

# SC9500HR Stairclimber

SC95-0102-01

## Parts Manual

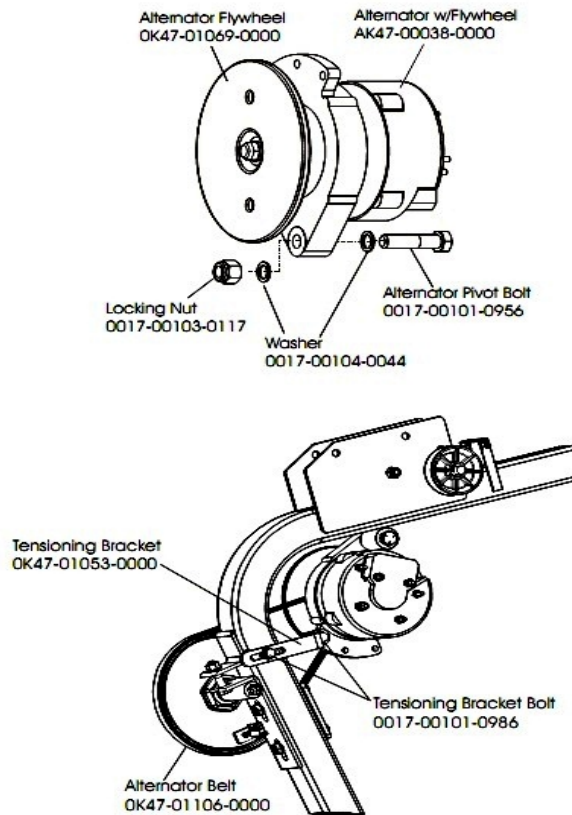
1/5/2019 16:30:14 PM

**Table of Contents**

---

[Alternator Assembly](#).....3  
[Cable - Sc9500](#).....4  
[Clutch Assembly - Lt.](#).....5  
[Console Overlay Bezel Assembly](#).....6  
[Crossover Pulley Assembly](#).....7  
[Frame Components](#).....8  
[General Assembly](#).....9  
[Guide Rollers](#).....10  
[Main Drive Pulley And Clutch](#).....11  
[Pcb And Resistor](#).....12  
[Pedal Assembly](#).....13  
[Polar Receiver Assembly](#).....15  
[Shrouds](#).....16

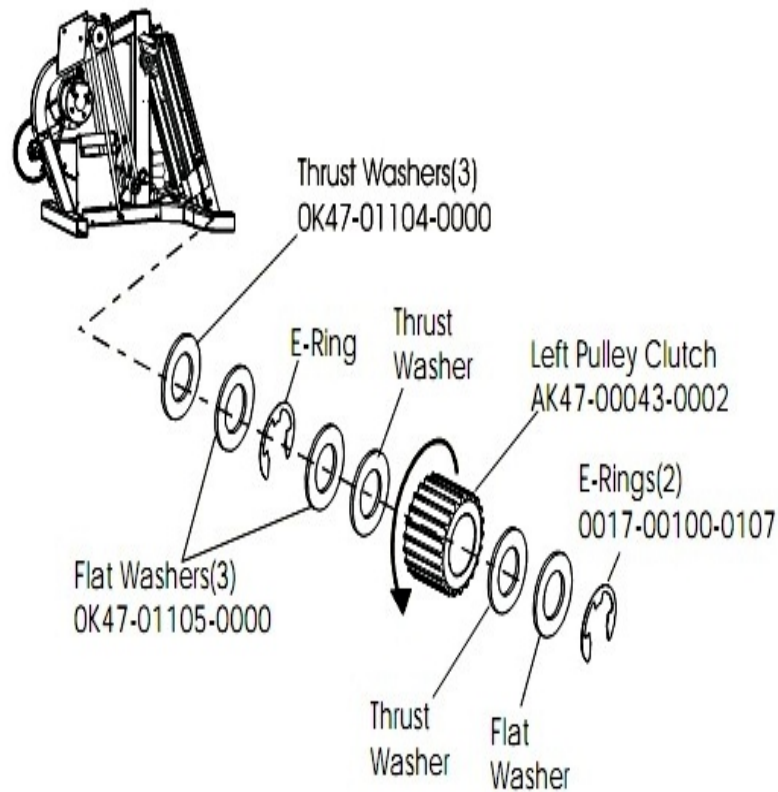
## Alternator Assembly



Ref #	Part Number	Qty	Description
-	0017-00101-0986	1	Hardware: Bolt 0.75"
-	0017-00103-0117	1	Hardware: Locking Nut 1/2" ID
-	AK47-00038-0000	1	Alternator with Flywheel
-	OK47-01230-0000	1	FLYWHEEL
-	OK47-01053-0000	1	Tensioning Bracket
-	OK47-01229-0000	1	BELT: POLY-V; 320J6; 32.00 IN.
-	0017-00101-0956	1	Hardware: Bolt 2"
-	0017-00104-0044	2	Hardware: Washer 0.75" OD

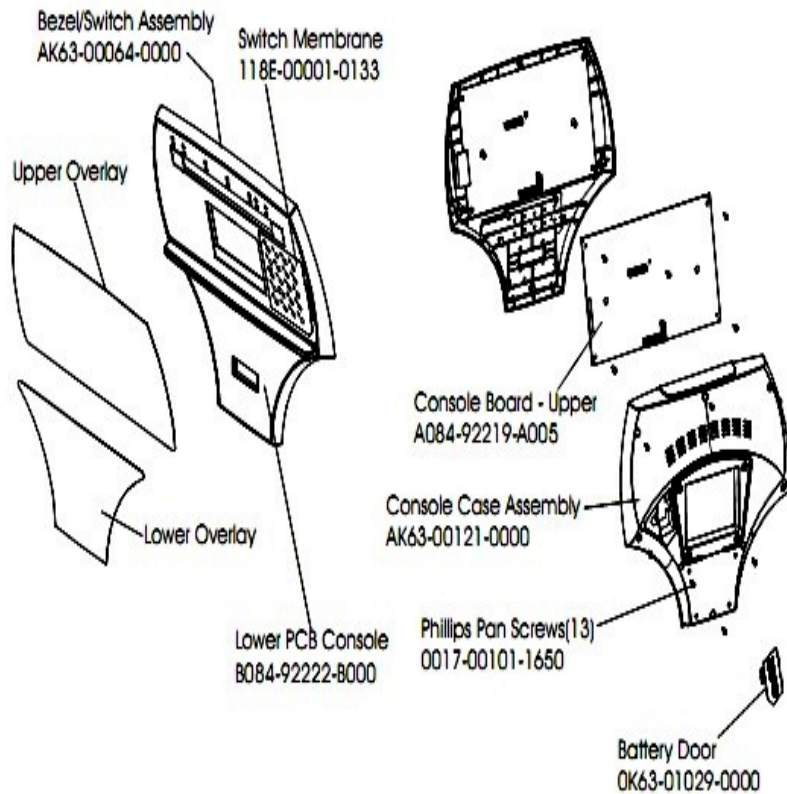


## Clutch Assembly - Lt



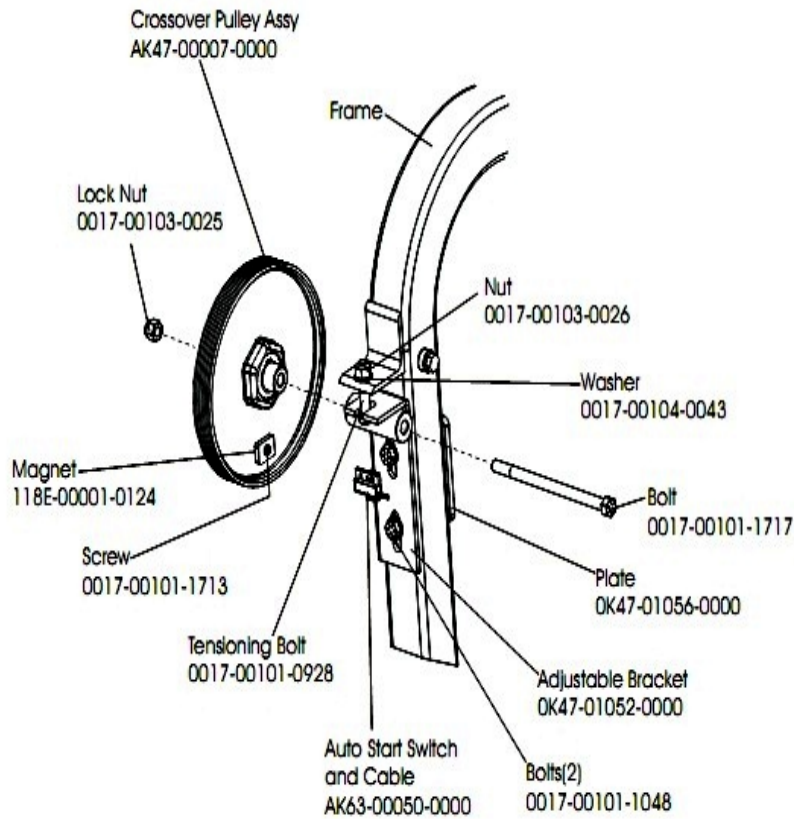
Ref #	Part Number	Qty	Description
-	AK47-00043-0002	1	Left Clutch Sprocket Assembly
-	OK47-01105-0000	3	Hardware: Hardened Thrust Washer
-	0017-00100-0107	2	Hardware: E-Ring 1"
-	OK47-01104-0000	3	Hardware: Thrust Washer

## Console Overlay Bezel Assembly



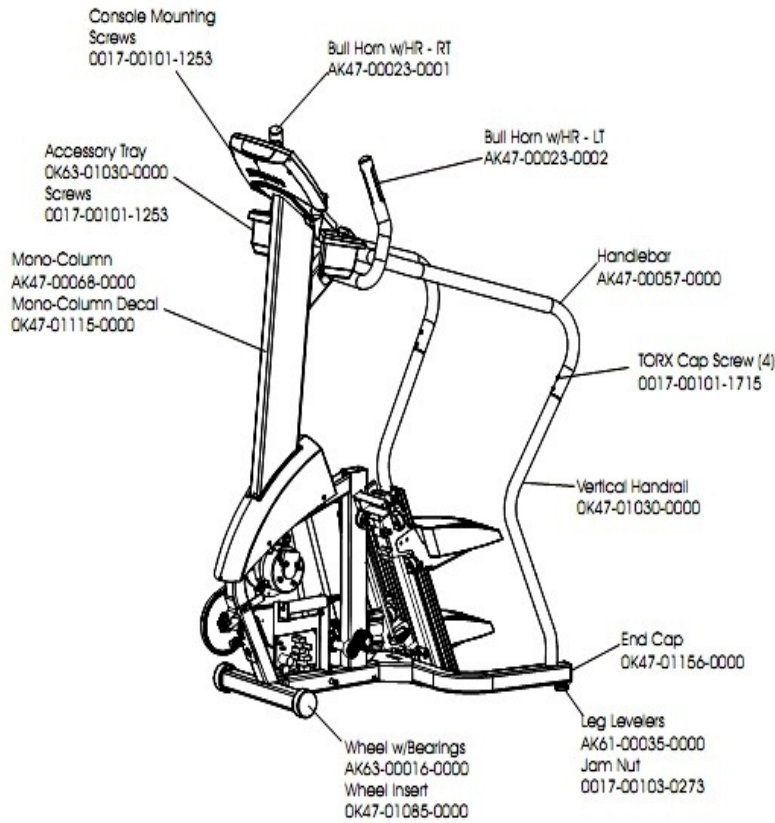
Ref #	Part Number	Qty	Description
-	OK63-01029-0000	1	Battery Door
-	AK47-00015-0001	1	Console English/Metric
-	118E-00001-0133	1	Switch Membrane
-	A084-92219-A005	1	Console Board - Upper
-	B084-92222-B000	1	Console Board - Lower
-	118E-00001-0140	1	Reed Switch SPDT
-	OK47-01005-0001	1	Lower Overlay English Metric
-	OK47-01128-0000	1	Track Cover Plate
-	OK47-01003-0001	1	Upper Overlay English Metric
-	AK47-00012-0001	1	Overlay Bezel English/Metric
-	AK63-00121-0000	1	Console Case Assembly
-	AK63-00064-0000	1	Bezel/Switch Assembly
-	0017-00101-1650	13	Hardware: Phillips Pan Screw 0.375"

## Crossover Pulley Assembly



Ref #	Part Number	Qty	Description
-	0017-00104-0043	1	Hardware: Flat Washer 0.734" OD
-	AK63-00050-0000	1	Reed Switch Bracket Assembly
-	AK47-00007-0000	1	Crossover Pulley Assembly
-	OK47-01052-0000	1	Intermediate Pulley Bracket
-	0017-00103-0026	1	Hardware: Hex Nut 3/8" ID
-	0017-00103-0025	1	Hardware: Locking Nut 3/8" ID
-	OK47-01056-0000	1	Plate
-	0017-00101-1713	1	Hardware: Screw
-	118E-00001-0124	1	Auto-Start Magnet
-	0017-00101-1048	2	Hardware: Bolt 3"
-	0017-00101-0928	1	Hardware: Tensioning Bolt 1.75"
-	0017-00101-1717	1	Hardware: Bolt 6"

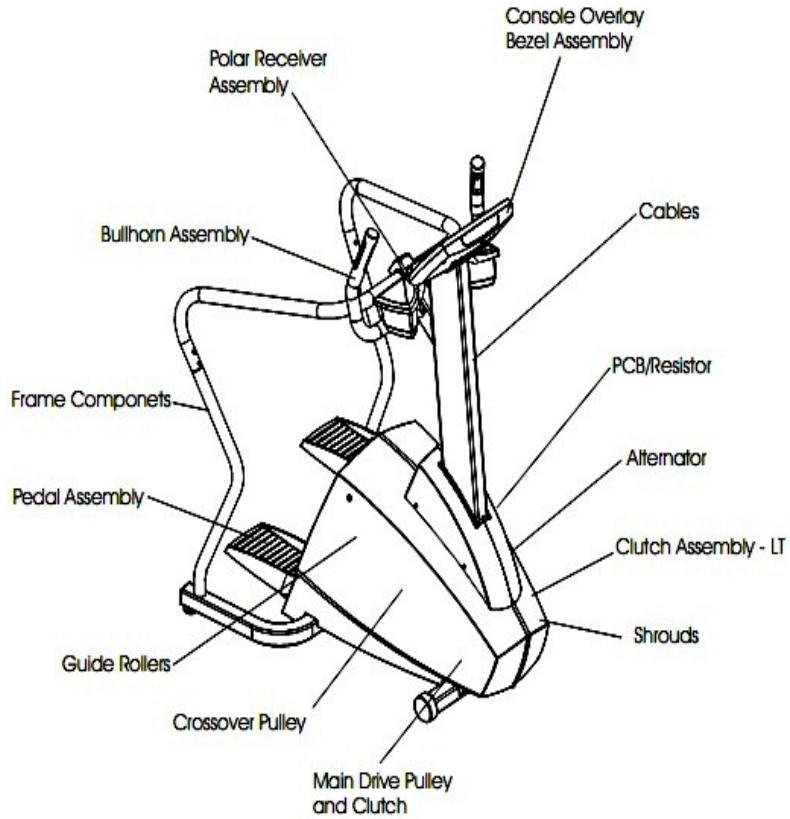
## Frame Components



Ref #	Part Number	Qty	Description
-	0017-00101-1253	12	Hardware: Screw
-	OK47-01085-0000	2	Wheel Insert
-	AK61-00035-0000	2	Leg Leveler
-	AK47-00068-0000	1	Mono-Column
-	AK47-00023-0002	1	Bullhorn with HR - Left
-	OK47-01156-0000	2	End Cap
-	AK47-00023-0001	1	Bullhorn with HR - Right
-	AK63-00016-0000	2	Wheel/Bearing Assembly
-	AK47-00057-0000	1	Handlebar
-	OK47-01115-0000	1	Mono-Column Decal
-	0017-00101-1715	4	Hardware: TORX Cap Screw 0.625"
-	0017-00103-0273	2	Hardware: Hex Nut 3/8" ID
-	OK47-01030-0000	2	Vertical Handrail
-	OK63-01030-0000	1	Accessory Tray

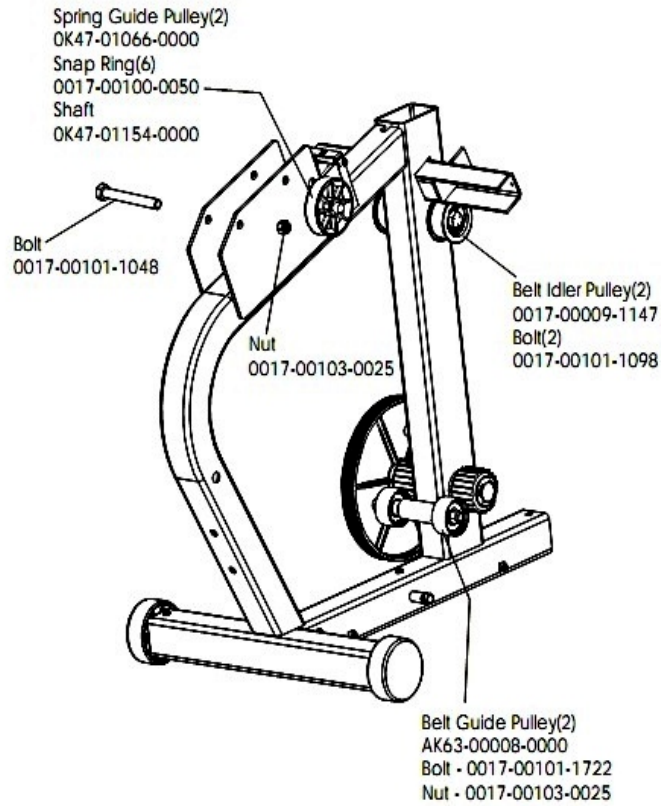
# General Assembly

---



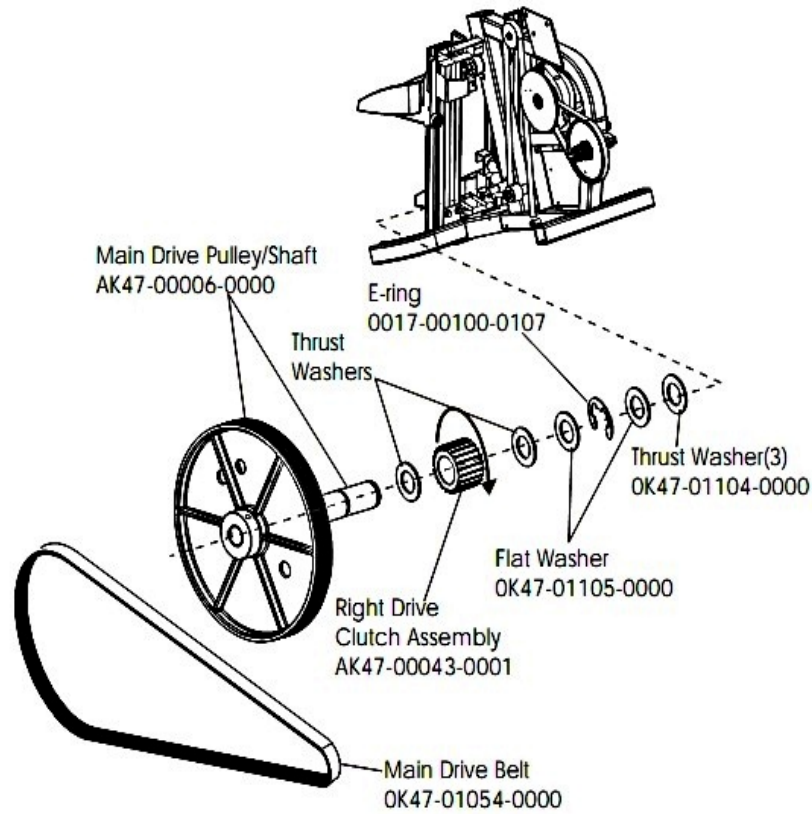
Ref #	Part Number	Qty	Description
-	AK47-00050-0000	1	Hardware Bag

## Guide Rollers



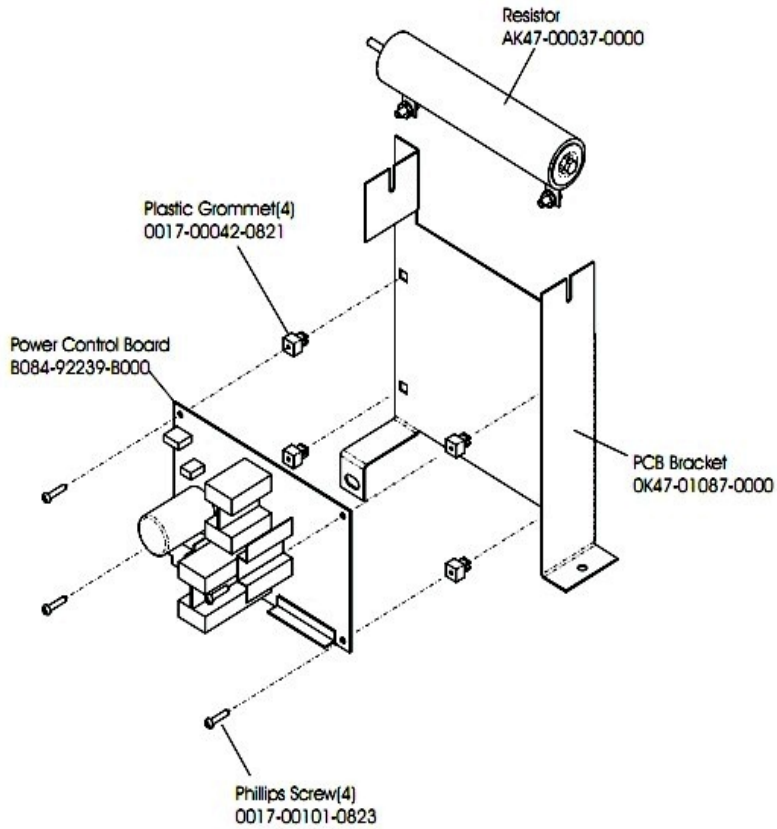
Ref #	Part Number	Qty	Description
-	OK47-01066-0000	2	Return Spring Pulley
-	0017-00101-1048	1	Hardware: Bolt 3"
-	0017-00101-1722	1	Hardware: Bolt 5"
-	0017-00103-0025	2	Hardware: Locking Nut 3/8" ID
-	0017-00009-1147	2	Belt Idler Pulley
-	0017-00100-0050	6	Hardware: E-Ring .5"
-	0017-00101-1098	2	Hardware: Bolt 1.5"
-	OK47-01154-0000	1	Spring Pulley Shaft
-	AK63-00008-0000	2	Idler w/Bearing

## Main Drive Pulley And Clutch



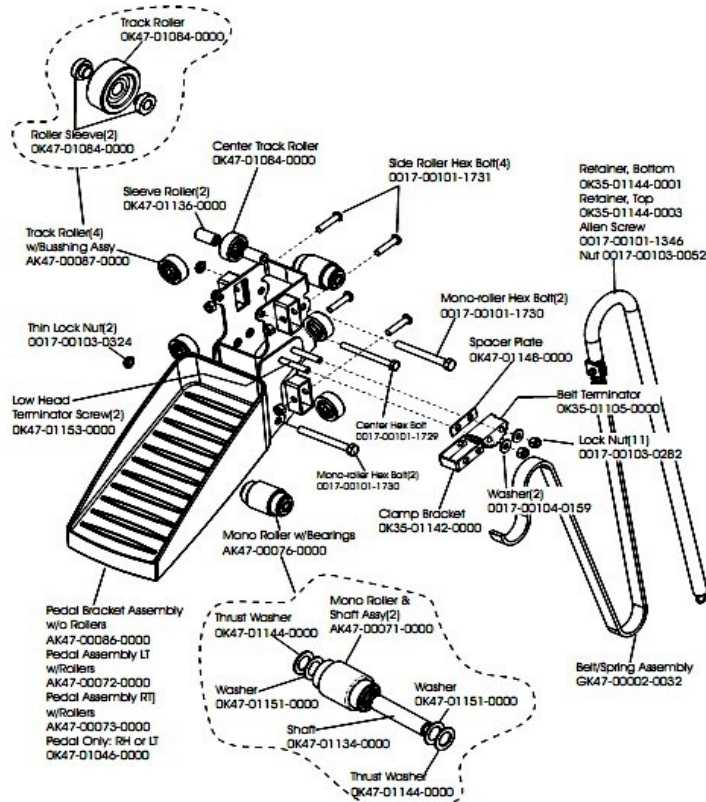
Ref #	Part Number	Qty	Description
-	AK47-00043-0001	1	Right Clutch Sprocket Assembly
-	OK47-01104-0000	3	Hardware: Thrust Washer
-	OK47-01105-0000	2	Hardware: Hardened Thrust Washer
-	AK47-00006-0000	1	Clutchshaft Pulley Assembly
-	GK47-00002-0036	1	KIT: STEPPER BELT AND PULLEY
-	0017-00100-0107	1	Hardware: E-Ring 1"

**Pcb And Resistor**



Ref #	Part Number	Qty	Description
-	AK47-00037-0000	1	Resistor Assembly
-	OK47-01087-0000	1	PCB Bracket
-	B084-92239-0000	1	PCB
-	0017-00042-0821	4	Hardware: Plastic Grommet
-	0017-00101-0823	4	Hardware: Screw 0.75"

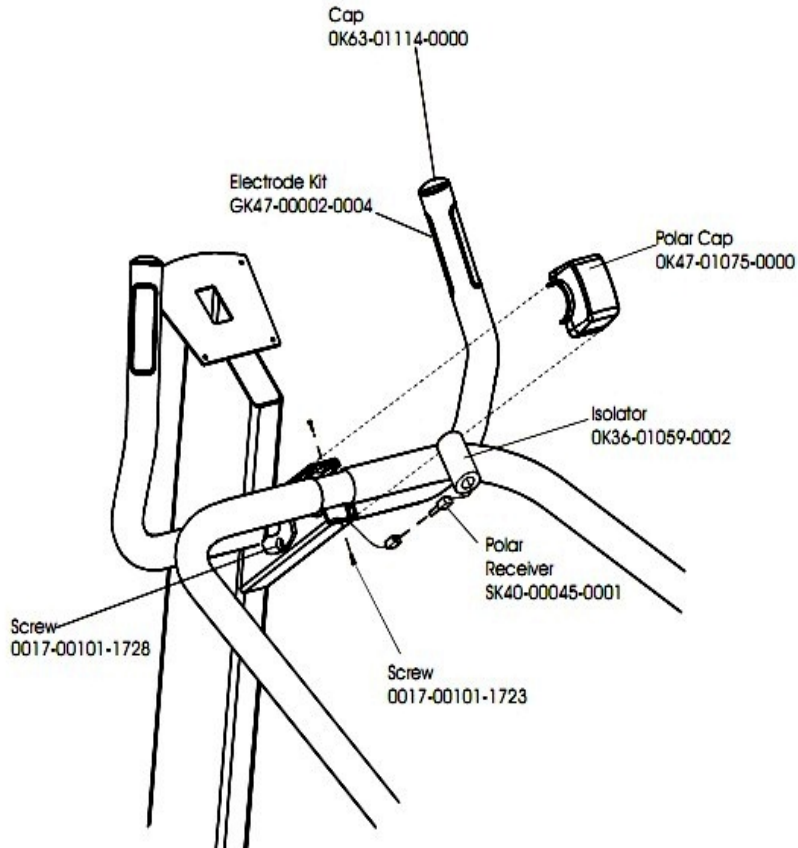
### Pedal Assembly



Ref #	Part Number	Qty	Description
-	0017-00103-0324	4	Hardware: Thin Lock Nut 3/8" ID
-	OK35-01105-0000	2	Hardware: Belt Terminator
-	OK35-01144-0003	2	Retainer: Belt; Top
-	OK47-01046-0000	2	Pedal Only: RH or LT
-	AK47-00073-0000	1	Pedal Assembly with Rollers - Right
-	OK47-01144-0000	4	Hardware: Thrust Washer
-	OK47-01153-0000	4	Hardware: Screw
-	OK47-01136-0000	4	Roller Sleeve
-	OK47-01148-0000	2	Hardware: Spacer Plate
-	0017-00104-0159	4	Hardware: Flat Washer 0.75" OD
-	0017-00103-0282	22	Hardware: Locking Nut 5/16" ID
-	0017-00101-1346	2	Hardware: Allen Screw
-	0017-00101-1609	8	Hardware: Side Roller Hex Bolt 1.5"
-	0017-00101-1729	2	Hardware: Center Hex Bolt 3.5"
-	0017-00101-1730	8	Hardware: Mono-roller Hex Bolt 3.5"
-	0017-00103-0052	2	Hardware: Locking Nut ID
-	AK47-00076-0000	2	Mono-Rollers w/Bearings
-	OK47-01084-0000	8	Side Track Roller
-	AK47-00071-0000	4	Mono Roller and Shaft Assembly
-	OK35-01142-0000	2	Hardware: Bracket
-	OK35-01144-0001	2	Retainer: Belt; Bottom
-	AK47-00087-0000	8	Side-Roller with Bushing Assembly

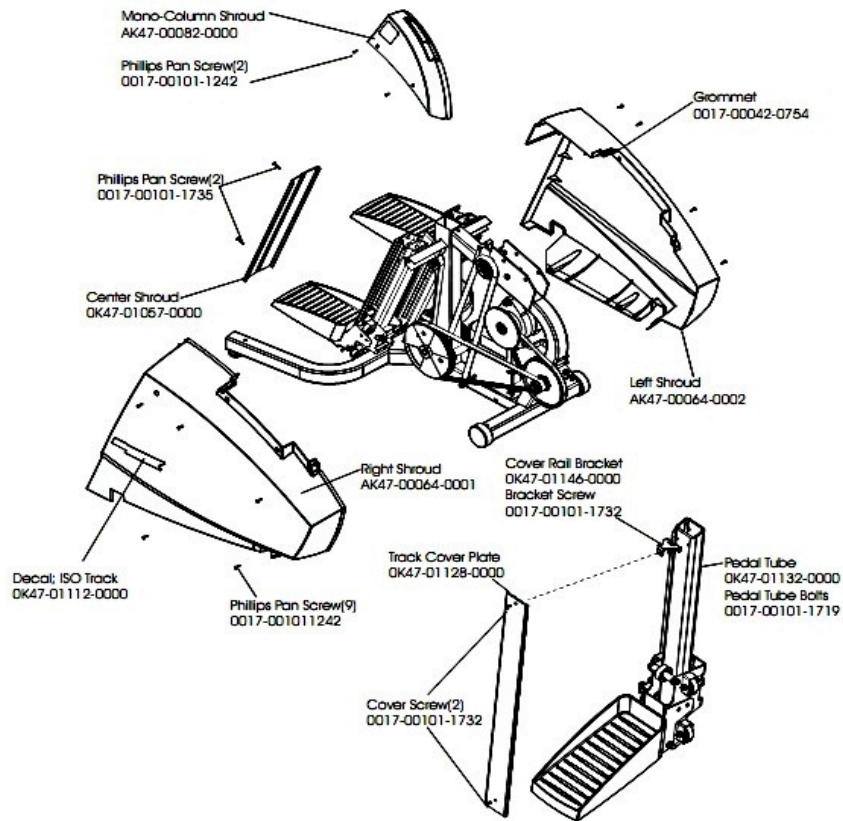
<b>Ref #</b>	<b>Part Number</b>	<b>Qty</b>	<b>Description</b>
-	AK47-00072-0000	1	Pedal Assembly with Rollers - Left
-	OK47-01134-0000	2	Roller Shaft
-	OK47-01151-0000	4	Hardware: Hardened Thrust Washer
-	AK47-00086-0000	2	Pedal Bracket Assembly without Rollers
-	GK47-00002-0032	2	Belt/Spring Assembly

## Polar Receiver Assembly



Ref #	Part Number	Qty	Description
-	OK36-01059-0002	1	Insulator Receiver Tube
-	SK40-00045-0001	1	Polar HR Kit
-	0017-00101-1844	2	Hardware: Screw
-	OK47-01075-0000	1	Polar Cap
-	OK63-01114-0000	1	Cap
-	0017-00101-1723	2	Hardware: Phillips Pan Screw 0.375"
-	GK47-00002-0004	1	Electrode Kit

### Shrouds



Ref #	Part Number	Qty	Description
-	0017-00101-1732	6	Hardware: I-pod Bracket Mounting Screw 0.375"
-	AK47-00082-0000	1	Mono-Column Shroud
-	0017-00042-0754	2	Hardware: Grommet
-	OK47-01112-0000	2	Decal
-	OK47-01146-0000	2	Cover Rail Bracket
-	AK47-00064-0002	1	Shroud with Decal - Left
-	OK47-01132-0001	2	Pedal Tube
-	0017-00101-1719	2	Hardware: Pedal Tube Mounting Bolt 0.75"
-	OK47-01165-0001	1	Center Shroud
-	0017-00101-1242	11	Hardware: Phillips Pan Screw 0.75"
-	0017-00101-1735	2	Hardware: Phillips Pan Screw
-	AK47-00064-0001	1	Shroud with Decal - Right
-	OK47-01128-0000	1	Track Cover Plate

