

Signature Series - Single Tier Dumbbell Ra

SDR1

Parts Manual

1/5/2019 16:33:05 PM



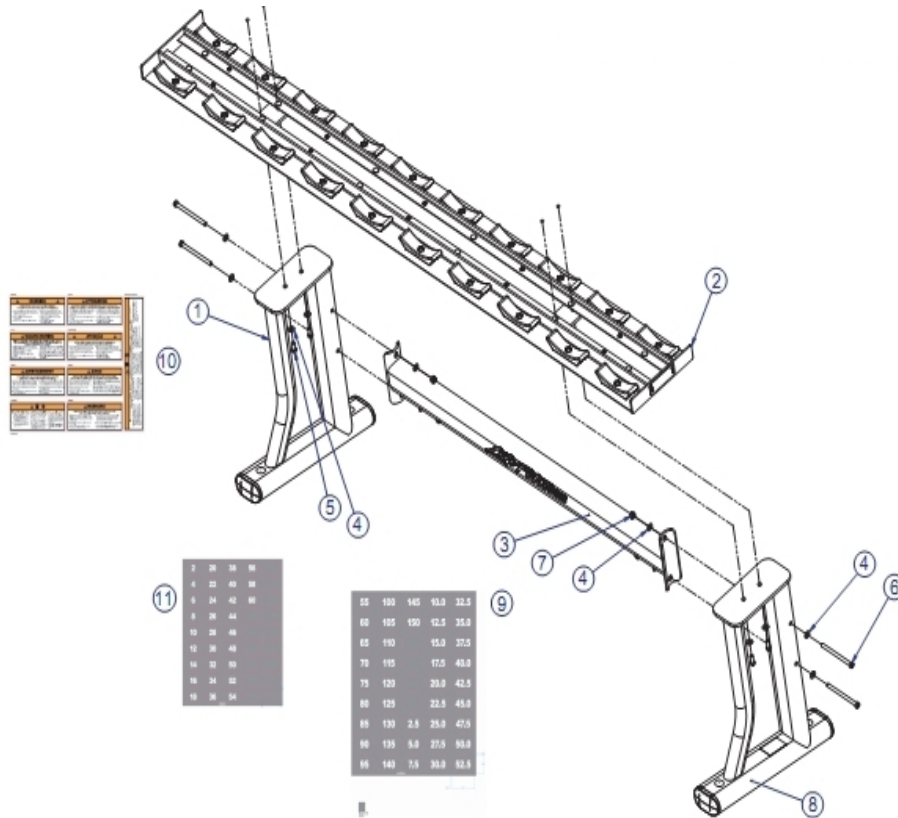


Table of Contents

Component Assembly	3
Cross Member Assembly	4
Left Upright Assembly	5
Right Upright Assembly	6
Tray Assembly	7

** Upholstery & Frame Colors are listed at the end of the Parts Manual **

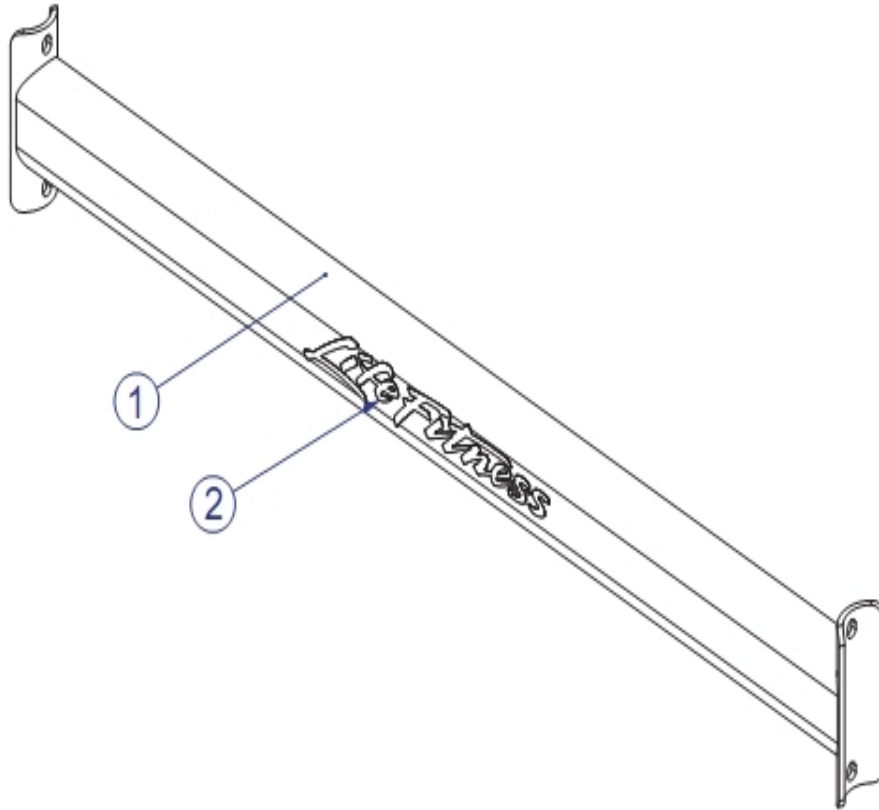
Component Assembly



Ref #	Part Number	Qty	Description
1	7888999	1	Painted Assembly, SDR1, Right Upright Custom
2	7811595	1	Weldment SDR Tray
3	8230599	1	Assembly, SDR1, Cross Member Custom
4	3102514	12	Hardware: Flat Washer 3/8" ID
5	LEA3256202	4	Hardware: Screw 25MM
6	3256221	4	Hardware: Screw 135MM
7	LEA3242002	4	Hardware: Hex Nut 10MM D
8	8187699	1	Painted Assembly, SDR1, Left Upright Custom
9	8038701	1	Label Set Dumbbell Rack
10	8137701	1	Warning Label - Multi-Language Horizontal
11	8032601	1	Label Set Dumbbell Rack KG

** Upholstery and Frame Colors are list at the end of the Parts Manual **

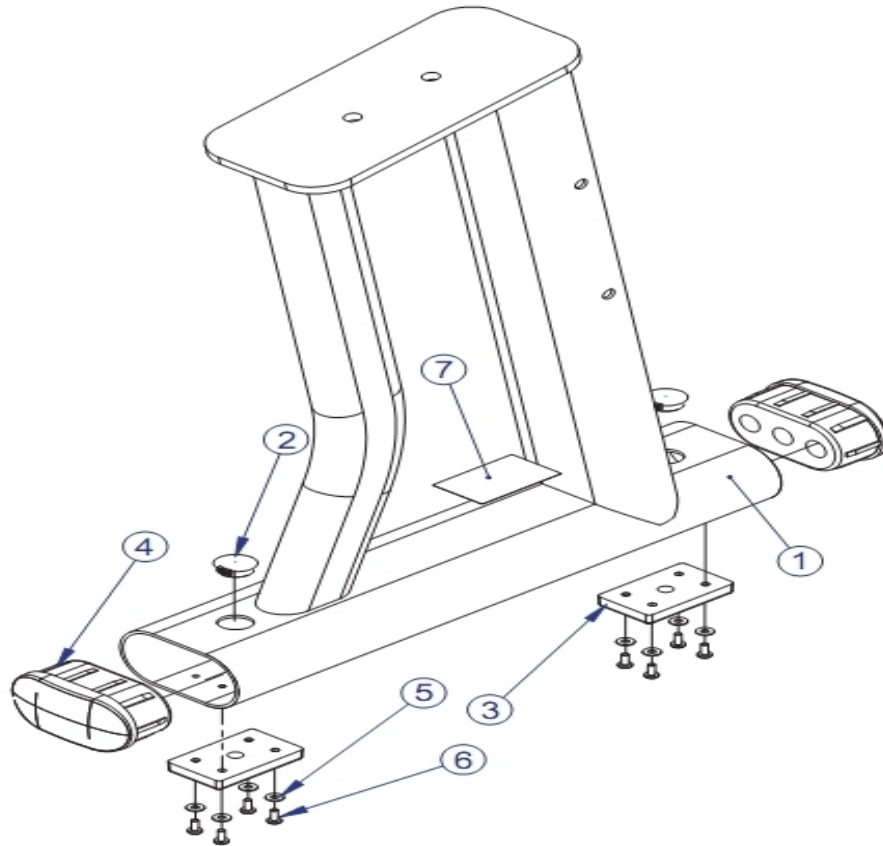
Cross Member Assembly



Ref #	Part Number	Qty	Description
1	8230599	1	Assembly, SDR1, Cross Member Custom
2	7348001	1	Label Life Fitness Logo

** Upholstery and Frame Colors are list at the end of the Parts Manual **

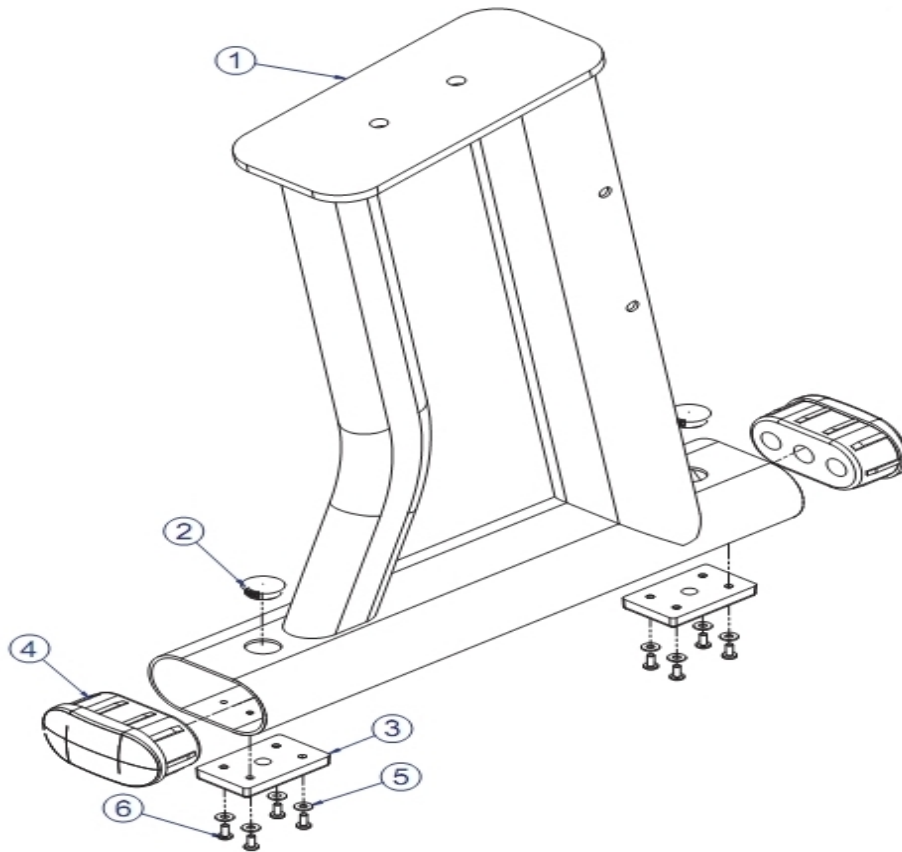
Left Upright Assembly



Ref #	Part Number	Qty	Description
1	8187699	1	Painted Assembly, SDR1, Left Upright Custom
2	3237403	2	Plug 1" Hole
3	7810801	2	Rubber Foot Pad
4	7800401	2	Large Cap
5	3114407	8	Hardware: Flat Washer
6	LEA3239102	8	Hardware: Screw
7	7094101	1	NLA: LABEL, SERIAL NUMBER

** Upholstery and Frame Colors are list at the end of the Parts Manual **

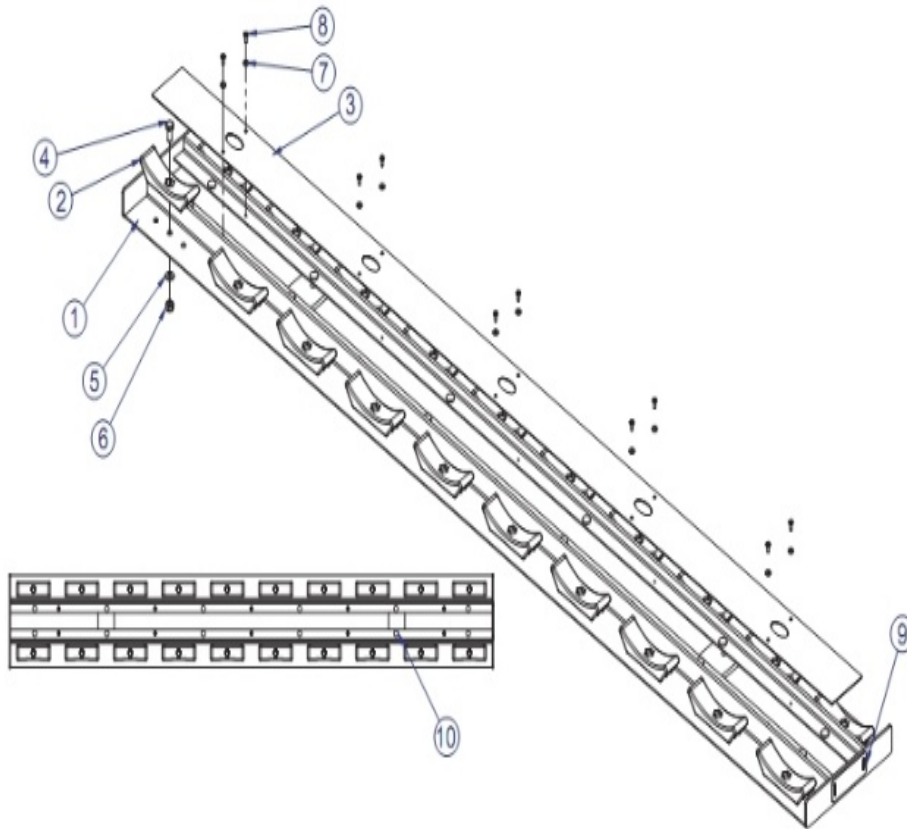
Right Upright Assembly



Ref #	Part Number	Qty	Description
1	7888999	1	Painted Assembly, SDR1, Right Upright Custom
2	3237403	2	Plug 1" Hole
3	7810801	2	Rubber Foot Pad
4	7800401	2	Large Cap
5	3114407	8	Hardware: Flat Washer
6	LEA3239102	8	Hardware: Screw

** Upholstery and Frame Colors are list at the end of the Parts Manual **

Tray Assembly



Ref #	Part Number	Qty	Description
1	7811495	1	Weldment SDR Tray
2	7811601	20	Dumbbell Cradle
3	7811201	1	SDR Tray cover
4	3260802	20	Hardware: Bolt 25MM
5	3102514	20	Hardware: Flat Washer 3/8" ID
6	LEA3242002	20	Hardware: Hex Nut 10MM D
7	3114407	10	Hardware: Flat Washer
8	LEA3239102	10	Hardware: Screw
9	LEA7002501	1	Warning Label Horizontal
10	3255401	12	Bumper Felt

** Upholstery and Frame Colors are list at the end of the Parts Manual **

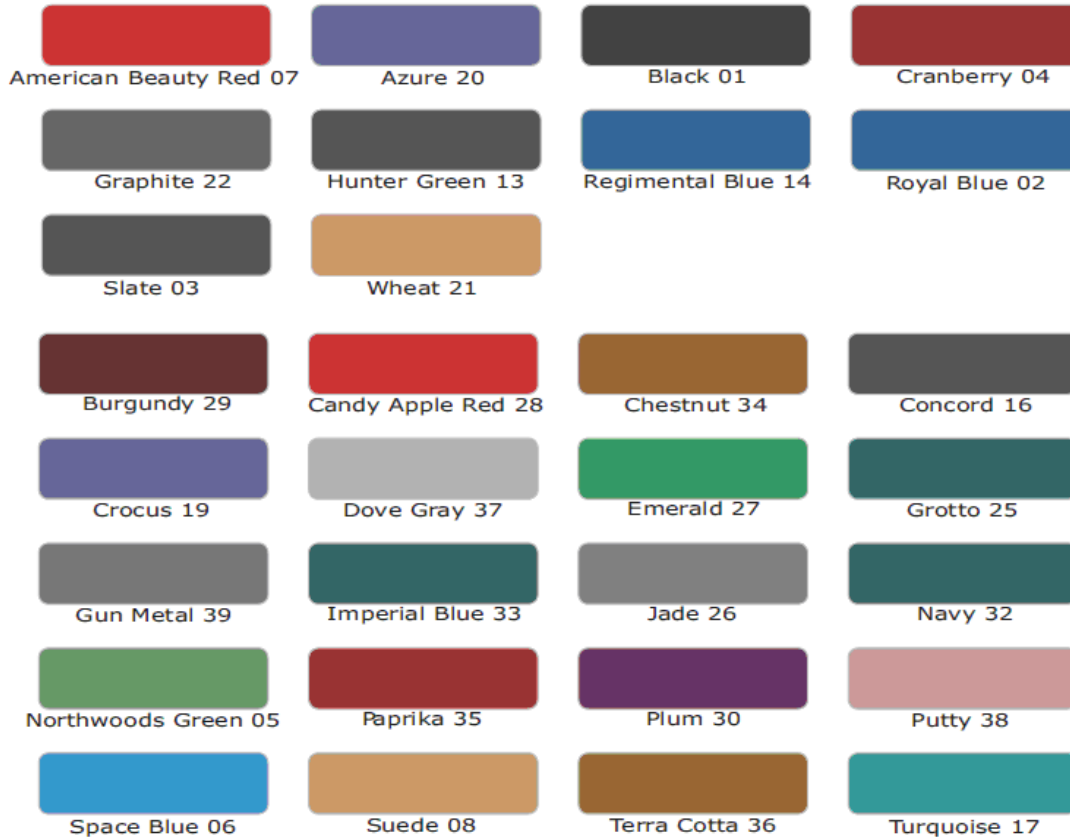
Frame and Upholstery Color Chart

Frame Colors



Note: Include frame color in order notes when ordering frame assemblies or weldments.

Upholstery Colors



Replace '99' with the above color suffix when ordering pads (i.e. 7412399 = 7412301 BLACK)

