

Strength Leg Extension

SL20

Parts Manual

1/5/2019 16:34:32 PM

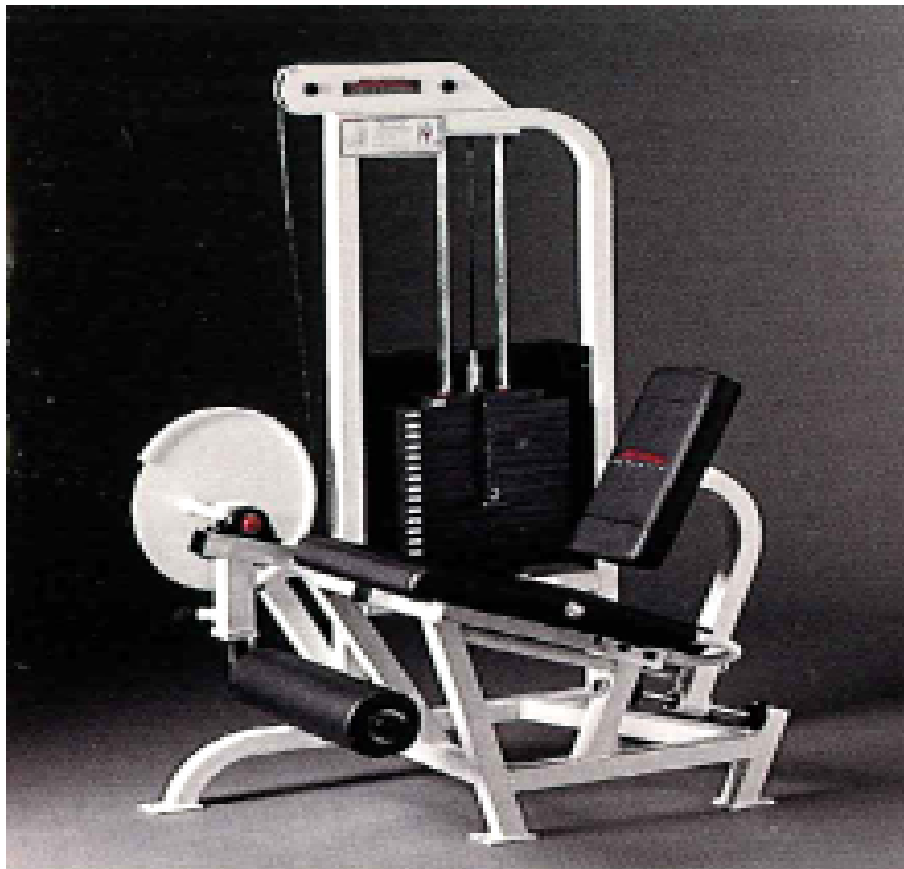
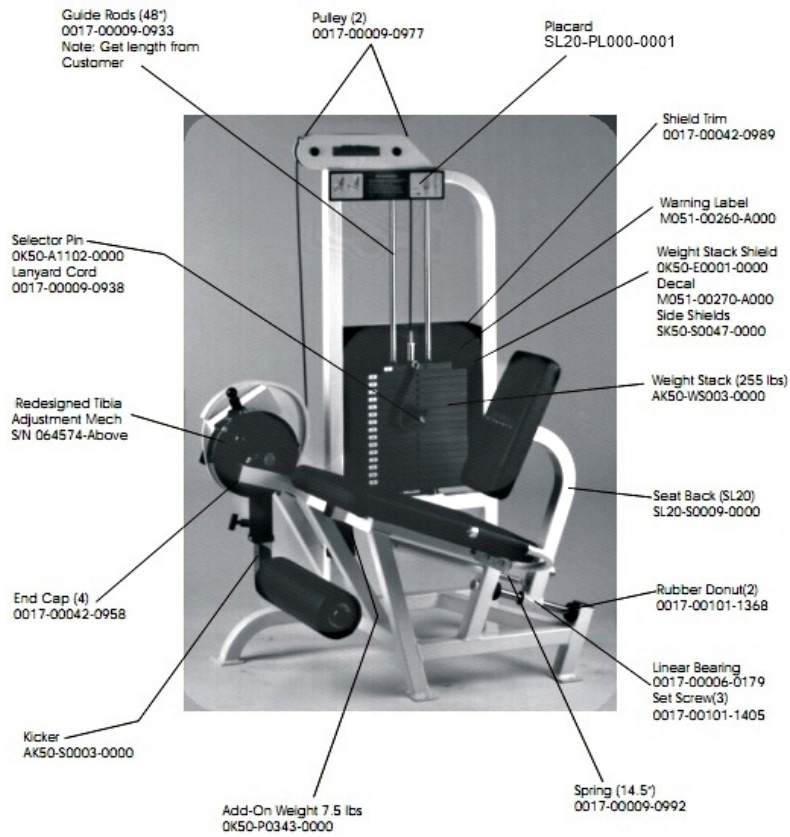


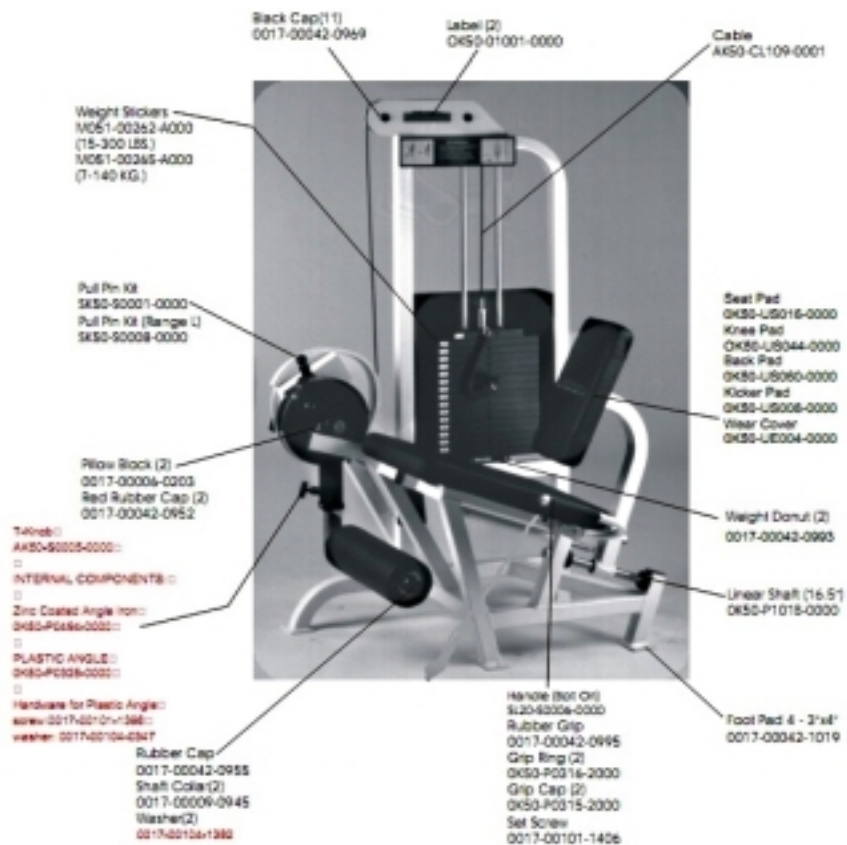
Table of Contents

[Components Assembly](#).....3
[Tibia Adjustment Mechanism](#).....6
[Under Seat Bearing Housing](#).....7
[Workarms and Kickers](#).....8

** Upholstery & Frame Colors are listed at the end of the Parts Manual **

Components Assembly



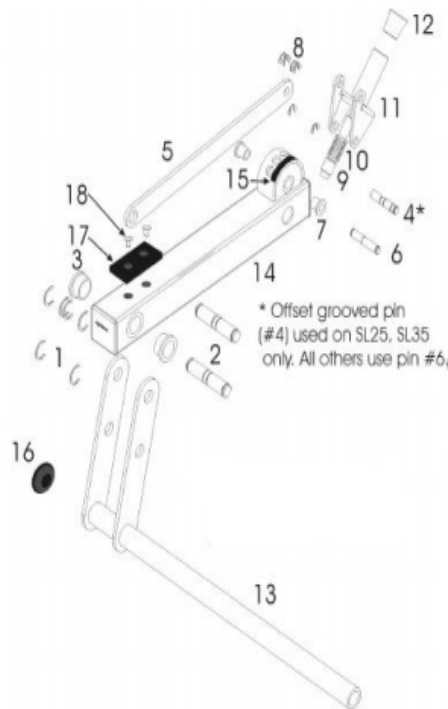


Ref #	Part Number	Qty	Description
-	0017-00009-0992	1	Spring: 14-1/4" N/D
-	0017-00042-0993	2	3/4" Donut Cap
-	0017-00101-1405	3	Hardware: 10-32 X 1/4 Screw
-	0K50-US008-0000	1	Upholstery Sub Roller; Strength
-	AK50-CL109-0001	1	109" Cable with Ball; Strength
-	M051-00270-A000	1	Shield Decal; Strength
-	SK50-S0008-0000	1	2.75 PPK; SL25 SL45 Range LIM
-	0017-00006-0203	2	Slotted 1.0" ID Pillow Block Bearing (Slot 11/16"
-	0017-00042-0989	1	NLA: **BLACK SHIELD TRIM
-	0017-00101-1368	2	Cushion: Rubber Donut 1" ID .75 Thick
-	0017-00101-1406	1	Hardware: 10-32 X 1/8; Set Screw
-	0K50-P0494-0000	1	Zinc Coated Angle For Kickers
-	SL20-S0009-0000	1	Weldment, Seat Back
-	0K50-P0315-2000	2	Cap; Grip
-	0K50-P0325-0000	1	PLSTK Angle; 0K50; Strength
-	0K50-P101B-0000	1	**Linear Shaft 16.5" Drilled
-	7353001	1	Hardware: Assembly Selector Pin
-	0K50-A1102-0000	1	Magnitized Weight Stack Pin with Lanyard and Ring For Customer Service
-	0017-00042-1209	1	1" ID Grip
-	0017-00042-0955	1	Cap; Rubber; 1.750X1.0
-	0017-00042-0958	4	Endcap: Black; 2 IN X 2 IN; Life Fitness-Strength
-	0K50-US044-0000	1	Upholstery Sub Knee; SL45; Strength
-	AK50-S0005-0000	1	T-Knob; Strength
-	AK50-WS014	1	255LB WS W/ NEW RED & 1.06 PLT
-	SL20-PL000-0001	1	Placard; L/E; English; Strength
-	3237801	2	Pulley 4.5" OD
-	0017-00009-0933	1	Chrome Rod: 3/4" Get Length From Customer
-	0017-00042-0969	11	Finishing Cap - Large (RH20)

Ref #	Part Number	Qty	Description
-	0017-00042-1019	1	3"X4" Foot Pad; Strength
-	0017-00104-1382	2	Hardware: 1 3/8" SAE F/W ZC
-	0K50-P0316-2000	2	Collar: 1" ID Collar
-	0K50-P0343-0000	1	NLA: ADD ON WEIGHT 7.5 LB STR INUED
-	M051-00293-B000	1	Decal: ASTM Warning Label
-	0017-00006-0179	1	Bearing SSOPN16 LE/LC
-	0017-00042-0954	2	Red, Rubber Bearing Cap
-	0017-00104-0347	1	Hardware: Washers 260-.487-062 SP-D ST ZN B
-	0K50-E0001-0000	1	NLA: /SHIELD; L/E; L/C; STD PRESS
-	0K50-US016-0000	1	Upholstery Sub; L/E Seat; Strength
-	M051-00265-A000	1	Kilogram Regular 7-140 INC-7
-	0017-00009-0945	2	Collar:1.270" ID Shaft N/D
-	0017-00101-1396	1	Hardware: 1/4 -20X 8 HXS BUT BLT; Strength
-	M051-00262-A000	1	Manual: Pound Regular 15-300 INC-15
-	SK50-S0001-0000	1	2.75" Pull Pin Kit; Gen Purchased
-	SK50-S0047-0000	1	2.5" New 9000 Shield Retro Kit
-	SK50-S0122-0000	1	#1 Kicker Service Kit
-	SL20-S0006-0000	1	Sub Bolt On Handle
-	0K50-UE004-0000	1	Wear Cover; Strength

** Upholstery and Frame Colors are list at the end of the Parts Manual **

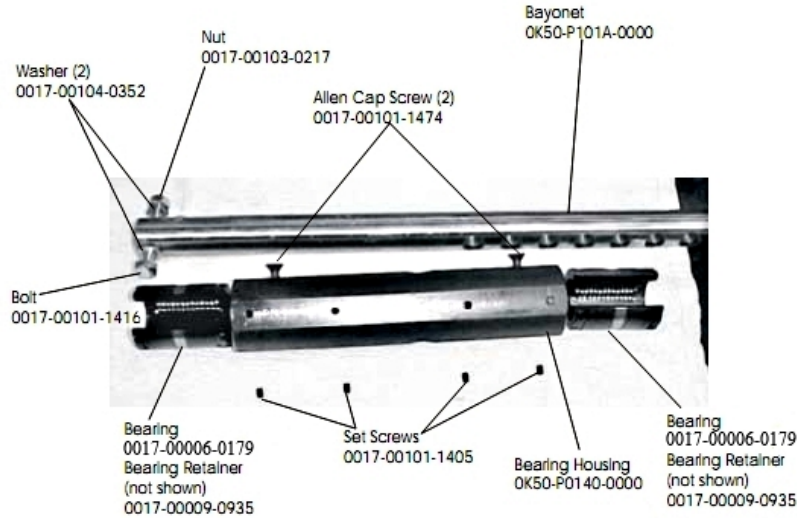
Tibia Adjustment Mechanism



Ref #	Part Number	Qty	Description
1	0017-00100-0192	6	3/4" C Clip
2	0K50-P0544-0000	2	Hardware: .750" Clip Pin
3	0017-00009-0929	2	Spacer: Flange: 3/4" ID Oilite Bushing N/D
5	0K50-P0553-0000	1	Kicker Linkage
7	0017-00009-0931	2	Spacer: Flange: 7/16" Id Type Brass BU N/D
8	0017-00100-0191	6	Ring: 7/16" C Clip
9	0K50-P0121-0000	1	Hardware: Pull Pin Multi Use; Strength
10	0017-00009-0994	1	Spring: PP Large; Strength N/D
10	7351501	1	Pull Pin Spring
11	AK50-S0030-0000	1	Pull Pin Bracket
12	0017-00009-1077	1	Knob: Black, 3/8-16 Insert N/D
13	AK50-S0031-0000	1	Roller Pad Rocker Arm
14	SL20-S0011-0000	1	SL20 Kicker/Cam Sub
15	M051-00360-A000	1	Decal: Tibia Pad Adjustment Number Strip
16	0017-00009-1091	1	Cap; Flush; 7/8 ID Tube N/D
17	0017-00042-1032	1	1.50 X 2.31 X .50 Thick Bumper
18	0017-00072-0136	2	Hardware: RVT POP 193X.550X5/8 H SS NO

** Upholstery and Frame Colors are list at the end of the Parts Manual **

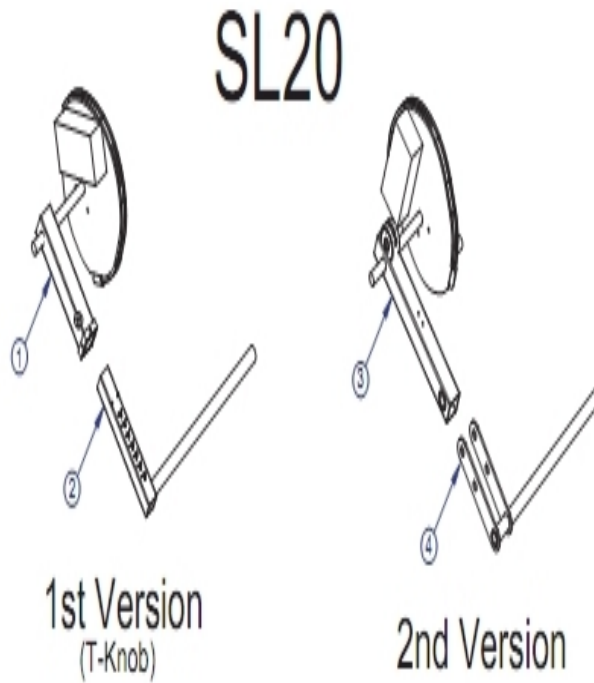
Under Seat Bearing Housing



Ref #	Part Number	Qty	Description
-	OK50-P0140-0000	1	Leg Ext/Leg Curl Bearing Housing
-	0017-00104-0352	2	Hardware: Washer 375-.734-065 FL-D ST ZN B
-	0017-00009-0935	1	Clip; Bearing Retaining N/D
-	OK50-P101A-0000	1	**Linear Shaft 19.25" Drilled
-	0017-00101-1405	1	Hardware: 10-32 X 1/4 Screw
-	0017-00103-0217	1	Hardware: Nut 3/8 -16 Thin D ST ZN B
-	0017-00101-1416	1	Hardware; SU25; 3/8-16X32 HEX
-	0017-00101-1474	2	Hardware: 1/4-20 X 8 HXS FLT BLT G5 ZN B
-	0017-00006-0179	1	Bearing SSOPN16 LE/LC

** Upholstery and Frame Colors are list at the end of the Parts Manual **

Workarms and Kickers



Ref #	Part Number	Qty	Description
3	SL20-S0011-0000	1	SL20 Kicker/Cam Sub
4	AK50-S0031-0000	1	Roller Pad Rocker Arm

** Upholstery and Frame Colors are list at the end of the Parts Manual **

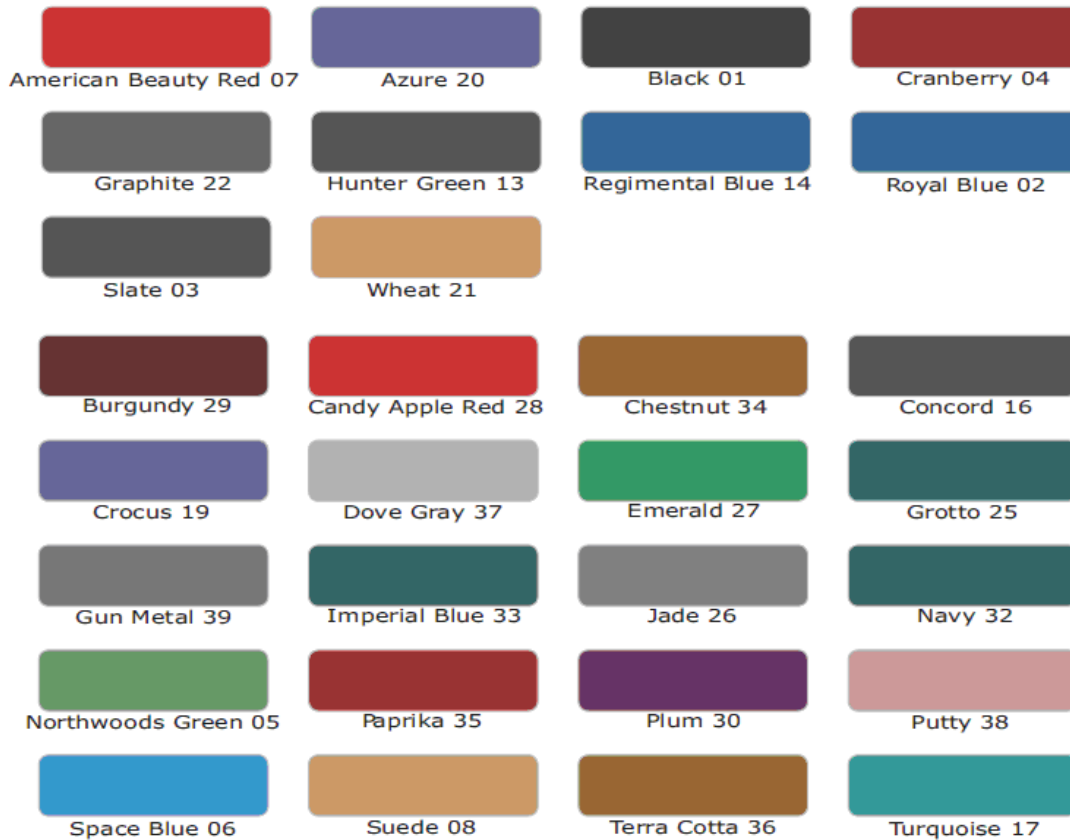
Frame and Upholstery Color Chart

Frame Colors



Note: Include frame color in order notes when ordering frame assemblies or weldments.

Upholstery Colors



Replace '99' with the above color suffix when ordering pads (i.e. 7412399 = 7412301 BLACK)

