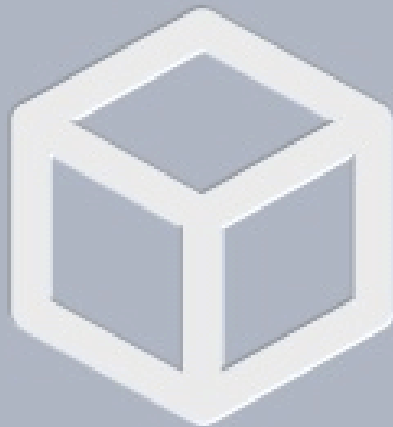


DUAL PULLEY Pulldown

SM15

Parts Manual

1/5/2019 16:37:23 PM



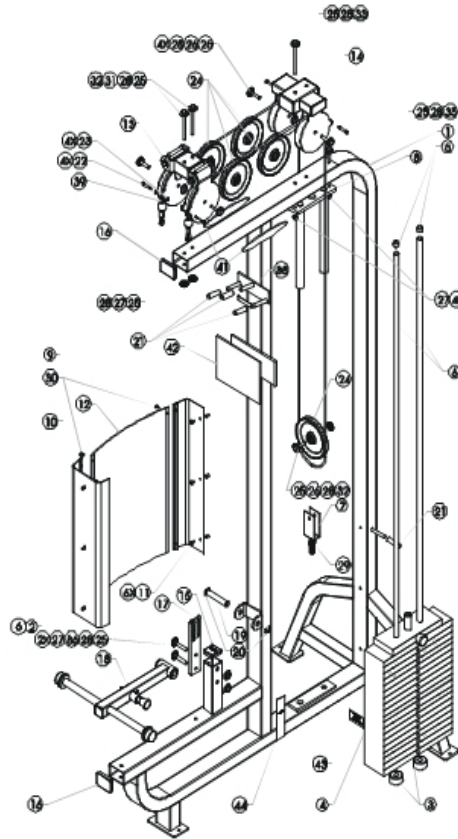
NO IMAGE AVAILABLE

Table of Contents

[Component Assembly](#).....3
[Front Pulley](#).....5
[Lat Bar](#).....6
[Rear Pulley](#).....7
[Thigh Resistant](#).....8

** Upholstery & Frame Colors are listed at the end of the Parts Manual **

Component Assembly

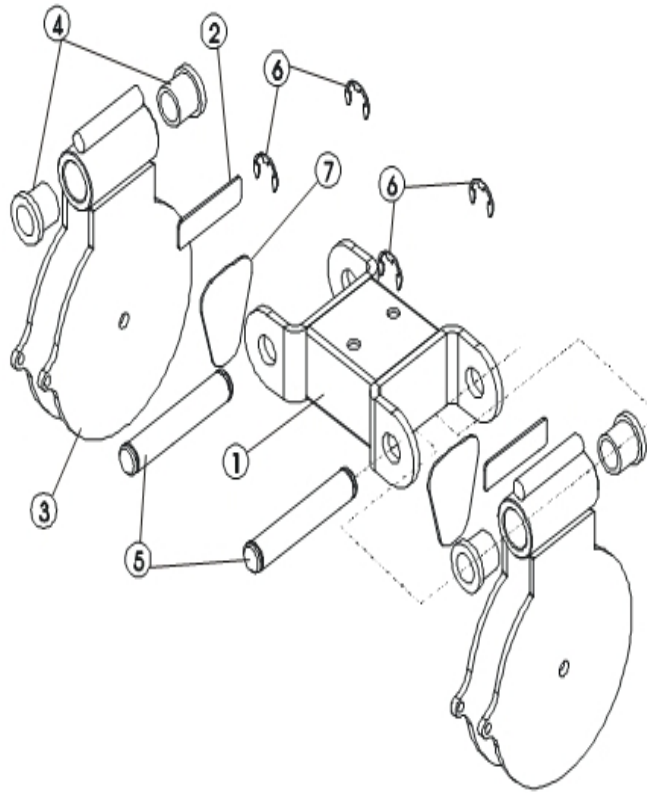


Ref #	Part Number	Qty	Description
1	SM15-FAB00-0000	1	WELDMENT, SM15 MAIN FRAME
2	0017-00103-0212	6	Hardware: Nut 10-24 Nutsert D ST ZN B
3	0017-00042-0993	2	3/4" Donut Cap
4	AK50-WS015	1	300LB WS W/ NEW RED & 1.06 PLT
5	0017-00042-0967	2	3/4" Rod Cap
6	0017-00009-0933	2	Chrome Rod: 3/4" Get Length From Customer
7	AK50-S0006-0000	1	Floating Pulley Housing; Strength
8	AK50-S0033-0000	1	NLA: TOP PLATE STOP
9	0K50-E0038	1	2.5" Standard Side Shield
10	0K50-E0039	1	2.5" Wrap Side Shield
11	0017-00101-1616	6	Hardware: 10-24 X 8 PHI PAN ST ZN B
12	0K50-E0041	1	Pro Series Plastic Shield with Silk Screen
15	0017-00042-0958	1	Endcap: Black; 2 IN X 2 IN; Life Fitness-Strength
16	0017-00042-0959	2	Cap; For Tubing; 2"X3"; Strength
19	FB31-M0038-0000	2	Bench Axle 4 3/8"
20	0017-00009-1028	2	E-Clip: .75" Shaft N/D
21	0017-00009-0947	4	Cover: Peg N/D
22	0017-00101-1392	4	Hardware: 1/4 Shoulder Bolt; Strength
23	0017-00103-0228	4	Hardware: Nut 10-24 HEX D ST ZN B
24	0017-00009-0978	5	Pulley: 6" N/D
25	0017-00104-0368	20	Hardware: Flanged Finishing Washer - Large (RHW205)
26	0017-00101-1413	5	Hardware; 3/8 16X28 UNS HEX; STR

Ref #	Part Number	Qty	Description
27	0017-00103-0217	11	Hardware: Nut 3/8 -16 Thin D ST ZN B
28	0017-00042-0969	20	Finishing Cap - Large (RH20)
29	0017-00103-0234	1	Hardware: Nut 9/16-12 JAM D ST ZN B
30	0017-00101-1587	2	Hardware: RVT 201X0413X.354 T NY NO
31	0017-00101-1567	2	Hardware: 3/8 -16X68 UNS HEX BLT G5 ZN B
32	0017-00104-0313	4	Hardware: 3/8 Flat Washer; Strength
33	0017-00101-1506	1	Hardware: 3/8 -16X80 UNS HEX BLT G8 ZN B
35	0017-00101-1422	1	Hardware: 3/8 -16X48 UNS HEX BLT G5 ZN B
36	0017-00101-1417	2	Hardware: 3/8 -16X40 UNS HEX BLT
38	0K50-P0569-0000	1	NLA: PROTECTIVE STRIP
39	AK50-CL190-0409	1	Assembly, SM15 Cable
40	0017-00104-0352	2	Hardware: Washer 375-.734-065 FL-D ST ZN B
41	0K50-01001-0004	2	Decal: Name Plate 9 1/4" Chrome Plated Plastic
43	M051-00293-B000	1	Decal: ASTM Warning Label
44	M051-00335-A000	1	Warning Decal 9000 Vertical.

** Upholstery and Frame Colors are list at the end of the Parts Manual **

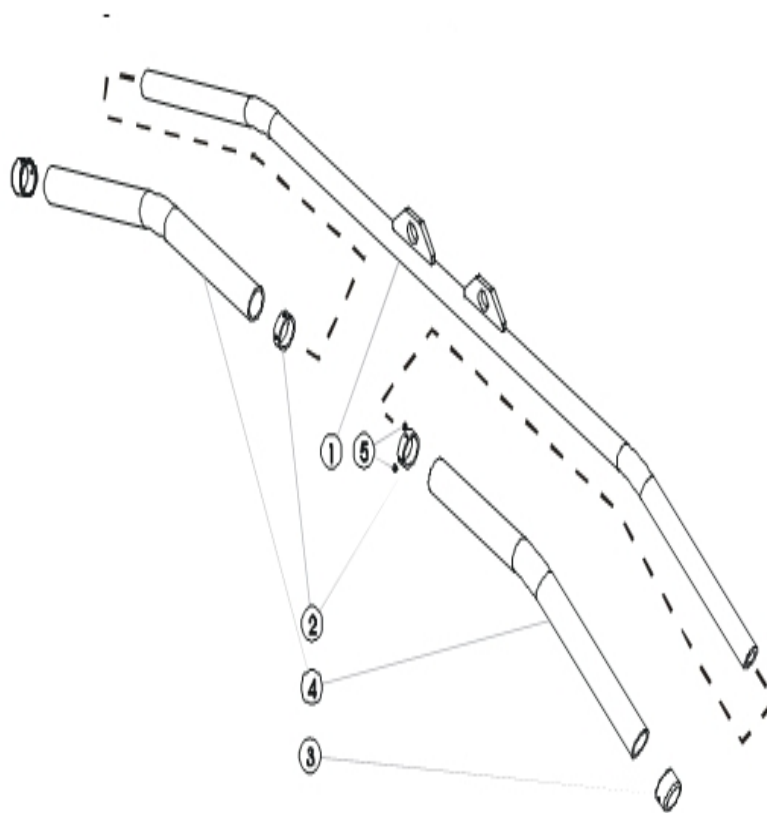
Front Pulley



Ref #	Part Number	Qty	Description
1	SM15-S0004-0000	1	WELDMENT, PULLEY BRACKET
2	0K50-P0569-0000	2	NLA: PROTECTIVE STRIP
3	AK50-S0032-0000	2	NLA: SWIVEL PULLEY WELDMENT
4	0017-00009-0929	4	Spacer: Flange: 3/4" ID Oilite Bushing N/D
5	FB31-M0038-0000	2	Bench Axle 4 3/8"
6	0017-00009-1028	4	E-Clip: .75" Shaft N/D
7	0K50-P0567-0000	2	NLA: CONTACT GUARD

** Upholstery and Frame Colors are list at the end of the Parts Manual **

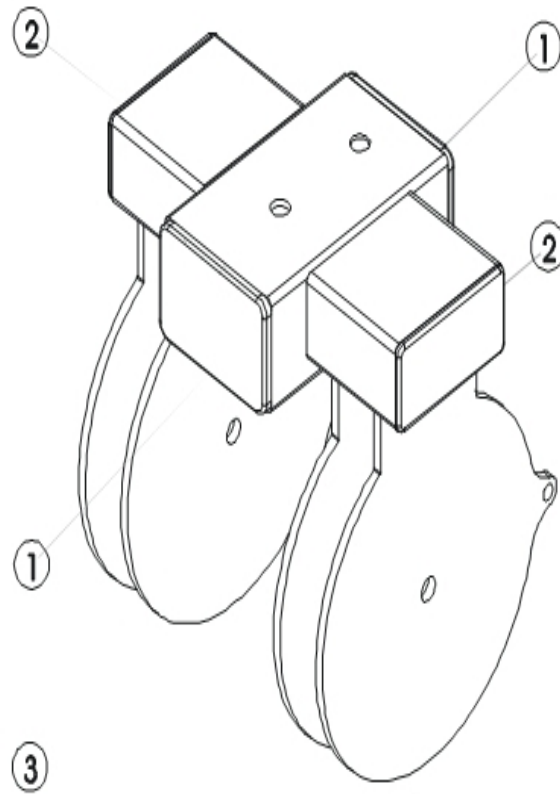
Lat Bar



Ref #	Part Number	Qty	Description
1	SM15-S0001-0000	1	Weldment, Lat Bar (SM15)
2	0K50-P0316-2000	2	Collar: 1" ID Collar
3	0K50-P0315-2000	2	Cap; Grip
4	0017-00042-1209	2	1" ID Grip
5	0017-00101-1406	8	Hardware: 10-32 X 1/8; Set Screw
-	SK50-S0126-0000	1	SM15 Pulldown Bar (2 Tabs) Service Kit

** Upholstery and Frame Colors are list at the end of the Parts Manual **

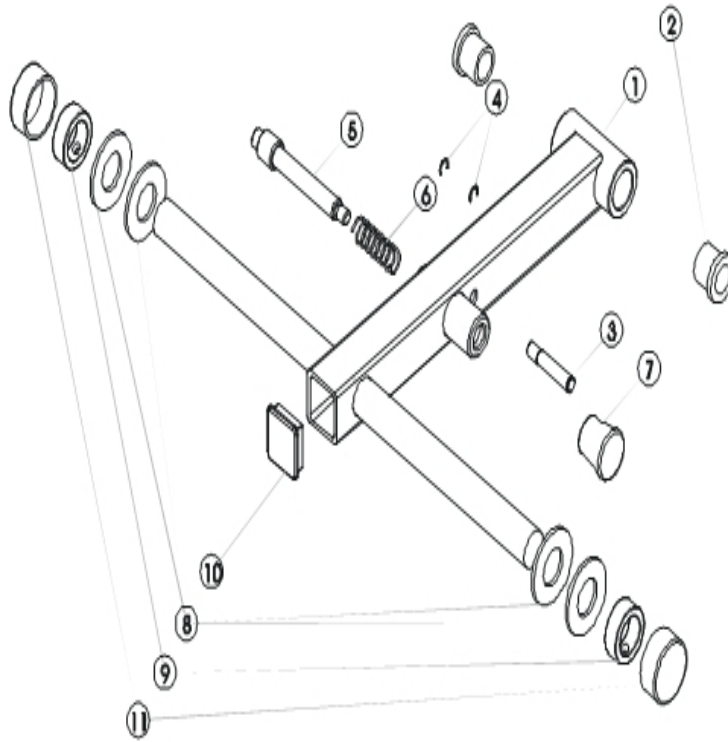
Rear Pulley



Ref #	Part Number	Qty	Description
1	0017-00042-0959	2	Cap; For Tubing; 2"X3"; Strength
2	0017-00042-1038	2	1-1/2 X 3 11 Guage Plastic Cap
3	SM15-S0005-0000	1	WELDMENT, REAR PULLEY

** Upholstery and Frame Colors are list at the end of the Parts Manual **

Thigh Resistant



Ref #	Part Number	Qty	Description
1	SM15-S0002-0000	1	Restraint, Thigh
2	0017-00009-0929	2	Spacer: Flange: 3/4" ID Oilite Bushing N/D
3	0K50-P0590-0000	1	Hardware: Pin, Grooved Stop
4	0017-00100-0190	2	Ring C .375 5103-37 ST ZN
5	0K50-P0403-0000	1	Soft Tip Pull Pin 4.75 IN
6	7351501	1	Pull Pin Spring
6	0017-00009-0994	1	Spring: PP Large; Strength N/D
7	0017-00009-1077	1	Knob: Black, 3/8-16 Insert N/D
8	0017-00104-1383	4	Hardware: 1IN SAE F/W ZC
9	0017-00009-0942	2	Collar: Shaft; 1.020" ID N/D
10	0017-00042-0944	1	1 1/2 X 1 1/2 Endcap
11	0017-00042-0953	2	Cap; Black Rubber; 1.375 IN X.750

** Upholstery and Frame Colors are list at the end of the Parts Manual **

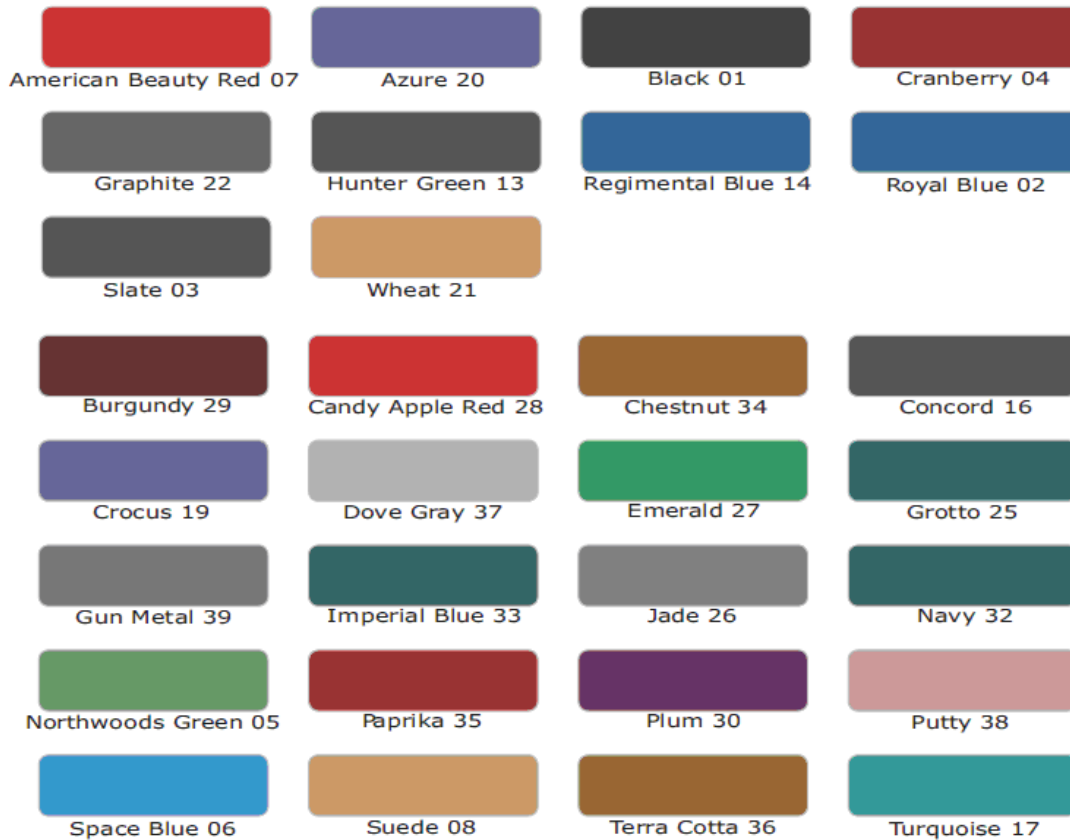
Frame and Upholstery Color Chart

Frame Colors



Note: Include frame color in order notes when ordering frame assemblies or weldments.

Upholstery Colors



Replace '99' with the above color suffix when ordering pads (i.e. 7412399 = 7412301 BLACK)

