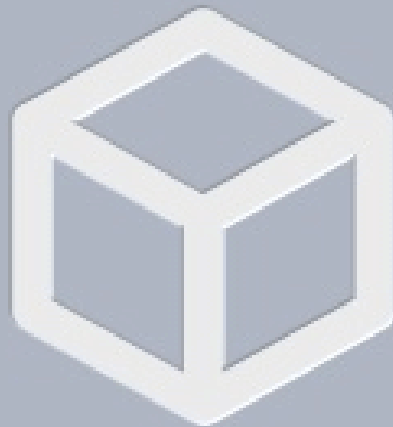


# Dual Pulley Row

SM16

## Parts Manual

1/5/2019 16:37:24 PM



NO IMAGE AVAILABLE

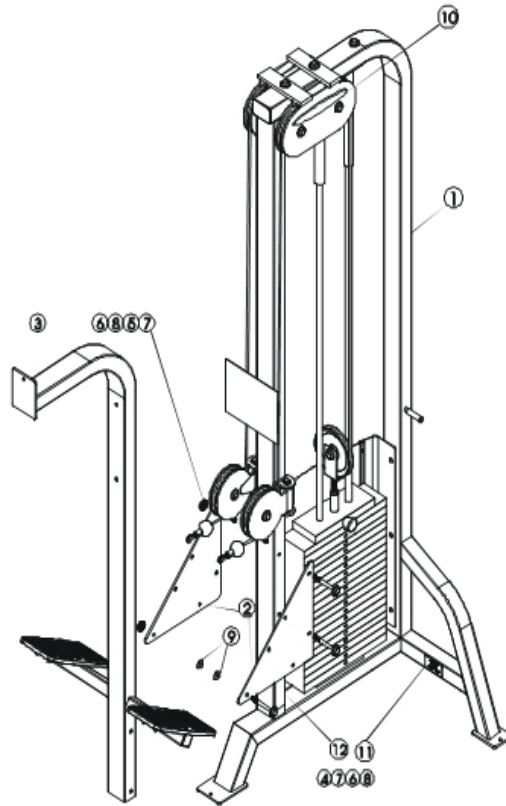
**Table of Contents**

---

[Component Assembly](#).....3  
[Frame Pulley Assembly](#).....4  
[Seat Assembly](#).....6  
[Weight Stack Shield](#).....7

\*\* Upholstery & Frame Colors are listed at the end of the Parts Manual \*\*

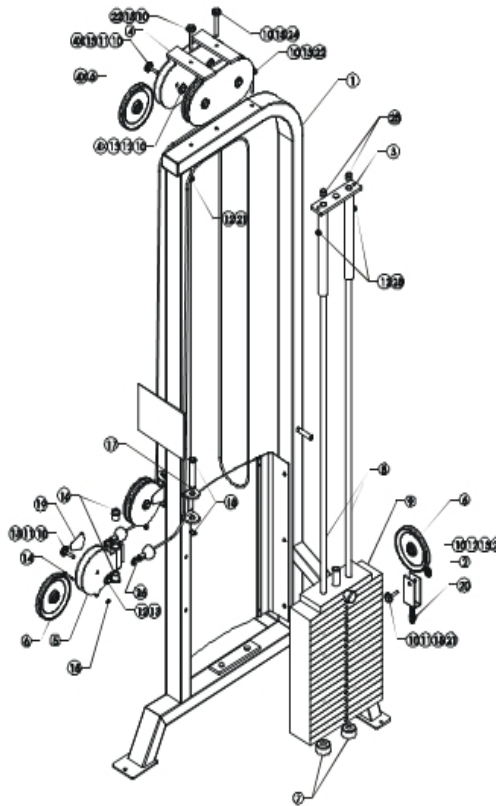
# Component Assembly



Ref #	Part Number	Qty	Description
1	SM16-A0002-0000	1	SM16 FRAME PULLEY ASSY
2	0K50-P0591-1000	2	NLA: SM16 FRAME BRACKET WITH FIN.
4	0017-00101-1500	3	Hardware: 3/8X3 3/4 Bolt; Strength
5	0017-00103-0217	3	Hardware: Nut 3/8 -16 Thin D ST ZN B
6	0017-00104-0313	6	Hardware: 3/8 Flat Washer; Strength
7	0017-00104-0366	6	Hardware: Flanged Finishing Washer - Large (RHW206
8	0017-00042-0969	6	Finishing Cap - Large (RH20)
9	0017-00104-0373	2	Hardware: Washer 375-1.00-062 FL- TL NO B
10	0K50-01001-0004	2	Decal: Name Plate 9 1/4" Chrome Plated Plastic

\*\* Upholstery and Frame Colors are list at the end of the Parts Manual \*\*

# Frame Pulley Assembly

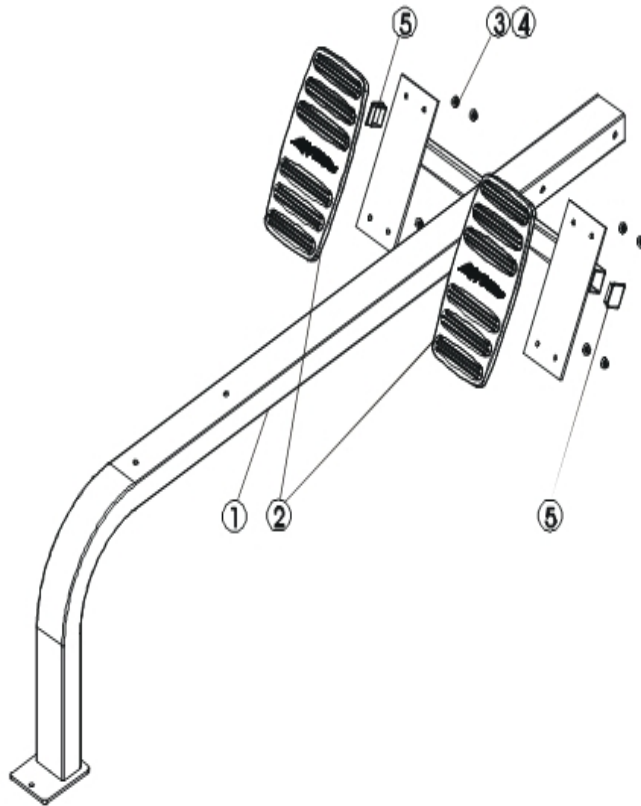


Ref #	Part Number	Qty	Description
1	SM16-A0001-0000	1	SM16 WEIGHT STACK FRAME ASSY
2	AK50-S0006-0000	1	Floating Pulley Housing; Strength
3	AK50-S0033-0000	1	NLA: TOP PLATE STOP
4	SM16-S0002-0000	1	NLA: ROW DUAL PULLEY HOUSING
5	AK50-S0032-0000	2	NLA: SWIVEL PULLEY WELDMENT
6	0017-00009-0978	7	Pulley: 6" N/D
7	0017-00042-0993	2	3/4" Donut Cap
8	0017-00009-0933	2	Chrome Rod: 3/4" Get Length From Customer
9	AK50-WS015	1	300LB WS W/ NEW RED & 1.06 PLT
10	0017-00104-0368	17	Hardware: Flanged Finishing Washer - Large (RHW205)
11	0017-00101-1413	7	Hardware; 3/8 16X28 UNS HEX; STR
12	0017-00103-0217	10	Hardware: Nut 3/8 -16 Thin D ST ZN B
13	0017-00042-0969	17	Finishing Cap - Large (RH20)
14	0017-00101-1392	2	Hardware: 1/4 Shoulder Bolt; Strength
15	0017-00103-0228	2	Hardware: Nut 10-24 HEX D ST ZN B
16	0017-00009-0929	4	Spacer: Flange: 3/4" ID Oilite Bushing N/D
17	FB31-M0038-0000	2	Bench Axle 4 3/8"
18	0017-00009-1028	4	E-Clip: .75" Shaft N/D
19	0K50-P0567-0000	2	NLA: CONTACT GUARD
20	0017-00103-0234	1	Hardware: Nut 9/16-12 JAM D ST ZN B
21	0017-00104-0313	3	Hardware: 3/8 Flat Washer; Strength
22	0017-00101-1422	2	Hardware: 3/8 -16X48 UNS HEX BLT G5 ZN B

Ref #	Part Number	Qty	Description
23	0017-00104-0352	2	Hardware: Washer 375-.734-065 FL-D ST ZN B
24	0017-00101-1424	1	Hardware: 3/8 -16X3/1/2 UNS HEX BLT G5 ZN B
25	0017-00042-0967	2	3/4" Rod Cap
26	AK50-CL252-0009	1	Cable Assembly; SM16

\*\* Upholstery and Frame Colors are list at the end of the Parts Manual \*\*

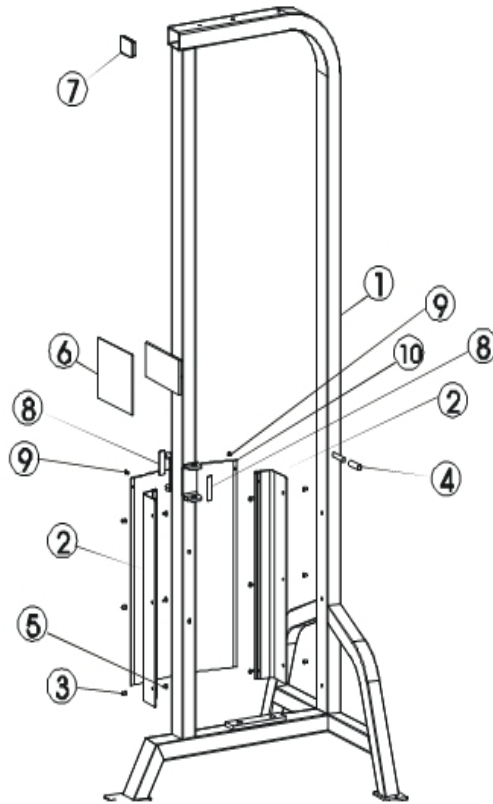
**Seat Assembly**



Ref #	Part Number	Qty	Description
1	SM16-S0003-0000	1	NLA: ROW SEAT FRAME
2	8347301	2	Kit, Snap-On Footplate
3	0017-00103-0227	8	Hardware: Nut 1/4 -20 Jam D ST ZN B
4	0017-00104-0312	8	Hardware: Washer 281-.625-065 FL-D ST ZN B
5	0017-00042-0944	2	1 1/2 X 1 1/2 Endcap

\*\* Upholstery and Frame Colors are list at the end of the Parts Manual \*\*

# Weight Stack Shield



Ref #	Part Number	Qty	Description
1	SM16-S0001-0000	1	ROW WEIGHT STACK FRAME
2	0K50-E0038	2	2.5" Standard Side Shield
3	0017-00103-0212	6	Hardware: Nut 10-24 Nutsert D ST ZN B
4	0017-00009-0947	1	Cover: Peg N/D
5	0017-00101-1616	6	Hardware: 10-24 X 8 PHI PAN ST ZN B
6	SM16-PL000-0001	1	English Placard SM16
7	0017-00042-0959	1	Cap; For Tubing; 2"X3"; Strength
8	0K50-P0569-0000	2	NLA: PROTECTIVE STRIP
9	0017-00101-1587	2	Hardware: RVT 201X0413X.354 T NY NO
10	0K50-E0041	1	Pro Series Plastic Shield with Silk Screen
11	M051-00293-B000	1	Decal: ASTM Warning Label
12	M051-00335-A000	1	Warning Decal 9000 Vertical.

\*\* Upholstery and Frame Colors are list at the end of the Parts Manual \*\*

# Frame and Upholstery Color Chart

## Frame Colors



Note: Include frame color in order notes when ordering frame assemblies or weldments.

## Upholstery Colors



Replace '99' with the above color suffix when ordering pads (i.e. 7412399 = 7412301 BLACK)

