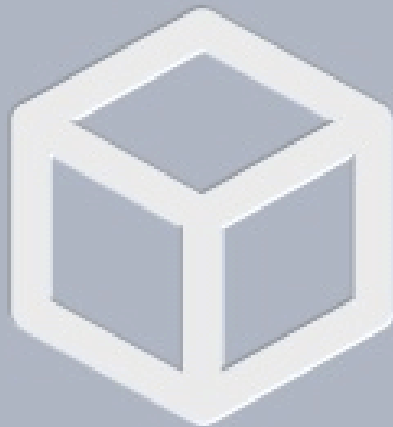


# Dual Shoulder

SM17

## Parts Manual

1/5/2019 16:37:24 PM



NO IMAGE AVAILABLE

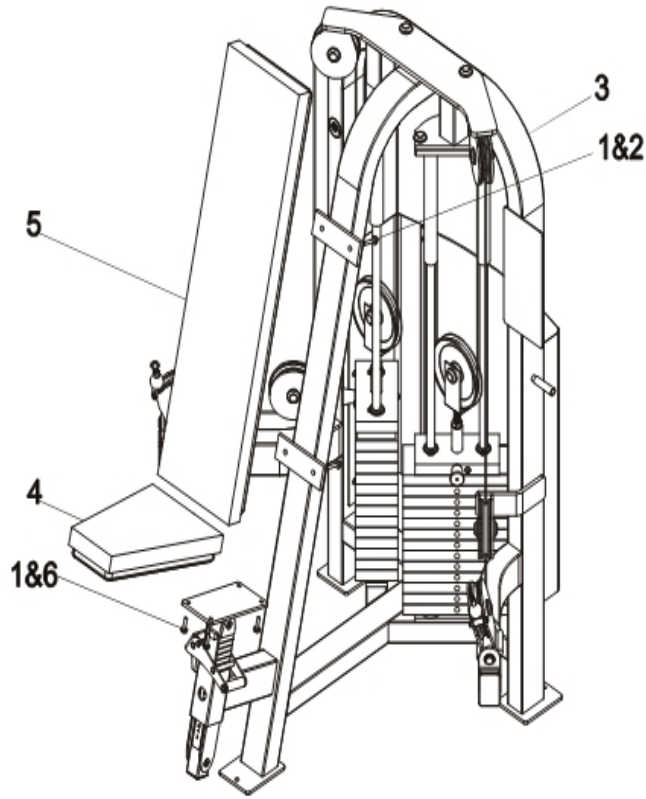
**Table of Contents**

---

|                                      |   |
|--------------------------------------|---|
| <a href="#">Top Assembly 1</a> ..... | 3 |
| <a href="#">Top Assembly 2</a> ..... | 4 |
| <a href="#">Top Assembly 3</a> ..... | 5 |
| <a href="#">Top Assembly 4</a> ..... | 7 |
| <a href="#">Top Assembly 5</a> ..... | 8 |

\*\* Upholstery & Frame Colors are listed at the end of the Parts Manual \*\*

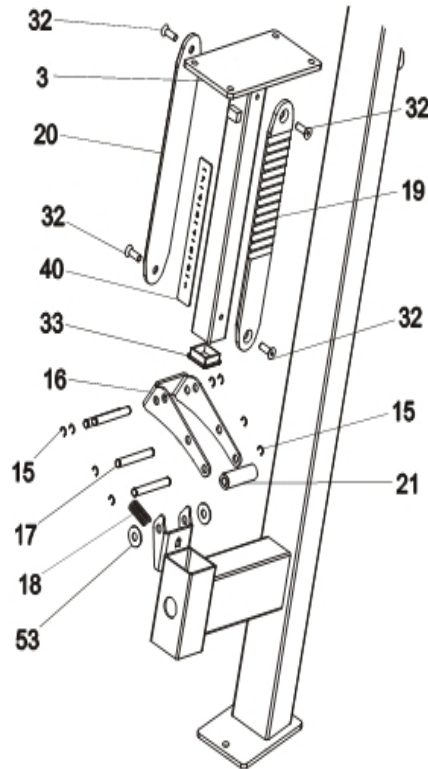
**Top Assembly 1**



| Ref # | Part Number     | Qty | Description                                 |
|-------|-----------------|-----|---|
| 1     | 0017-00104-0312 | 8   | Hardware: Washer 281-.625-065 FL-D ST ZN B  |
| 2     | 0017-00101-1472 | 4   | Hardware: 1/4-20X24 UNS HEX-BLT G5 ZN       |
| 3     | SM17-A0000-0000 | 1   | DUAL SHOULDER TOP ASSEMBLY                  |
| 4     | 0K50-US053-0000 | 1   | Seat Pad; SU05 & SU10; Strength             |
| 5     | 0K50-US024-0000 | 1   | Upholstery Sub; Standard C/P Back; Strength |
| 6     | 0017-00101-1391 | 4   | Hardware: 1/4 -20X16 UNS HEX BLT G5 ZN B    |

\*\* Upholstery and Frame Colors are list at the end of the Parts Manual \*\*

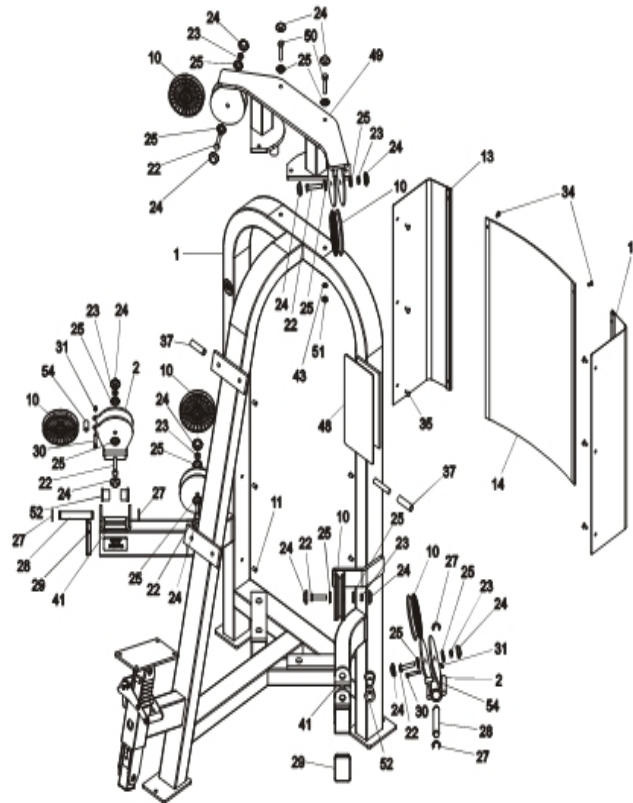
**Top Assembly 2**



| Ref # | Part Number     | Qty | Description                                       |
|-------|-----------------|-----|---|
| 3     | AK50-S0028-0000 | 1   | Seat Post Weldment                                |
| 15    | 0017-00100-0190 | 8   | Ring C .375 5103-37 ST ZN                         |
| 16    | 0K50-P0550-0000 | 1   | Release Lever                                     |
| 17    | 0K50-P0551-0000 | 4   | Hardware: Grooved Pin                             |
| 18    | 0017-00009-1079 | 1   | Spring: Compression N/D                           |
| 19    | 0K50-P0547-0000 | 1   | Plate, Front Striker                              |
| 20    | 0K50-P0548-0000 | 1   | Plate, Back Striker                               |
| 21    | 0017-00042-1089 | 1   | 3/8" ID X 3/16" Wall Extruded Tube Duro 65A Black |
| 32    | 0017-00101-1655 | 4   | Hardware: 5/16-24X12 FLT SOC CS ST ZN B           |
| 33    | 0017-00042-0944 | 1   | 1 1/2 X 1 1/2 Endcap                              |
| 40    | M051-00363-A000 | 1   | Decal: Seat Post Number Strip 14 Notch            |
| 53    | 0017-00104-0373 | 2   | Hardware: Washer 375-1.00-062 FL- TL NO B         |

\*\* Upholstery and Frame Colors are list at the end of the Parts Manual \*\*

Top Assembly 3

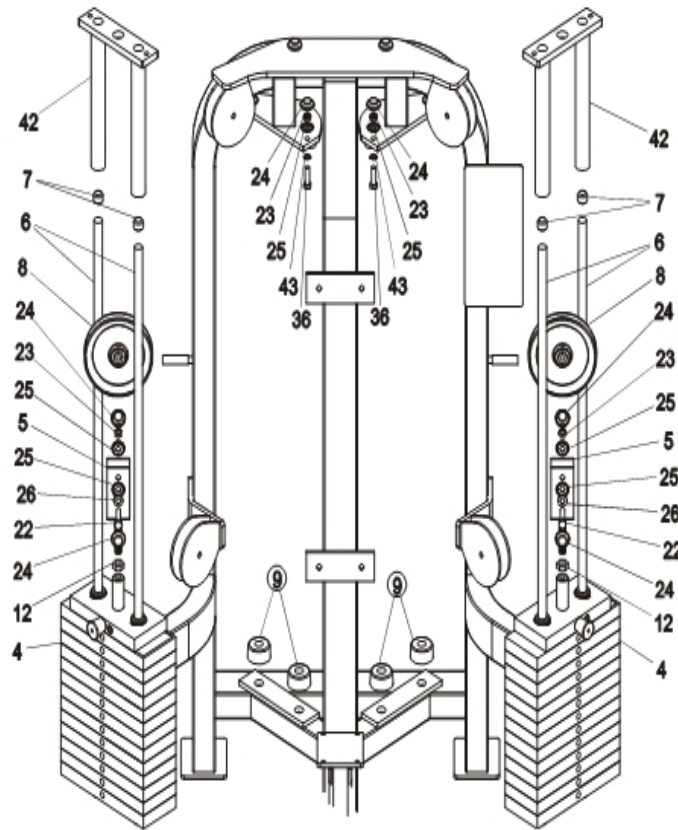


| Ref # | Part Number     | Qty | Description   |
|-------|-----------------|-----|---|
| 1     | SM17-S0001-0000 | 1   | DUAL SHOULDER MAIN FRAME                            |
| 2     | SM17-S0002-0000 | 2   | SWIVEL PULLEY SUB                                   |
| 10    | 3237801         | 6   | Pulley 4.5" OD                                      |
| 11    | 0017-00103-0212 | 6   | Hardware: Nut 10-24 Nutsert D ST ZN B               |
| 13    | 0K50-E0040      | 2   | NLA: 3.5" WIDE SIDE SHIELD                          |
| 14    | 0K50-E0041      | 1   | Pro Series Plastic Shield with Silk Screen          |
| 22    | 0017-00101-1413 | 8   | Hardware; 3/8 16X28 UNS HEX; STR                    |
| 23    | 0017-00103-0217 | 12  | Hardware: Nut 3/8 -16 Thin D ST ZN B                |
| 24    | 0017-00042-0969 | 22  | Finishing Cap - Large (RH20)                        |
| 25    | 0017-00104-0368 | 22  | Hardware: Flanged Finishing Washer - Large (RHW205) |
| 27    | 0017-00009-1028 | 4   | E-Clip: .75" Shaft N/D                              |
| 28    | FB31-M0038-0000 | 2   | Bench Axle 4 3/8"                                   |
| 29    | 0017-00042-0959 | 2   | Cap; For Tubing; 2"X3"; Strength                    |
| 30    | 0017-00101-1392 | 2   | Hardware: 1/4 Shoulder Bolt; Strength               |
| 31    | 0017-00103-0228 | 2   | Hardware: Nut 10-24 HEX D ST ZN B                   |
| 34    | 0017-00101-1587 | 2   | Hardware: RVT 201X0413X.354 T NY NO                 |
| 35    | 0017-00101-1616 | 6   | Hardware: 10-24 X 8 PHI PAN ST ZN B                 |
| 37    | 0017-00009-0947 | 2   | Cover: Peg N/D                                      |
| 41    | 0K50-P0569-0000 | 4   | NLA: PROTECTIVE STRIP                               |
| 43    | 0017-00104-0352 | 6   | Hardware: Washer 375-.734-065 FL-D ST ZN B          |
| 48    | SM17-PL000-0001 | 1   | NLA: ENGLISH PLACARD; SM17                          |
| 49    | SM17-S0003-0000 | 1   | WELDMENT, TOP PULLEY BRACKET                        |

| Ref # | Part Number     | Qty | Description                                |
|-------|-----------------|-----|--|
| 50    | 0017-00101-1422 | 2   | Hardware: 3/8 -16X48 UNS HEX BLT G5 ZN B   |
| 51    | 0017-00103-0229 | 2   | Hardware: Nut 3/8 -16 Locking D ST ZN B    |
| 52    | 0017-00009-0929 | 4   | Spacer: Flange: 3/4" ID Oilite Bushing N/D |
| 54    | 0K50-P0612-0000 | 2   | SLEEVE, CABLE RETAINER                     |

\*\* Upholstery and Frame Colors are list at the end of the Parts Manual \*\*

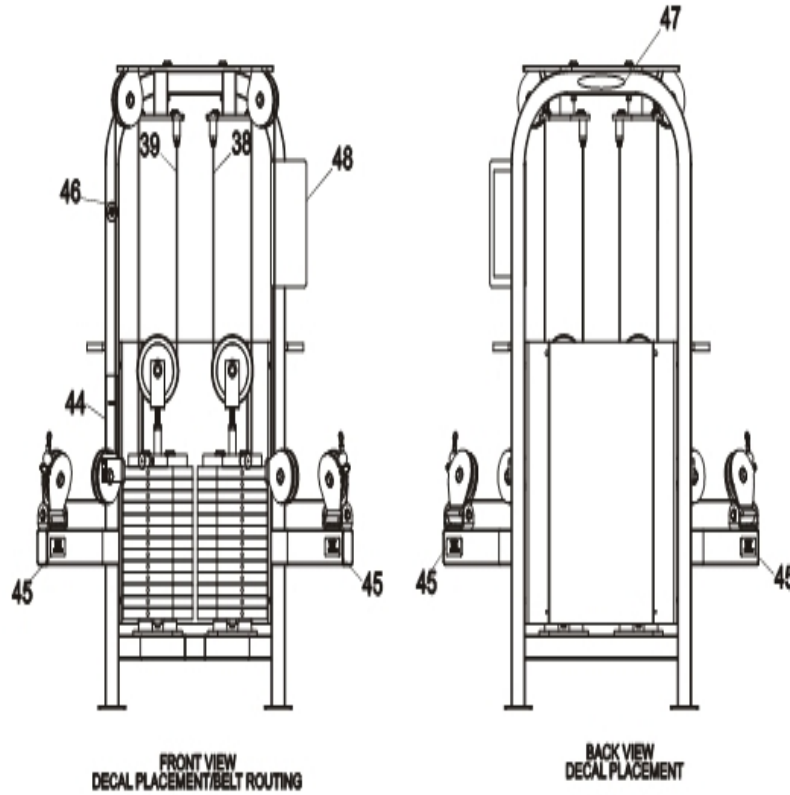
**Top Assembly 4**



| Ref # | Part Number     | Qty | Description   |
|-------|-----------------|-----|---|
| 5     | AK50-S0006-0000 | 2   | Floating Pulley Housing; Strength                   |
| 6     | 0017-00009-0933 | 4   | Chrome Rod: 3/4" Get Length From Customer           |
| 7     | 0017-00042-0967 | 4   | 3/4" Rod Cap  |
| 8     | 0017-00009-0978 | 2   | Pulley: 6" N/D                                      |
| 9     | 0017-00042-0993 | 4   | 3/4" Donut Cap                                      |
| 12    | 0017-00103-0234 | 2   | Hardware: Nut 9/16-12 JAM D ST ZN B                 |
| 22    | 0017-00101-1413 | 8   | Hardware; 3/8 16X28 UNS HEX; STR                    |
| 23    | 0017-00103-0217 | 12  | Hardware: Nut 3/8 -16 Thin D ST ZN B                |
| 24    | 0017-00042-0969 | 22  | Finishing Cap - Large (RH20)                        |
| 25    | 0017-00104-0368 | 22  | Hardware: Flanged Finishing Washer - Large (RHW205) |
| 26    | 0017-00104-0313 | 2   | Hardware: 3/8 Flat Washer; Strength                 |
| 36    | 0017-00101-1412 | 4   | NLA: 3/8 16X20 UNS HEX; STRENGTH                    |
| 42    | AK50-S0038-0000 | 2   | TOP PLATE STOP                                      |
| 43    | 0017-00104-0352 | 6   | Hardware: Washer 375-.734-065 FL-D ST ZN B          |

\*\* Upholstery and Frame Colors are list at the end of the Parts Manual \*\*

# Top Assembly 5



| Ref # | Part Number     | Qty | Description                   |
|-------|-----------------|-----|-------------------------------|
| 38,39 | AK50-CL110-5014 | 2   | Cable Assembly; SM17          |
| 44    | M051-00335-A000 | 1   | Warning Decal 9000 Vertical.  |
| 45    | M051-00293-B000 | 4   | Decal: ASTM Warning Label     |
| 46    | M051-00442-A000 | 1   | Cable Motion Technology Decal |
| 48    | SM17-PL000-0001 | 1   | NLA: ENGLISH PLACARD; SM17    |

\*\* Upholstery and Frame Colors are list at the end of the Parts Manual \*\*

# Frame and Upholstery Color Chart

## Frame Colors



Note: Include frame color in order notes when ordering frame assemblies or weldments.

## Upholstery Colors



Replace '99' with the above color suffix when ordering pads (i.e. 7412399 = 7412301 BLACK)

