

# Signature Series - Olympic Bench Weight Storage

SOBWS

## Parts Manual

1/5/2019 16:41:39 PM





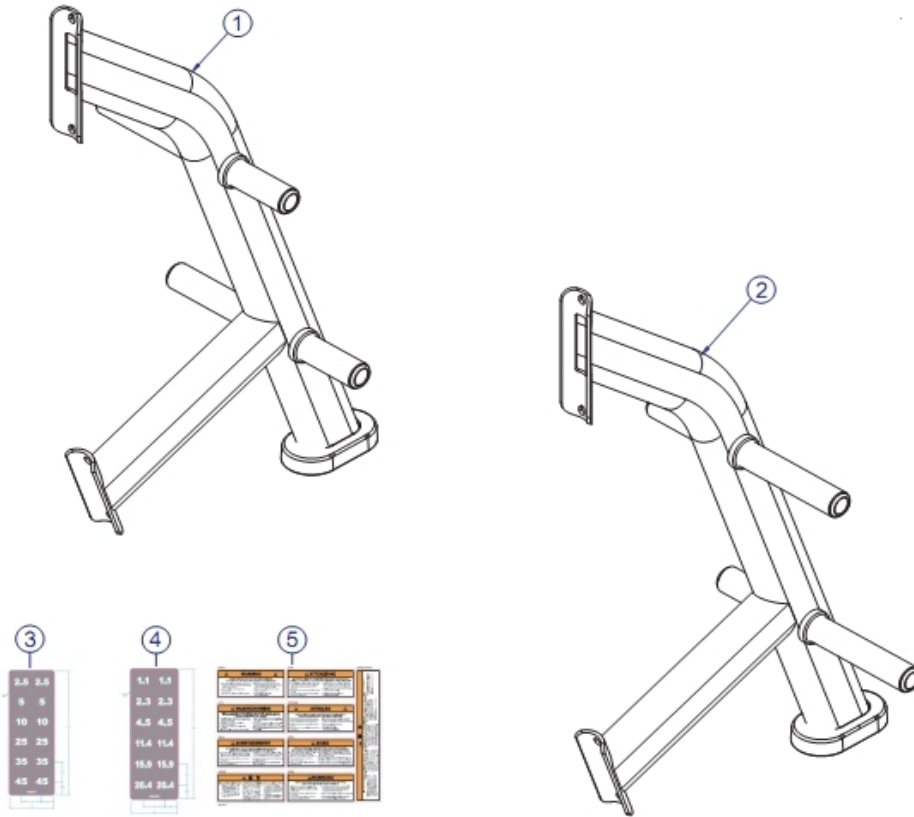
**Table of Contents**

---

|  |   |
|--|---|
| <a href="#">Component Assembly</a> .....     | 3 |
| <a href="#">Left Upright Assembly</a> .....  | 4 |
| <a href="#">Right Upright Assembly</a> ..... | 5 |

\*\* Upholstery & Frame Colors are listed at the end of the Parts Manual \*\*

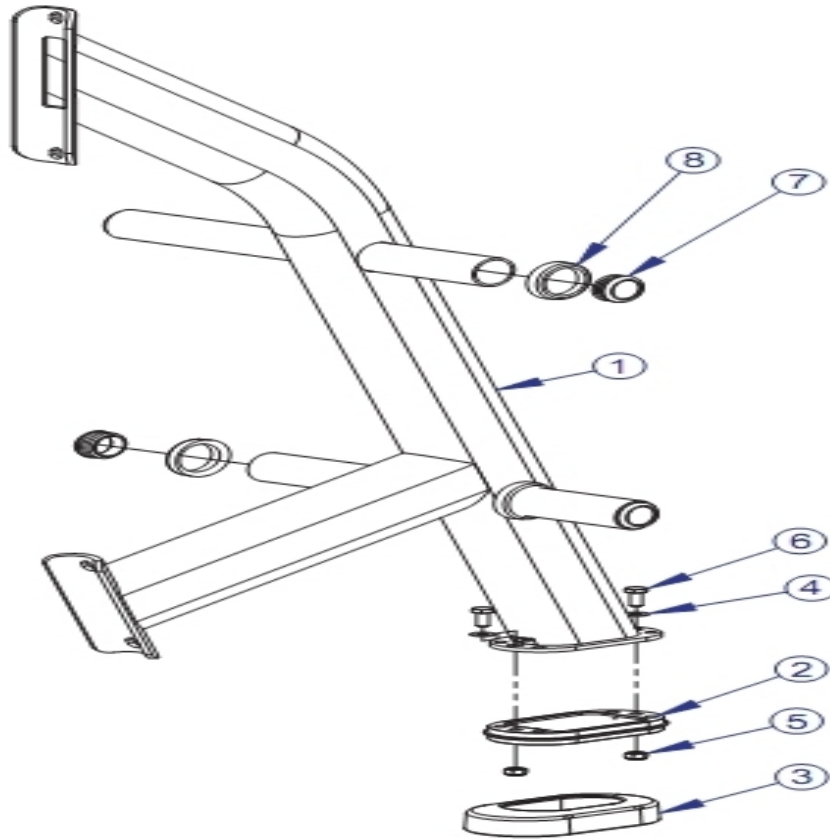
## Component Assembly



| Ref # | Part Number | Qty | Description                                   |
|-------|-------------|-----|---|
| 1     | 7853299     | 1   | Painted Assembly, SOBWS, Left Upright Custom  |
| 2     | 7853399     | 1   | Painted Assembly, SOBWS, Right Upright Custom |
| 3     | 8351801     | 1   | Label Sheet Weight Horn                       |
| 4     | 8092601     | 1   | Decal Sheet Weight Horn KG                    |
| 5     | 8137701     | 1   | Warning Label - Multi-Language Horizontal     |

\*\* Upholstery and Frame Colors are list at the end of the Parts Manual \*\*

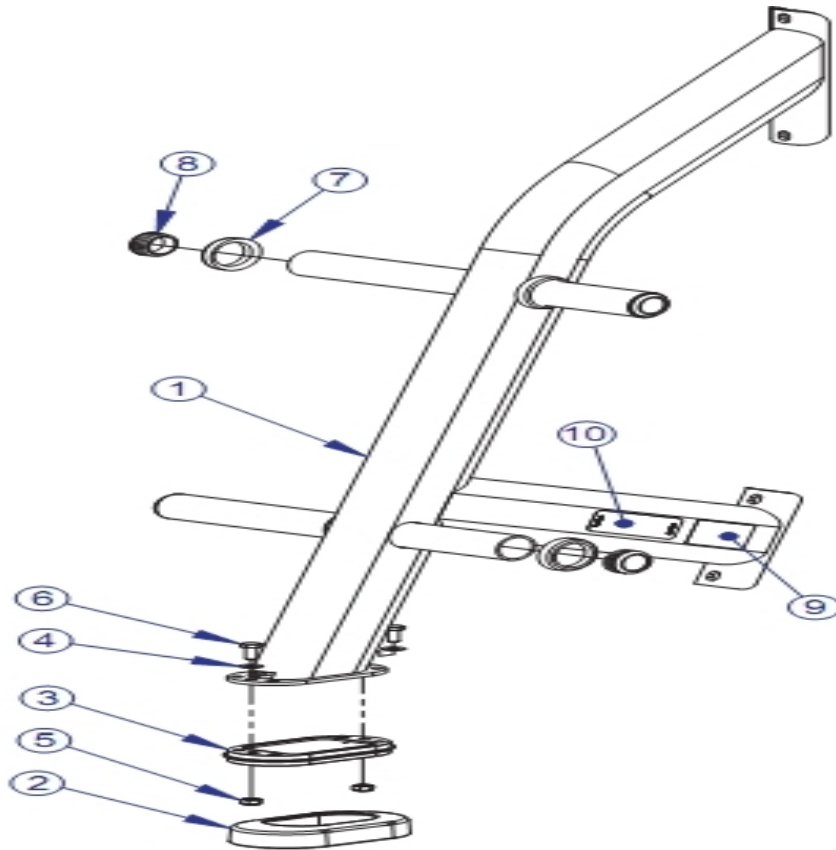
## Left Upright Assembly



| Ref # | Part Number | Qty | Description                           |
|-------|-------------|-----|---------------------------------------|
| 1     | 7852499     | 1   | Weldment, SOBWS, Left Upright Custom  |
| 2     | 7334001     | 1   | Foot 2.50 X 4.49 Flov 10-0074-046 BNR |
| 3     | 7340201     | 1   | Cover Foot - Straight                 |
| 4     | 3102514     | 2   | Hardware: Flat Washer 3/8" ID         |
| 5     | LEA3242002  | 2   | Hardware: Hex Nut 10MM D              |
| 6     | 3251202     | 2   | Hardware: Screw 25MM                  |
| 7     | 8078001     | 4   | End Cap                               |
| 8     | 8094401     | 4   | Weight Horn Ring                      |

\*\* Upholstery and Frame Colors are list at the end of the Parts Manual \*\*

## Right Upright Assembly



| Ref # | Part Number | Qty | Description                                   |
|-------|-------------|-----|---|
| 1     | 7853399     | 1   | Painted Assembly, SOBWS, Right Upright Custom |
| 2     | 7340201     | 1   | Cover Foot - Straight                         |
| 3     | 7334001     | 1   | Foot 2.50 X 4.49 Flov 10-0074-046 BNR         |
| 4     | 3102514     | 2   | Hardware: Flat Washer 3/8" ID                 |
| 5     | LEA3242002  | 2   | Hardware: Hex Nut 10MM D                      |
| 6     | 3251202     | 2   | Hardware: Screw 25MM                          |
| 7     | 8094401     | 4   | Weight Horn Ring                              |
| 8     | 8078001     | 4   | End Cap                                       |
| 9     | 7094101     | 1   | NLA: LABEL, SERIAL NUMBER                     |
| 10    | LEA7002501  | 1   | Warning Label Horizontal                      |

\*\* Upholstery and Frame Colors are list at the end of the Parts Manual \*\*

# Frame and Upholstery Color Chart

---

## Frame Colors



Note: Include frame color in order notes when ordering frame assemblies or weldments.

---

## Upholstery Colors



Replace '99' with the above color suffix when ordering pads (i.e. 7412399 = 7412301 BLACK)

