

# Signature Series - Olympic Incline Bench

SOIB

## Parts Manual

1/5/2019 16:43:05 PM





**SOIB - SIGNATURE SERIES - OLYMPIC  
INCLINE BENCH**

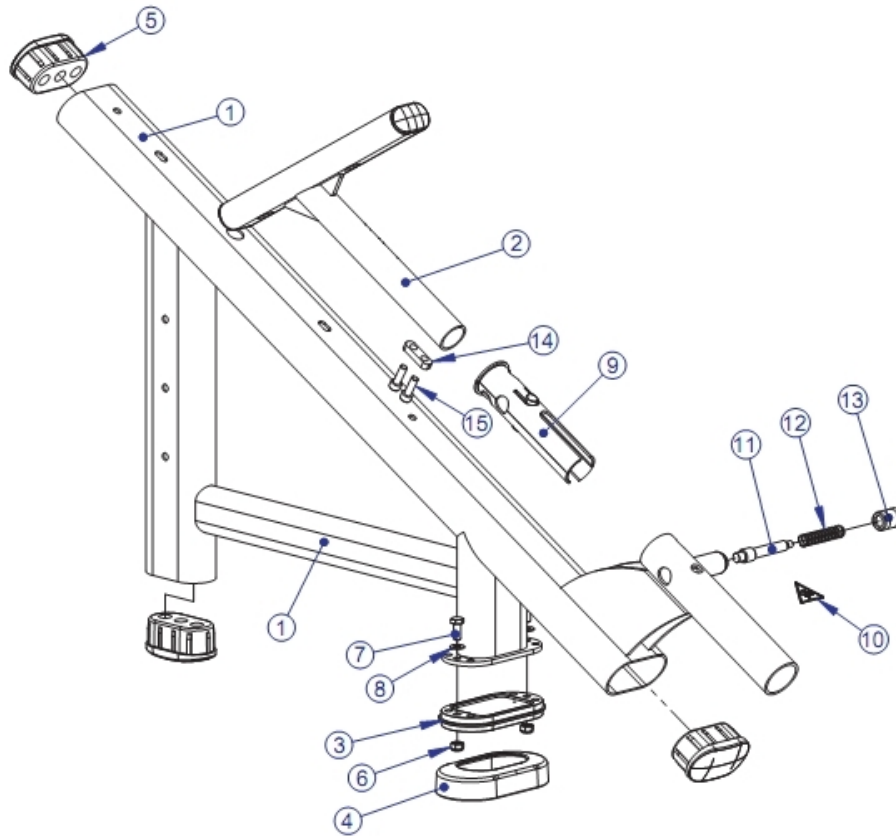
**Table of Contents**

---

<a href="#">Center Frame Assembly</a> .....	3
<a href="#">Component Assembly</a> .....	4
<a href="#">Left Upright Assembly</a> .....	5
<a href="#">Right Upright Assembly</a> .....	6

\*\* Upholstery & Frame Colors are listed at the end of the Parts Manual \*\*

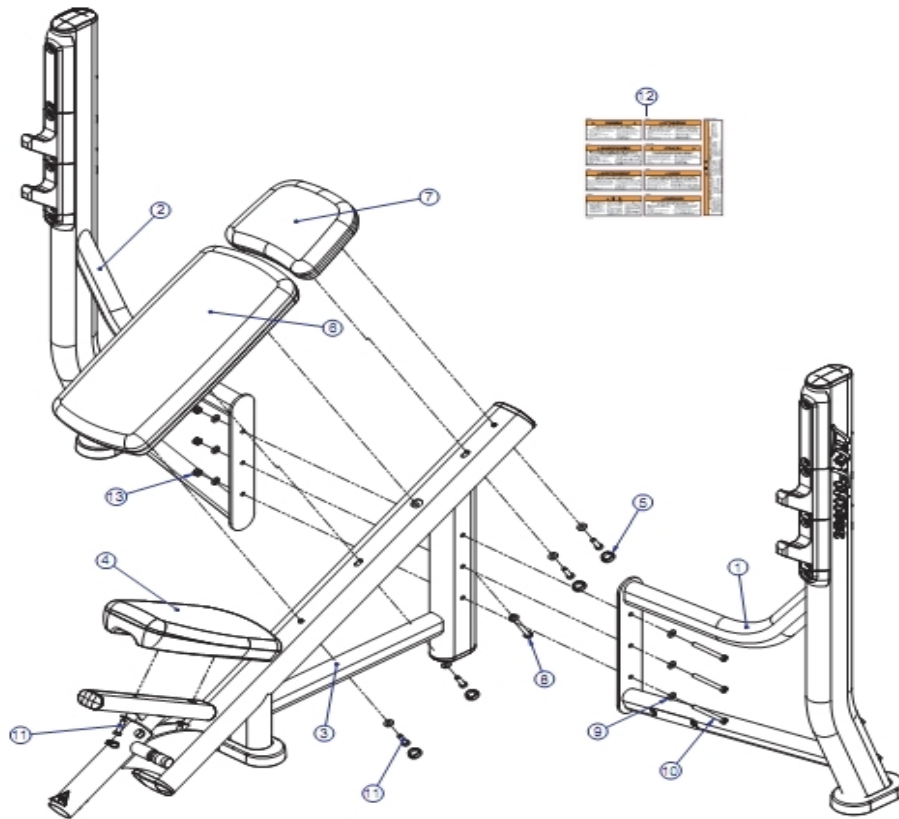
## Center Frame Assembly



Ref #	Part Number	Qty	Description
1	7843199	1	Painted Assembly, SOIB, Center Frame Custom
2	7848799	1	Painted Assembly, SOIB, Seat Custom
3	LEA7763001	1	Foot
4	7340201	1	Cover Foot - Straight
5	7800401	3	Large Cap
6	LEA3242002	2	Hardware: Hex Nut 10MM D
7	3251202	2	Hardware: Screw 25MM
8	3102514	2	Hardware: Flat Washer 3/8" ID
9	8087201	2	Plastic Bushing Slip Tube
10	8039501	1	Label Warning Triangle 10-0099-067 BNR
11	7351301	1	Pull Pin
12	7351501	1	Pull Pin Spring
13	7424801	1	Pop Pin Knob
14	8153501	1	Seat Adjuster Key SOIB
15	3251703	2	Hardware: Screw 30MM

\*\* Upholstery and Frame Colors are list at the end of the Parts Manual \*\*

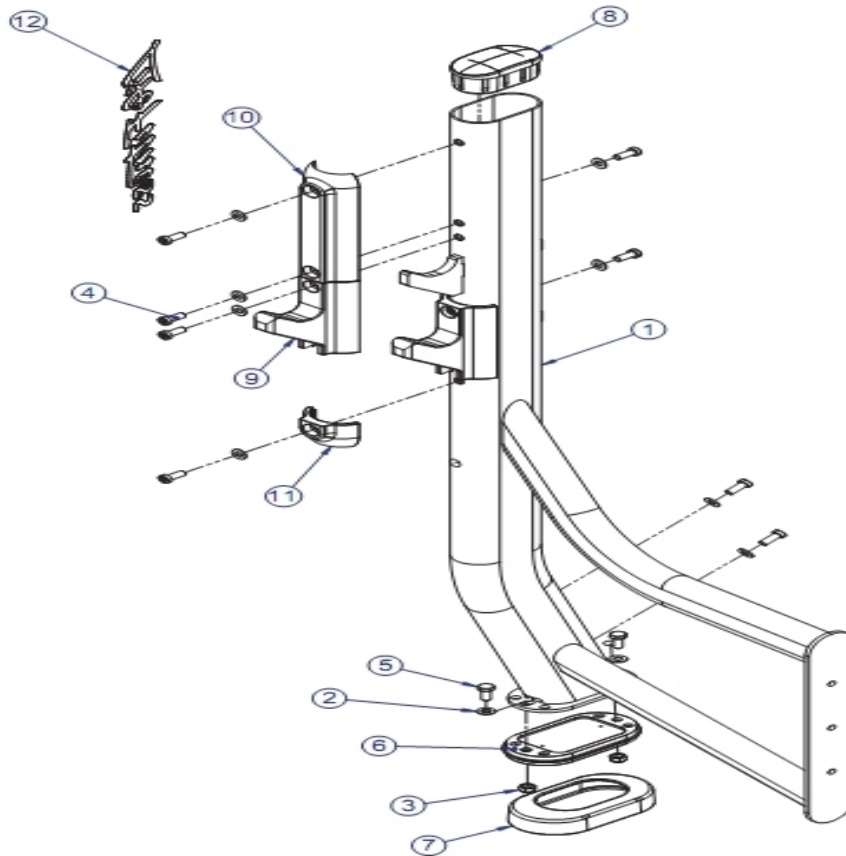
## Component Assembly



Ref #	Part Number	Qty	Description
1	7844299	1	Painted Assembly, SOIB, Right Upright Custom
2	7843799	1	Painted Assembly, SOIB, Left Upright Custom
3	7843199	1	Painted Assembly, SOIB, Center Frame Custom
4	7813899	1	Pad, 10 X 16 Tapered Convex Custom
5	3237403	6	Plug 1" Hole
6	7814099	1	Pad, 24 X 11 Flat Custom
7	7821999	1	Pad, Head Rest, Flat Custom
8	3260805	1	Hardware: Bolt 95MM
9	3102514	13	Hardware: Flat Washer 3/8" ID
10	3256215	3	Hardware: Screw 90MM
11	LEA3256204	6	Hardware: Screw 35MM
12	8137701	1	Warning Label - Multi-Language Horizontal
13	LEA3242002	3	Hardware: Hex Nut 10MM D

\*\* Upholstery and Frame Colors are list at the end of the Parts Manual \*\*

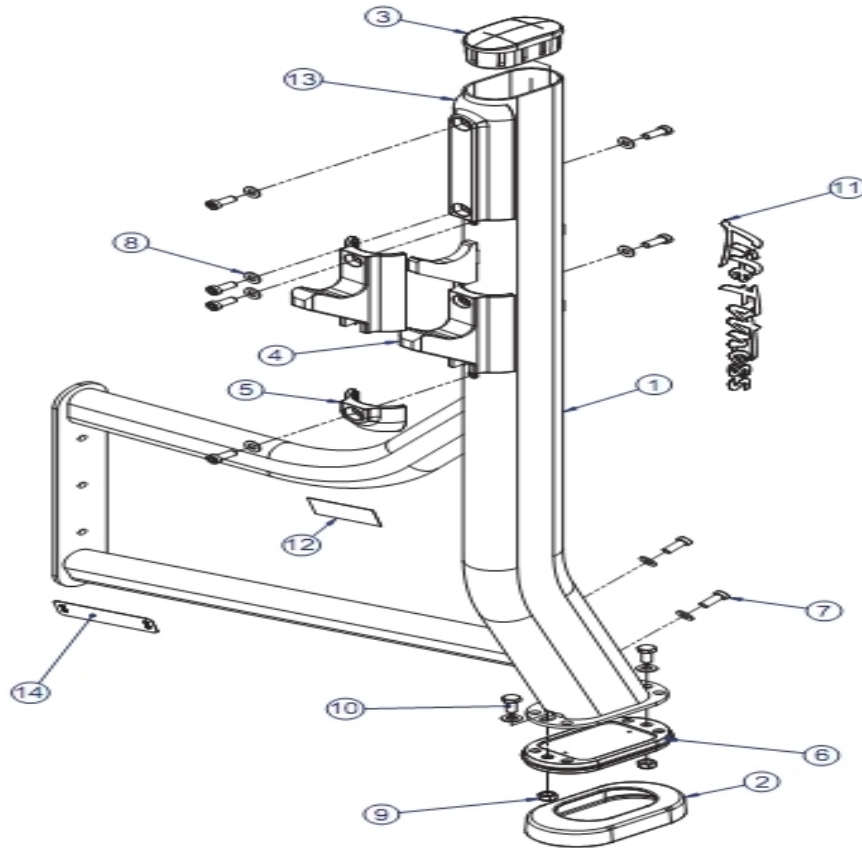
## Left Upright Assembly



Ref #	Part Number	Qty	Description
1	7843799	1	Painted Assembly, SOIB, Left Upright Custom
2	3102514	11	Hardware: Flat Washer 3/8" ID
3	LEA3242002	2	Hardware: Hex Nut 10MM D
4	LEA3256202	9	Hardware: Screw 25MM
5	3251202	2	Hardware: Screw 25MM
6	7334001	1	Foot 2.50 X 4.49 Flov 10-0074-046 BNR
7	7340201	1	Cover Foot - Straight
8	7800401	1	Large Cap
9	7804501	2	Bar Catch Hook
10	7804601	1	Bar Catch Guard
11	8077501	1	Bar Catch Guard Lower
12	7348001	1	Label Life Fitness Logo

\*\* Upholstery and Frame Colors are list at the end of the Parts Manual \*\*

## Right Upright Assembly



Ref #	Part Number	Qty	Description
1	7844299	1	Painted Assembly, SOIB, Right Upright Custom
2	7340201	1	Cover Foot - Straight
3	7800401	1	Large Cap
4	7804501	2	Bar Catch Hook
5	8077501	1	Bar Catch Guard Lower
6	7334001	1	Foot 2.50 X 4.49 Flov 10-0074-046 BNR
7	LEA3256202	9	Hardware: Screw 25MM
8	3102514	11	Hardware: Flat Washer 3/8" ID
9	LEA3242002	2	Hardware: Hex Nut 10MM D
10	3251202	2	Hardware: Screw 25MM
11	7348001	1	Label Life Fitness Logo
12	7094101	1	NLA: LABEL, SERIAL NUMBER
13	7804601	1	Bar Catch Guard
14	LEA7002501	1	Warning Label Horizontal

\*\* Upholstery and Frame Colors are list at the end of the Parts Manual \*\*

# Frame and Upholstery Color Chart

## Frame Colors



Note: Include frame color in order notes when ordering frame assemblies or weldments.

## Upholstery Colors



Replace '99' with the above color suffix when ordering pads (i.e. 7412399 = 7412301 BLACK)

