

# Signature Series - Olympic Military Bench

SOMB

## Parts Manual

1/5/2019 16:43:05 PM



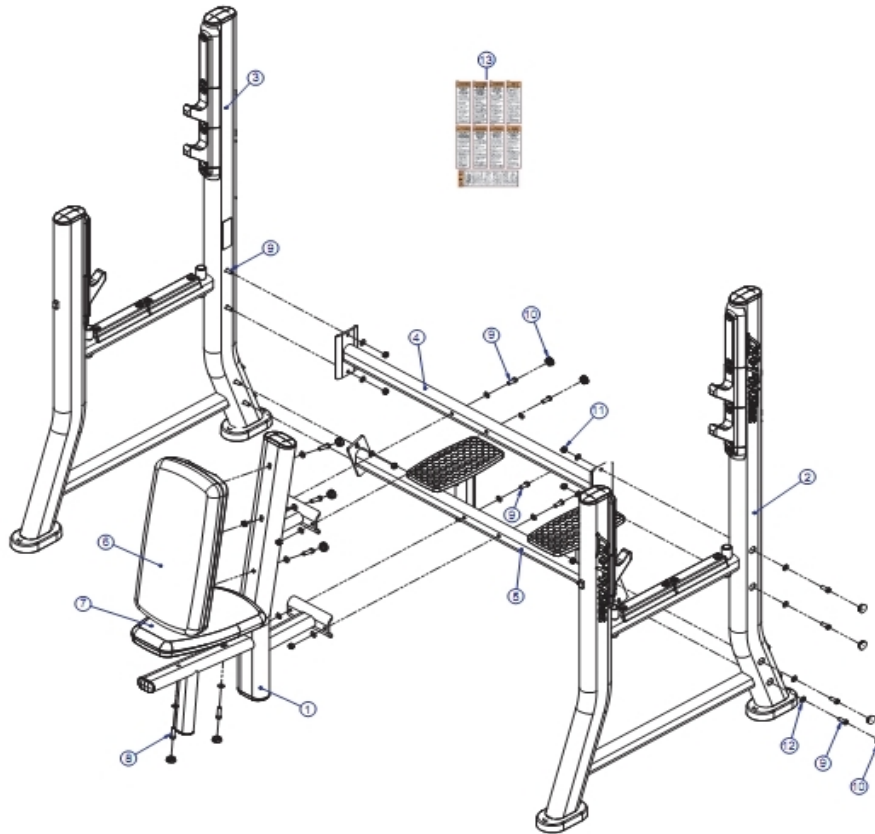
**Table of Contents**

---

[Component Assembly](#).....3  
[Left Side Frame Assembly](#).....4  
[Right Side Frame Assembly](#).....5  
[Seat Frame Assembly](#).....6  
[Spotter Platform Assembly](#).....7

\*\* Upholstery & Frame Colors are listed at the end of the Parts Manual \*\*

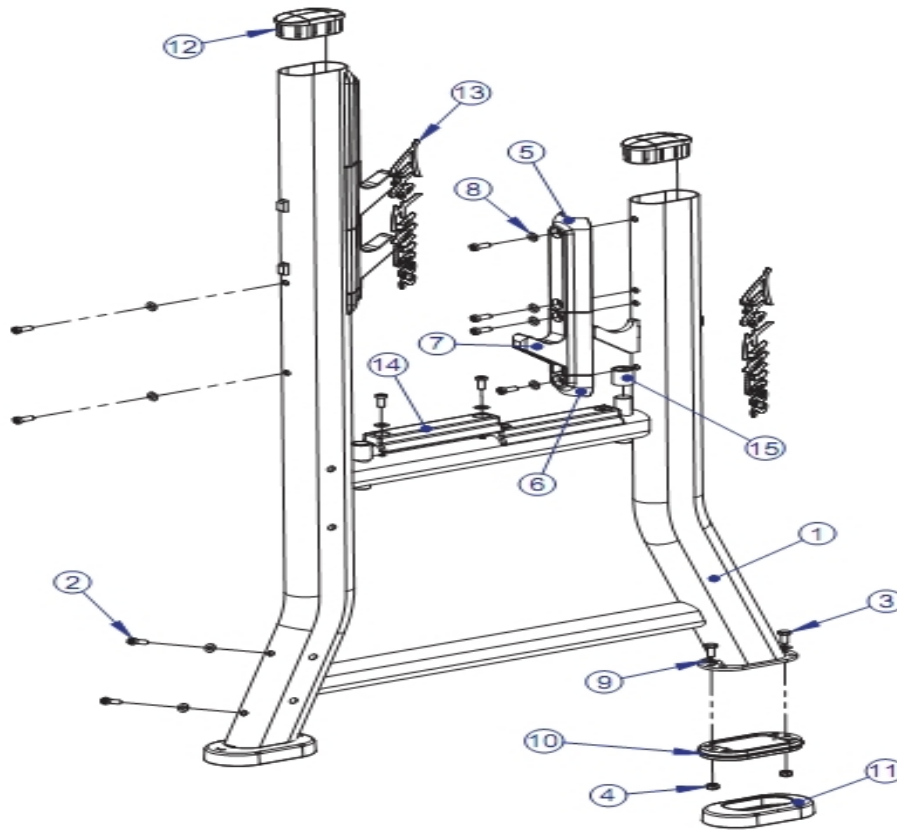
## Component Assembly



Ref #	Part Number	Qty	Description
1	8158399	1	Assembly, SOMB, Seat Frame Custom
2	8188699	1	Assembly, SOMB, Left Side Frame Custom
3	8157799	1	Assembly, SOMB, Right Side Frame Custom
4	8159199	1	Weldment, SOMB, X-Mem Custom
5	8159499	1	Assembly, SOMB, Spotter Platform Custom
6	7814099	1	Pad, 24 X 11 Flat Custom
7	7813899	1	Pad, 10 X 16 Tapered Convex Custom
8	LEA3256204	5	Hardware: Screw 35MM
9	LEA3256202	12	Hardware: Screw 25MM
10	3237403	17	Plug 1" Hole
11	LEA3242002	12	Hardware: Hex Nut 10MM D
12	3102514	30	Hardware: Flat Washer 3/8" ID
13	8137801	1	Warning Label - Multi-Language Vertical

\*\* Upholstery and Frame Colors are list at the end of the Parts Manual \*\*

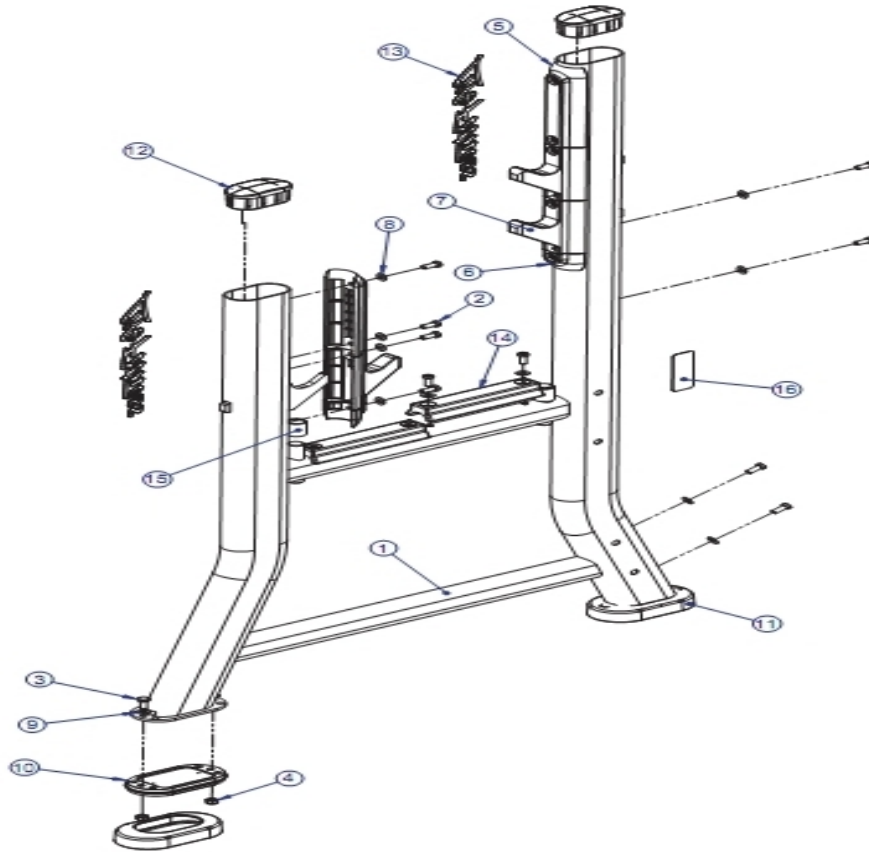
## Left Side Frame Assembly



Ref #	Part Number	Qty	Description
1	8188699	1	Assembly, SOMB, Left Side Frame Custom
2	LEA3256202	17	Hardware: Screw 25MM
3	3251202	4	Hardware: Screw 25MM
4	LEA3242002	4	Hardware: Hex Nut 10MM D
5	7804601	2	Bar Catch Guard
6	8077501	2	Bar Catch Guard Lower
7	7804501	3	Bar Catch Hook
8,9	3102514	21	Hardware: Flat Washer 3/8" ID
10	LEA7763001	2	Foot
11	7340201	2	Cover Foot - Straight
12	7800401	2	Large Cap
13	7348001	2	Label Life Fitness Logo
14	7878702	2	Guard Bar Rest
15	8101501	2	Bumper Sleeve

\*\* Upholstery and Frame Colors are list at the end of the Parts Manual \*\*

## Right Side Frame Assembly

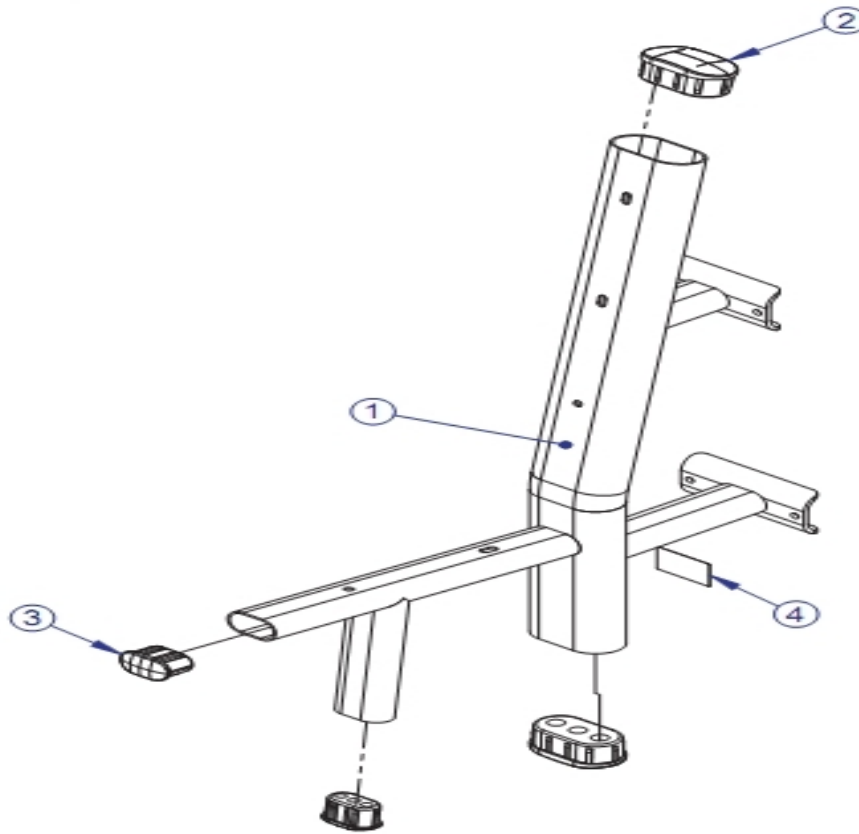


Ref #	Part Number	Qty	Description
1	8157799	1	Assembly, SOMB, Right Side Frame Custom
2	LEA3256202	17	Hardware: Screw 25MM
3	3251202	4	Hardware: Screw 25MM
4	LEA3242002	4	Hardware: Hex Nut 10MM D
5	7804601	2	Bar Catch Guard
6	8077501	2	Bar Catch Guard Lower
7	7804501	3	Bar Catch Hook
8,9	3102514	21	Hardware: Flat Washer 3/8" ID
10	LEA7763001	2	Foot
11	7340201	2	Cover Foot - Straight
12	7800401	2	Large Cap
13	7348001	2	Label Life Fitness Logo
14	7878702	2	Guard Bar Rest
15	8101501	2	Bumper Sleeve
16	LEA7002401	1	Warning Label Vertical

\*\* Upholstery and Frame Colors are list at the end of the Parts Manual \*\*

## Seat Frame Assembly

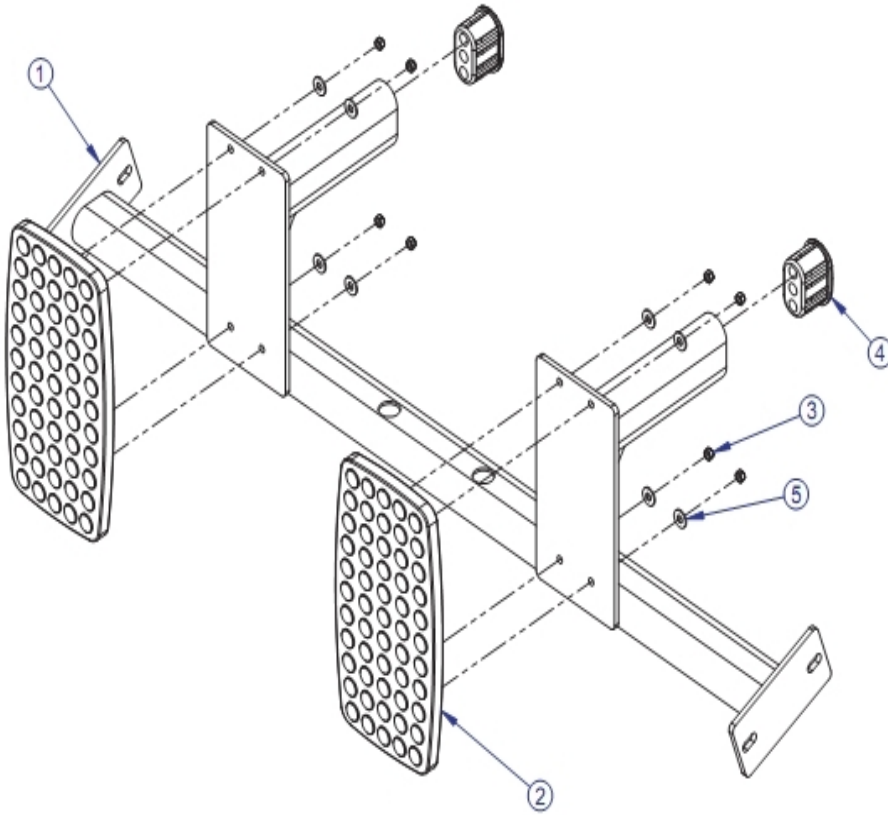
---



Ref #	Part Number	Qty	Description
1	8158399	1	Assembly, SOMB, Seat Frame Custom
2	7800401	2	Large Cap
3	7800501	2	Small Cap
4	7094101	1	NLA: LABEL, SERIAL NUMBER

\*\* Upholstery and Frame Colors are list at the end of the Parts Manual \*\*

## Spotter Platform Assembly



Ref #	Part Number	Qty	Description
1	8159599	1	Weldment, SOMB, Spotter Stand Custom
2	LEA7640301	2	Foot Pad CM/MJ Overmold
3	3242003	8	Hardware: Nut Nylock 1" OD
4	7800501	2	Small Cap
5	3102506	8	Hardware: Flat Washer 1/4" ID

\*\* Upholstery and Frame Colors are list at the end of the Parts Manual \*\*

# Frame and Upholstery Color Chart

## Frame Colors



Note: Include frame color in order notes when ordering frame assemblies or weldments.

## Upholstery Colors



Replace '99' with the above color suffix when ordering pads (i.e. 7412399 = 7412301 BLACK)

