

Signature Series Plate-Loaded - Incline Press

SPLIP

Parts Manual

1/5/2019 16:46:02 PM

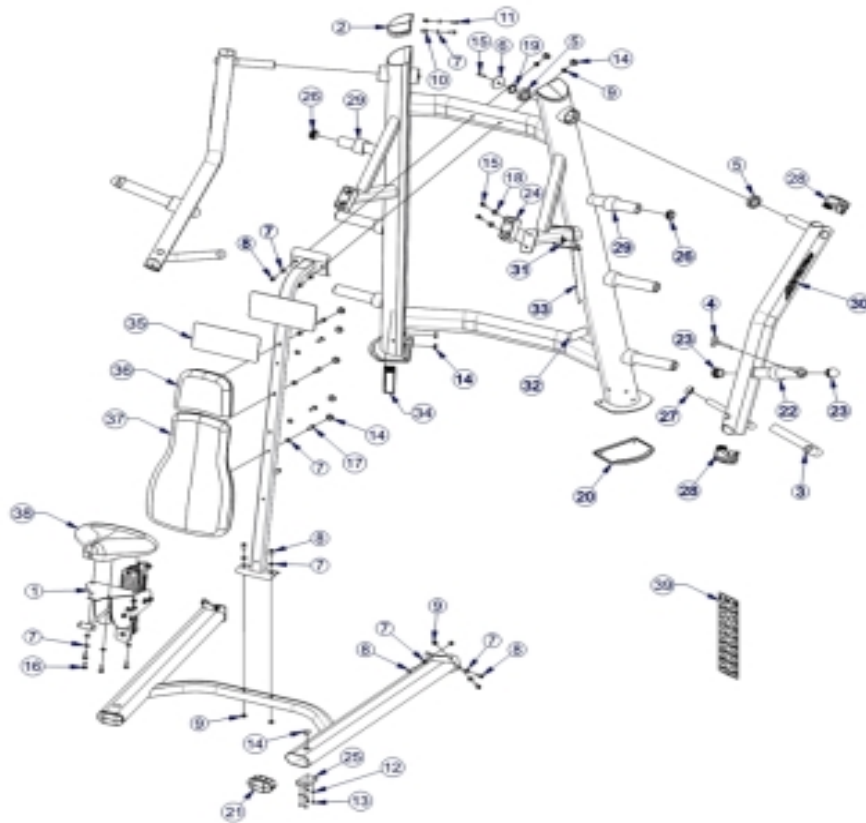


Table of Contents

[Component Assembly](#).....3
[Labels and Placards](#).....5
[Painted Frame Weldments without Weight Horns](#).....6
[Painted Frame Weldments with Weight Horns](#).....7
[90 Deg Spl Seat Assembly](#).....8

** Upholstery & Frame Colors are listed at the end of the Parts Manual **

Component Assembly



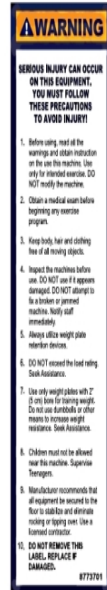
Ref #	Part Number	Qty	Description
2	7326295	2	Cap D-Tube-Top
3	3235802	2	Grip 1.5" OD
4	8722401	2	Selector Pin
5	3243201	4	Ball Bearing
6	8722595	2	Cover Plate - Shadow Gray
7	3273303	23	Hardware: WasherR, 3/8, THRU-HARDENED
8	3236202	12	Hardware: Screw 25MM
9	3236801	10	Hardware: Nut 10 MM ID
10	3238601	4	Blind Thread Insert - 1.5"
11	3236201	4	Hardware: Screw 20MM
12	3114407	8	Hardware: Flat Washer
13	3270601	8	Hardware: Screw 3/8"
14	3237403	13	Plug 1" Hole
15	3236203	4	Hardware: Screw 30MM
16	3251202	4	Hardware: Screw 25MM
17	3251204	5	Hardware: Screw 35MM
18	3241401	4	WASHER FLAT 12MM SS
19	8752801	2	Pivot O-ring
20	8708801	2	SPL Foot Slipper
21	7800401	2	Large Cap
22	8813401	2	Flat Bumper Weight Horn - medium
23	8593501	4	Cap

Ref #	Part Number	Qty	Description
24	8722301	2	H-style Bumper
25	8708901	2	Rubber Foot Pad
26	8078001	6	End Cap
27	7662902	2	Grip Cap
28	7333901	4	End Cap FLOV Large
29	8813201	6	D-tube Bumper Weight Horn
30	8866901	2	Label LF Logo 10 IN. - Flat
31	8039501	2	Label Warning Triangle 10-0099-067 BNR
32	7571301	1	Label Serial Number
33	8343101	1	Tag - Bolt To Floor
34	8773799	1	Label, ASTM, Placard Vertical - Custom
35	8789099	1	Placard, SPLIP, Instructions - Custom
36	7474399	1	ASSY, HEAD REST PAD Custom
37	7474199	1	ASSY, LARGE BACK PAD Custom
38	7297199	1	PAD, SEAT SADDLE Custom
39	8351801	1	Labe Sheet Weight Horn

** Upholstery and Frame Colors are list at the end of the Parts Manual **

Labels and Placards

ASTM Warning Label



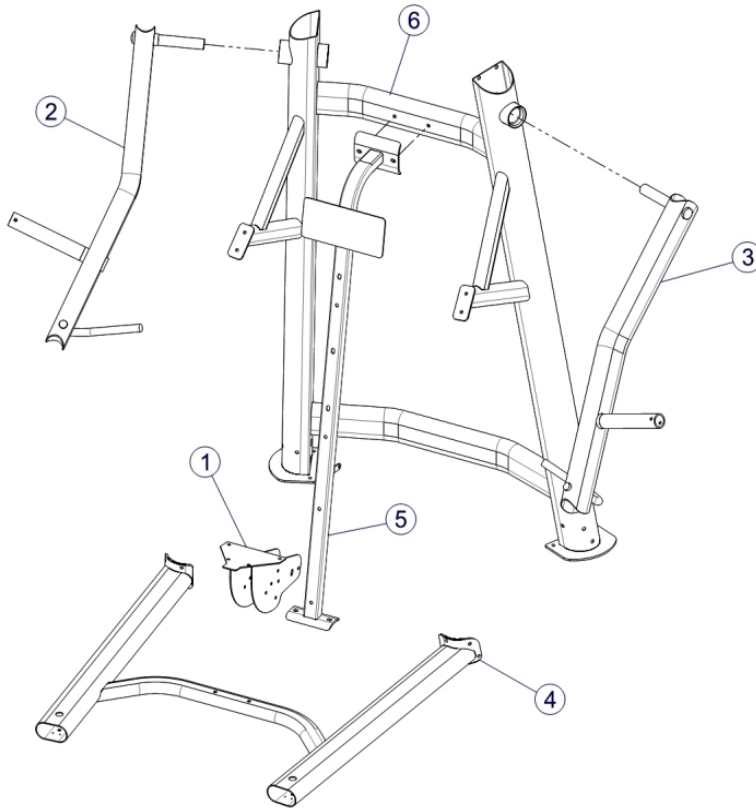
Instructional Placard



Ref #	Part Number	Qty	Description
-	8773705	1	Label, ASTM, Placard Vertical - Italian
-	8789007	1	Placard, SPLIP, Instructions - Japanese
-	8789008	1	Placard, SPLIP, Instructions - Portugese
-	8773701	1	Label, ASTM, Placard Vertical - English
-	8773704	1	Label, ASTM, Placard Vertical - Spanish
-	8789001	1	Placard, SPLIP, Instructions - English
-	8789004	1	Placard, SPLIP, Instructions - Spanish
-	8789006	1	Placard, SPLIP, Instructions - Dutch
-	8789002	1	Placard, SPLIP, Instructions - German
-	8773702	1	Label, ASTM, Placard Vertical - German
-	8773707	1	Label, ASTM, Placard Vertical - Japanese
-	8789005	1	Placard, SPLIP, Instructions - Italian
-	8773703	1	Label, ASTM, Placard Vertical - French
-	8773706	1	Label, ASTM, Placard Vertical - Dutch
-	8773708	1	Label, ASTM, Placard Vertical - Portugese
-	8789003	1	Placard, SPLIP, Instructions - French

** Upholstery and Frame Colors are list at the end of the Parts Manual **

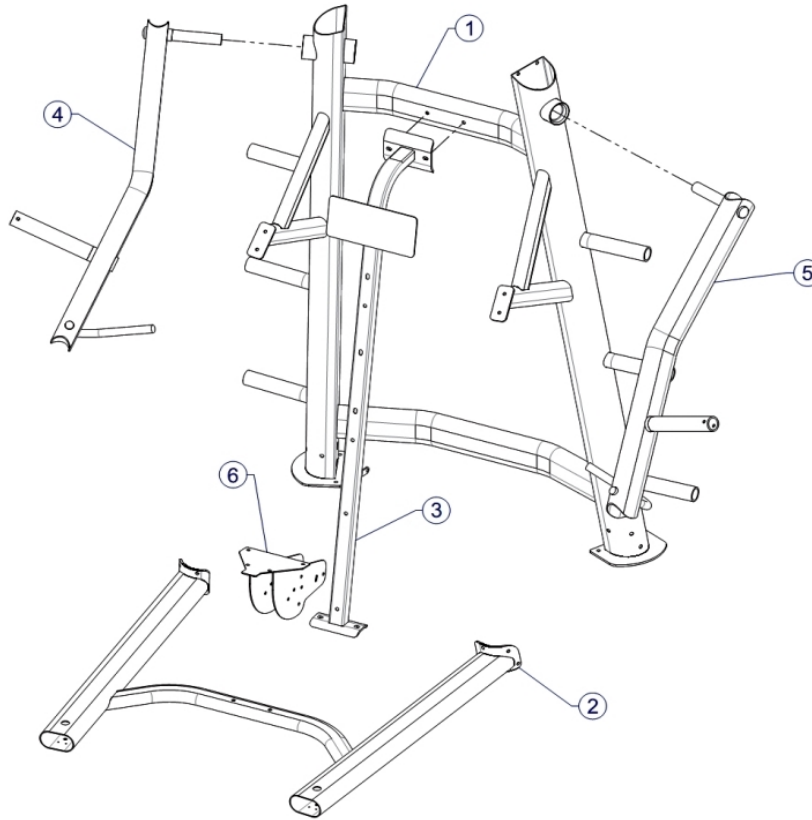
Painted Frame Weldments without Weight Horns



Ref #	Part Number	Qty	Description
1	8707700	1	Weldment SPL 90 Deg Roller Seat
2	8707800	1	Weldment SPLIP Workarm -Right
3	8707900	1	Weldment SPLIP Workarm -Left
4	8709300	1	Wldmt SPLIP Base Frame
5	8760700	1	Weldment SPLIP Back Frame
6	1000159-0000	1	WLDMT, SPLIP, MAIN FRAME, W/O WGT HORNS

** Upholstery and Frame Colors are list at the end of the Parts Manual **

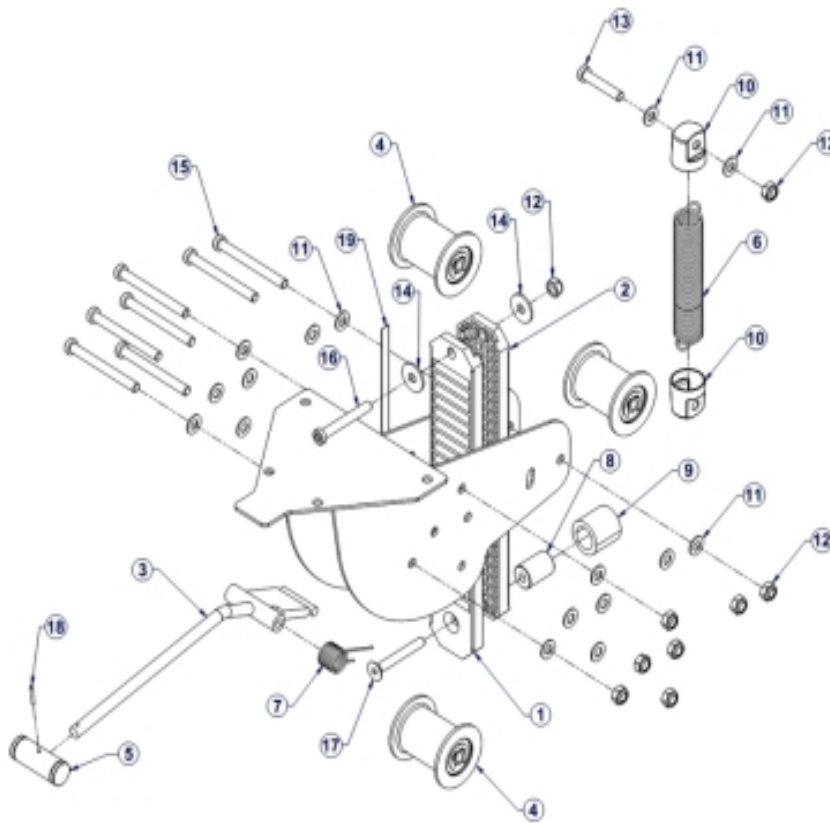
Painted Frame Weldments with Weight Horns



Ref #	Part Number	Qty	Description
1	1000160-0000	1	WLDMT, SPLIP MAIN FRAME
2	8709300	1	Wldmt SPLIP Base Frame
3	8760700	1	Weldment SPLIP Back Frame
4	8707800	1	Weldment SPLIP Workarm -Right
5	8707900	1	Weldment SPLIP Workarm -Left
6	8707700	1	Weldment SPL 90 Deg Roller Seat

** Upholstery and Frame Colors are list at the end of the Parts Manual **

90 Deg Spl Seat Assembly



Ref #	Part Number	Qty	Description
1	8416801	1	Track Seat - Serrated (20 Slots)
2	7564401	1	Seatrack Flat
3	8708595	1	Weldment SPL Release Handle SG
4	7564201	3	Assembly Seat Roller
5	7287903	1	Adjuster Handle
5	7287901	1	Handle Adjuster
6	7442601	1	Spring PRO2 Roller Seat
7	7442701	1	Spring PRO2 Handle Torsion
8	7570601	1	Stop Roller Seat
9	3235804	1	Grip 1.5" OD
10	8719701	2	Spring End Cap
11	3273303	16	Hardware: WasherR, 3/8, THRU-HARDENED
12	3236801	9	Hardware: Nut 10 MM ID
13	3236208	1	Hardware: Screw 55MM
14	3236602	2	Washer 3/8"
15	3236217	7	Hardware: Screw 100MM
16	3236212	1	Hardware: Screw 75MM
17	3238312	1	Hardware: Screw 75mm
18	3110010	1	Roll Pin 1/8" D X 7/8" L
19	7422002	1	Label Seat Adjust

** Upholstery and Frame Colors are list at the end of the Parts Manual **

Frame and Upholstery Color Chart

Frame Colors



Note: Include frame color in order notes when ordering frame assemblies or weldments.

Upholstery Colors



Replace '99' with the above color suffix when ordering pads (i.e. 7412399 = 7412301 BLACK)

