

Signature Series Plate-Loaded - Leg Extension

SPLLE

Parts Manual

1/5/2019 16:46:04 PM





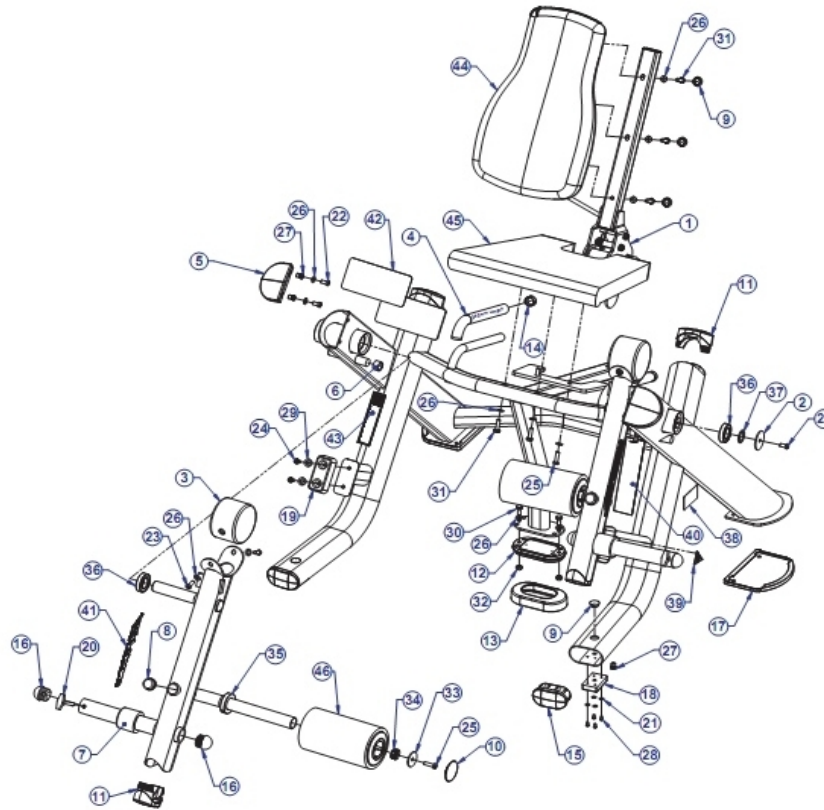
**SPLLE - SIGNATURE SERIES
PLATE-LOADED - LEG EXTENSION**

Table of Contents

Component Assembly	3
Labels and Placards	5
Painted Frame Weldments	6
Seat Assembly	7

** Upholstery & Frame Colors are listed at the end of the Parts Manual **

Component Assembly



Ref #	Part Number	Qty	Description
1	8846001	1	Assy SPLLE Roller Seatback - Gray Handle
2	8722595	2	Cover Plate - Shadow Gray
3	7801901	2	Small Counter Weight-Coated
4	3235801	2	Grip - 1.25" OD
5	7326295	2	Cap D-Tube-Top
6	7690101	2	Bumper Sleeve- 1.000 ID
7	8816901	2	Flat Bumper Weight Horn - Large
8	3119306	2	End Cap 1.5" D
9	3237403	7	Plug 1" Hole
10	7308701	2	Cap Bearing Housing
11	7333901	4	End Cap FLOV Large
12	7334001	1	Foot 2.50 X 4.49 Flov 10-0074-046 BNR
13	7340201	1	Cover Foot - Straight
14	7662901	2	Grip Cap
15	7800401	2	Large Cap
16	8593501	4	Cap
17	8708801	2	SPL Foot Slipper
18	8708901	2	Rubber Foot Pad
19	8722301	2	H-style Bumper
20	8722401	2	Selector Pin
21	3114407	8	Hardware: Flat Washer
22	3236201	6	Hardware: Screw 20MM

Ref #	Part Number	Qty	Description
23	3236202	4	Hardware: Screw 25MM
24	3236203	4	Hardware: Screw 30MM
25	3236204	4	Hardware: Screw 35MM
26	3273303	17	Hardware: WasherR, 3/8, THRU-HARDENED
27	3238601	6	Blind Thread Insert - 1.5"
28	3239101	8	Hardware: Phillips Pan Screw
29	3241401	4	WASHER FLAT 12MM SS
30	3251202	2	Hardware: Screw 25MM
31	3251204	5	Hardware: Screw 35MM
32	3254703	2	Hardware: Nut 10 MM ID
33	7322301	2	Plate 1.97 OD X .447 ID 10 GA
34	7347301	2	Hardware: Nut 10 MM ID
35	7357901	2	Shaft Collar
36	3243201	4	Ball Bearing
37	8752801	2	Pivot O-ring
38	7571301	1	Label Serial Number
39	8039501	2	Label Warning Triangle 10-0099-067 BNR
40	8343101	1	Tag - Bolt To Floor
41	8866901	2	Label LF Logo 10 IN. - Flat
42	8838199	1	Placard, SPLLE, Instructions - Custom
43	8773799	1	Label, ASTM, Placard Vertical - Custom
44	7474199	1	ASSY, LARGE BACK PAD Custom
45	7399299	1	Pad, Seat 21 X 20-1/16 Custom
46	7424799	2	ASSY, ROLLER PAD SHORT Custom

** Upholstery and Frame Colors are list at the end of the Parts Manual **

Labels and Placards

ASTM Warning Label



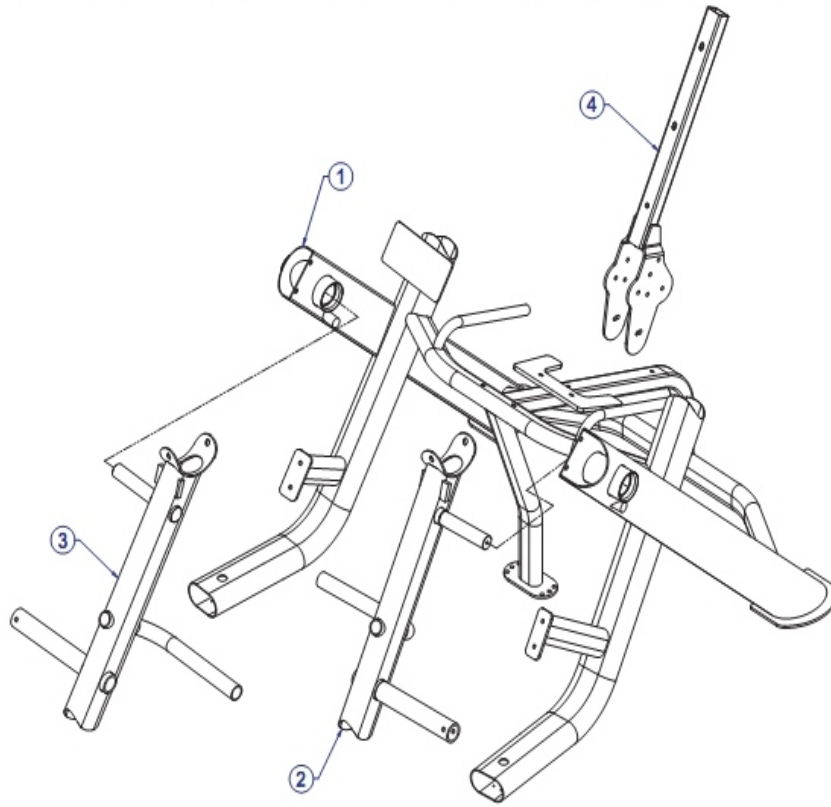
Instructional Placard



Ref #	Part Number	Qty	Description
-	8838108	1	Placard, SPLLE, Instructions - Portugese
-	8773708	1	Label, ASTM, Placard Vertical - Portugese
-	8773706	1	Label, ASTM, Placard Vertical - Dutch
-	8773703	1	Label, ASTM, Placard Vertical - French
-	8838103	1	Placard, SPLLE, Instructions - French
-	8773707	1	Label, ASTM, Placard Vertical - Japanese
-	8773702	1	Label, ASTM, Placard Vertical - German
-	8838110	1	Placard, SPLLE, Instructions - Russian
-	8838106	1	Placard, SPLLE, Instructions - Dutch
-	8838111	1	Placard, SPLLE, Instructions - Turkish
-	8838104	1	Placard, SPLLE, Instructions - Spanish
-	8773704	1	Label, ASTM, Placard Vertical - Spanish
-	8773701	1	Label, ASTM, Placard Vertical - English
-	8838102	1	Placard, SPLLE, Instructions - German
-	8838101	1	Placard, SPLLE, Instructions - English
-	8773705	1	Label, ASTM, Placard Vertical - Italian
-	8838107	1	Placard, SPLLE, Instructions - Japanese
-	8838105	1	Placard, SPLLE, Instructions - Italian

** Upholstery and Frame Colors are list at the end of the Parts Manual **

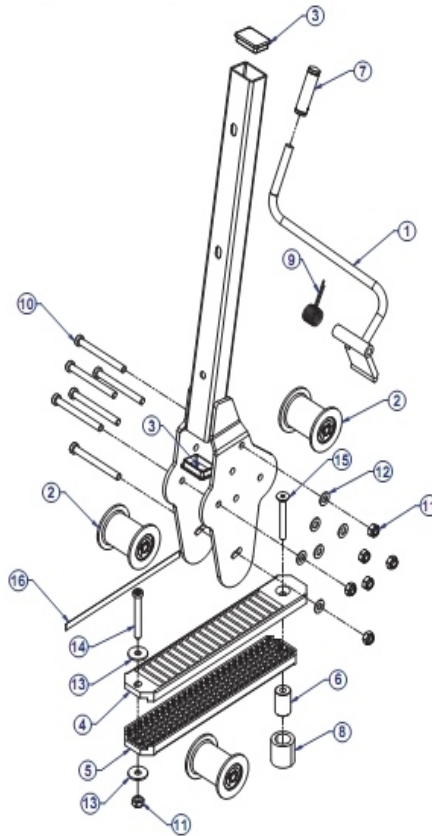
Painted Frame Weldments



Ref #	Part Number	Qty	Description
2	8845200	1	Weldment SPLLE Workarm - Lt
3	8845300	1	Weldment SPLLE Workarm - Rt
4	8845700	1	Weldment SPLLE Seat Back

** Upholstery and Frame Colors are list at the end of the Parts Manual **

Seat Assembly



Ref #	Part Number	Qty	Description
1	8845995	1	Weldment SPLLE Roller Seat Handle - Sg
2	7564201	3	Assembly Seat Roller
3	7352201	2	End Cap
4	8416801	1	Track Seat - Serrated (20 Slots)
5	7564401	1	Seatrack Flat
6	7570601	1	Stop Roller Seat
7	7681903	1	Remote Handle Yellow
7	7681901	1	Remote Handle Shadow Gray
8	3235804	1	Grip 1.5" OD
9	7442701	1	Spring PRO2 Handle Torsion
10	3236217	6	Hardware: Screw 100MM
11	3236801	7	Hardware: Nut 10 MM ID
12	3273303	6	Hardware: WasherR, 3/8, THRU-HARDENED
13	3236602	2	Washer 3/8"
14	3236212	1	Hardware: Screw 75MM
15	3238312	1	Hardware: Screw 75mm
16	7422002	1	Label Seat Adjust

** Upholstery and Frame Colors are list at the end of the Parts Manual **

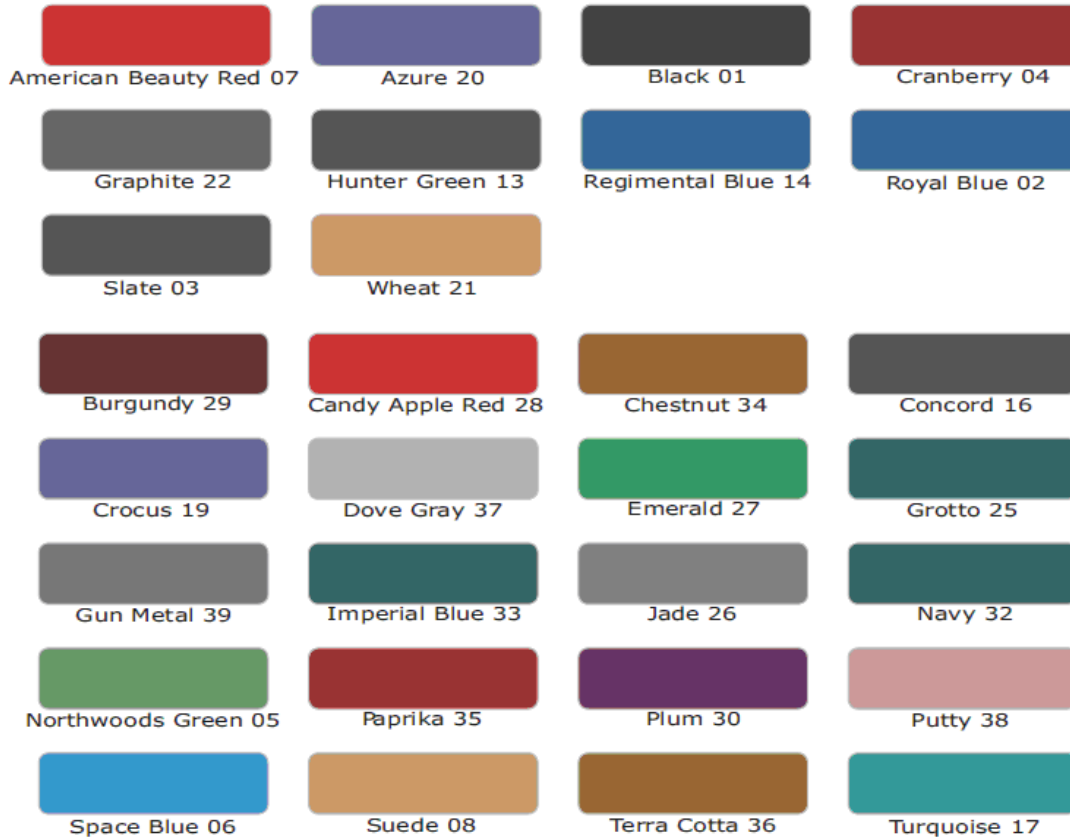
Frame and Upholstery Color Chart

Frame Colors



Note: Include frame color in order notes when ordering frame assemblies or weldments.

Upholstery Colors



Replace '99' with the above color suffix when ordering pads (i.e. 7412399 = 7412301 BLACK)

