

Signature Series Plate-Loaded - Pull Down

SPLPD

Parts Manual

1/5/2019 16:46:04 PM



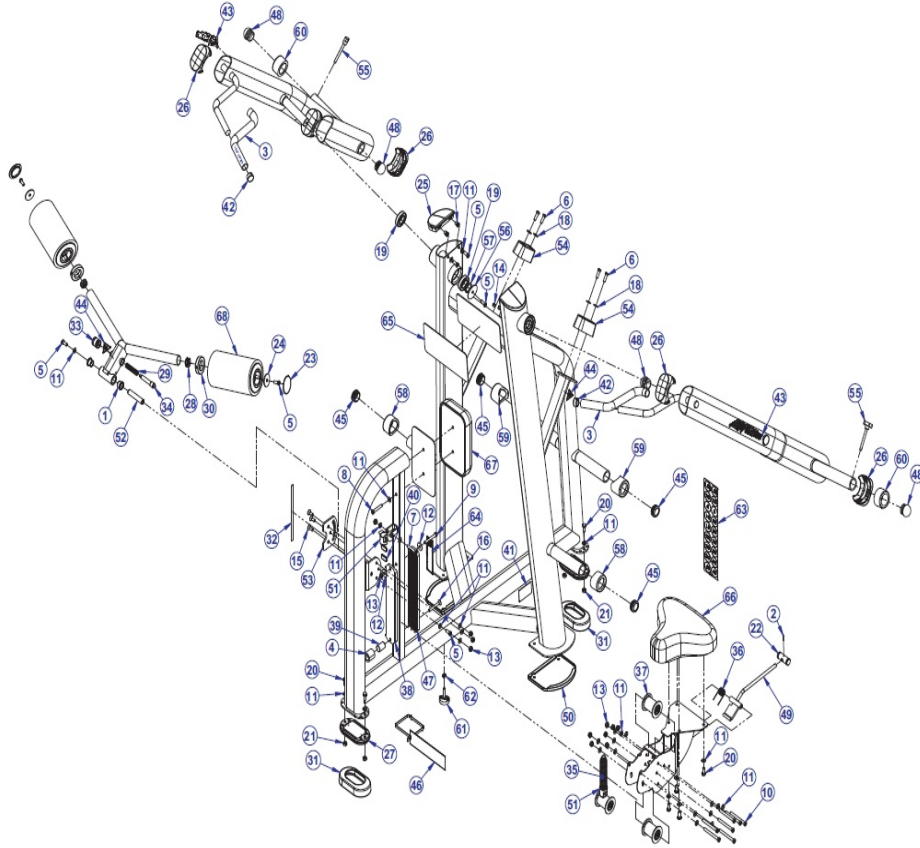


Table of Contents

| | |
|---|---|
| Component Assembly | 3 |
| Labels and Placards | 5 |
| Painted Frame Weldments | 6 |

** Upholstery & Frame Colors are listed at the end of the Parts Manual **

Component Assembly



| Ref # | Part Number | Qty | Description |
|-------|-------------|-----|---------------------------------------|
| 1 | 3104901 | 2 | Bearing 3/4" ID 1" OD |
| 2 | 3110010 | 1 | Roll Pin 1/8" D X 7/8" L |
| 3 | 3235801 | 2 | Grip - 1.25" OD |
| 4 | 3235804 | 1 | Grip 1.5" OD |
| 5 | 3236202 | 10 | Hardware: Screw 25MM |
| 6 | 3236203 | 4 | Hardware: Screw 30MM |
| 7 | 3236208 | 1 | Hardware: Screw 55MM |
| 8 | 3236209 | 2 | Hardware: Screw 60MM |
| 9 | 3236212 | 1 | Hardware: Screw 75MM |
| 10 | 3236217 | 7 | Hardware: Screw 100MM |
| 11 | 3273303 | 35 | Hardware: WasherR, 3/8, THRU-HARDENED |
| 12 | 3236602 | 2 | Washer 3/8" |
| 13 | 3236801 | 12 | Hardware: Nut 10 MM ID |
| 14 | 3237402 | 2 | Plug 1/2" Hole |
| 15 | 3238302 | 3 | Hardware: Screw 25MM |
| 16 | 3238312 | 1 | Hardware: Screw 75mm |
| 17 | 3238601 | 4 | Blind Thread Insert - 1.5" |
| 18 | 3241401 | 4 | WASHER FLAT 12MM SS |
| 19 | 3243201 | 4 | Ball Bearing |
| 20 | 3251202 | 8 | Hardware: Screw 25MM |
| 21 | 3254703 | 4 | Hardware: Nut 10 MM ID |
| 22 | 7287903 | 1 | Adjuster Handle |

| Ref # | Part Number | Qty | Description |
|-------|-----------------|-----|---|
| 22 | 7287901 | 1 | Handle Adjuster |
| 23 | 7308701 | 2 | Cap Bearing Housing |
| 24 | 7322301 | 2 | Plate 1.97 OD X .447 ID 10 GA |
| 25 | 7326295 | 2 | Cap D-Tube-Top |
| 26 | 7333901 | 6 | End Cap FLOV Large |
| 27 | 7334001 | 2 | Foot 2.50 X 4.49 Flov 10-0074-046 BNR |
| 28 | 7347301 | 2 | Hardware: Nut 10 MM ID |
| 29 | 7351501 | 1 | Pull Pin Spring |
| 30 | 7357901 | 2 | Shaft Collar |
| 31 | 7419701 | 2 | Cover Foot 10 Deg |
| 32 | 7422002 | 1 | Label Seat Adjust |
| 33 | 7424801 | 1 | Pop Pin Knob |
| 33 | 7424803 | 1 | KNOB TULIP STYLE |
| 34 | 7425103 | 1 | Pull Pin 4.250 |
| 35 | 7442601 | 1 | Spring PRO2 Roller Seat |
| 36 | 7442701 | 1 | Spring PRO2 Handle Torsion |
| 37 | 7564201 | 3 | Assembly Seat Roller |
| 38 | 7564401 | 1 | Seatrack Flat |
| 39 | 7570601 | 1 | Stop Roller Seat |
| 40 | 7570801 | 2 | Guard Paint 1.25 X .75 X .25 |
| 41 | 7571301 | 1 | Label Serial Number |
| 42 | 7662901 | 2 | Grip Cap |
| 43 | 8866901 | 2 | Label LF Logo 10 IN. - Flat |
| 44 | 8039501 | 3 | Label Warning Triangle 10-0099-067 BNR |
| 45 | 8078001 | 4 | End Cap |
| 46 | 8343101 | 1 | Tag - Bolt To Floor |
| 47 | 8416801 | 1 | Track Seat - Serrated (20 Slots) |
| 48 | 8593501 | 4 | Cap |
| 49 | 8708595 | 1 | Weldment SPL Release Handle SG |
| 50 | 8708801 | 2 | SPL Foot Slipper |
| 51 | 8719701 | 2 | Spring End Cap |
| 52 | 8720801 | 1 | Shaft .75" |
| 53 | 8721001 | 1 | Plate SPL Selector |
| 54 | 8722301 | 2 | H-style Bumper |
| 55 | 8722401 | 2 | Selector Pin |
| 56 | 8722595 | 2 | Cover Plate - Shadow Gray |
| 57 | 8752801 | 2 | Pivot O-ring |
| 58 | 8813201 | 2 | D-tube Bumper Weight Horn |
| 59 | 8813301 | 2 | Bumper Weight Horn - Medium |
| 60 | 8813401 | 2 | Flat Bumper Weight Horn - medium |
| 61 | 0K68-01047-0000 | 1 | Leg Leveler |
| 62 | 0017-00103-0330 | 1 | Hardware: Nut 10 MM ID |
| 63 | 8351801 | 1 | Labe Sheet Weight Horn |
| 64 | 8773799 | 1 | Label, ASTM, Placard Vertical - Custom |
| 65 | 8720999 | 1 | Placard, SPLPD, Instructions - Custom |
| 66 | 7297199 | 1 | PAD, SEAT SADDLE Custom |
| 67 | 8720299 | 1 | Pad, 7 In X 11-1/4 In, No Backingtom Custom |

** Upholstery and Frame Colors are list at the end of the Parts Manual **

Labels and Placards

ASTM Warning Label



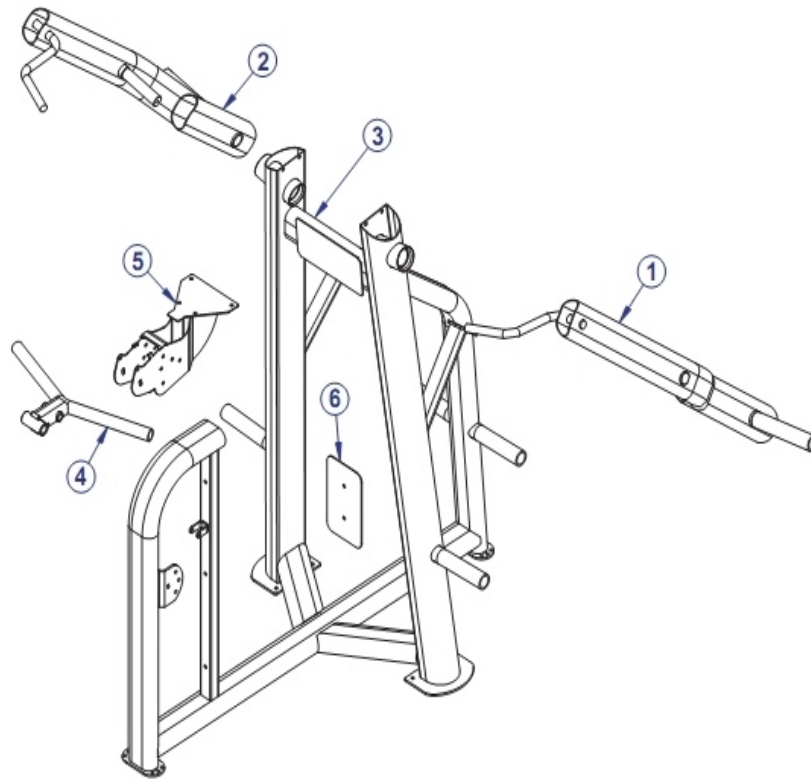
Instructional Placard



| Ref # | Part Number | Qty | Description |
|-------|-------------|-----|---|
| 68 | 7424799 | 2 | ASSY, ROLLER PAD SHORT Custom |
| - | 8773704 | 1 | Label, ASTM, Placard Vertical - Spanish |
| - | 8773701 | 1 | Label, ASTM, Placard Vertical - English |
| - | 8720902 | 1 | Placard, SPLPD, Instructions - German |
| - | 8720908 | 1 | Placard, SPLPD, Instructions - Portugese |
| - | 8720906 | 1 | Placard, SPLPD, Instructions - Dutch |
| - | 8773705 | 1 | Label, ASTM, Placard Vertical - Italian |
| - | 8720907 | 1 | Placard, SPLPD, Instructions - Japanese |
| - | 8720903 | 1 | Placard, SPLPD, Instructions - French |
| - | 8720905 | 1 | Placard, SPLPD, Instructions - Italian |
| - | 8773708 | 1 | Label, ASTM, Placard Vertical - Portugese |
| - | 8773706 | 1 | Label, ASTM, Placard Vertical - Dutch |
| - | 8773703 | 1 | Label, ASTM, Placard Vertical - French |
| - | 8720904 | 1 | Placard, SPLPD, Instructions - Spanish |
| - | 8773707 | 1 | Label, ASTM, Placard Vertical - Japanese |
| - | 8720901 | 1 | Placard, SPLPD, Instructions - English |
| - | 8773702 | 1 | Label, ASTM, Placard Vertical - German |

** Upholstery and Frame Colors are list at the end of the Parts Manual **

Painted Frame Weldments



| Ref # | Part Number | Qty | Description |
|-------|-------------|-----|--------------------------------|
| 1 | 8714300 | 1 | Weldment SPLPD Workarm - Left |
| 2 | 8714600 | 1 | Weldment SPLPD Workarm - Right |
| 3 | 8715600 | 1 | Weldment SPLPD Main Frame |
| 4 | 8716200 | 1 | Weldment Hold Down |
| 5 | 8718300 | 1 | Weldment 90 Deg Seat Reversed |
| 6 | 8719601 | 1 | Steel Plate |

** Upholstery and Frame Colors are list at the end of the Parts Manual **

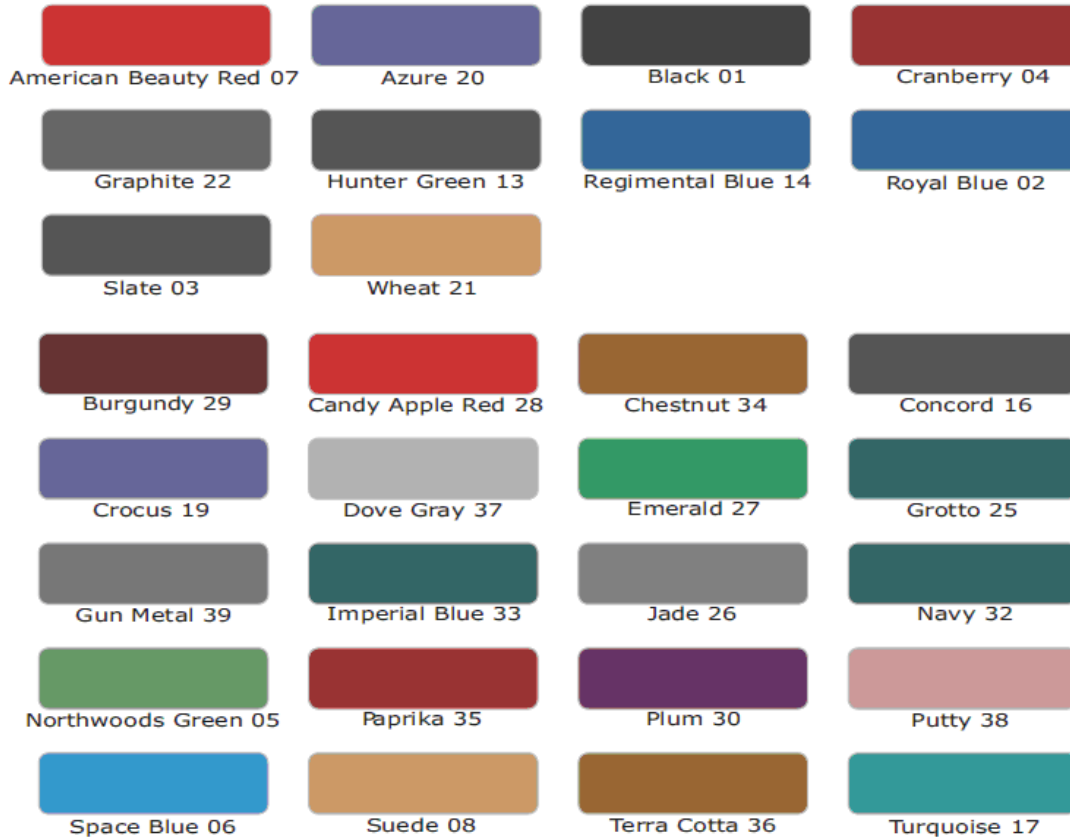
Frame and Upholstery Color Chart

Frame Colors



Note: Include frame color in order notes when ordering frame assemblies or weldments.

Upholstery Colors



Replace '99' with the above color suffix when ordering pads (i.e. 7412399 = 7412301 BLACK)

