

STRUCTURE 4' FREE STANDING STORAGE

ST-FSS4

Parts Manual

1/5/2019 16:56:00 PM



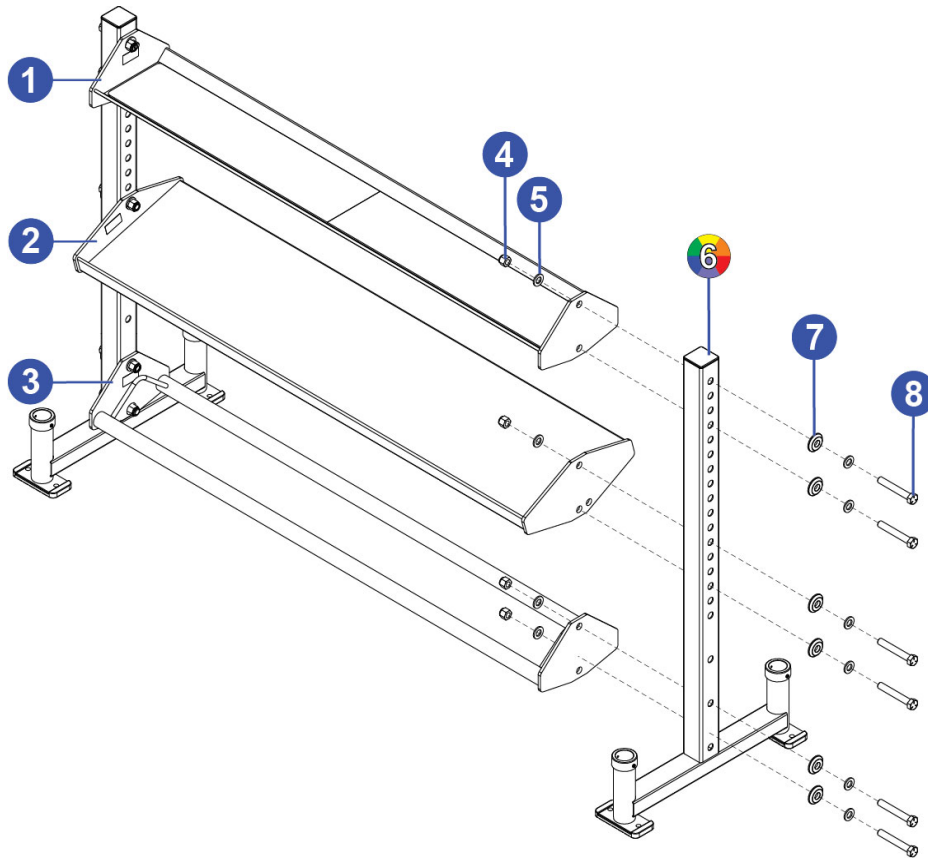


**ST-FSS4 - STRUCTURE 4' FREE
STANDING STORAGE**

Table of Contents

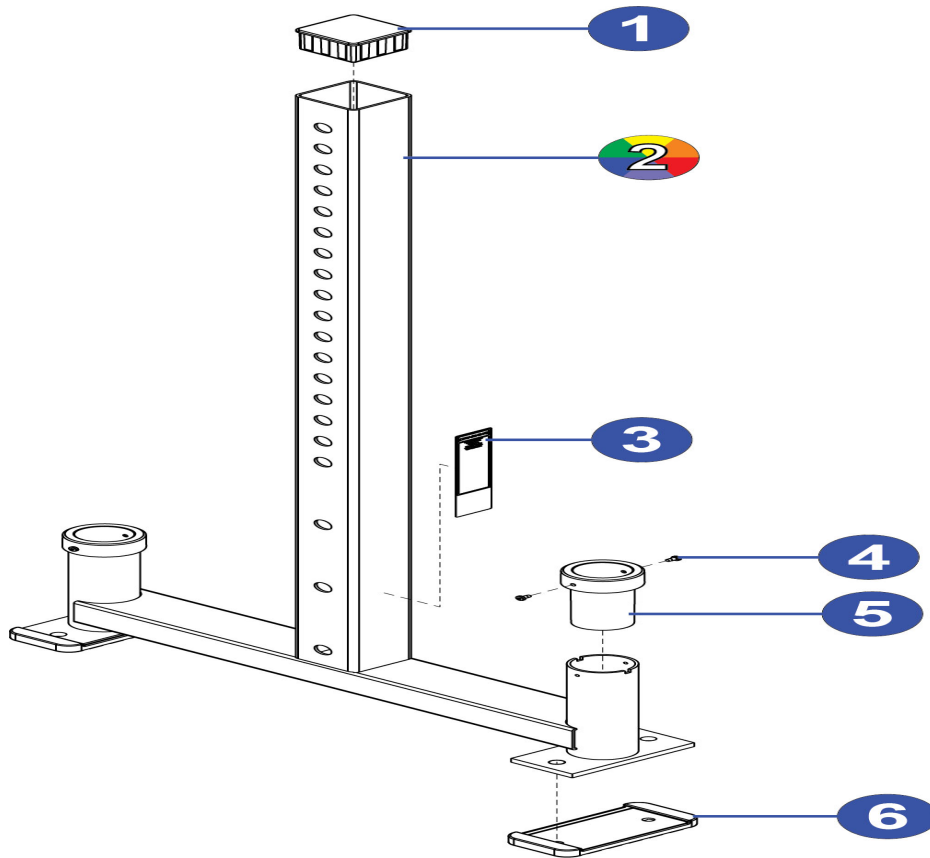
[Free Standing Storage Assembly.....](#)3
[Free Standing Storage Base Assembly.....](#)4
[Free Standing Storage Tray Components.....](#)5
[Hardware Blister Pack.....](#)6

Free Standing Storage Assembly



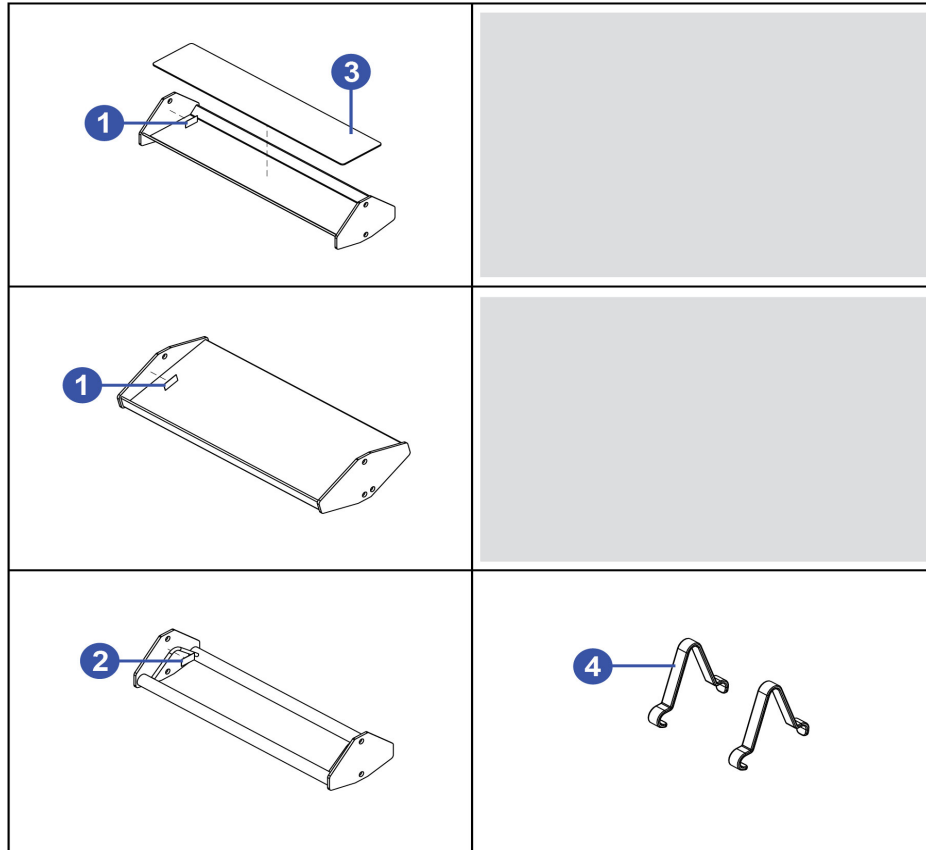
Ref #	Part Number	Qty	Description
1	1003009-0000	3	ASSY, AT, KB TRAY, 42, SUB
2	1003011-0000	3	ASSY, AT, DB TRAY, 42, SUB
3	1003010-0000	3	ASSY, AT, BP TRAY, 42, SUB
4	3102808	12	
5	1000599-0001	24	WASHER, 3/4 IN SAE, ZN
6	1001144-0000	2	ASSY, AT-FSS, BASE
7	1001341-0001	12	SPACER, 2.25 OD X 3/8
8	1000598-0018	12	SCREW, 3/4-10 X 5, GRADE 5, HHCS ZN

Free Standing Storage Base Assembly



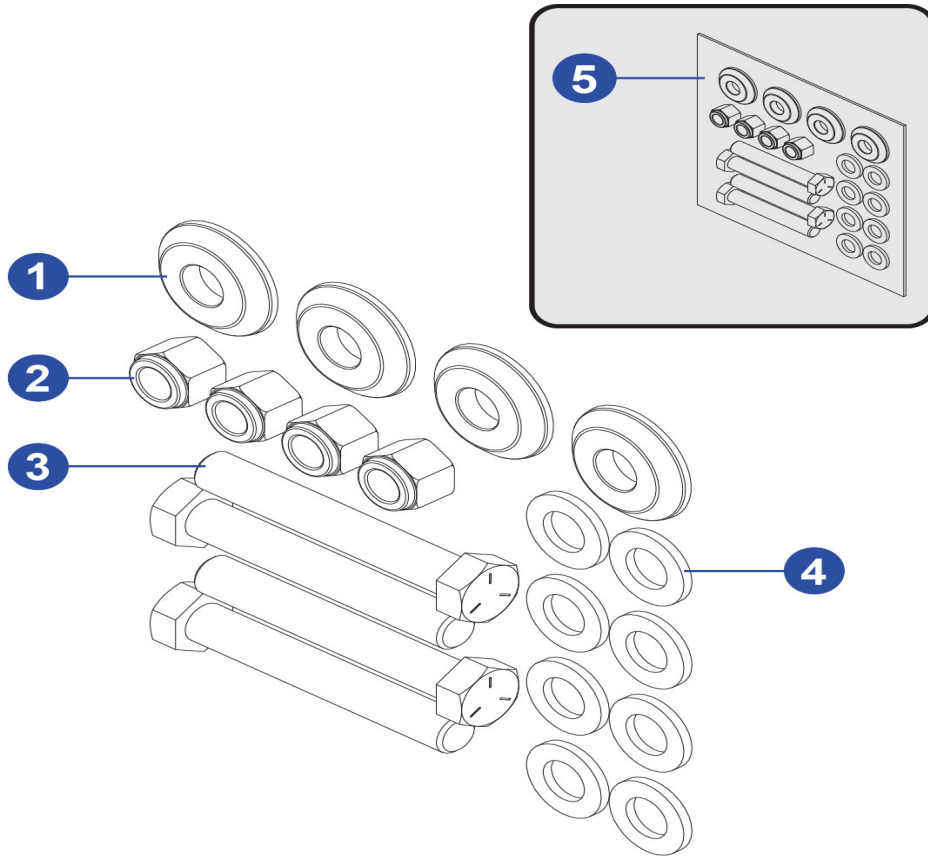
Ref #	Part Number	Qty	Description
1	1000557-0001	1	CAP, 3X3 11GA, END
2	1001149-0000	1	WLDMT, AT, FS STG, BASE
3	1002324-0001	1	LABEL, WARN, VERT, MULTI-LANG SHEET
4	3270601	4	Hardware: Screw 3/8"
5	9045101	2	CAP, HDE, LANDMINE, WORK ARM
6	MM-9	2	Cushion: 3 X 6 Flange Rubber Slipper

Free Standing Storage Tray Components



Ref #	Part Number	Qty	Description
1	1001179-0001	1	LABEL, MAX CAPACITY, 680 LB
2	1001180-0001	1	LABEL, MAX CAPACITY, 1485 LB
3	1001969-0001	1	RUBBER, KB TRAY, 42
4	1001138-0001	1	BRKT, 1/4, BP DIVIDER

Hardware Blister Pack



Ref #	Part Number	Qty	Description
1	1001341-0001	4	SPACER, 2.25 OD X 3/8
2	3102808	4	
3	1000598-0018	4	SCREW, 3/4-10 X 5, GRADE 5, HHCS ZN
4	1000599-0001	8	WASHER, 3/4 IN SAE, ZN
5	1001506-0001	1	ASSY, AT, BLISTER PACK 1

