

STRUCTURE MULTI-ADJUSTABLE BENCH

ST-MAB

Parts Manual

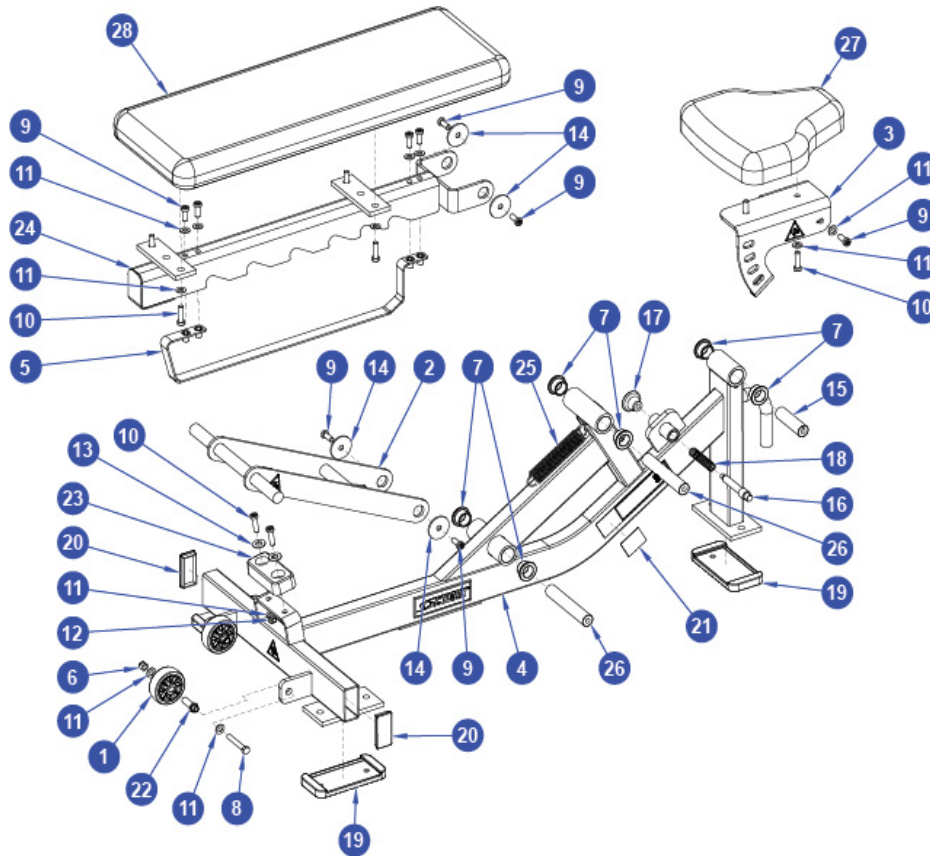
1/5/2019 16:57:23 PM



Table of Contents

[Multi Adjustable Bench Assembly.....](#)3
[Multi Adjustable Bench Guard Assembly.....](#)5
[Multi Adjustable Bench Main Frame Assembly.....](#)6
[Multi Adjustable Bench Seat Mount Assembly.....](#)7
[Multi Adjustable Bench Support Assembly.....](#)8

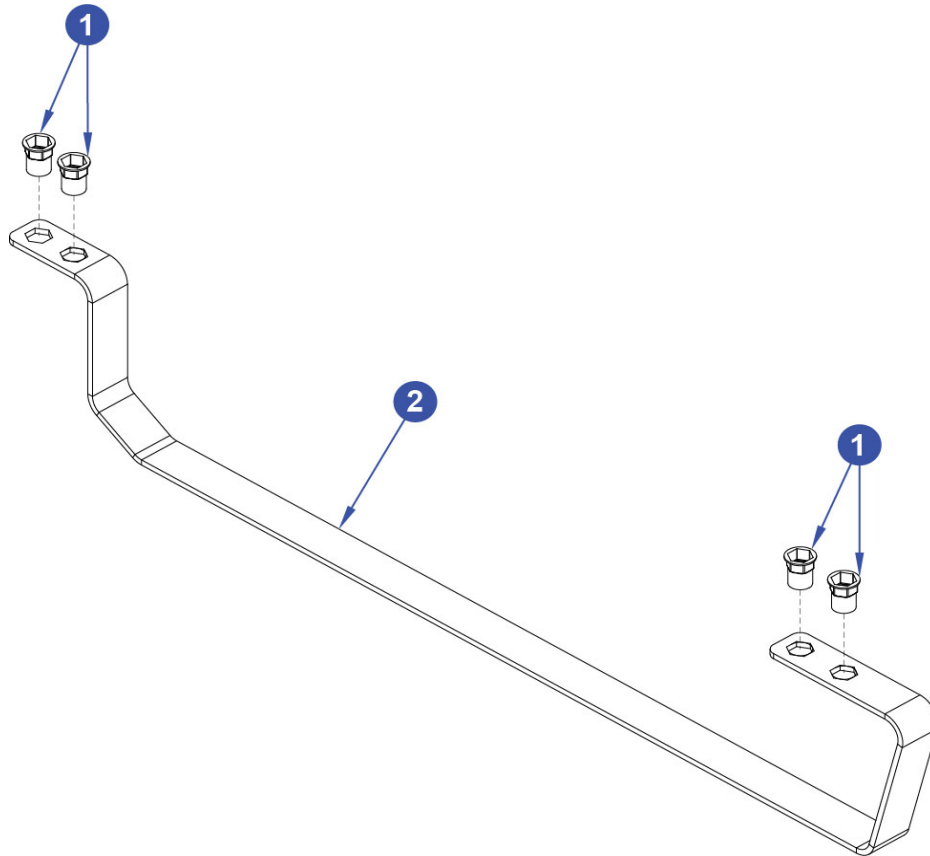
Multi Adjustable Bench Assembly



Ref #	Part Number	Qty	Description
1	0K59-01164-0000	2	Wheel: 3.0 OD X .50 ID Overmold
2	1003161-0000	1	ASSY, AT-MAB, SUPPORT
3	1003162-0000	1	ASSY, BRKT, SEAT MOUNT
4	1004373-0000	1	ASSY, ST-MAB, MAIN FRAME
5	1003217-0000	1	ASSY, AT-MAB, GUARD
6	NUT.375LOCK	2	3/8 Thick Lock Nut
7	1002878-0003	6	BRNG, FLANGE 1.00 ID X 1.25 OD
8	HHB.375X2.5	2	Hardware: 3/8 X 2-1/2 Bolt
9	3236202	10	Hardware: Screw 25MM
10	3236204	8	Hardware: Screw 35MM
11	WASH.375SAE	18	Hardware: 3/8 SAE Flat Washer
12	3236801	2	Hardware: Nut 10 MM ID
13	WASH.5SAE	2	Hardware: 1/2 SAE Flat Washer
14	7322301	4	Plate 1.97 OD X .447 ID 10 GA
15	7324904	1	Shaft Tapped 1" D 3.58"
16	1002877-0001	1	PIN, PULL X 4.375
17	11040-440	1	KNOB
18	7351501	1	Pull Pin Spring
19	MM-9	3	Cushion: 3 X 6 Flange Rubber Slipper
20	RC1530-1Q1	2	Cap: 1-1/2 X 3 Rectangle Plug
21	7571301	1	Label Serial Number
22	7961401	2	Axle, FW, Wheel

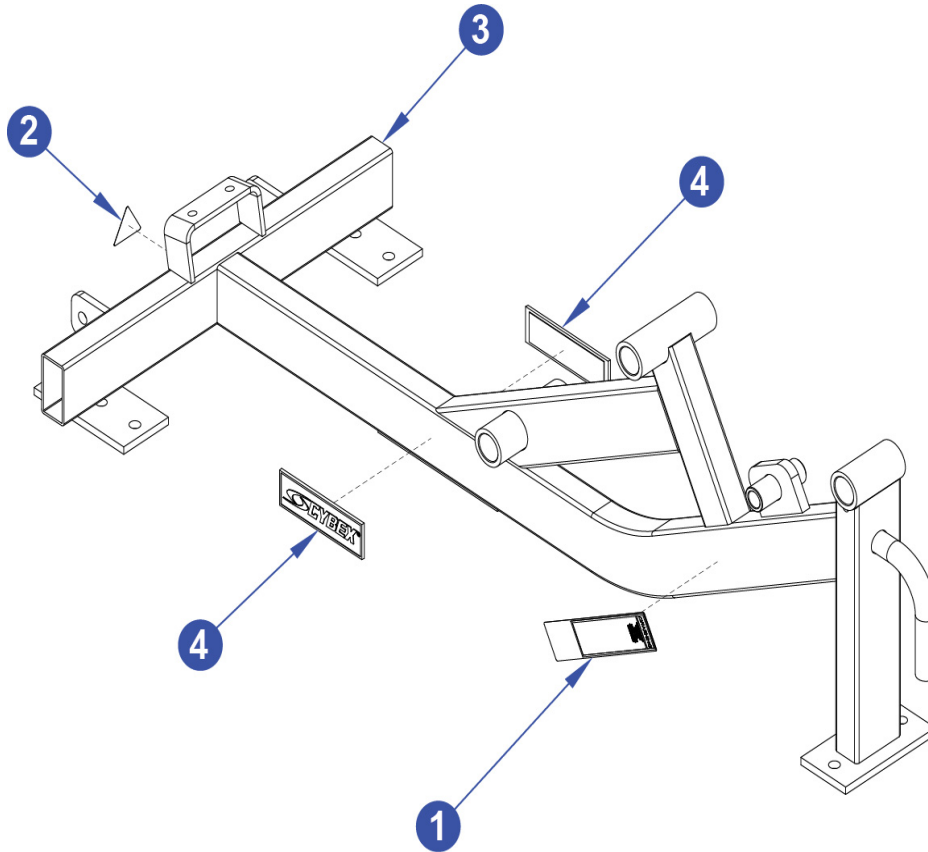
Ref #	Part Number	Qty	Description
23	8832301	1	Small Bumper
24	1003425-0000	1	WLDMT, AT-MAB, BACK PAD SUPPORT
25	8972001	1	SPRING, ASMAB, BACK PAD SUPPORT
26	8975301	2	SHAFT, ASMAB, TAPPED 1 IN DIA
27	7351999	1	PAD, SADDLE Custom
28	7354099	1	PAD, BACK 32-1/2 X 11-1/4 Custom

Multi Adjustable Bench Guard Assembly



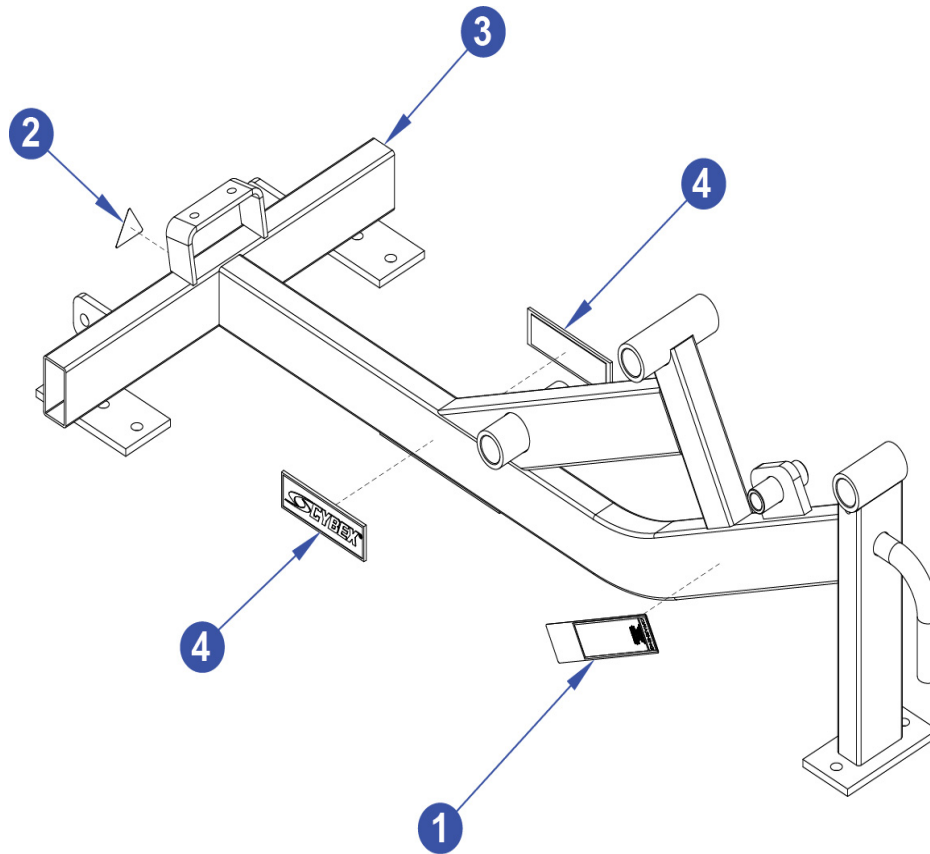
Ref #	Part Number	Qty	Description
1	3238601	4	Blind Thread Insert - 1.5"
2	8963201	1	BRKT, ASMAB ADJUSTMENT GUARD

Multi Adjustable Bench Main Frame Assembly



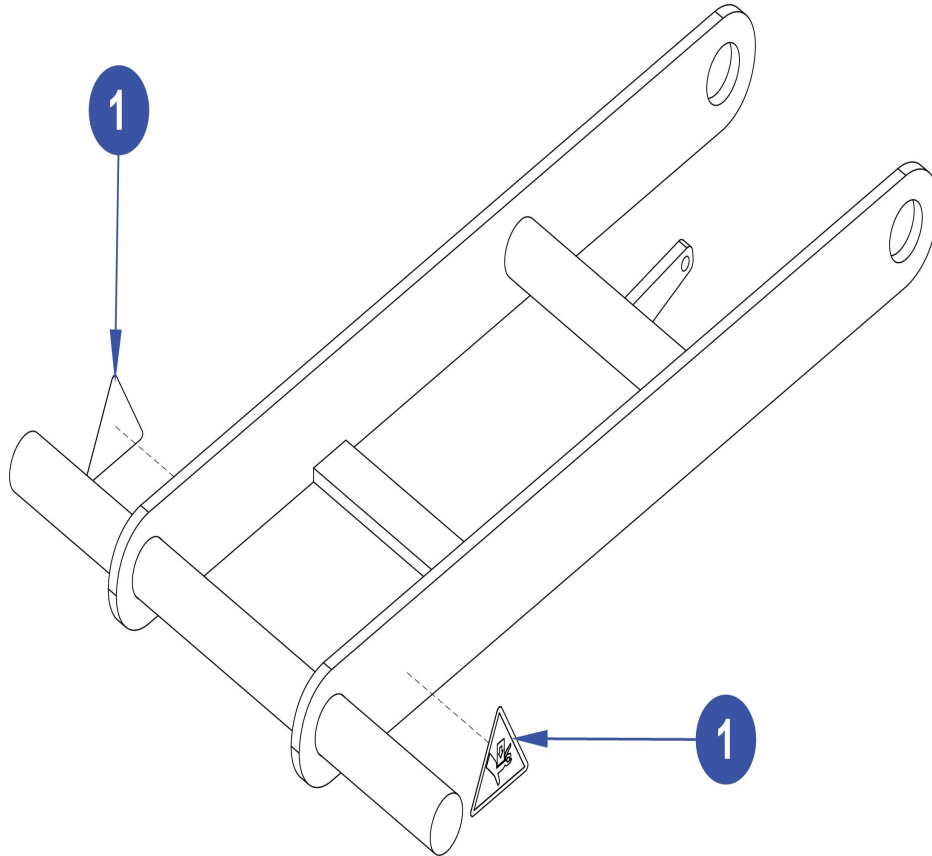
Ref #	Part Number	Qty	Description
1	1002324-0001	1	LABEL, WARN, VERT, MULTI-LANG SHEET
2	8039501	1	Label Warning Triangle 10-0099-067 BNR
3	1003424-0000	1	WLDMT, AT-MAB, MAIN FRAME
4	1003435-0001	2	BADGE, CYBEX, 1-3/4 X 5-1/2

Multi Adjustable Bench Seat Mount Assembly



Ref #	Part Number	Qty	Description
1	8039501	1	Label Warning Triangle 10-0099-067 BNR
2	7570801	1	Guard Paint 1.25 X .75 X .25

Multi Adjustable Bench Support Assembly



Ref #	Part Number	Qty	Description
1	8039501	2	Label Warning Triangle 10-0099-067 BNR

