

STRUCTURE POWER RACK

ST-PR

Parts Manual

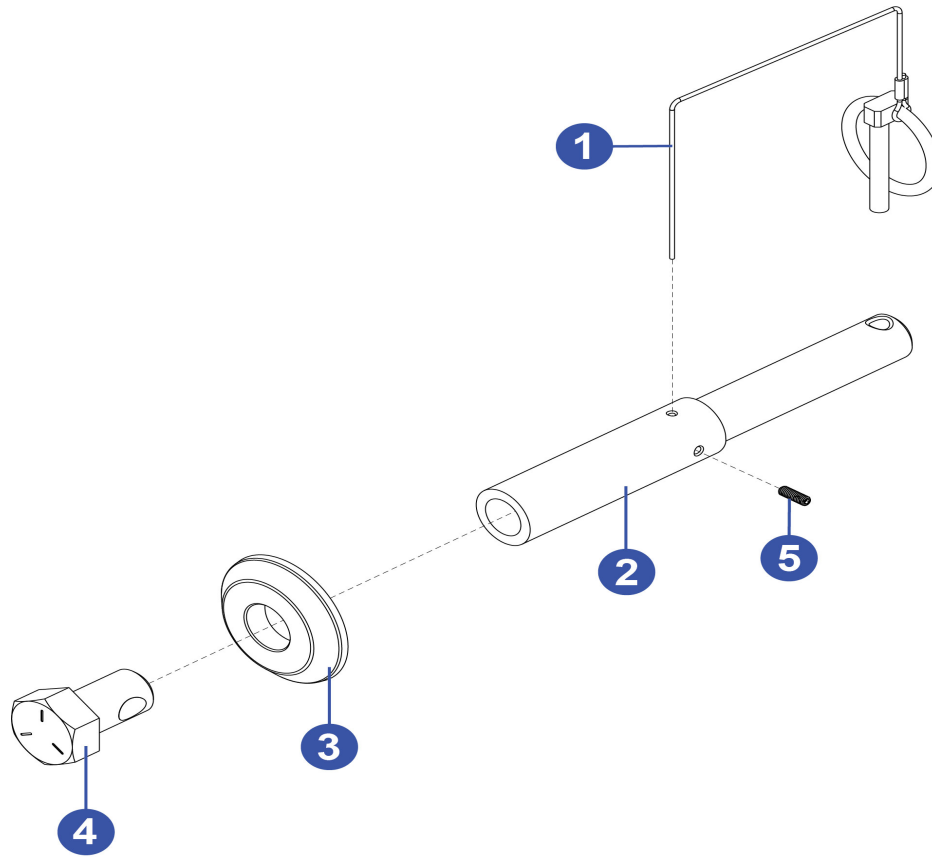
1/5/2019 16:57:24 PM



Table of Contents

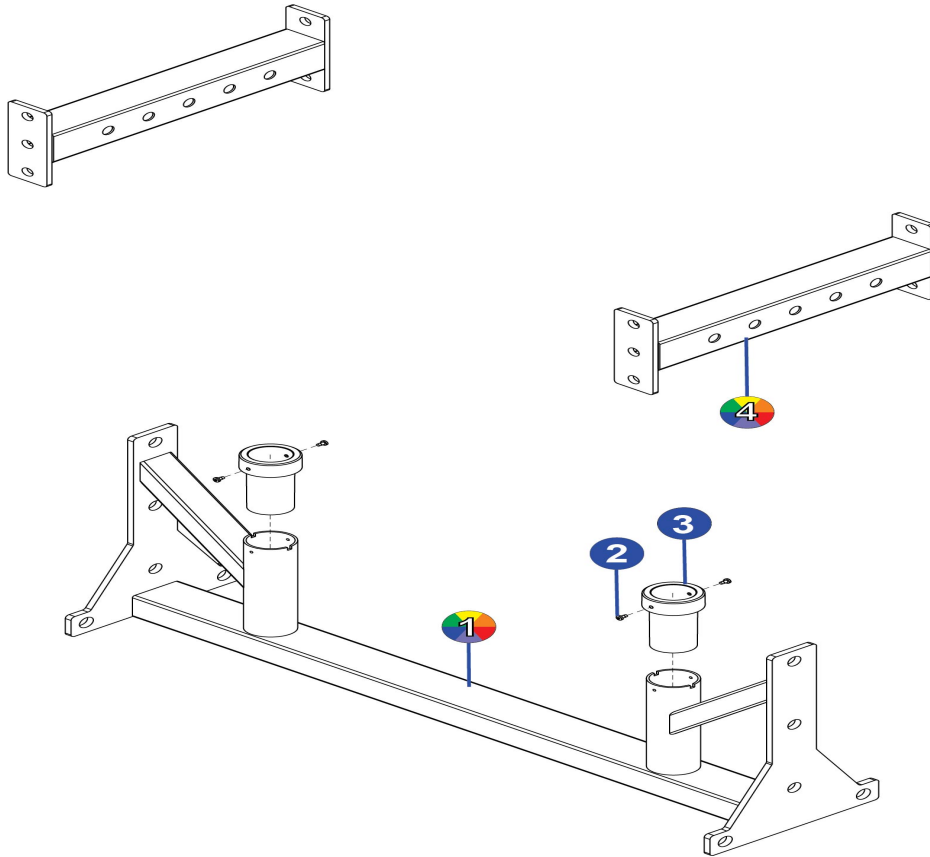
Band Pegs	3
Crossmembers	4
Dip	5
Hardware Blister Pack	6
Hardware Hammer Lock Blister Pack	7
Left Bar Support	8
Optional Arc Pull Up	9
Optional Ball Grip Pull Up	10
Optional Bolted Neutral Pull Up	11
Power Pivot Assembly	12
Power Pivot Mount	13
Power Pivot Work Arm	14
Power Rack Crossover	15
Power Rack Flexible Bar Catches	16
Power Rack Left Bar Catch	17
Power Rack Left Hand Base	18
Power Rack Right Bar Catch	19
Power Rack Right Hand Base	20
Power Rack Sub Base	21
Power Rack Upright	22
Power Rack Upright Set	23
Pull Up Bars	24
Rear Bumper Plate Storage	25
Right Bar Support	26
Storage Uprights	27
Storage Upright Label	28
Weight Horn Assembly	29
Wing	30
72" Pull Up Rack Connectors	31

Band Pegs



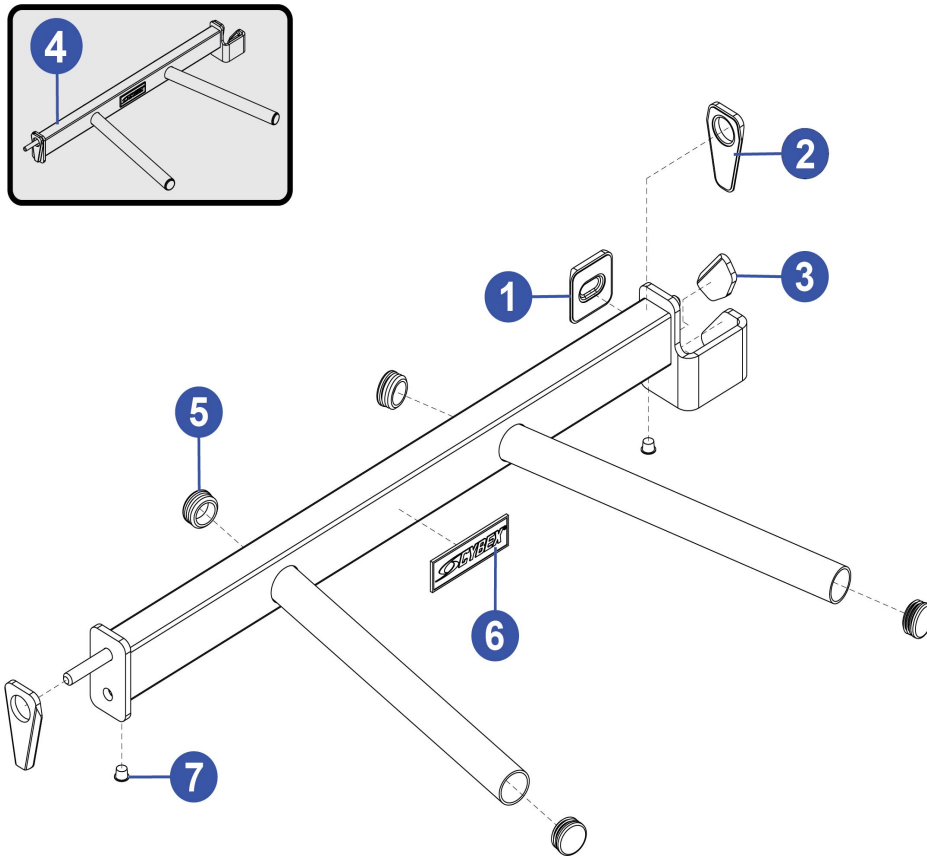
Ref #	Part Number	Qty	Description
1	1000860-0001	1	ASSY, LINCH PIN, 1/4
2	1000862-0001	1	SHAFT, BAND PEG, SRT
3	1001341-0001	1	SPACER, 2.25 OD X 3/8
4	1001765-0003	1	SCREW, 3/4-10 X 1-1/4, GRADE 5, HHCS ZN
5	1001957-0001	1	M4-0.7 X 12 HXS NO FPS ST BO

Crossmembers



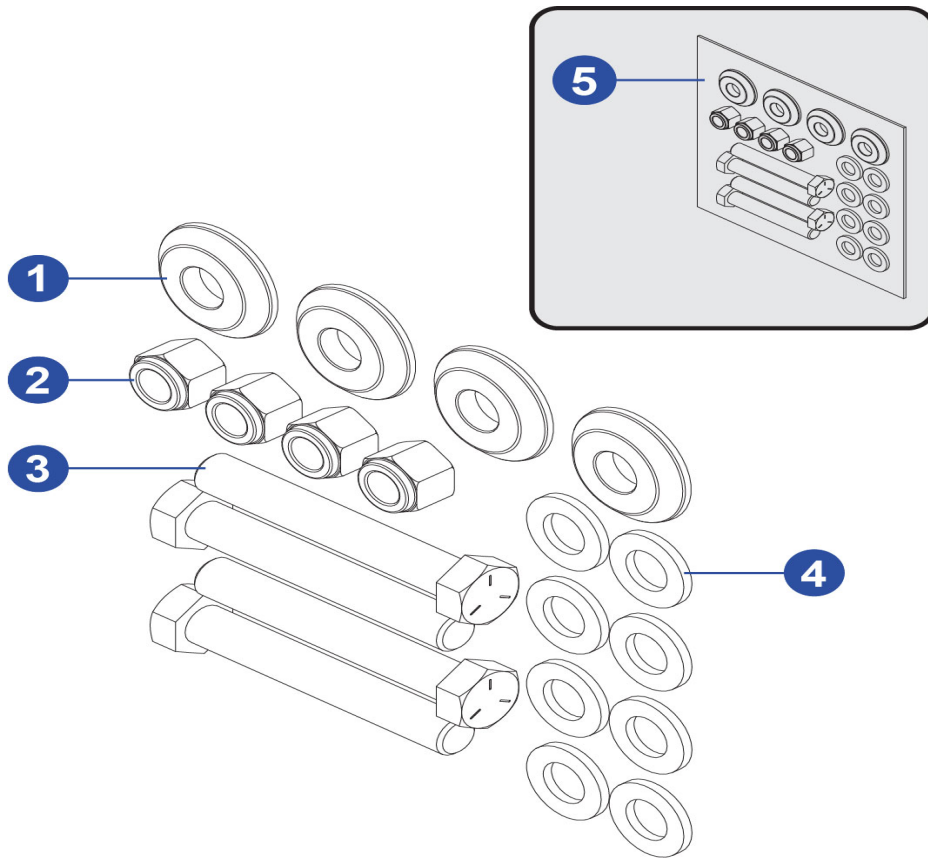
Ref #	Part Number	Qty	Description
1	1000527-0000	1	WLDMT, AT, BASE, CTR
2	3270601	4	Hardware: Screw 3/8"
3	9045101	2	CAP, HDE, LANDMINE, WORK ARM
4	1000531-0000	2	WLDMT, AT, STORAGE

Dip



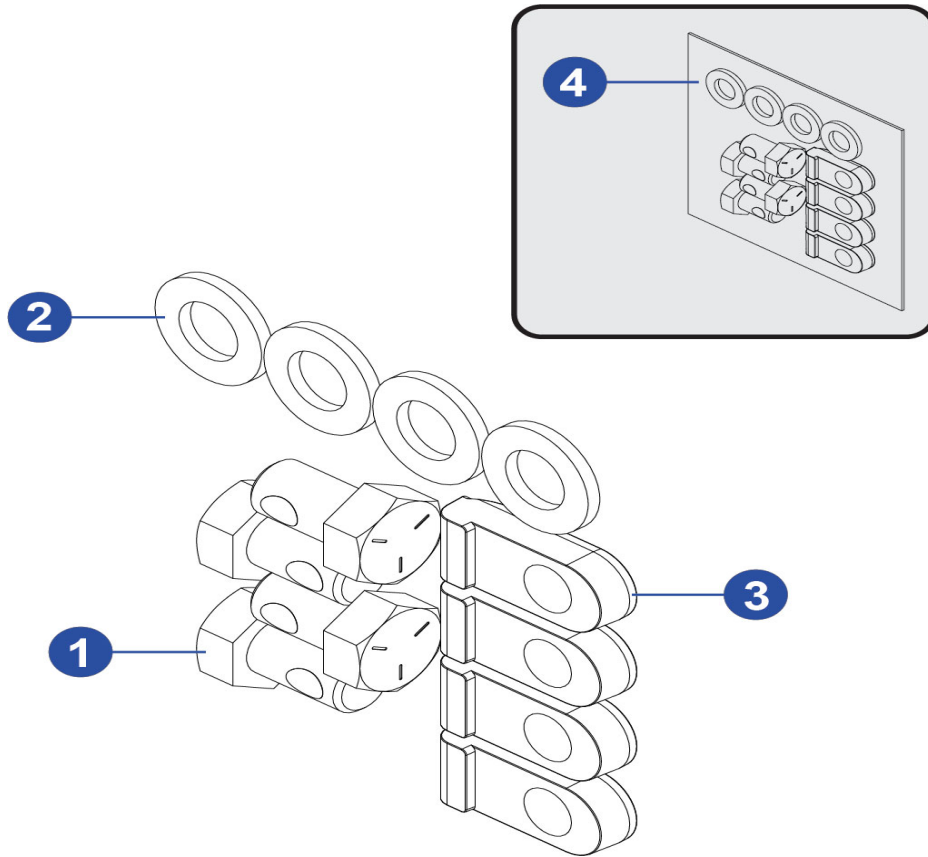
Ref #	Part Number	Qty	Description
1	1000968-0001	1	GUARD, PAINT, 3-1/4X2-7/8
2	1000969-0001	2	GUARD, PAINT, PIN SIDE
3	1000971-0001	1	GUARD, PAINT, 75 DEG TAB
4	1004377-0000	1	ASSY, ST-DIP, COMPONENTS
5	3119302	4	Cap, End 1-3/4 RD 14-20 GA
6	1003435-0001	1	BADGE, CYBEX, 1-3/4 X 5-1/2
7	H-HPLUG(REG)	2	Stop: 9/16 IN Hole Plug

Hardware Blister Pack



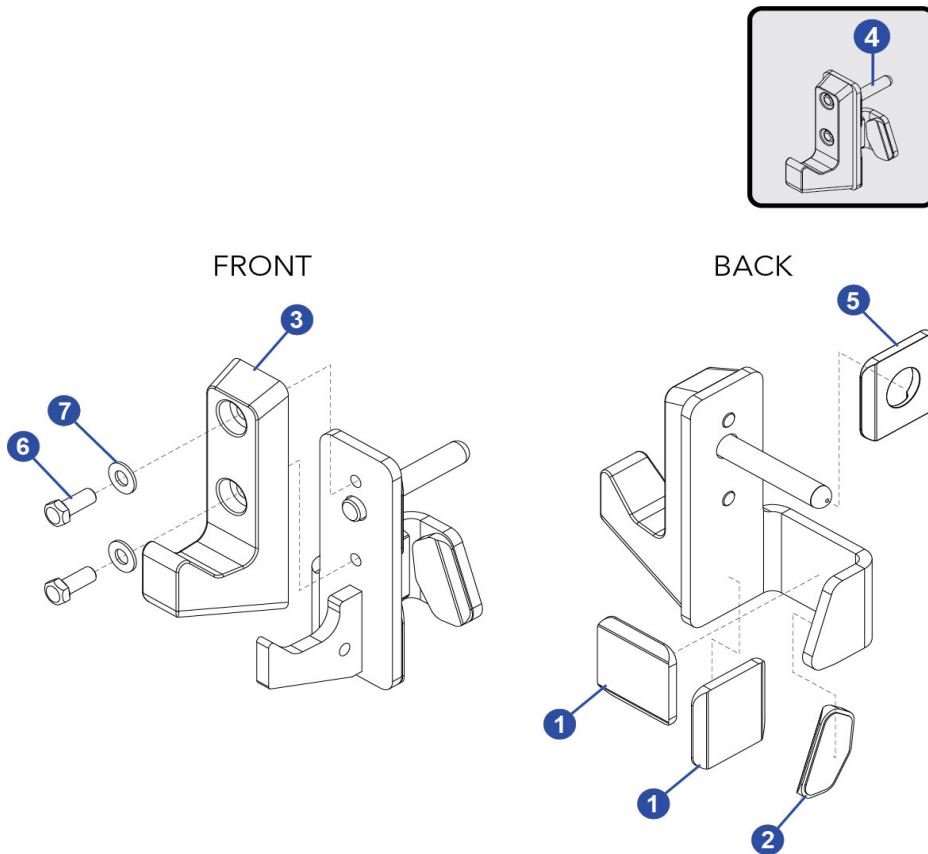
Ref #	Part Number	Qty	Description
1	1001341-0001	4	SPACER, 2.25 OD X 3/8
2	3102808	4	
3	1000598-0018	4	SCREW, 3/4-10 X 5, GRADE 5, HHCS ZN
4	1000599-0001	8	WASHER, 3/4 IN SAE, ZN
5	1001506-0001	1	ASSY, AT, BLISTER PACK 1

Hardware Hammer Lock Blister Pack



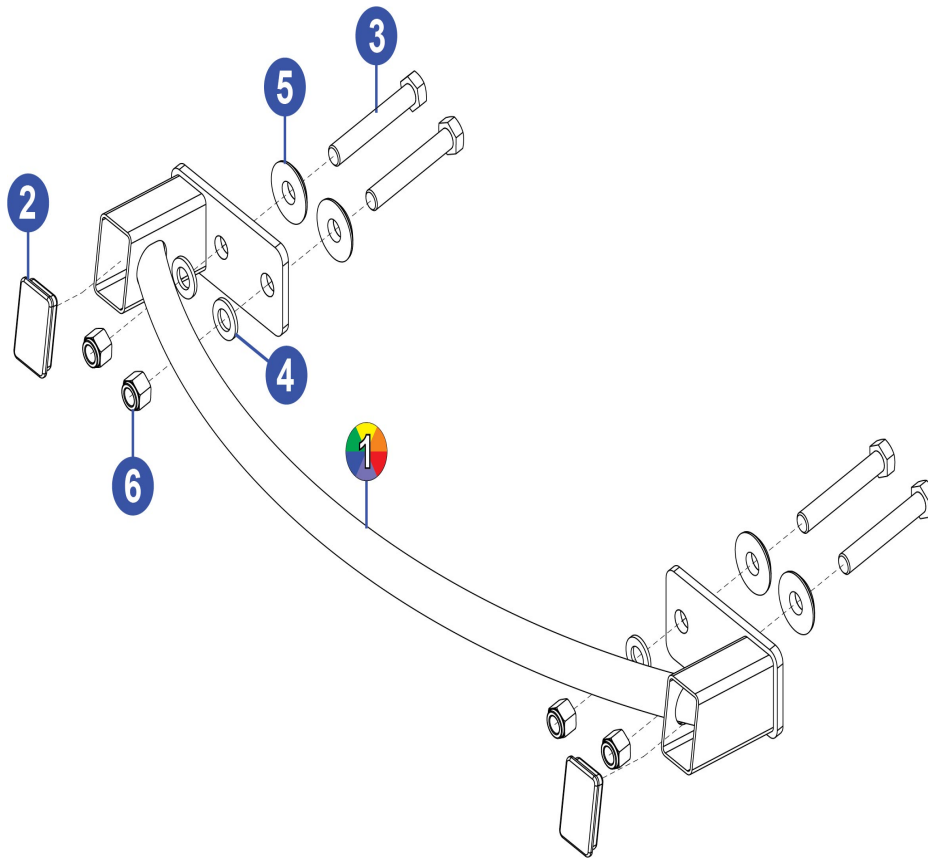
Ref #	Part Number	Qty	Description
1	1001765-0003	4	SCREW, 3/4-10 X 1-1/4, GRADE 5, HHCS ZN
2	1000599-0001	4	WASHER, 3/4 IN SAE, ZN
3	1000542-0001	4	NUT, RECT TUBING, 11GA, 3 IN, 3/4-10 UNC
4	1001840-0001	1	ASSY, AT, BLISTER PACK, HAMMER LOCK

Left Bar Support



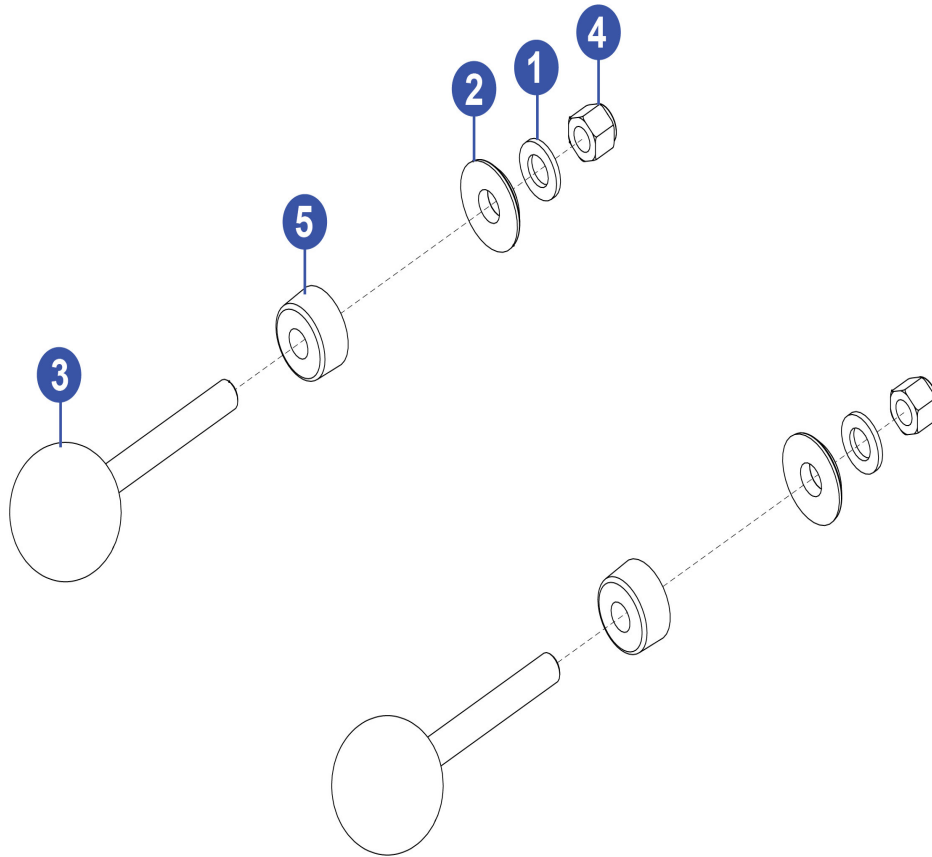
Ref #	Part Number	Qty	Description
1	1000968-0001	2	GUARD, PAINT, 3-1/4X2-7/8
2	1000971-0001	1	GUARD, PAINT, 75 DEG TAB
3	1000973-0001	1	GUARD, AT, BS
4	1001194-0000	1	ASSY, AT-PR, BS, LT
5	1001964-0001	1	GUARD, PAINT, 3X3
6	3272805	2	1/2 IN - 13X 1.25 IN UNC HHCS G5 ZN
7	WASH.5SAE	2	Hardware: 1/2 SAE Flat Washer

Optional Arc Pull Up



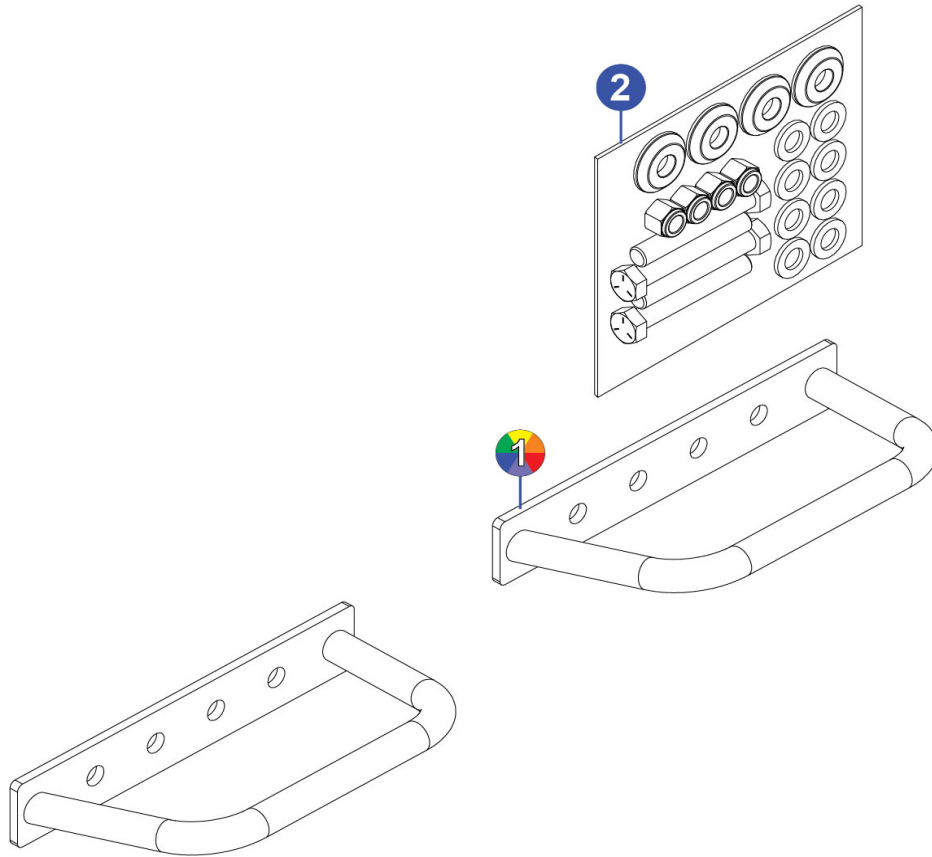
Ref #	Part Number	Qty	Description
1	1003556-0000	1	WLDMT, BOLTED ARC PULL UP
2	7352301	2	End Cap
3	1000598-0018	4	SCREW, 3/4-10 X 5, GRADE 5, HHCS ZN
4	1000599-0001	4	WASHER, 3/4 IN SAE, ZN
5	1001341-0001	4	SPACER, 2.25 OD X 3/8
6	3102808	4	

Optional Ball Grip Pull Up



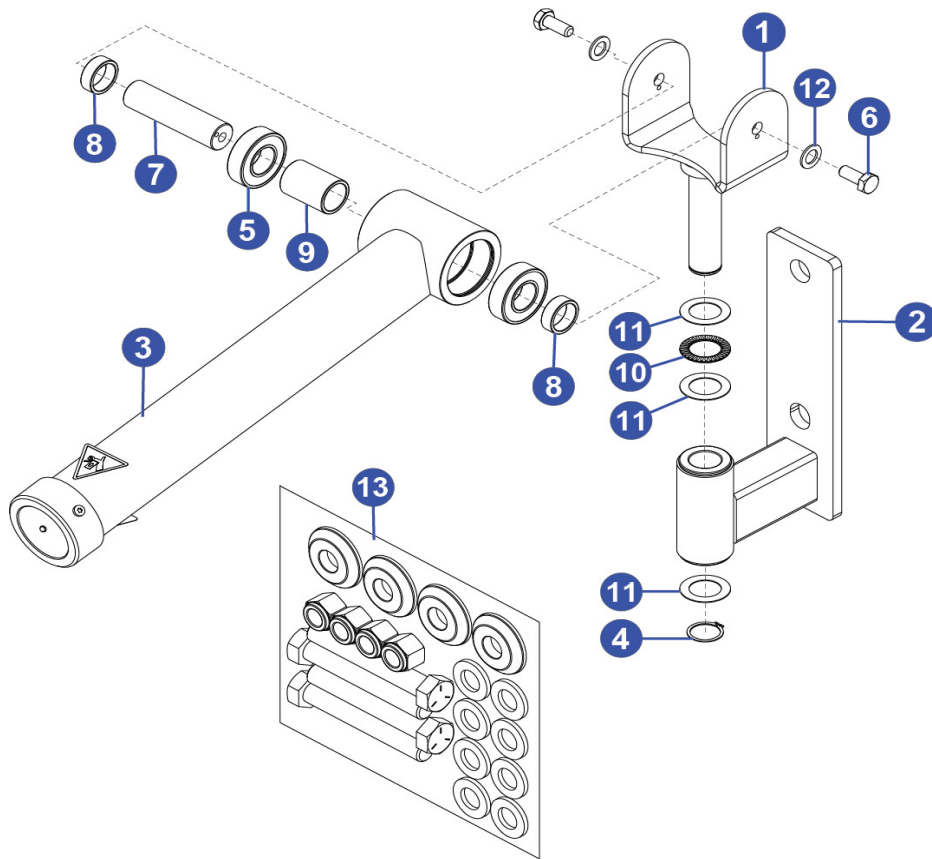
Ref #	Part Number	Qty	Description
1	1000599-0001	2	WASHER, 3/4 IN SAE, ZN
2	1001341-0001	2	SPACER, 2.25 OD X 3/8
3	1002943-0001	2	GRIP, BG3
4	3102808	2	
5	7352101	2	Cushion Weight Stack

Optional Bolted Neutral Pull Up



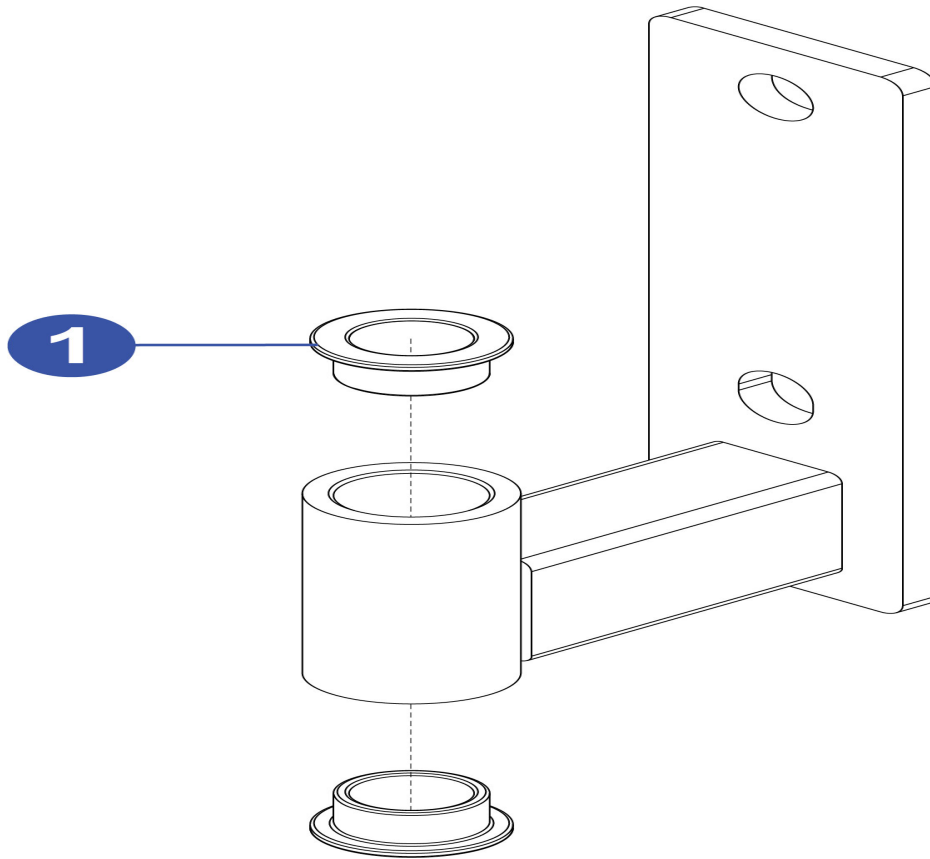
Ref #	Part Number	Qty	Description
1	1003271-0000	2	WLDMT, BOLTED NEUTRAL PULL UP
2	1001506-0001	1	ASSY, AT, BLISTER PACK 1

Power Pivot Assembly



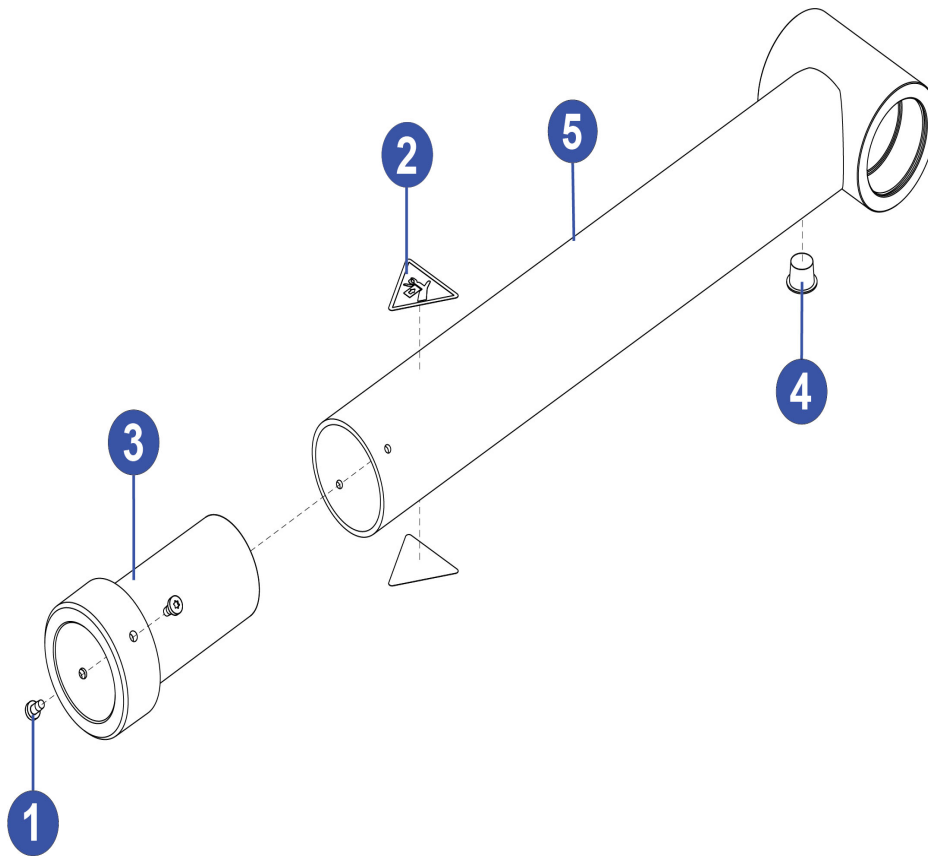
Ref #	Part Number	Qty	Description
1	1002654-0000	1	WLDMT, AT-PP, PIVOT
2	1002671-0000	1	ASSY, AT-PP, MNT
3	1002672-0000	1	ASSY, AT-PP, WORK ARM
4	3232421	1	Retaining Ring 0.940" D
5	3235601	2	Ball Bearing
6	3251202	2	Hardware: Screw 25MM
7	7316501	1	SHAFT, 25MM X 3.750
8	7330011	2	Spacer, Internal X .425
9	7330006	1	Spacer Internal X 1.765
10	9117301	1	BEARING, THRUST NEEDLE-ROLLER, 1 IN. ID
11	9117401	3	WASHER, THRUST NEEDLE-ROLLER BEARING, 1 IN. ID
12	WASH.5STAR	2	Hardware: 1/2 Internal Lock Washer
13	1001506-0001	1	ASSY, AT, BLISTER PACK 1

Power Pivot Mount



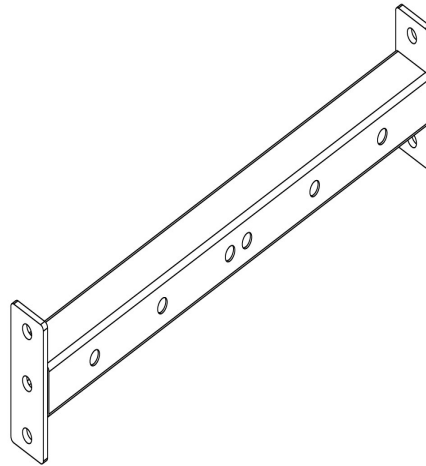
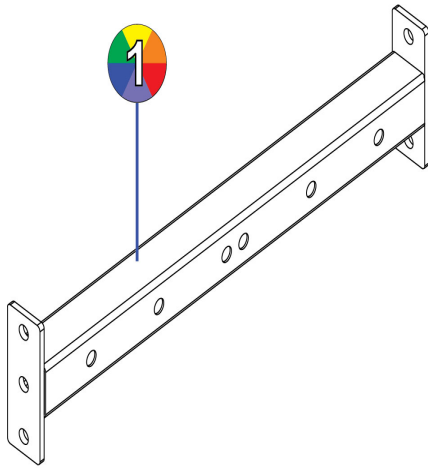
Ref #	Part Number	Qty	Description
1	1002878-0003	2	BRNG, FLANGE 1.00 ID X 1.25 OD

Power Pivot Work Arm



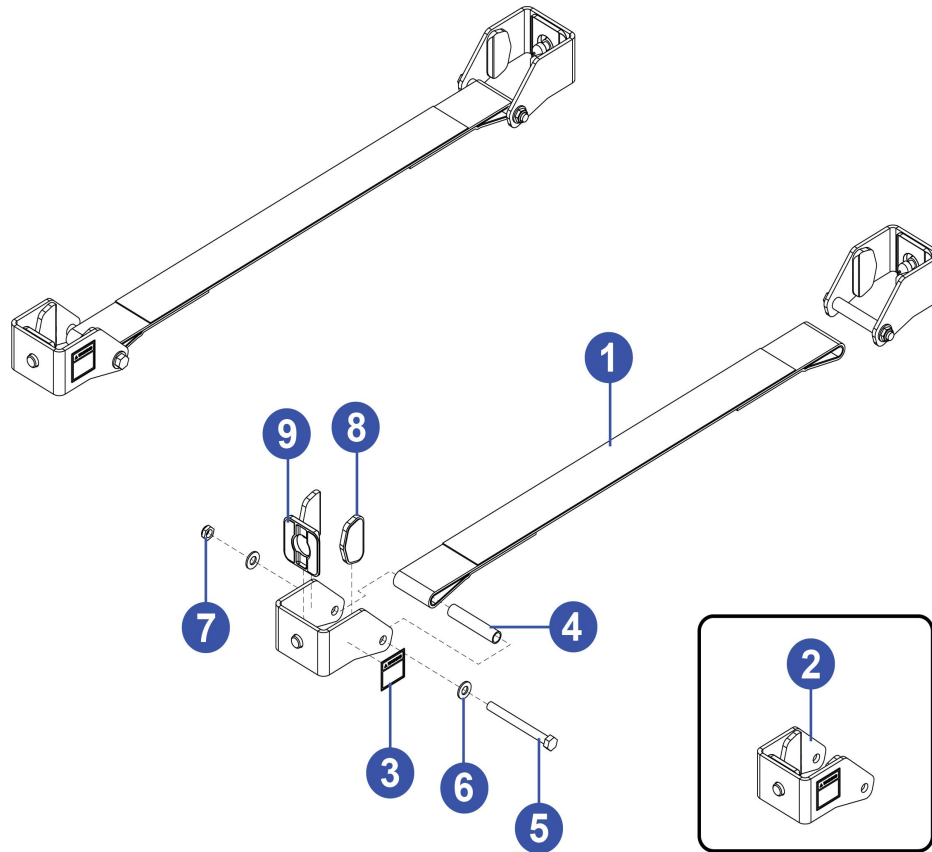
Ref #	Part Number	Qty	Description
1	3270601	2	Hardware: Screw 3/8"
2	8039501	2	Label Warning Triangle 10-0099-067 BNR
3	9045101	1	CAP, HDE, LANDMINE, WORK ARM
4	H-HPLUG(REG)	1	Stop: 9/16 IN Hole Plug
5	1002653-0000	1	WLDMT, AT-PP, WORK ARM

Power Rack Crossover



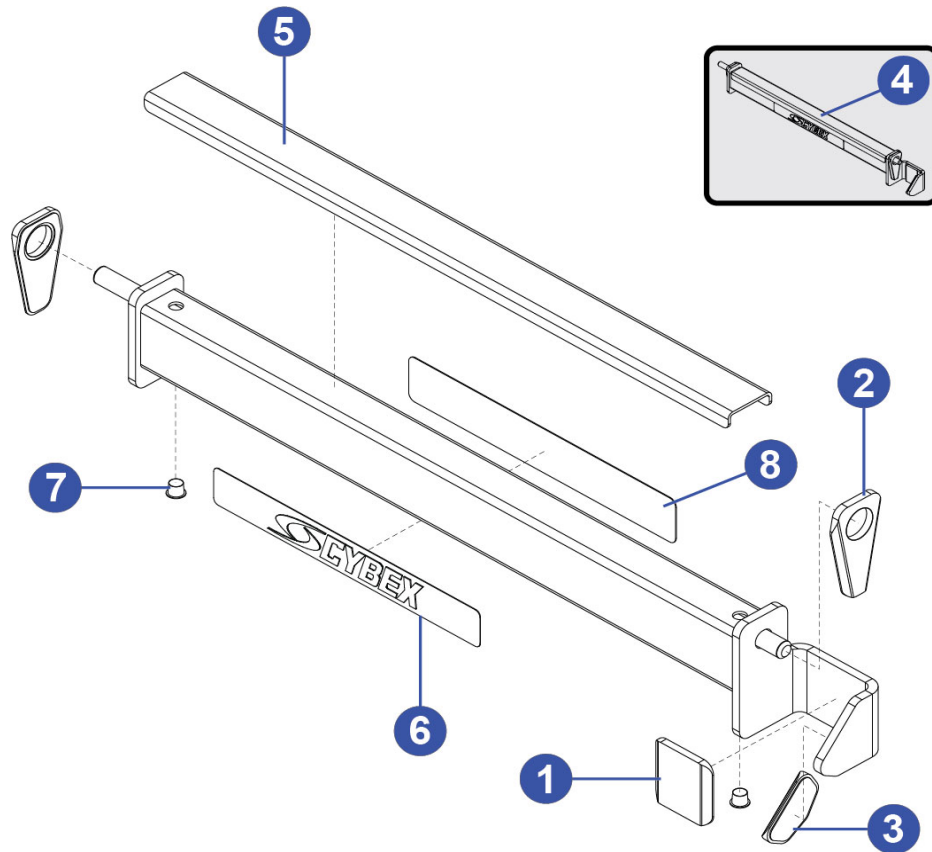
Ref #	Part Number	Qty	Description
1	1000548-0000	2	WLDMT, AT, SQU, 34-1/2

Power Rack Flexible Bar Catches



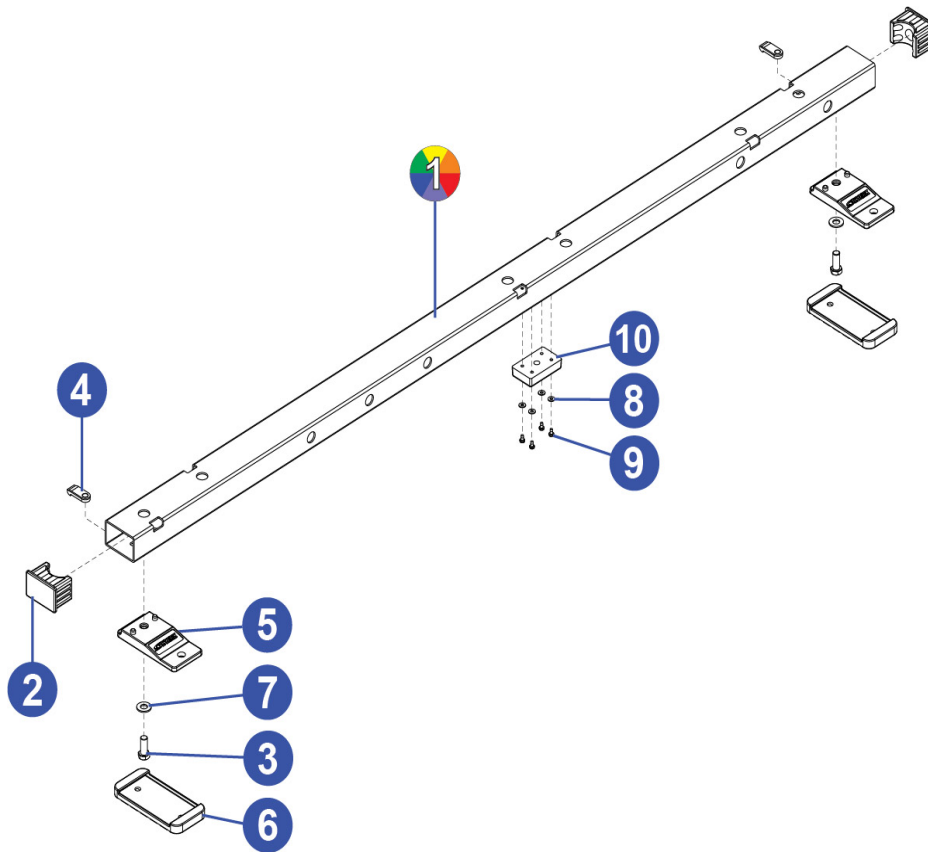
Ref #	Part Number	Qty	Description
1	1001145-0001	2	STRAP, AT, FBC
2	1003015-0000	4	ASSY, AT-PR, FBC, SUB
3	1002951-0001	4	LABEL, FBC OFFSET, MULTI-LANG SHEET
4	1001972-0001	4	SPACER, 3/4 OD
5	HHB.5X5	4	Hardware: 1/2 X 5 Bolt
6	NUT.5JAMLOCK	4	Hardware: 1/2 Thin Lock Nut
7	WASH.5SAE	8	Hardware: 1/2 SAE Flat Washer
8	1000971-0001	8	GUARD, PAINT, 75 DEG TAB
9	1001964-0001	4	GUARD, PAINT, 3X3

Power Rack Left Bar Catch



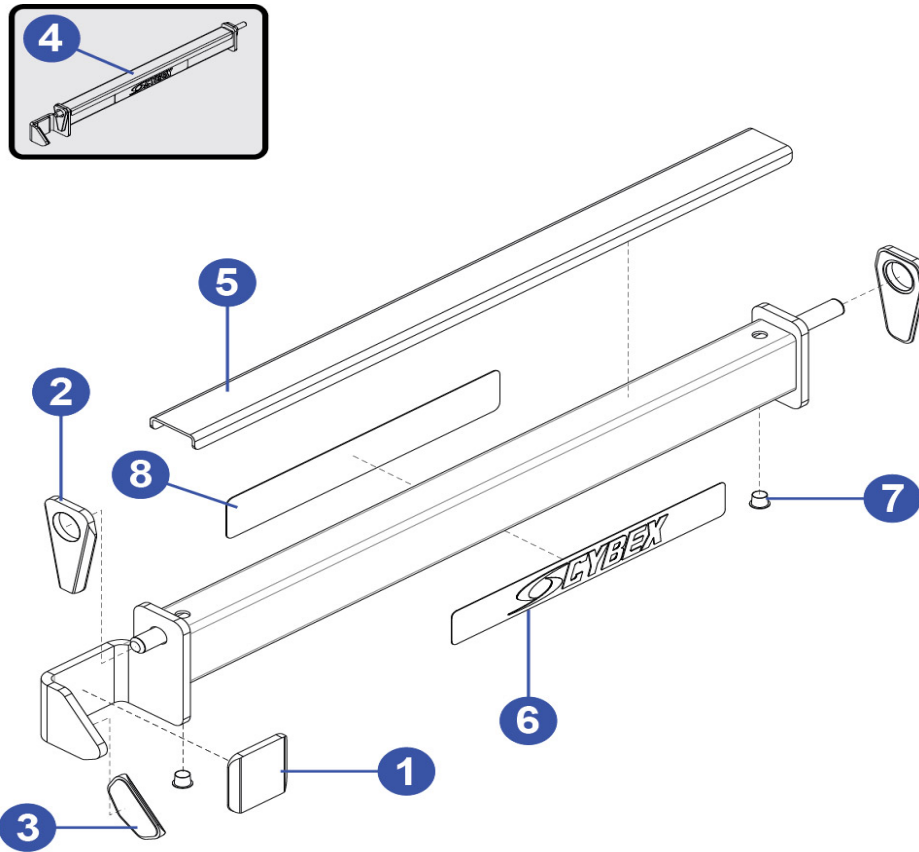
Ref #	Part Number	Qty	Description
1	1000968-0001	1	GUARD, PAINT, 3-1/4X2-7/8
2	1000969-0001	2	GUARD, PAINT, PIN SIDE
3	1000971-0001	1	GUARD, PAINT, 75 DEG TAB
4	1004188-0000	1	ASSY, ST-PR, BC, LT
5	1004865-0003	1	ASSY, PAINT GUARD, 2IN TUBE
6	1004375-0001	1	LABEL, CYBEX, 1-3/4 X 14
7	H-HPLUG(REG)	2	Stop: 9/16 IN Hole Plug
8	1004376-0001	1	LABEL, STRUCTURE, 1-3/4 X 14

Power Rack Left Hand Base



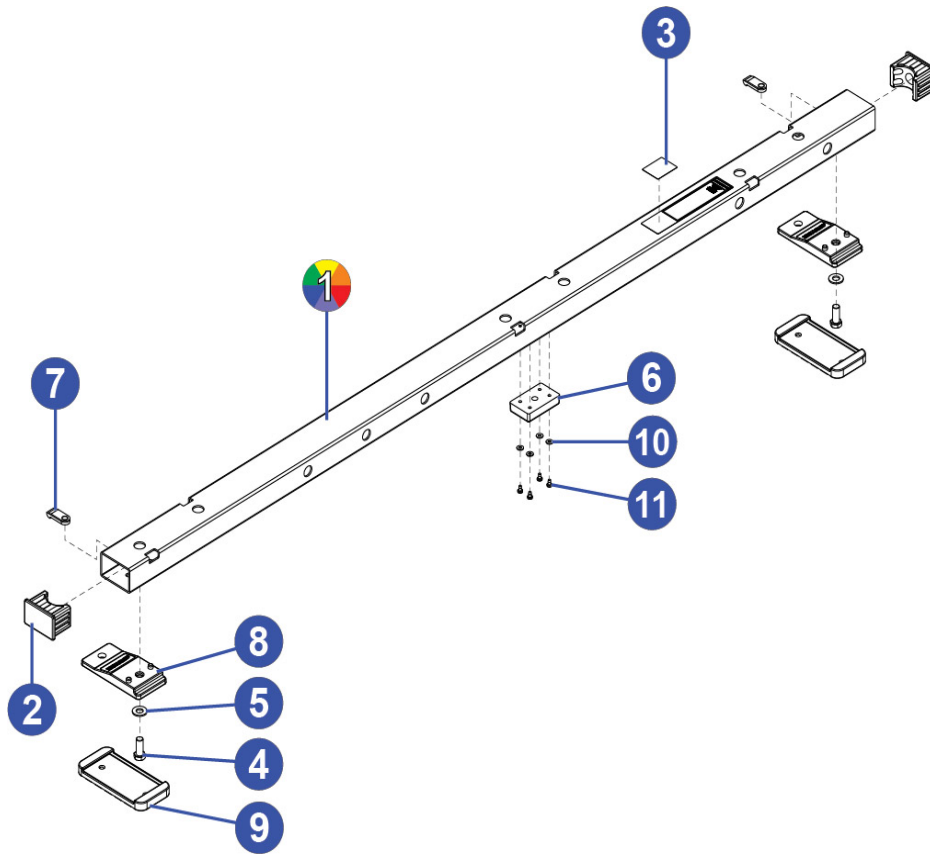
Ref #	Part Number	Qty	Description
1	1002046-0000	1	TUBE, 2X3 11GA
2	1000589-0001	2	CAP, 2X3 11GA, END
3	3272805	2	1/2 IN - 13X 1.25 IN UNC HHCS G5 ZN
4	9311803	2	NUT, RECT TUBING, 11GA, 3"
5	1003426-0037	2	FOOT, BOLT ON, CYBEX -HWC
6	MM-9	2	Cushion: 3 X 6 Flange Rubber Slipper
7	WASH.5SAE	2	Hardware: 1/2 SAE Flat Washer
8	3114407	4	Hardware: Flat Washer
9	3270601	4	Harware: Screw 3/8"
10	8708901	1	Rubber Foot Pad

Power Rack Right Bar Catch



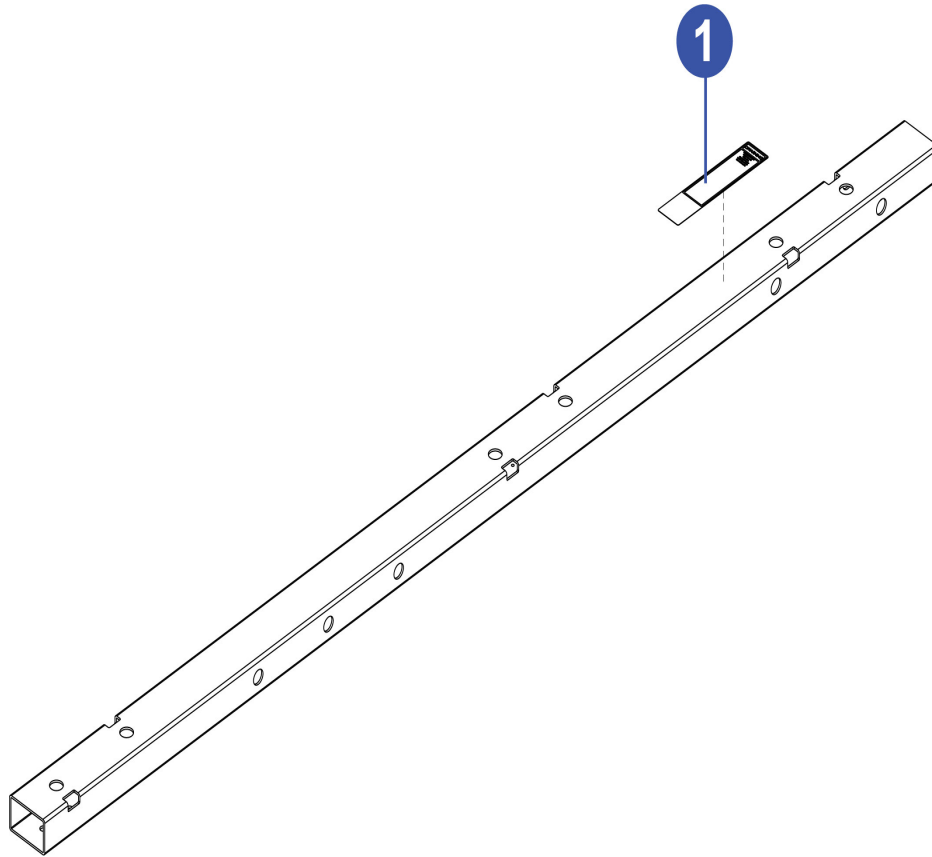
Ref #	Part Number	Qty	Description
1	1000968-0001	1	GUARD, PAINT, 3-1/4X2-7/8
2	1000969-0001	2	GUARD, PAINT, PIN SIDE
3	1000971-0001	1	GUARD, PAINT, 75 DEG TAB
4	1004187-0000	1	ASSY, ST-PR, BC, RT
5	1004865-0003	1	ASSY, PAINT GUARD, 2IN TUBE
6	1004375-0001	1	LABEL, CYBEX, 1-3/4 X 14
7	H-HPLUG(REG)	2	Stop: 9/16 IN Hole Plug
8	1004376-0001	1	LABEL, STRUCTURE, 1-3/4 X 14

Power Rack Right Hand Base



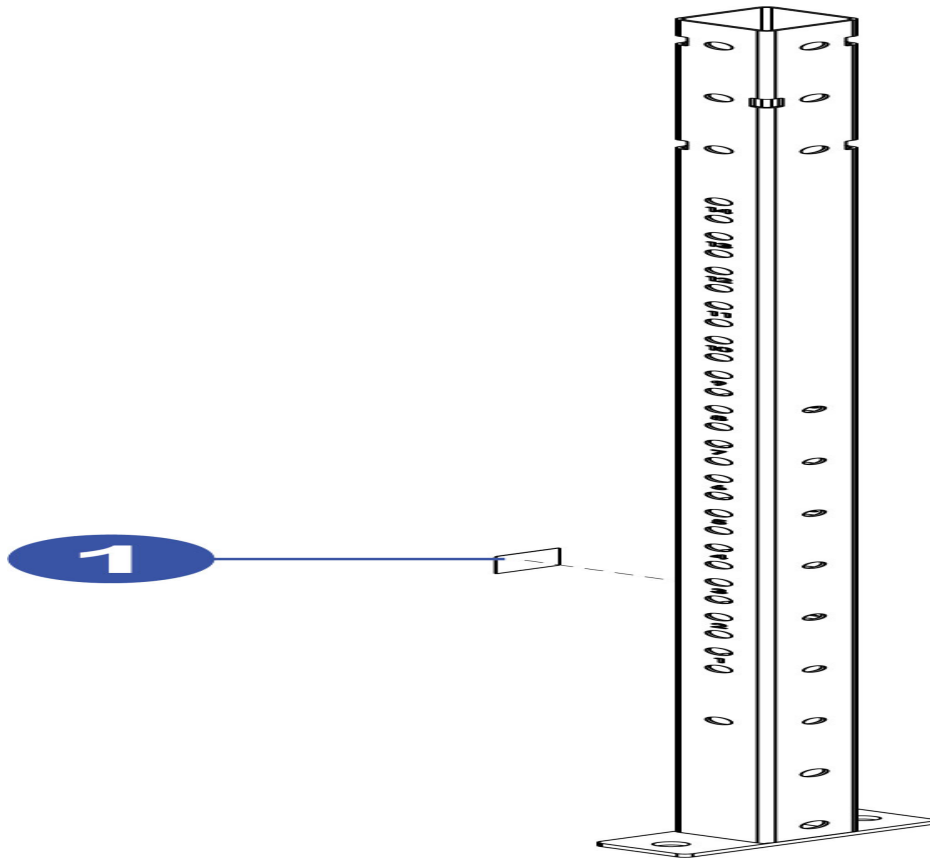
Ref #	Part Number	Qty	Description
1	1002955-0000	1	ASSY, AT-PR, BASE, RT
2	1000589-0001	2	CAP, 2X3 11GA, END
3	CM000202	1	
4	3272805	2	1/2 IN - 13X 1.25 IN UNC HHCS G5 ZN
5	WASH.5SAE	2	Hardware: 1/2 SAE Flat Washer
6	8708901	1	Rubber Foot Pad
7	9311803	2	NUT, RECT TUBING, 11GA, 3"
8	1003426-0037	2	FOOT, BOLT ON, CYBEX -HWC
9	MM-9	2	Cushion: 3 X 6 Flange Rubber Slipper
10	3114407	4	Hardware: Flat Washer
11	3270601	4	Harware: Screw 3/8"

Power Rack Sub Base



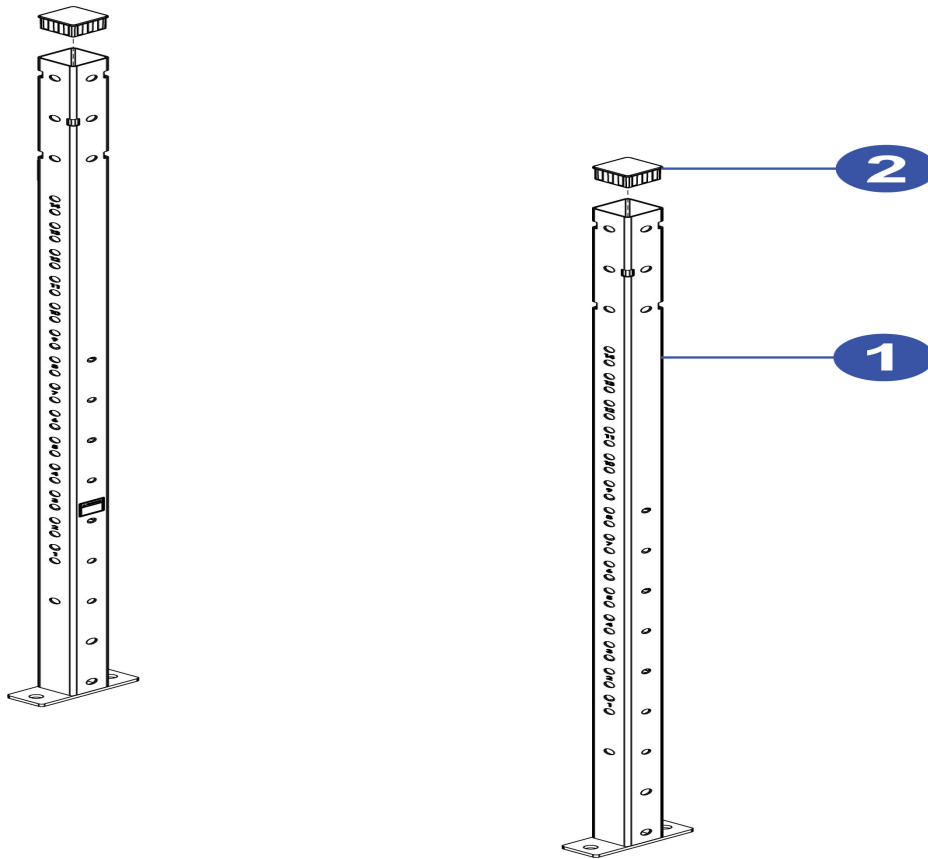
Ref #	Part Number	Qty	Description
1	1002324-0001	1	LABEL, WARN, VERT, MULTI-LANG SHEET

Power Rack Upright



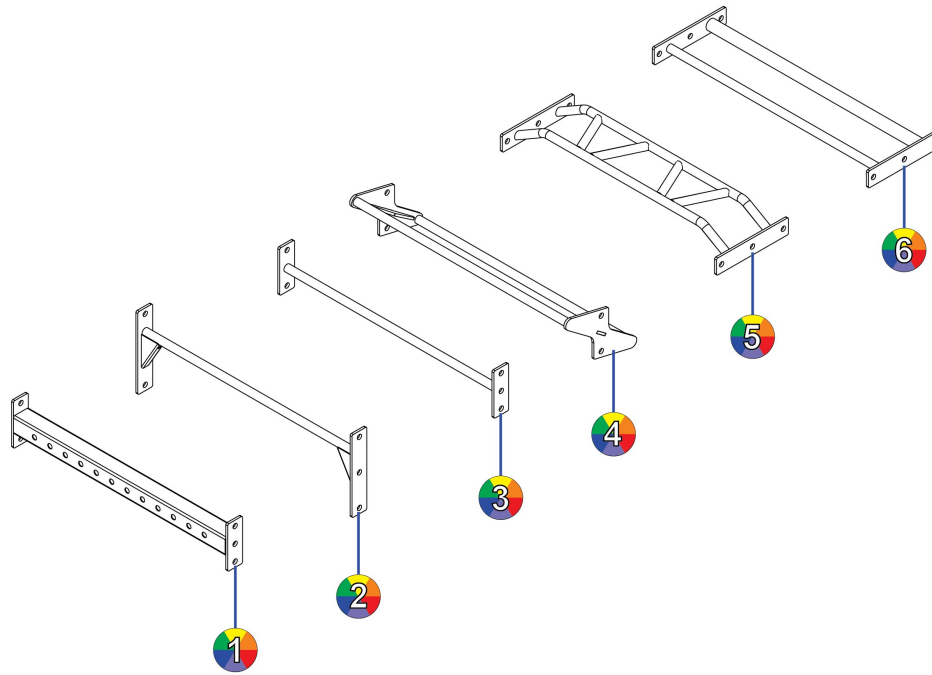
Ref #	Part Number	Qty	Description
1	1001811-0001	1	LABEL, SQUAT, SHEET

Power Rack Upright Set



Ref #	Part Number	Qty	Description
1	1004185-0000	2	ASSY, ST-PR, UPRIGHT
2	1000557-0001	2	CAP, 3X3 11GA, END

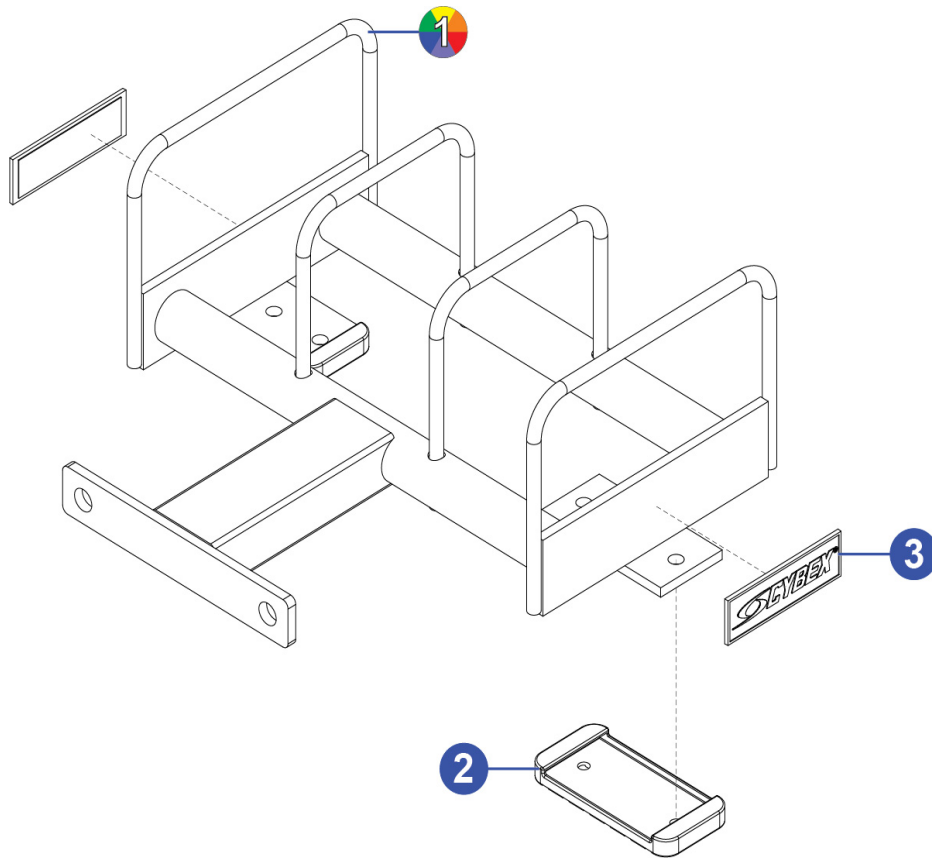
Pull Up Bars



1-4 POWER RACK ONLY

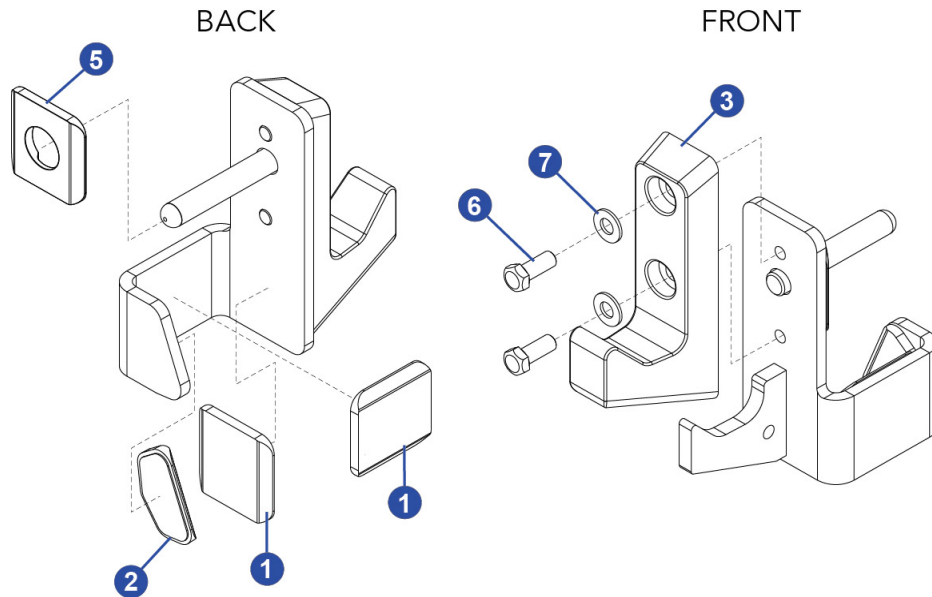
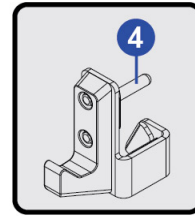
Ref #	Part Number	Qty	Description
1	1000541-0000	1	WLDMT, AT, PU, DBL, 42
2	1000550-0000	1	WLDMT, AT, PU, SQU, 42
3	1000559-0000	1	WLDMT, AT, PU, SB, 42- Custom
4	1000639-0000	1	WLDMT, AT, PU, MB, 42- Custom
5	1000642-0000	1	WLDMT, AT, PU, OB, 42
6	1002069-0000	1	WLDMT, AT, PU, MG, 42

Rear Bumper Plate Storage



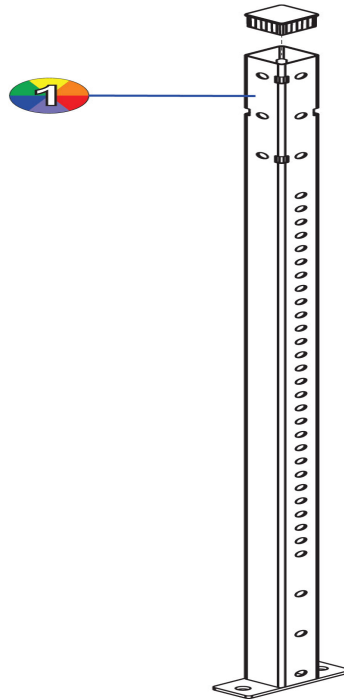
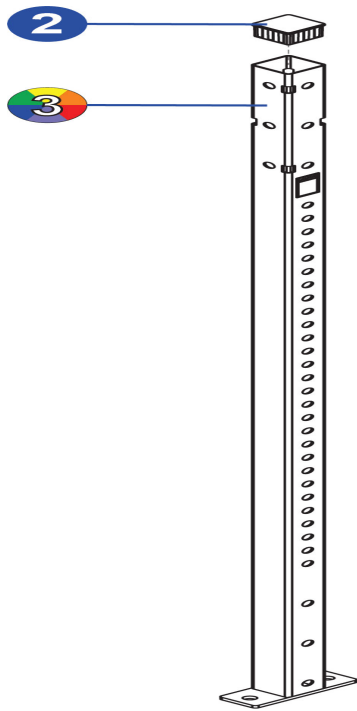
Ref #	Part Number	Qty	Description
1	1004379-0000	1	ASSY, ST, BP STORAGE
2	MM-9	2	Cushion: 3 X 6 Flange Rubber Slipper
3	1003435-0001	1	BADGE, CYBEX, 1-3/4 X 5-1/2

Right Bar Support



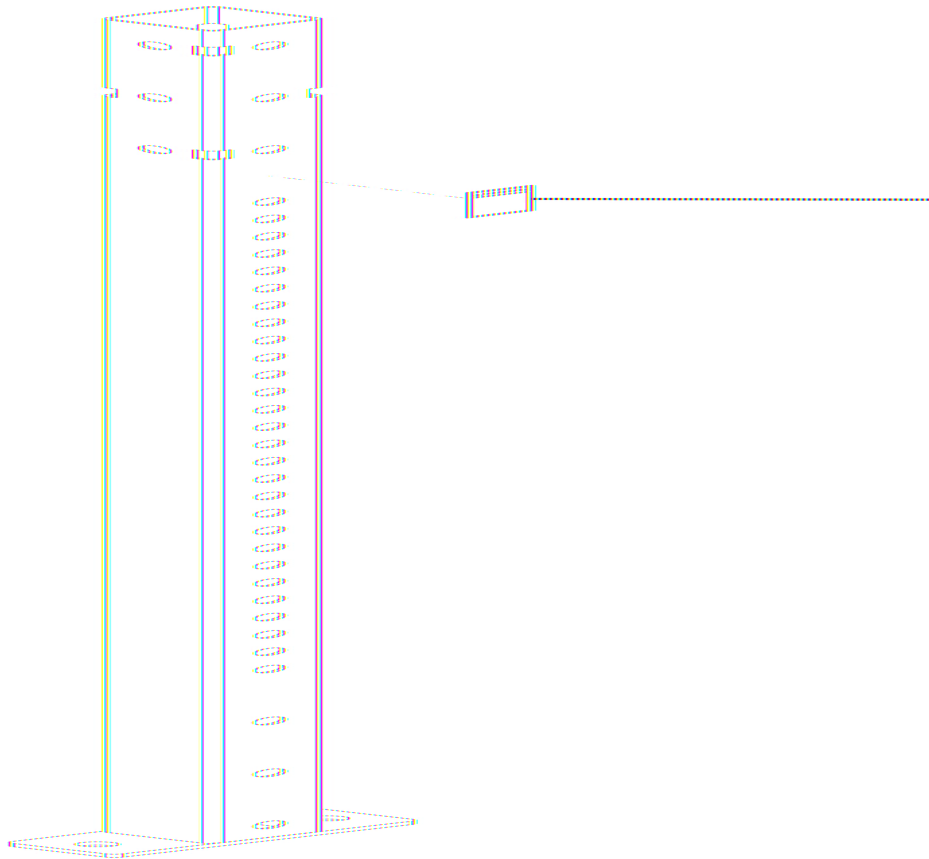
Ref #	Part Number	Qty	Description
1	1000968-0001	2	GUARD, PAINT, 3-1/4X2-7/8
2	1000971-0001	1	GUARD, PAINT, 75 DEG TAB
3	1000973-0001	1	GUARD, AT, BS
4	1001191-0000	1	ASSY, AT-PR, BS, RT
5	1001964-0001	1	GUARD, PAINT, 3X3
6	3272805	2	1/2 IN - 13X 1.25 IN UNC HHCS G5 ZN
7	WASH.5SAE	2	Hardware: 1/2 SAE Flat Washer

Storage Uprights



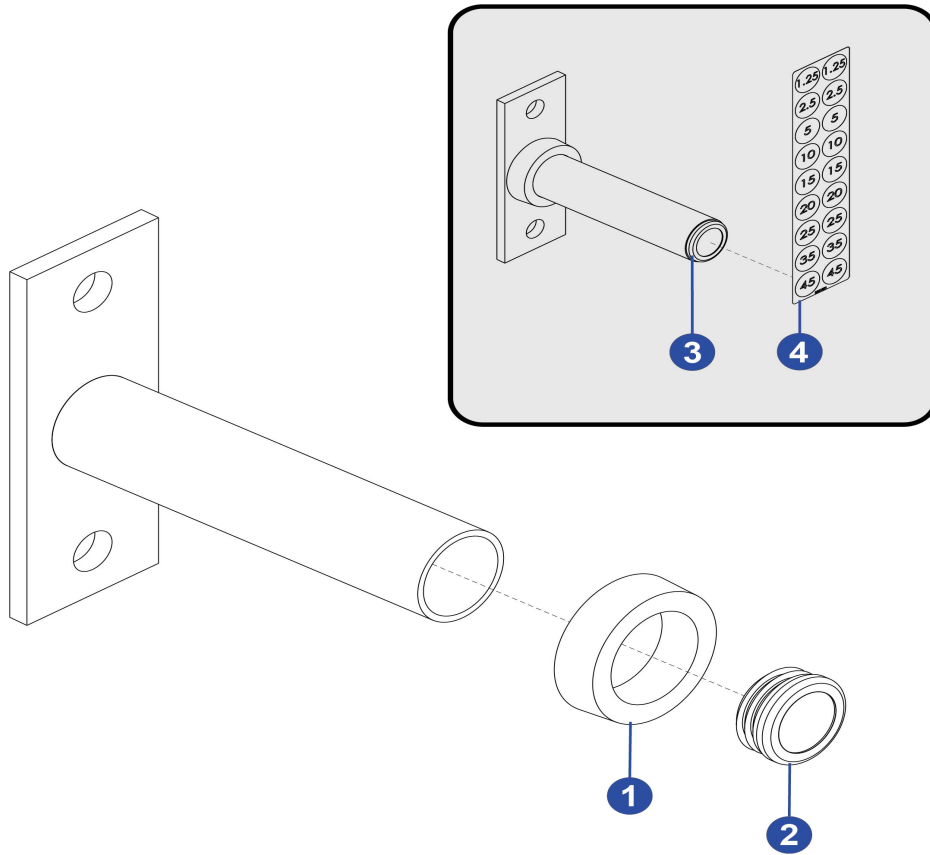
Ref #	Part Number	Qty	Description
1	1002885-0000	1	WLDMT, AT-HR/HRHR/PR, UPRIGHT, STORAGE
2	1000557-0001	2	CAP, 3X3 11GA, END
3	1002950-0000	1	ASSY, AT-HR/HRHR/PR, UPRIGHT, STORAGE

Storage Upright Label



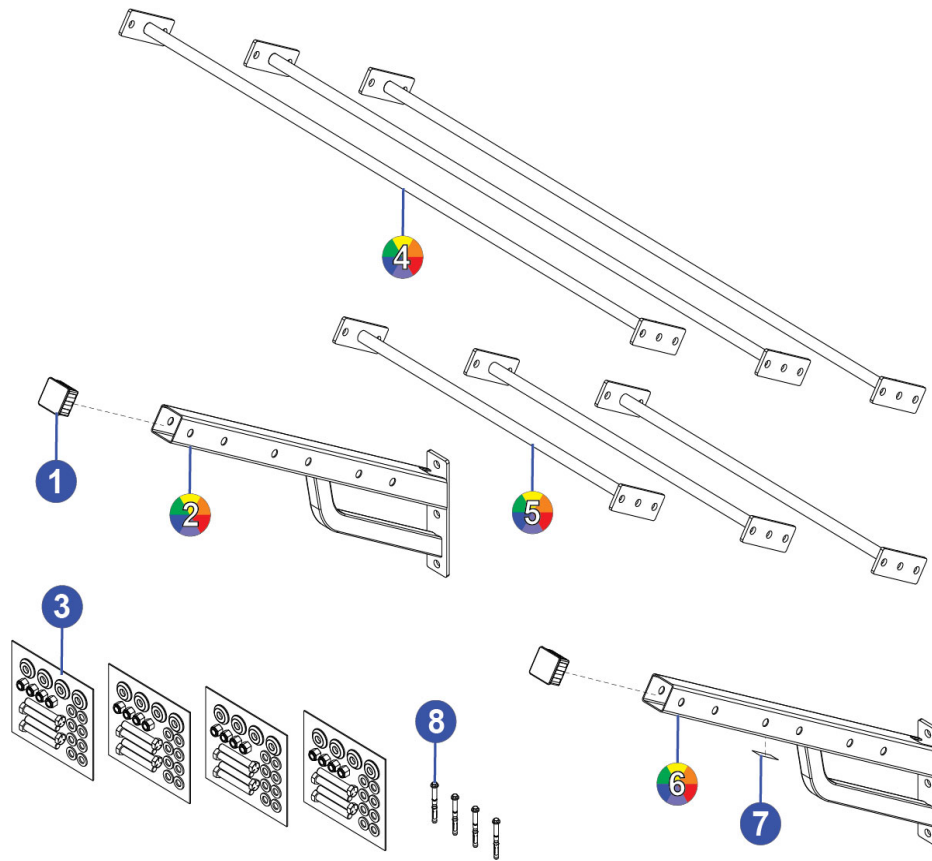
Ref #	Part Number	Qty	Description
1	1001813-0001	1	LABEL, WARN, STRAP TRAIN, SHEET

Weight Horn Assembly



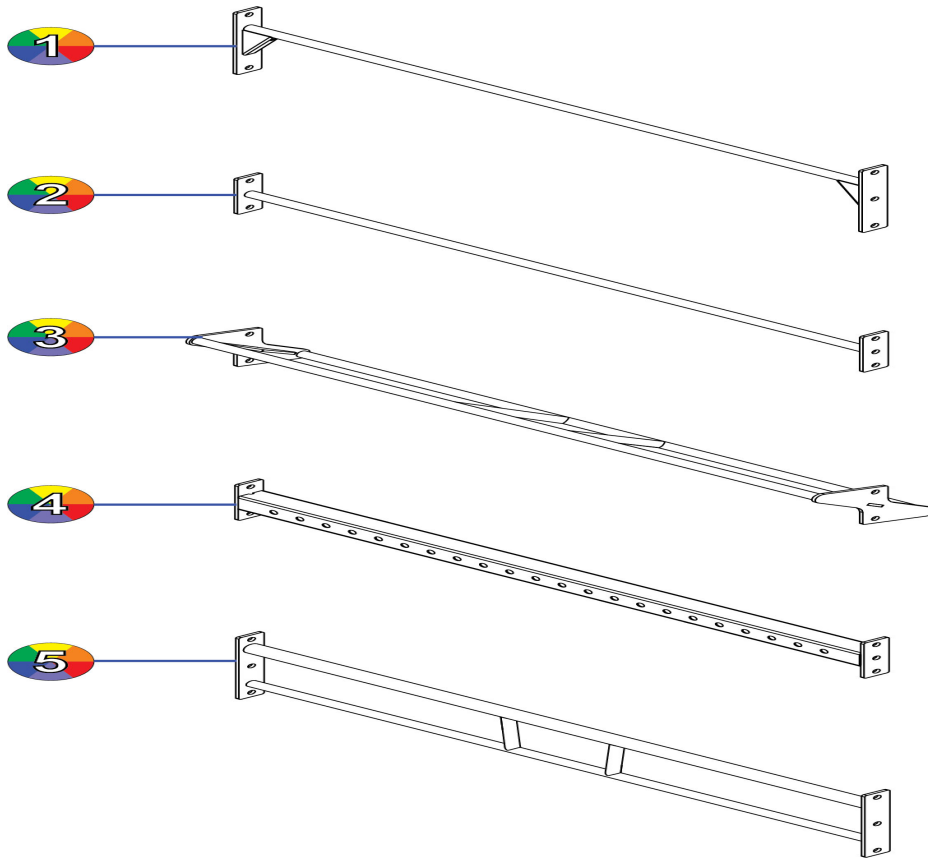
Ref #	Part Number	Qty	Description
1	7671601	1	Bumper Weight Horn/Rod
2	8078001	1	End Cap
3	1000629-0001	1	ASSY, WGT HORN, 8IN
4	8351801	1	Labe Sheet Weight Horn

Wing



Ref #	Part Number	Qty	Description
1	1000557-0001	2	CAP, 3X3 11GA, END
2	1000950-0000	1	WLDMT, AT, WING
3	1001506-0001	4	ASSY, AT, BLISTER PACK 1
4	1000639-0000	3	WLDMT, AT, PU, MB, 42- Custom
5	1000640-0000	3	WLDMT, AT, PU, MB, 72
6	1002961-0000	1	ASSY, AT, WING, SUB
7	1002344-0001	1	LABEL, REQ BOLT TO FLOOR, MULTI-LANG SHEET
8	9226402	4	ANCHOR, HSL-3 M8/40 HEAVY DUTY EXPANSION

72" Pull Up Rack Connectors



Ref #	Part Number	Qty	Description
1	1000649-0000	1	WLDMT, AT, PU, SB, 72
2	1000640-0000	1	WLDMT, AT, PU, MB, 72
3	1000648-0000	1	WLDMT, AT, PU, CN, 72
4	1000568-0000	1	WLDMT, AT, PU, SQU, 72
5	1000571-0000	1	WLDMT, AT, PU, TS, 72

