

Strength Incline Chest Press

SU10

Parts Manual

1/5/2019 16:58:51 PM

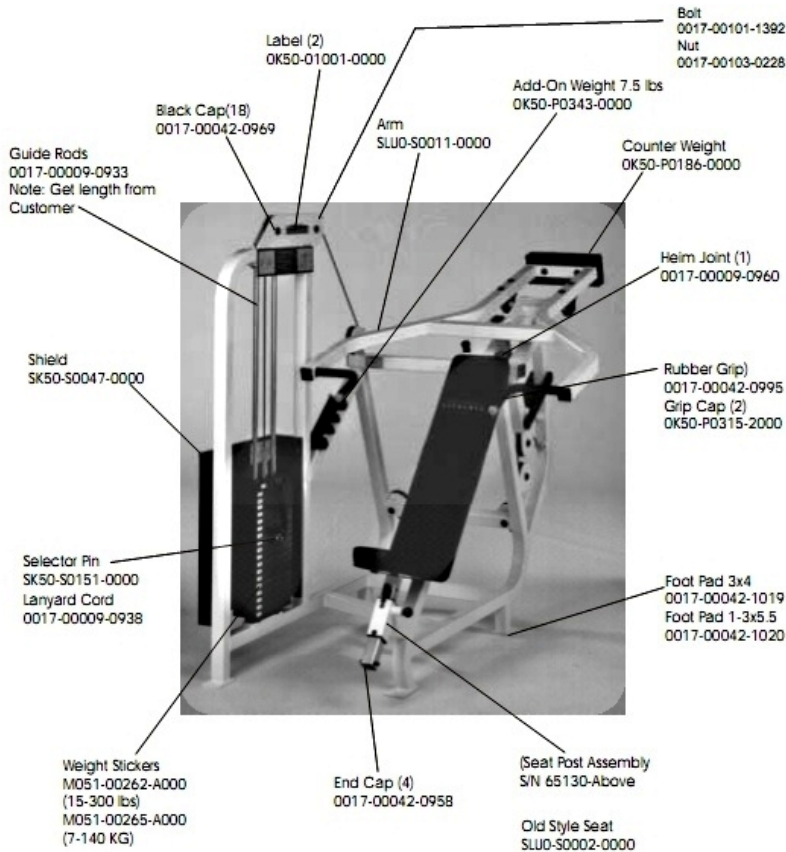


Table of Contents

[Component Assembly 1](#).....3
[Component Assembly 2](#).....4
[Component Assembly 3](#).....5
[Component Assembly 4](#).....6
[Seat Post Assembly](#).....7

** Upholstery & Frame Colors are listed at the end of the Parts Manual **

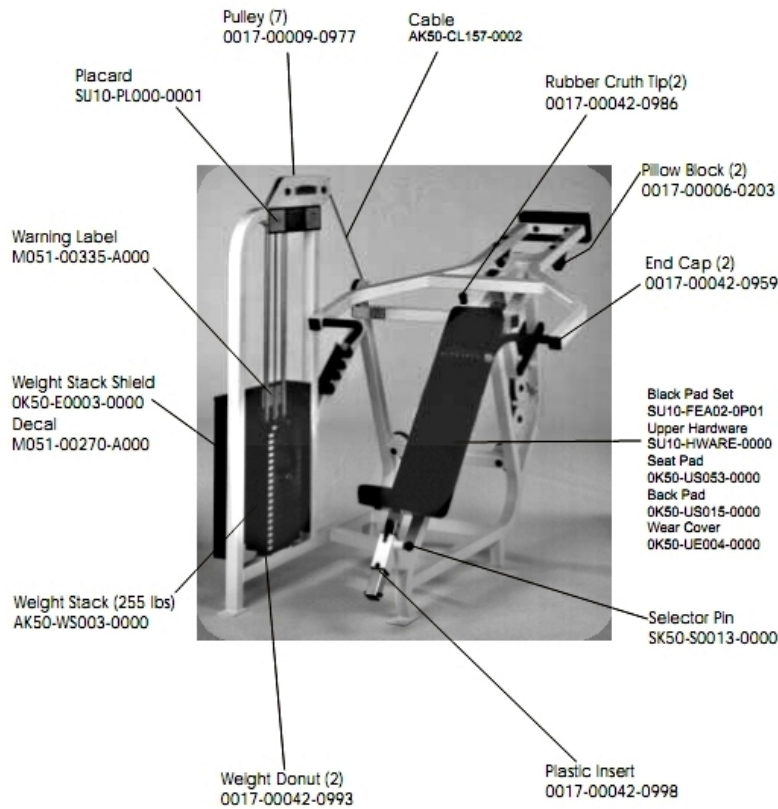
Component Assembly 1



Ref #	Part Number	Qty	Description
-	0017-00042-1209	1	1" ID Grip
-	M051-00265-A000	1	Kilogram Regular 7-140 INC-7
-	0017-00042-1020	1	3"X5.5" Foot Pad; Strength
-	7353001	2	Hardware: Assembly Selector Pin
-	OK50-P0315-2000	2	Cap; Grip
-	0017-00009-0933	1	Chrome Rod: 3/4" Get Length From Customer
-	0017-00042-1019	1	3"X4" Foot Pad; Strength
-	OK50-P0343-0000	1	NLA: ADD ON WEIGHT 7.5 LB STR INUED
-	0017-00042-0958	4	Endcap: Black; 2 IN X 2 IN; Life Fitness-Strength
-	0017-00101-1392	1	Hardware: 1/4 Shoulder Bolt; Strength
-	SK50-S0047-0000	1	2.5" New 9000 Shield Retro Kit
-	M051-00262-A000	1	Manual: Pound Regular 15-300 INC-15
-	OK50-P0186-0000	1	Weight; Shoudler Press; Strength
-	0017-00103-0228	1	Hardware: Nut 10-24 HEX D ST ZN B
-	0017-00009-0960	1	Hardware: Joint: 3/8" Small Heim N/D
-	0017-00042-0969	18	Finishing Cap - Large (RH20)

** Upholstery and Frame Colors are list at the end of the Parts Manual **

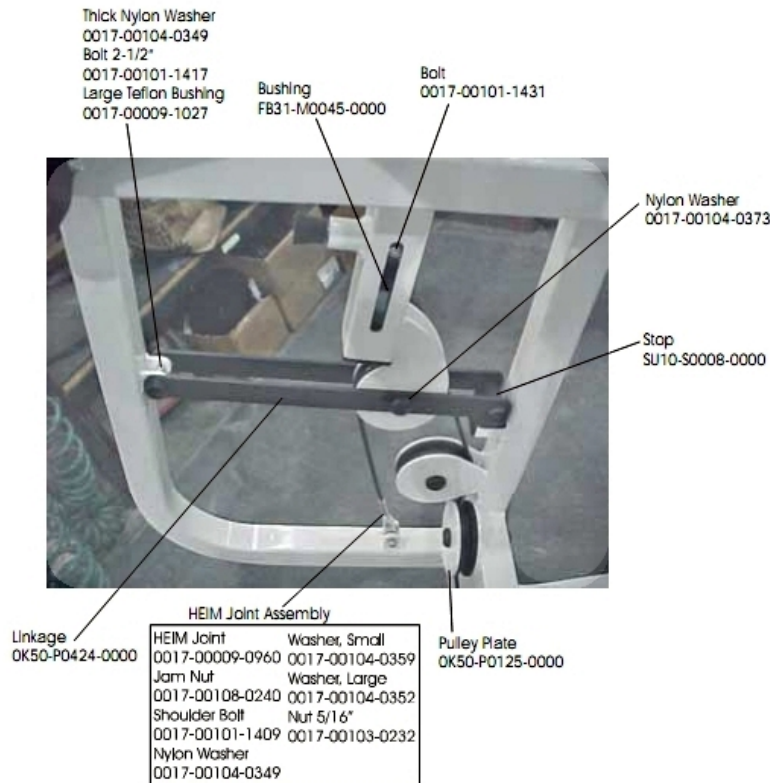
Component Assembly 2



Ref #	Part Number	Qty	Description
-	OK50-A1102-0000	1	Magnitized Weight Stack Pin with Lanyard and Ring For Customer Service
-	0017-00006-0203	2	Slotted 1.0" ID Pillow Block Bearing (Slot 11/16"
-	M051-00270-A000	1	Shield Decal; Strength
-	OK50-US053-0000	1	Seat Pad; SU05 & SU10; Strength
-	OK50-US015-0000	1	Upholstery Sub Back; SL45; Strength
-	0017-00042-0998	1	Seat Guide
-	0017-00042-0993	2	3/4" Donut Cap
-	OK50-UE004-0000	1	Wear Cover; Strength
-	M051-00335-A000	1	Warning Decal 9000 Vertical.
-	0017-00042-0986	2	Cap: Rubber Crutch Tips
-	SU10-HWARE-0000	1	NLA: PAD SET MOUNTING HARDWARE
-	0017-00042-0959	2	Cap; For Tubing; 2"X3"; Strength
-	3237801	7	Pulley 4.5" OD
-	AK50-WS014	1	255LB WS W/ NEW RED & 1.06 PLT
-	SU10-PL000-0001	1	Placard; Incline Press
-	AK50-CL153-0802	1	Cable; 153.5 Ball with Plug ST; ST
-	OK50-E0003-0000	1	NLA: SHIELD; PEC; S/P; STD DIP

** Upholstery and Frame Colors are list at the end of the Parts Manual **

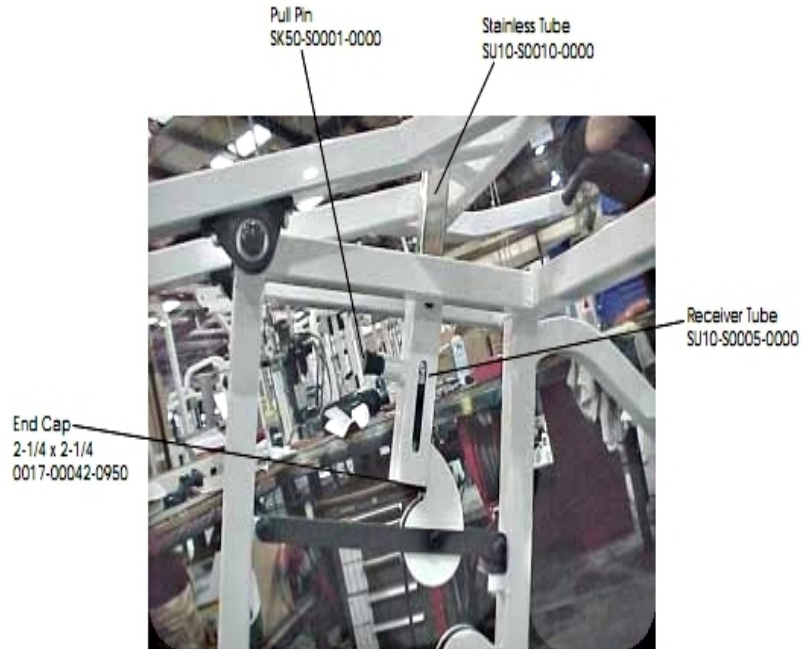
Component Assembly 3



Ref #	Part Number	Qty	Description
-	0017-00104-0352	1	Hardware: Washer 375-.734-065 FL-D ST ZN B
-	0017-00104-0373	1	Hardware: Washer 375-1.00-062 FL- TL NO B
-	SU10-S0008-0000	1	NLA: SUB INCLINE STOP
-	0017-00009-0960	1	Hardware: Joint: 3/8" Small Heim N/D
-	0017-00009-1027	1	Bushing: .375 ID .625 Teflon N/D
-	0017-00101-1409	1	Hardware: Bolt; Strength
-	0017-00101-1431	1	Hardware: 5/16-18X 8 UNS HXS BLT G5 ZN B
-	0017-00101-1417	1	Hardware: 3/8 -16X40 UNS HEX BLT
-	0017-00104-0359	1	Hardware: Washer 312-.734-065 FL-D ST ZN B
-	OK50-P0424-0000	1	NLA: LASER PART
-	0017-00103-0232	1	Hardware: Nut 5/16-18 Jam D ST ZN B
-	OK50-P0125-0000	1	NLA: MISC. BRKT COVER; STRENGTH
-	0017-00104-0349	2	Hardware: 1/4 X 1/4 Washer
-	7662301	1	Bushing FWMAB SS Slide

** Upholstery and Frame Colors are list at the end of the Parts Manual **

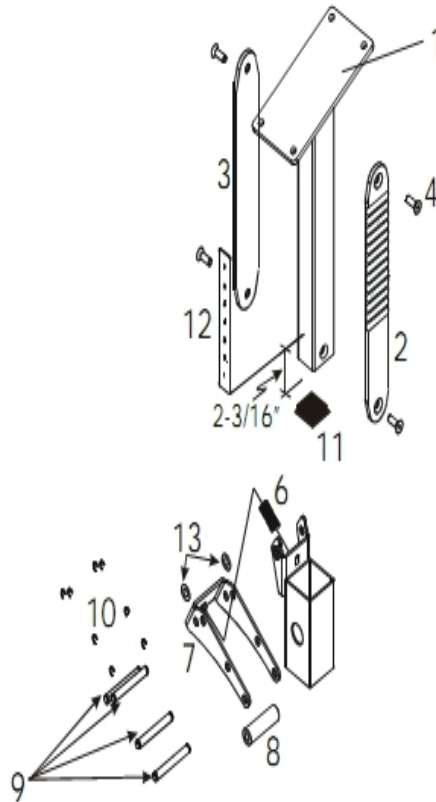
Component Assembly 4



Ref #	Part Number	Qty	Description
-	SU10-S0010-0000	1	NLA: SUB ARM ADJUST SLIDE
-	SK50-S0001-0000	1	2.75" Pull Pin Kit; Gen Purchased
-	SU10-S0005-0000	1	NLA: SUB INCLINE RECIEVER
-	0017-00042-0950	1	2 1/4 X 2 1/4 Endcap

** Upholstery and Frame Colors are list at the end of the Parts Manual **

Seat Post Assembly



Ref #	Part Number	Qty	Description
1	AK50-S0028-0000	1	Seat Post Weldment
2	0K50-P0547-0000	1	Plate, Front Striker
3	0K50-P0548-0000	1	Plate, Back Striker
4	0017-00101-1655	4	Hardware: 5/16-24X12 FLT SOC CS ST ZN B
6	0017-00009-1079	1	Spring: Compression N/D
7	0K50-P0550-0000	1	Release Lever
8	0017-00042-1089	1	3/8" ID X 3/16" Wall Extruded Tube Duro 65A Black
9	0K50-P0551-0000	4	Hardware: Grooved Pin
10	0017-00100-0190	8	Ring C .375 5103-37 ST ZN
11	0017-00042-0944	1	1 1/2 X 1 1/2 Endcap
12	M051-00363-A000	1	Decal: Seat Post Number Strip 14 Notch
13	0017-00104-0373	2	Hardware: Washer 375-1.00-062 FL- TL NO B

** Upholstery and Frame Colors are list at the end of the Parts Manual **

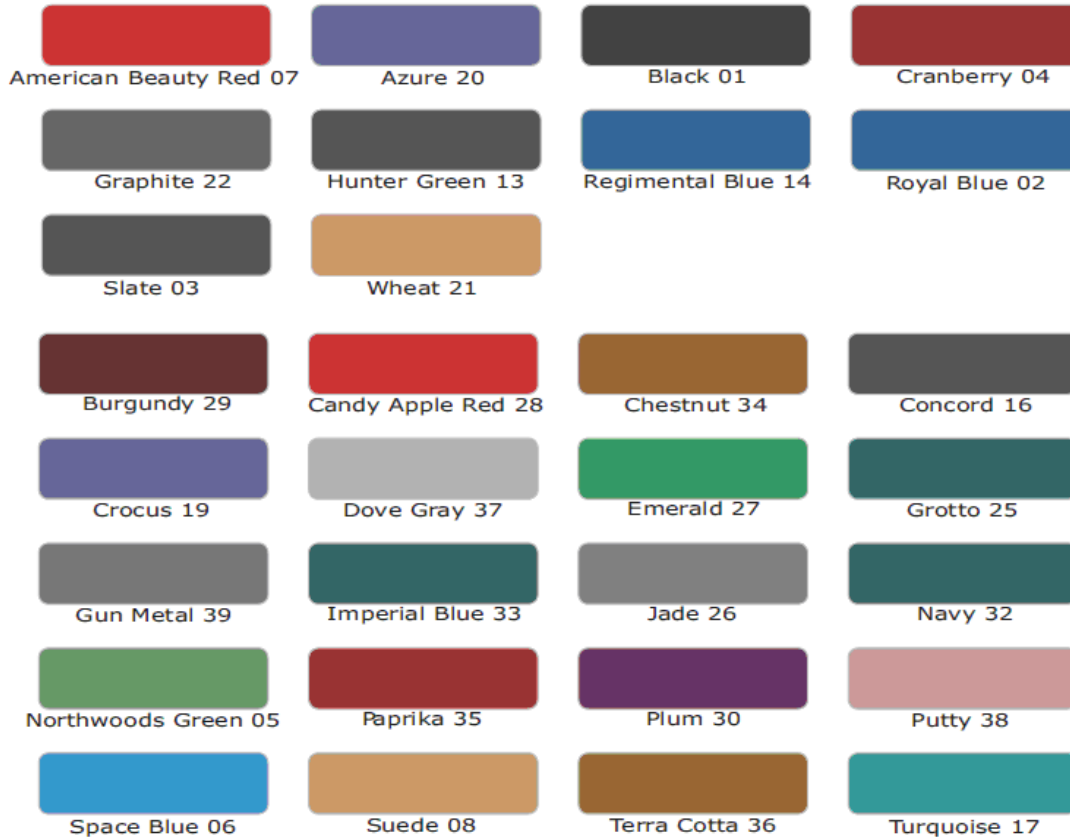
Frame and Upholstery Color Chart

Frame Colors



Note: Include frame color in order notes when ordering frame assemblies or weldments.

Upholstery Colors



Replace '99' with the above color suffix when ordering pads (i.e. 7412399 = 7412301 BLACK)

