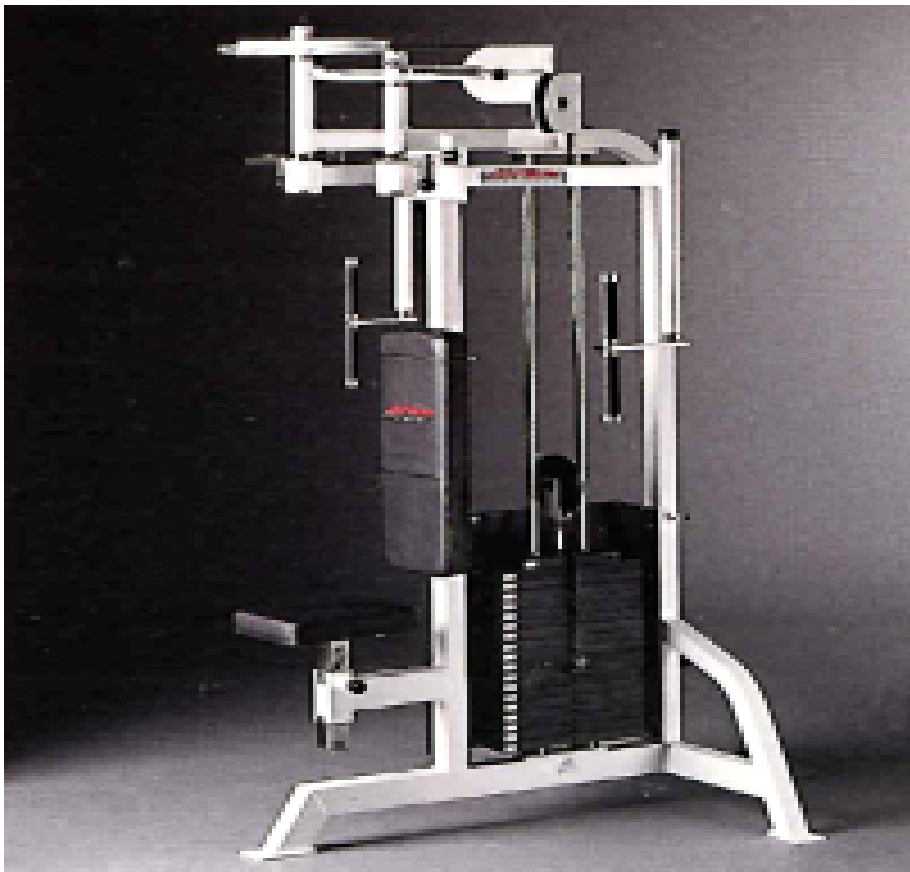


# Strength Rear Deltoid/Pectoral Fly

SU35

## Parts Manual

1/5/2019 16:58:51 PM



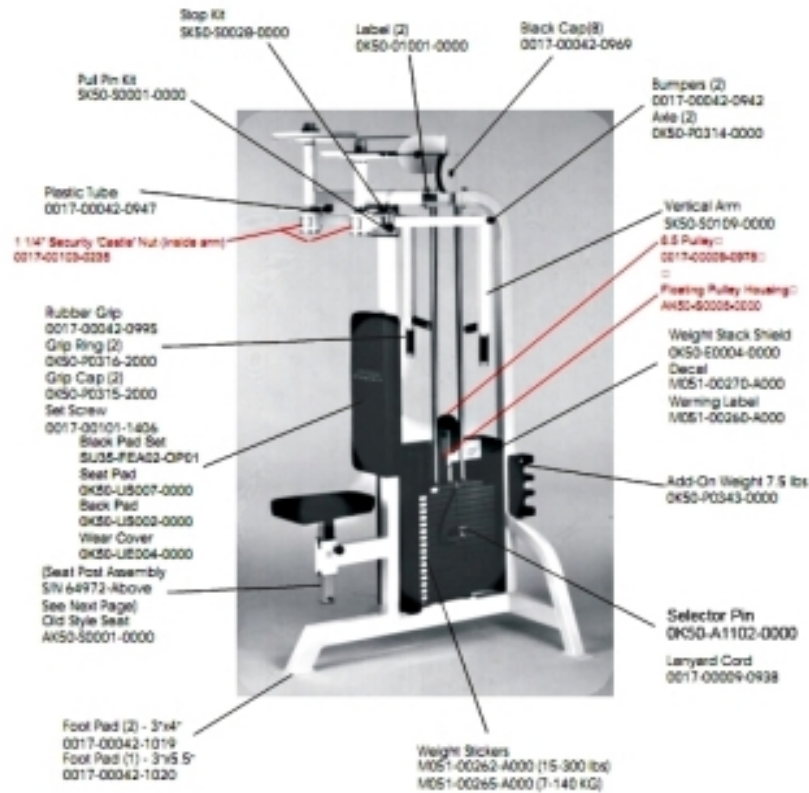
**Table of Contents**

---

[Component Assembly 1](#).....3  
[Component Assembly 2](#).....5  
[Component Assembly 3](#).....6  
[Component Assembly 4](#).....7  
[Seat Post Assembly](#).....8

\*\* Upholstery & Frame Colors are listed at the end of the Parts Manual \*\*

Component Assembly 1

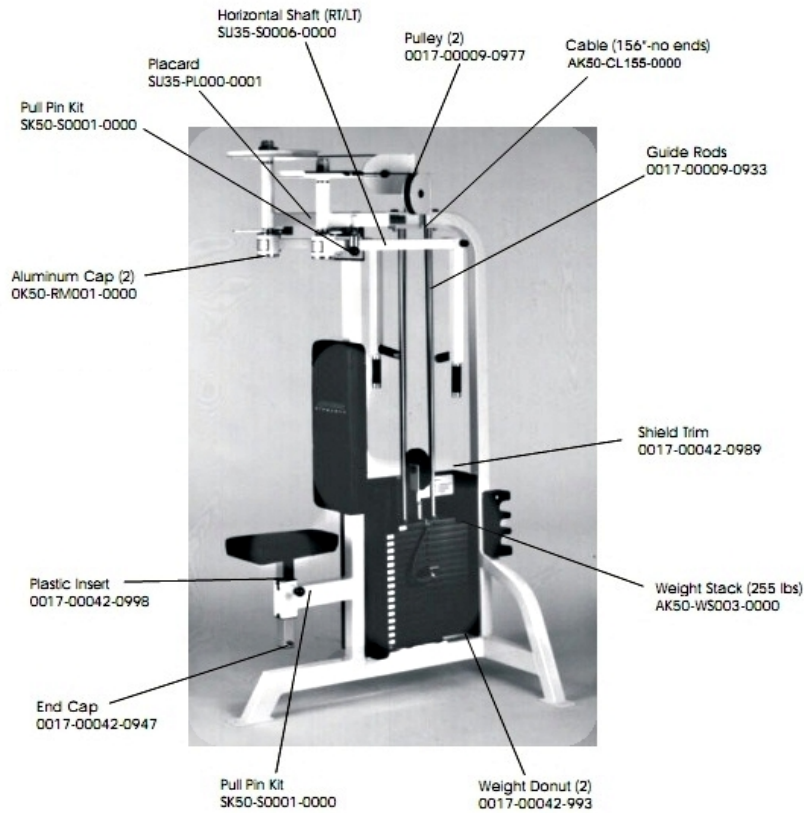


Ref #	Part Number	Qty	Description
-	0017-00009-0978	1	Pulley: 6" N/D
-	M051-00270-A000	1	Shield Decal; Strength
-	SK50-S0028-0000	1	Rear Deltoid Stop Kit; Strength
-	0017-00042-0947	1	1-3/4"X3/4"X11" G Plastic Cap
-	0017-00101-1406	1	Hardware: 10-32 X 1/8; Set Screw
-	0017-00103-0235	1	Hardware: Nut 1-14 Security D ST ZN B
-	OK50-P0315-2000	2	Cap; Grip
-	7353001	1	Hardware: Assembly Selector Pin
-	AK50-S0006-0000	1	Floating Pulley Housing; Strength
-	OK50-A1102-0000	2	Magnitized Weight Stack Pin with Lanyard and Ring For Customer Service
-	0017-00042-1209	1	1" ID Grip
-	0017-00042-0942	2	1" Bumper; Rear; Deltoid/Pec
-	0017-00042-0969	8	Finishing Cap - Large (RH20)
-	0017-00042-1019	2	3"X4" Foot Pad; Strength
-	OK50-P0314-0000	2	Axle Ab/Adductor
-	OK50-P0316-2000	2	Collar: 1" ID Collar
-	OK50-P0343-0000	1	NLA: ADD ON WEIGHT 7.5 LB STR INUED
-	OK50-US002-0000	1	BackPad; SU35; Strength
-	AK50-S0001-0000	1	Sub Multi Use Seat
-	M051-00293-B000	1	Decal: ASTM Warning Label
-	OK50-E0004-0000	1	NLA: /SHIELD; B/E; LAT; HORIZ L/P

Ref #	Part Number	Qty	Description
-	M051-00265-A000	1	Kilogram Regular 7-140 INC-7
-	0017-00042-1020	1	3"X5.5" Foot Pad; Strength
-	0K50-US007-0000	1	ST Pad; SU30, 35, 15, & 75 Strength
-	M051-00262-A000	1	Manual: Pound Regular 15-300 INC-15
-	SK50-S0001-0000	1	2.75" Pull Pin Kit; Gen Purchased
-	SK50-S0109-0000	1	SU35 Vertical Arm & Axle Service Kit
-	0K50-UE004-0000	1	Wear Cover; Strength

\*\* Upholstery and Frame Colors are list at the end of the Parts Manual \*\*

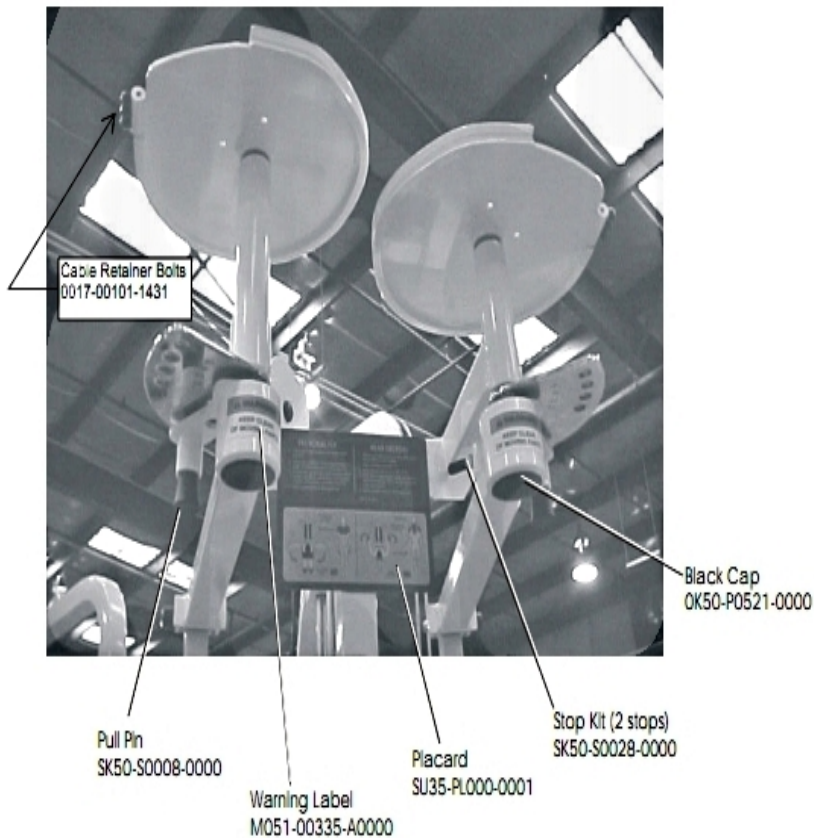
## Component Assembly 2



Ref #	Part Number	Qty	Description
-	SU35-PL000-0001	1	Placard; Rear Deltoid
-	0017-00042-0993	2	3/4" Donut Cap
-	SK50-S0001-0000	2	2.75" Pull Pin Kit; Gen Purchased
-	0017-00009-0933	1	Chrome Rod: 3/4" Get Length From Customer
-	AK50-CL155-0000	1	Cable; 155 IN Cable No Ends
-	AK50-WS014	1	255LB WS W/ NEW RED & 1.06 PLT
-	0017-00042-0989	1	NLA: **BLACK SHIELD TRIM
-	0017-00042-0947	1	1-3/4"X3/4"X11" G Plastic Cap
-	SK50-S0052-0000	1	Service Kit SU35 Arm Retrofit (Horizontal)
-	0017-00042-0998	1	Seat Guide
-	0K50-P0521-0000	2	Pec/Rear Deltoid Plastic Hub Cap
-	3237801	2	Pulley 4.5" OD

\*\* Upholstery and Frame Colors are list at the end of the Parts Manual \*\*

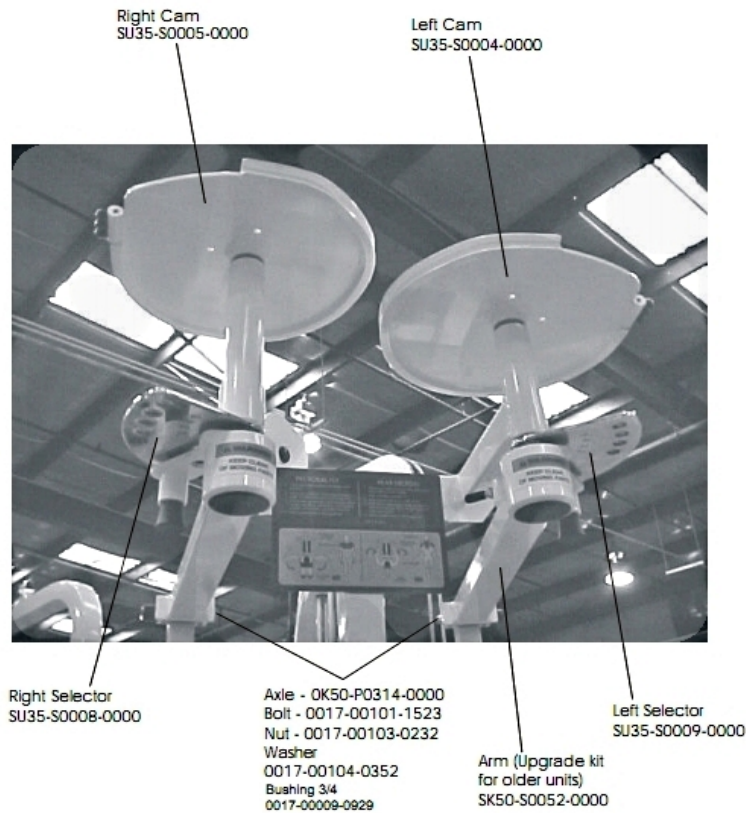
## Component Assembly 3



Ref #	Part Number	Qty	Description
-	M051-00335-A000	1	Warning Decal 9000 Vertical.
-	SK50-S0028-0000	2	Rear Deltoid Stop Kit; Strength
-	OK50-P0521-0000	1	Pec/Rear Deltoid Plastic Hub Cap
-	SU35-PL000-0001	1	Placard; Rear Deltoid
-	SK50-S0008-0000	1	2.75 PPK; SL25 SL45 Range LIM
-	0017-00101-1431	1	Hardware: 5/16-18X 8 UNS HXS BLT G5 ZN B

\*\* Upholstery and Frame Colors are list at the end of the Parts Manual \*\*

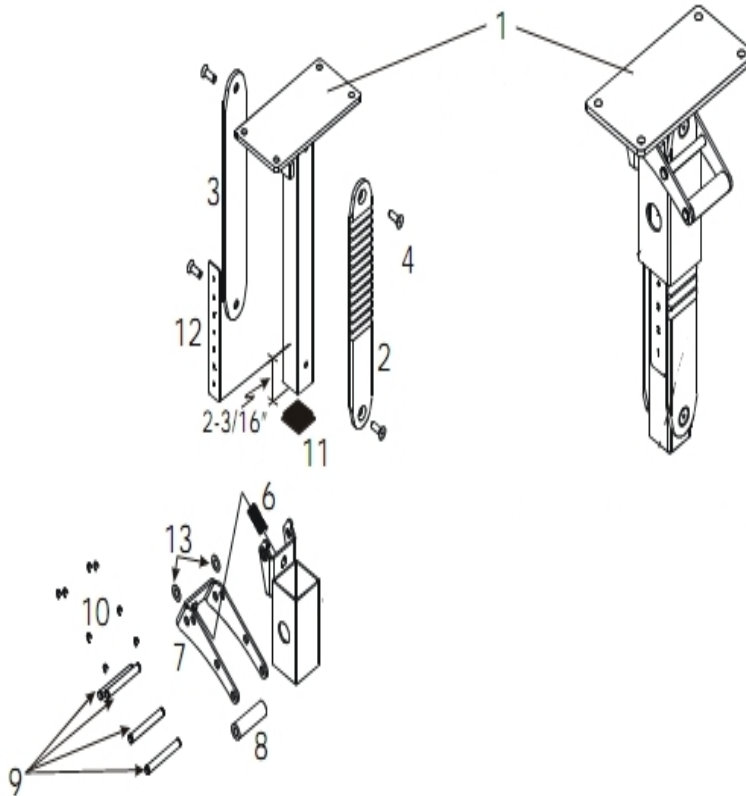
## Component Assembly 4



Ref #	Part Number	Qty	Description
-	SU35-S0008-0000	1	Sub RL Selector Left
-	OK50-P0314-0000	1	Axle Ab/Adductor
-	0017-00104-0352	1	Hardware: Washer 375-.734-065 FL-D ST ZN B
-	SU35-S0005-0000	1	SU35 Right (Upper) Cam Sub
-	SU35-S0009-0000	1	Rear Deltoid Shaft Assembly; Strength
-	SU35-S0004-0000	1	SU35 Left (Lower) Cam Sub
-	0017-00009-0929	1	Spacer: Flange: 3/4" ID Oilite Bushing N/D
-	SK50-S0052-0000	1	Service Kit SU35 Arm Retrofit (Horizontal)
-	0017-00101-1523	1	Hardware: 3/8 -16X56 HXS HEX BLT G5 ZN B
-	0017-00103-0232	1	Hardware: Nut 5/16-18 Jam D ST ZN B

\*\* Upholstery and Frame Colors are list at the end of the Parts Manual \*\*

## Seat Post Assembly



Ref #	Part Number	Qty	Description
1	AK50-S0028-0000	1	Seat Post Weldment
2	0K50-P0547-0000	1	Plate, Front Striker
3	0K50-P0548-0000	1	Plate, Back Striker
4	0017-00101-1655	4	Hardware: 5/16-24X12 FLT SOC CS ST ZN B
6	0017-00009-1079	1	Spring: Compression N/D
7	0K50-P0550-0000	1	Release Lever
8	0017-00042-1089	1	3/8" ID X 3/16" Wall Extruded Tube Duro 65A Black
9	0K50-P0551-0000	4	Hardware: Grooved Pin
10	0017-00100-0190	8	Ring C .375 5103-37 ST ZN
11	0017-00042-0944	1	1 1/2 X 1 1/2 Endcap
12	M051-00363-A000	1	Decal: Seat Post Number Strip 14 Notch
13	0017-00104-0373	2	Hardware: Washer 375-1.00-062 FL- TL NO B

\*\* Upholstery and Frame Colors are list at the end of the Parts Manual \*\*

# Frame and Upholstery Color Chart

## Frame Colors



Note: Include frame color in order notes when ordering frame assemblies or weldments.

## Upholstery Colors



Replace '99' with the above color suffix when ordering pads (i.e. 7412399 = 7412301 BLACK)

