

Strength Low Row

SU50

Parts Manual

1/5/2019 17:00:16 PM



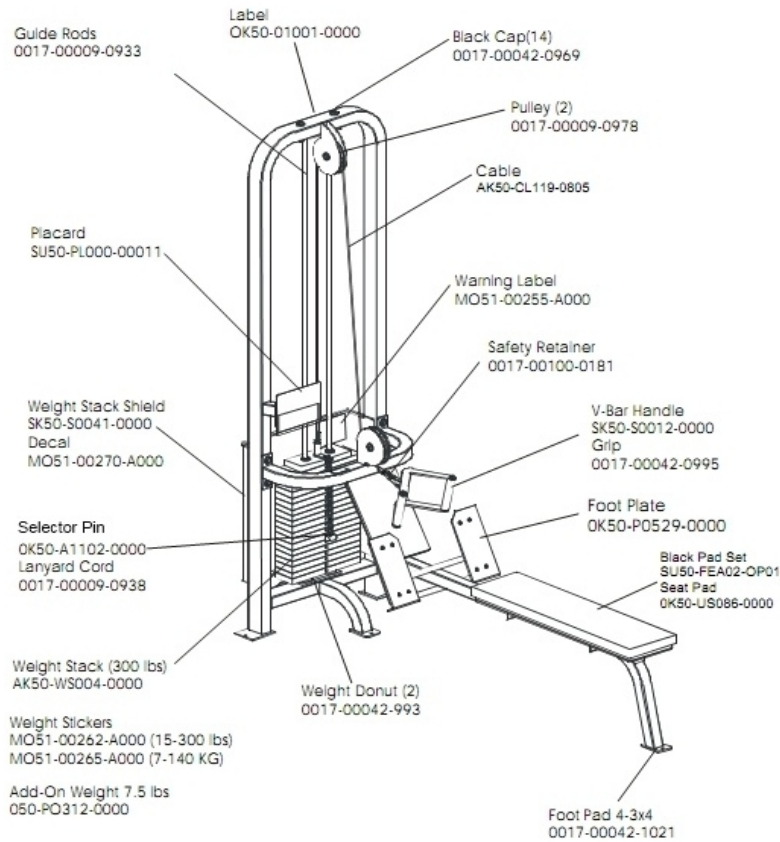
NO IMAGE AVAILABLE

Table of Contents

[Component Assembly](#).....3

** Upholstery & Frame Colors are listed at the end of the Parts Manual **

Component Assembly



Ref #	Part Number	Qty	Description
-	0017-00009-0978	2	Pulley: 6" N/D
-	M051-00262-A000	1	Manual: Pound Regular 15-300 INC-15
-	OK50-P0312-0000	1	NLA: ADD ON PLATE; 5.0 LB; STRENGTH
-	AK50-CL119-0805	1	Cable; Ball One End with Thimble
-	AK50-WS015	1	300LB WS W/ NEW RED & 1.06 PLT
-	M051-00270-A000	1	Shield Decal; Strength
-	0017-00042-1021	1	4"X5" Foot Pad; Strength
-	SK50-S0041-0000	1	Split Collar Kit; SU55
-	0017-00100-0181	1	Snap Ring; 3/8"; Carabiner; Strength
-	7353001	1	Hardware: Assembly Selector Pin
-	8039501	1	Label Warning Triangle 10-0099-067 BNR
-	OK50-A1102-0000	2	Magnitized Weight Stack Pin with Lanyard and Ring For Customer Service
-	0017-00042-1209	1	1" ID Grip
-	OK50-US086-0000	1	Upholstery Sub Back
-	0017-00009-0933	1	Chrome Rod: 3/4" Get Length From Customer
-	0017-00042-0969	14	Finishing Cap - Large (RH20)
-	8347301	1	Kit, Snap-On Footplate
-	M051-00265-A000	1	Kilogram Regular 7-140 INC-7
-	SK50-S0012-0000	1	Lat Pull Handlebar
-	0017-00042-0993	2	3/4" Donut Cap

** Upholstery and Frame Colors are list at the end of the Parts Manual **

Frame and Upholstery Color Chart

Frame Colors



Note: Include frame color in order notes when ordering frame assemblies or weldments.

Upholstery Colors



Replace '99' with the above color suffix when ordering pads (i.e. 7412399 = 7412301 BLACK)

