

Strength Dip and Chin Assist

SU86

Parts Manual

1/5/2019 17:01:46 PM

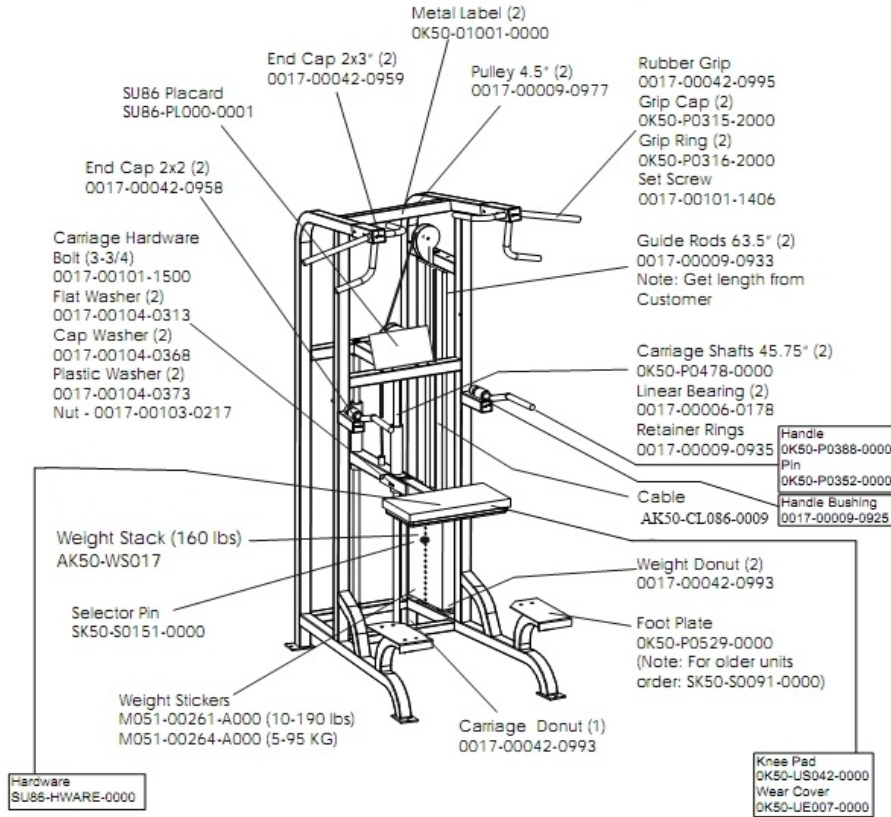


Table of Contents

[Component Assembly](#).....3
[Frame Components](#).....5
[Platform Components](#).....6

** Upholstery & Frame Colors are listed at the end of the Parts Manual **

Component Assembly

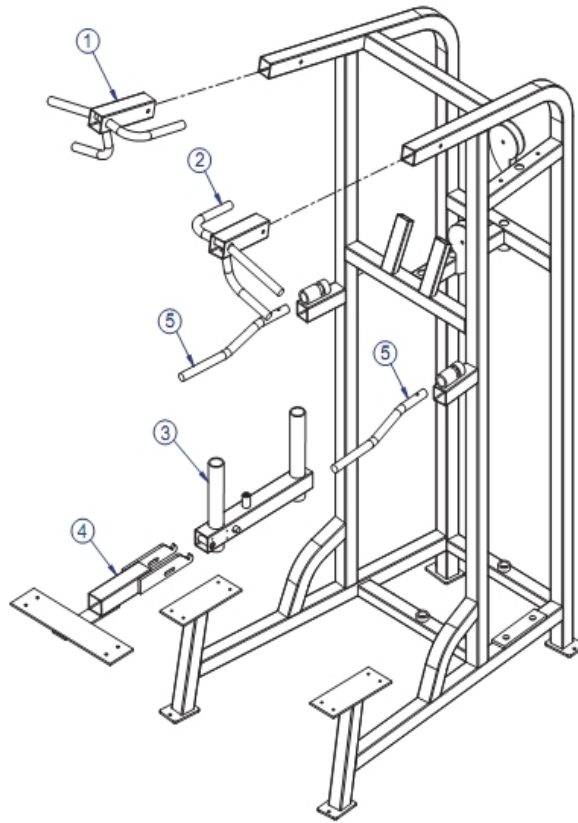


Ref #	Part Number	Qty	Description
-	0017-00042-0993	3	3/4" Donut Cap
-	M051-00264-A000	1	Manual: Kilogram Regular 5-954150-5
-	0017-00042-0959	2	Cap; For Tubing; 2"X3"; Strength
-	0017-00009-0925	1	Spacer: Flange:1" Strength; Bushing N/D
-	8347301	1	Kit, Snap-On Footplate
-	OK50-P0478-0000	2	Linear Shaft-Case Hard.-45.75"
-	OK50-P0316-2000	2	Collar: 1" ID Collar
-	0017-00104-0373	2	Hardware: Washer 375-1.00-062 FL- TL NO B
-	0017-00101-1500	1	Hardware: 3/8X3 3/4 Bolt; Strength
-	0017-00009-0933	2	Chrome Rod: 3/4" Get Length From Customer
-	0017-00006-0178	2	Bearing; SSU16 Dip/Chin
-	0017-00103-0217	1	Hardware: Nut 3/8 -16 Thin D ST ZN B
-	SU86-HWARE-0000	1	Pad Set Mounting Hardware
-	0017-00101-1406	1	Hardware: 10-32 X 1/8; Set Screw
-	0017-00104-0368	2	Hardware: Flanged Finishing Washer - Large (RHW205)
-	OK50-US042-0000	1	Knee Pad; SU85; Strength
-	SU86-PL000-0001	1	Placard: Dip+Chin Assist; English.
-	OK50-P0315-2000	2	Cap; Grip
-	7353001	1	Hardware: Assembly Selector Pin
-	OK50-P0338-0000	1	NLA: HANDLE; STRENGTH
-	OK50-A1102-0000	2	Magnitized Weight Stack Pin with Lanyard and Ring For Customer Service

Ref #	Part Number	Qty	Description
-	0017-00042-1209	1	1" ID Grip
-	0017-00009-0935	1	Clip; Bearing Retaining N/D
-	0017-00042-0958	2	Endcap: Black; 2 IN X 2 IN; Life Fitness-Strength
-	0017-00104-0313	2	Hardware: 3/8 Flat Washer; Strength
-	AK50-CL086-0009	1	Cable; Ball with Plug Both Ends
-	M051-00261-A000	1	Manual: Pound Regular 10-190 Increment-10
-	OK50-P0352-0000	1	Stop Tricep Handle
-	3237801	2	Pulley 4.5" OD

** Upholstery and Frame Colors are list at the end of the Parts Manual **

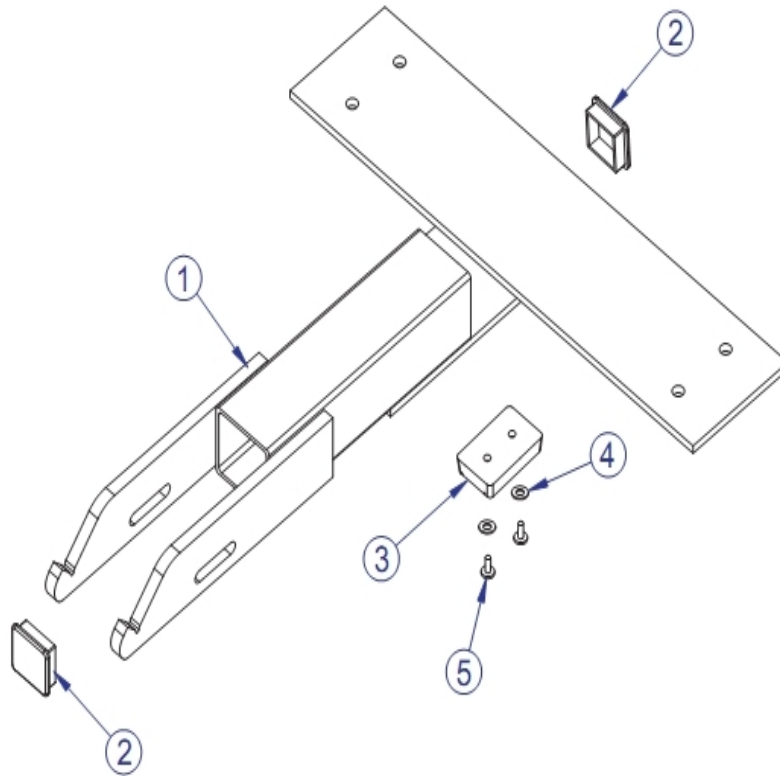
Frame Components



Ref #	Part Number	Qty	Description
1	SU85-S0001-0000	1	NLA: HANDLE, UPPER DIP CHIN ASSIT
2	SU85-S0002-0000	1	Handle, Dip Chin Assist Upper R
3	SU85-S0003-0000	1	Guide, Dip Chin Assist
4	SU85-S0004-0000	1	Platform, Dip Chin Assist
5	0K50-P0338-0000	2	NLA: HANDLE; STRENGTH

** Upholstery and Frame Colors are list at the end of the Parts Manual **

Platform Components



Ref #	Part Number	Qty	Description
1	SU85-S0004-0000	1	Platform, Dip Chin Assist
2	0017-00042-0950	2	2 1/4 X 2 1/4 Endcap
3	0017-00042-1032	1	1.50 X 2.31 X .50 Thick Bumper
4	0017-00104-0310	2	Hardware: Washer 10 200-.334-047 FL-D ST ZN B
5	0017-00101-1616	2	Hardware: 10-24 X 8 PHI PAN ST ZN B

** Upholstery and Frame Colors are list at the end of the Parts Manual **

Frame and Upholstery Color Chart

Frame Colors



Note: Include frame color in order notes when ordering frame assemblies or weldments.

Upholstery Colors



Replace '99' with the above color suffix when ordering pads (i.e. 7412399 = 7412301 BLACK)

