

# SCIFIT SXT7000 Elliptical

SXT7000-INT

## Parts Manual

1/17/2019 12:27:43 PM



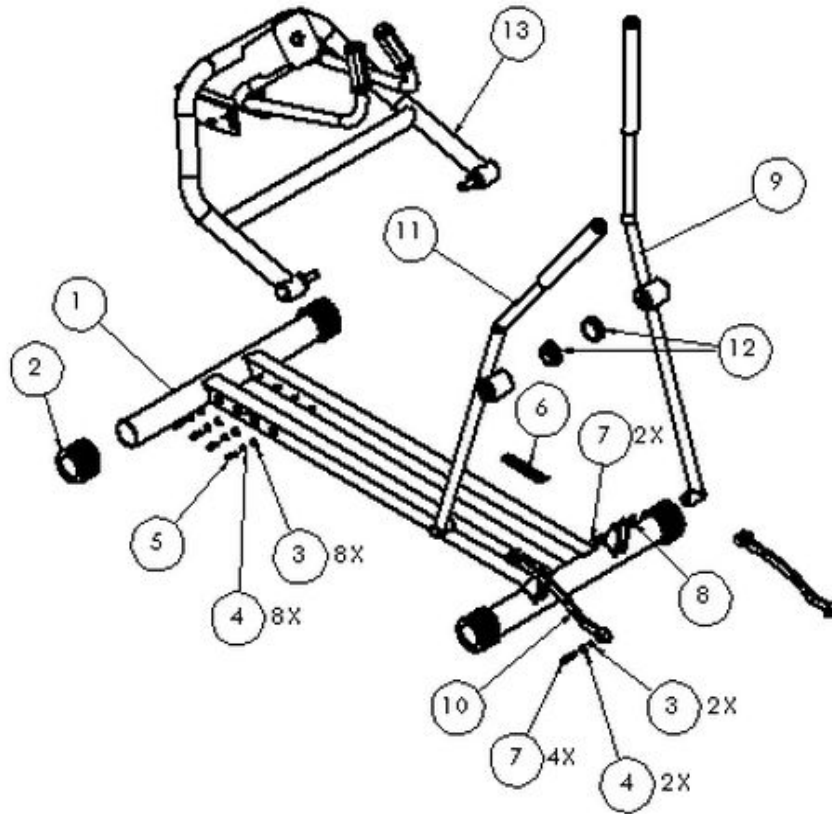


**Table of Contents**

---

|   |                    |
|---|--------------------|
| <a href="#">Base and Handlebars.....</a>                  | <a href="#">3</a>  |
| <a href="#">Covers SXT Post 9-2014.....</a>               | <a href="#">4</a>  |
| <a href="#">Covers SXT Pre 9-2014.....</a>                | <a href="#">5</a>  |
| <a href="#">Drive Assembly SXT.....</a>                   | <a href="#">6</a>  |
| <a href="#">Telerrail Left SXT.....</a>                   | <a href="#">7</a>  |
| <a href="#">Telerrail Right SXT.....</a>                  | <a href="#">8</a>  |
| <a href="#">Wiring SXT7000-7000E-INT Post 5-2013.....</a> | <a href="#">9</a>  |
| <a href="#">Wiring SXT7000-7000E-INT Pre 5-2013.....</a>  | <a href="#">10</a> |

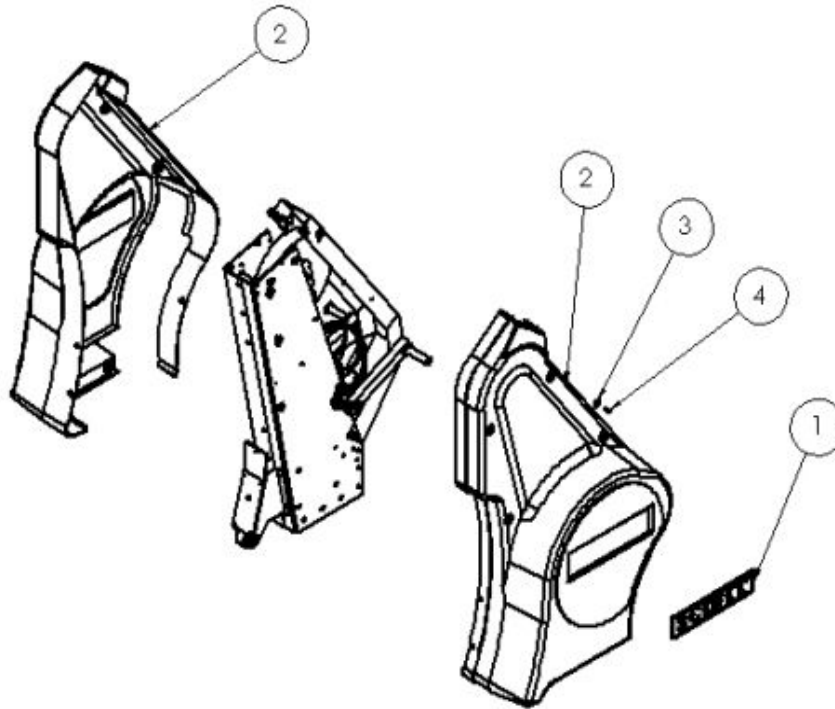
**Base and Handlebars**



| Ref # | Part Number | Qty | Description                          |
|-------|-------------|-----|--------------------------------------|
| 1     | C1527-CH    | 1   | Wldmt Frame Base Charcoal            |
| 2     | A1890       | 4   | Cap Base 3" Adj. 65 Durometer        |
| 3     | 33080       | 10  | 5/16" Zinc F/W                       |
| 4     | 33892       | 10  | 5/16" Yellow Zinc Split L/W          |
| 5     | 93255       | 8   | 5/16"-18 x 1" Zinc SCS               |
| 6     | P1824       | 1   | Decal model SXT7000                  |
| 7     | 73783       | 6   | 5/16"-18 x 1-3/4" Stnlss BSCS        |
| 8     | 70961       | 2   | 5/16"-18 Stnlss Stl Acorn Nut        |
| 9     | A3453       | 1   | NLA: Kit Easy Access SXT7000 Charco  |
| 10    | S5396       | 2   | KIT LINK W/IGUS SXT/REX              |
| 11    | S5978       | 1   | KIT:KIT, SKI POLE, RH, SXT, CHARCOAL |
| 12    | S5977       | 1   | KIT:KIT, SKI POLE, LH, SXT, CHARCOAL |
| 13    | P3297       | 2   | Plug Tubing Plastic 2.5" 8-12 Ga.    |

## Covers SXT Post 9-2014

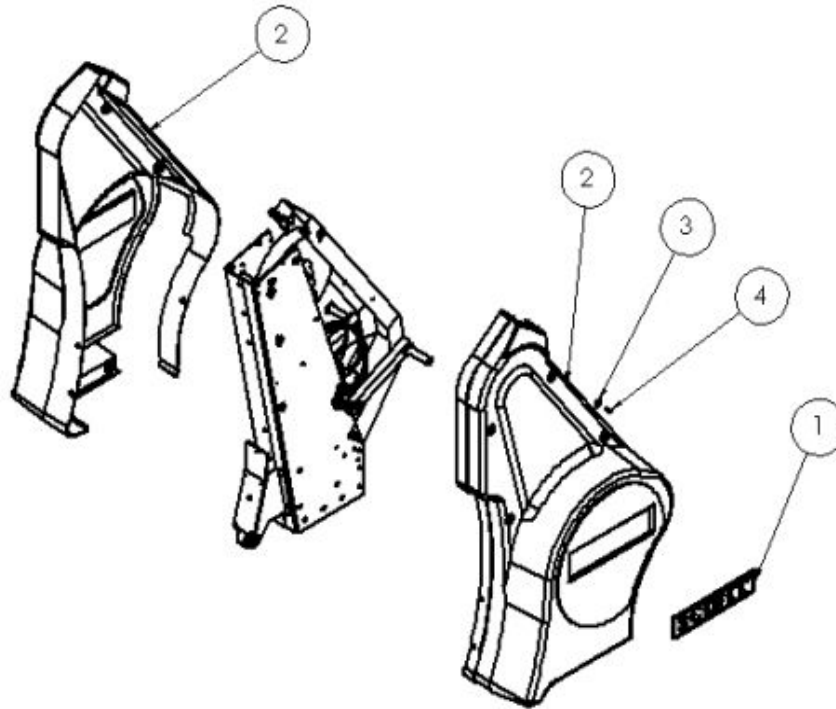
---



| Ref # | Part Number | Qty | Description                                    |
|-------|-------------|-----|--|
| 1     | P1100       | 2   | DECAL SCIFIT 2.75 X 12                         |
| 2     | S6351       | 1   | Kit,R/L CVRs W/Decal,White,SXT                 |
| 3     | P1921       | 8   | Washer cover plastic                           |
| 4     | 11253079    | 8   | #10-32 x .375 Phillips Pan Machine Screw Black |

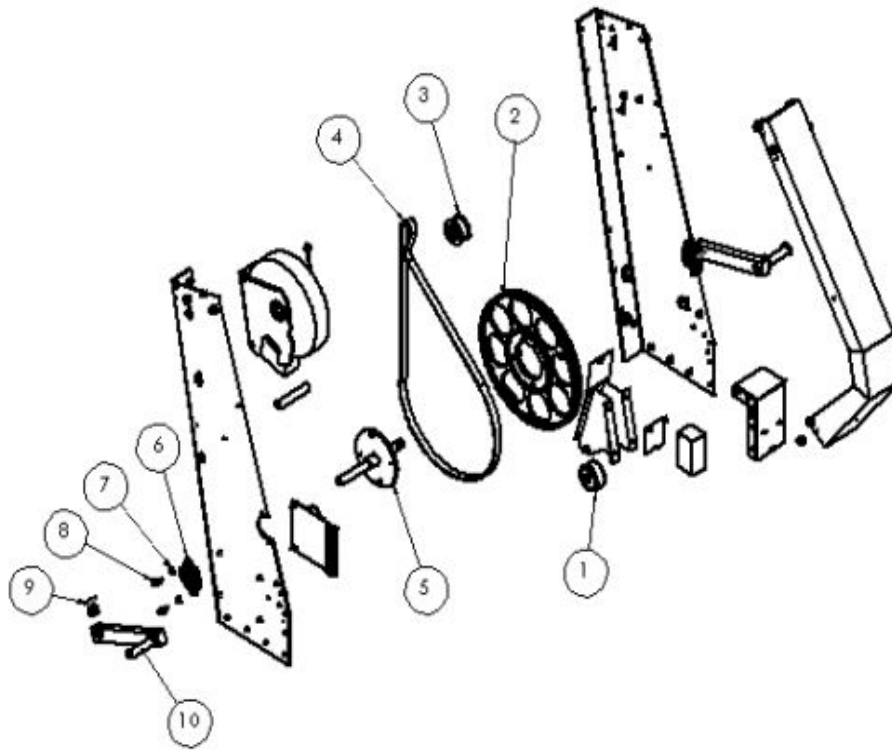
## Covers SXT Pre 9-2014

---



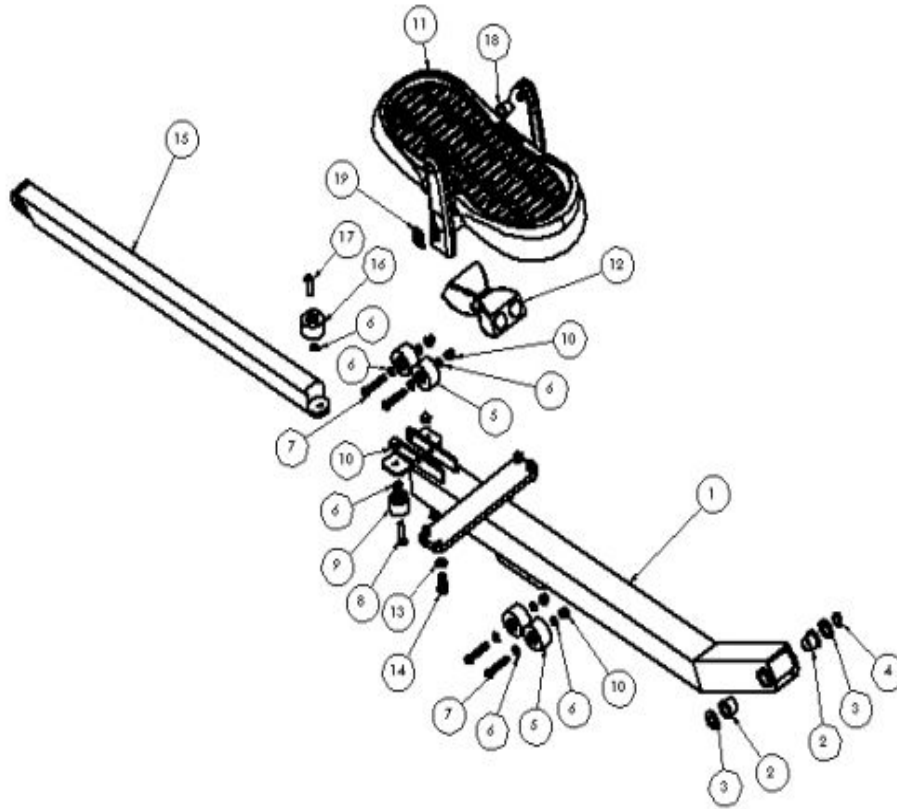
| Ref # | Part Number | Qty | Description                                    |
|-------|-------------|-----|--|
| 1     | P1100       | 2   | DECAL SCIFIT 2.75 X 12                         |
| 2     | S5855       | 1   | Kit Covers SXT RH & LH                         |
| 3     | P1921       | 8   | Washer cover plastic                           |
| 4     | 11253079    | 8   | #10-32 x .375 Phillips Pan Machine Screw Black |

**Drive Assembly SXT**



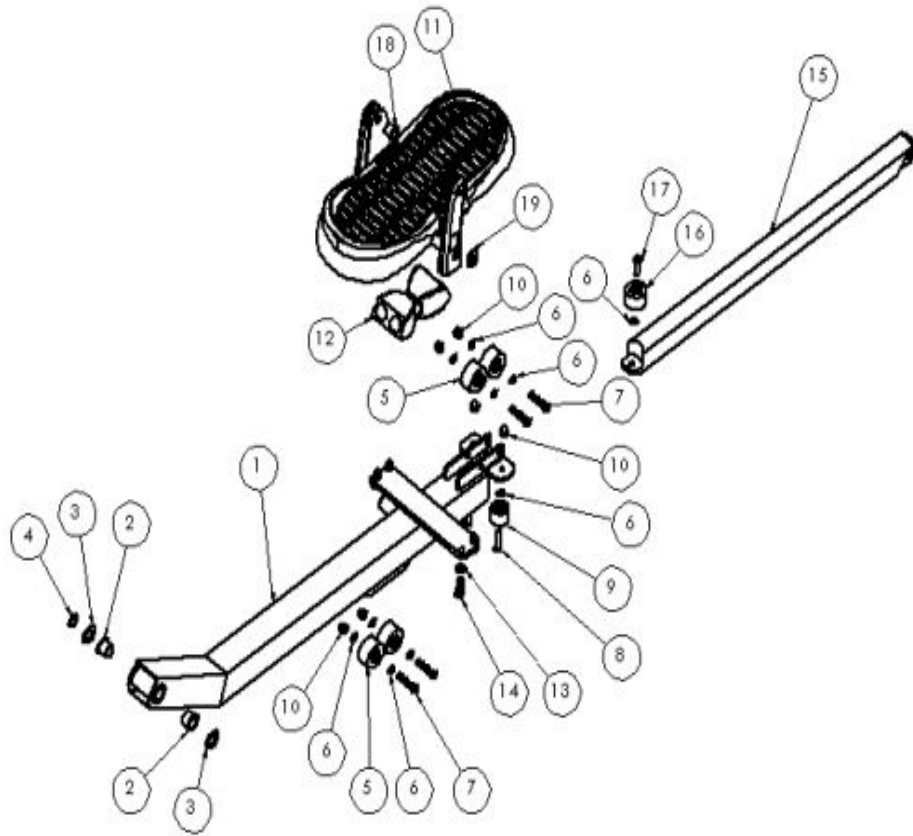
| Ref # | Part Number | Qty | Description                    |
|-------|-------------|-----|--------------------------------|
| 1     | P1063       | 1   | Wheel Front                    |
| 2     | A1545       | 1   | Pulley Drive Brake 13"         |
| 3     | P5173       | 1   | SXT Idler 2.35" Flat Bed Id    |
| 4     | P1550       | 1   | Belt Poly-V 61" 8 Rib 610J     |
| 5     | A1542       | 1   | Assy. Spindle Keyed Cordles    |
| 6     | P1096       | 2   | Bearing Spindle Drive SB204-12 |
| 7     | 33892       | 4   | 5/16" Yellow Zinc Split L/W    |
| 8     | 13052       | 4   | 5/16"-18 x 5/8" Zinc HCS       |
| 9     | 18757       | 4   | 1/4"-28 x 1-1/4" Yllw Zinc HCS |
| 10    | A1172       | 2   | Assy. Crank Machined 205mm     |

**Teleraill Left SXT**



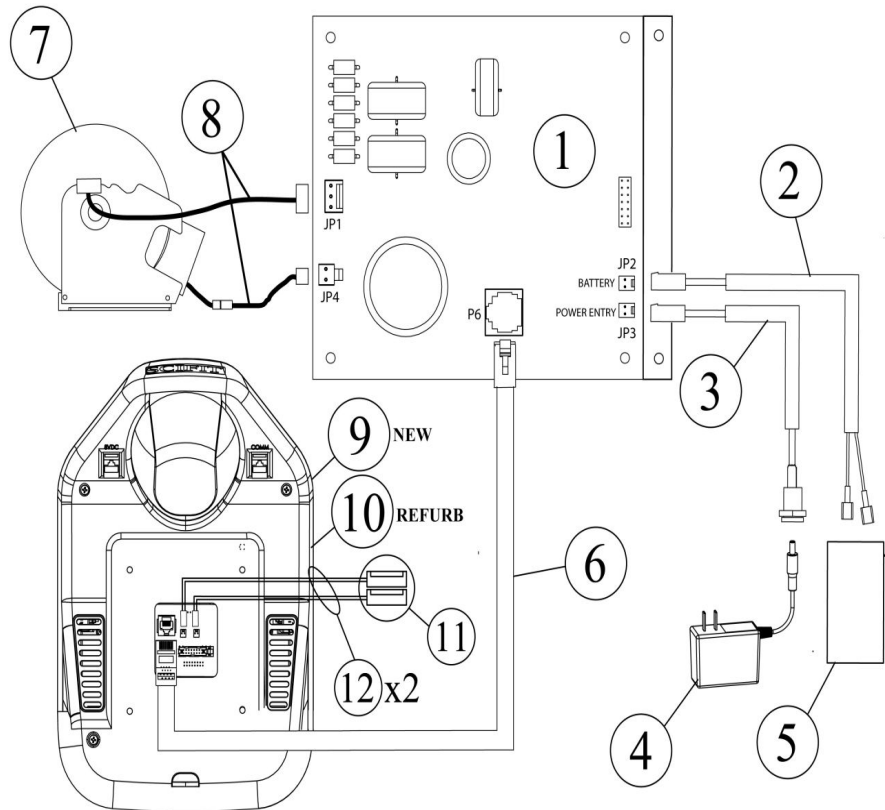
| Ref # | Part Number | Qty | Description                       |
|-------|-------------|-----|-----------------------------------|
| 1     | B3763       | 1   | Rail TeleRail Left Assy.          |
| 2     | P1180       | 2   | Brg Flanged Crank IGUS Ellipt     |
| 3     | P1179       | 2   | Brg. Thrust Rail IGUS             |
| 4     | 68015       | 1   | NLA: SNAP RING .704 ID X .046 THK |
| 5     | S1910       | 4   | Kit Roller TeleRail Vertical      |
| 6     | 10537-02284 | 11  | 5/16 NAS F/W                      |
| 7     | 73783       | 4   | 5/16"-18 x 1-3/4" Stnlss BSCS     |
| 8     | 94073       | 2   | 5/16"-18 x 1-1/2" Zinc BSCS       |
| 9     | A2448       | 2   | Kit Roller TeleRail Lateral       |
| 10    | 70961       | 6   | 5/16"-18 Stnlss Stl Acorn Nut     |
| 11    | A3033       | 1   | Kit Component BioFlex             |
| 12    | S5837       | 1   | KIT BIOFLEX CUSHIONS 1pr FOOTP    |
| 13    | 33893       | 4   | 3/8" Yllw Zinc Split L/W          |
| 14    | 13105       | 4   | 3/8"-16 x 1" Zinc HCS             |
| 15    | A1524       | 1   | Bar Rear TeleRail                 |
| 16    | A2447       | 1   | Kit Roller TeleRail Internal      |
| 17    | 94072       | 1   | 5/16"-18 x 1-1/4" Zinc BSCS       |
| 18    | P1161       | 2   | Brg. Flged IGUS Biopedal El       |
| 19    | P1781       | 2   | Decal Bioflex                     |

**Telerail Right SXT**



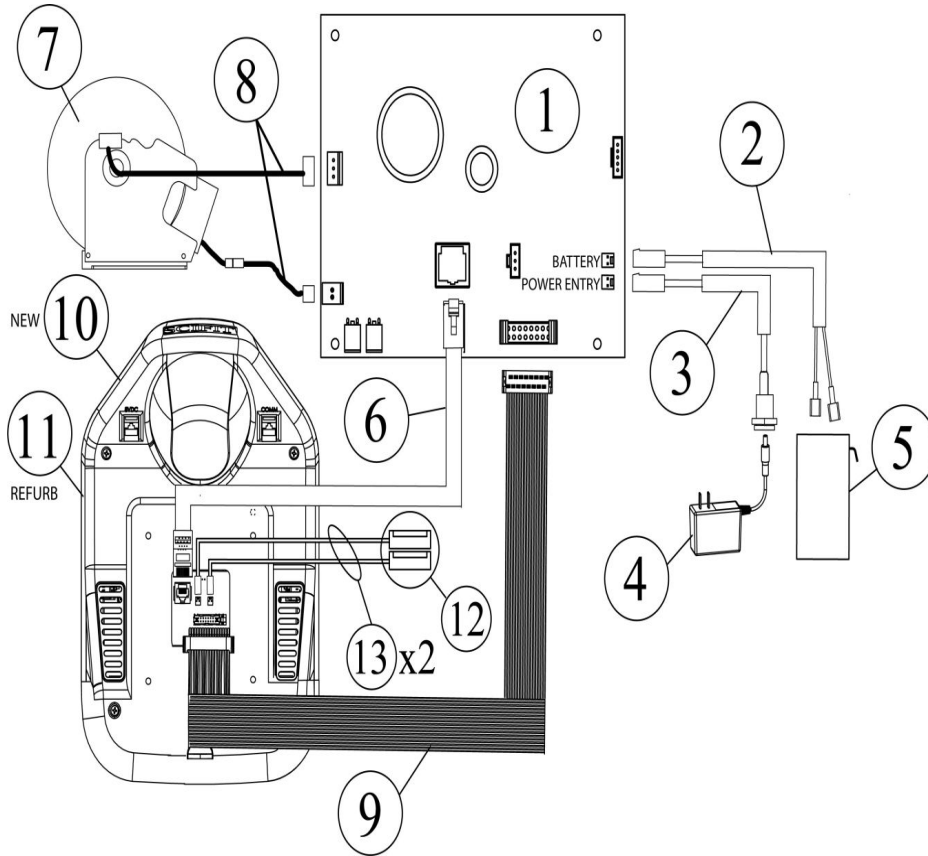
| Ref # | Part Number | Qty | Description                       |
|-------|-------------|-----|-----------------------------------|
| 1     | B3764       | 1   | Rail TeleRail Right Assy.         |
| 2     | P1180       | 2   | Brg Flanged Crank IGUS Ellipt     |
| 3     | P1179       | 2   | Brg. Thrust Rail IGUS             |
| 4     | 68015       | 1   | NLA: SNAP RING .704 ID X .046 THK |
| 5     | S1910       | 4   | Kit Roller TeleRail Vertical      |
| 6     | 10537-02284 | 11  | 5/16 NAS F/W                      |
| 7     | 73783       | 4   | 5/16"-18 x 1-3/4" Stnlss BSCS     |
| 8     | 94073       | 2   | 5/16"-18 x 1-1/2" Zinc BSCS       |
| 9     | A2448       | 2   | Kit Roller TeleRail Lateral       |
| 10    | 70961       | 6   | 5/16"-18 Stnlss Stl Acorn Nut     |
| 11    | A3033       | 1   | Kit Component BioFlex             |
| 12    | S5837       | 1   | KIT BIOFLEX CUSHIONS 1pr FOOTP    |
| 13    | 33893       | 4   | 3/8" Yllw Zinc Split L/W          |
| 14    | 13105       | 4   | 3/8"-16 x 1" Zinc HCS             |
| 15    | A1524       | 1   | Bar Rear TeleRail                 |
| 16    | A2447       | 1   | Kit Roller TeleRail Internal      |
| 17    | 94072       | 1   | 5/16"-18 x 1-1/4" Zinc BSCS       |
| 18    | P1161       | 2   | Brg. Flged IGUS Biopedal El       |
| 19    | P1781       | 2   | Decal Bioflex                     |

**Wiring SXT7000-7000E-INT Post 5-2013**



| Ref # | Part Number | Qty | Description                                  |
|-------|-------------|-----|--|
| 1     | A5361       | 1   | Kit A5005 W/Mounting Bracket                 |
| 2     | P1833       | 1   | Cable Battery Cordless                       |
| 3     | P1832       | 1   | Cable Power Entry 14"                        |
| 4     | P4861       | 1   | SCIFIT POWER SUPPLY AC ADAPTER WALL PACK 18V |
| 5     | P1564       | 1   | Battery Rechargeable Cordless                |
| 6     | P4742       | 1   | Cable Comm 63" Intelli ISO1000R/7000R & SXT  |
| 7     | S1907       | 1   | Kit Brake SXT7000                            |
| 8     | S4454       | 1   | CABLES IND. BRAKE 3 & 2 PIN                  |
| 9     | A6627       | 1   | NC Assy Console Rotary CHR OS                |
| 10    | A6627R      | 1   | NC ASSY, CNSL REFURB, TS, ROTARY CHR         |
| 11    | P2746       | 1   | Grip HR Contact 1.5ID (1pr)                  |
| 12    | P2775       | 2   | Cable CHR HG 2177 51"                        |

**Wiring SXT7000-7000E-INT Pre 5-2013**



| Ref # | Part Number | Qty | Description                                  |
|-------|-------------|-----|--|
| 1     | S6189       | 1   | Kit A5361 W/Tactile Firm PRE 5               |
| 2     | P1833       | 1   | Cable Battery Cordless                       |
| 3     | P1832       | 1   | Cable Power Entry 14"                        |
| 4     | P4861       | 1   | SCIFIT POWER SUPPLY AC ADAPTER WALL PACK 18V |
| 5     | P1564       | 1   | Battery Rechargeable Cordless                |
| 6     | P4742       | 1   | Cable Comm 63" Intelli ISO1000R/7000R & SXT  |
| 7     | S1907       | 1   | Kit Brake SXT7000                            |
| 8     | S4454       | 1   | CABLES IND. BRAKE 3 & 2 PIN                  |
| 9     | A5190       | 1   | Cable Assy Display 79" V2                    |
| 10    | S5197       | 1   | Kit A4605/Strain Relief.Combo                |
| 11    | S5198R      | 1   | Kit A4605R/Strain Relief.Combo               |
| 12    | P2746       | 1   | Grip HR Contact 1.5ID (1pr)                  |
| 13    | P2775       | 2   | Cable CHR HG 2177 51"                        |

