

T3 Treadmill Base

T3-XX00-0201

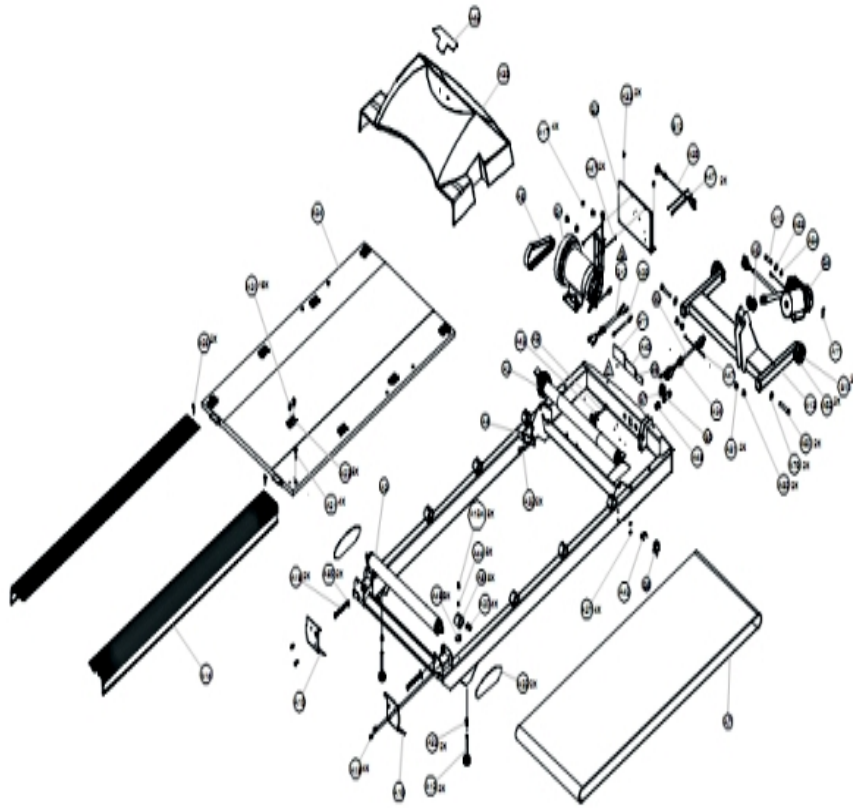
Parts Manual

1/5/2019 17:03:08 PM

Table of Contents

[Component 1.....](#)3

Component 1



Ref #	Part Number	Qty	Description
B1	7934401	1	Assembly, Motor, 3.00HP, 120V
A2	6821601	1	Assembly, Roller Front Crowned
B2	6839601	1	Assembly, Motor Control Unprogram
A3	6822301	1	Roller, Rear Idler
B3	7420601	1	Line Cord
B4	6961101	1	Actuator, 115 Volt
A4	6910201	1	GUARD, DRIVE PULLEY
B5	3209201	1	Circuit Breaker, 15 AMP
A5	6822101	1	Nut, Actuator
A6	3259801	1	Belt, Poly-V, 190 J10
B6	3204701	1	Switch, Home
A7	6833401	1	Belt, Walking 20 X 54
B7	0017-00032-0198	1	On/Off Switch 22A
A8	6821901	8	Spring, TECSPAC Black
B8	6856101	1	LABEL, ETL UL/CSA LISTING
A9	3205401	1	1/4-20 X 2 UNS HEX FHB G5 ZN
A10	3204501	1	Pin, Clevis 3/8 Diameter X 1.5
B10	3205101	2	Pushnut, 1/2 Shaft
A11	3204601	1	Hairpin Cotter 5/16-3/8 Diameter
B11	6913901	1	LABEL, ID VOLT & SERIAL NUMBER
B12	6840001	1	Cable Assembly, Pwr Control
A12	SK50-S0028-0000	2	Rear Deltoid Stop Kit; Strength

Ref #	Part Number	Qty	Description
A13	6870601	1	Assembly, Lift Frame
A14	7095501	2	Extrusion 20 X 54" Belt
A15	6833606	1	Cap, End Left 20" Black Platinum
A16	6833506	1	Cap, End Right 20" Black Platinum
A17	3205801	4	Nut, 5/16-18 HEX Serr Flange
A18A	3234805	8	12-24 X 12 PHI PAN TT ST BZ
A18	3206601	4	10 X 12 TRX Pan 25 ST BZ
A19	3206001	2	5/16-18X3-1/4 HXZ SOC CS ST BZ
A20	0017-00103-0198	4	Hardware: Tinnerman Clip 1/4" ID
A21	0017-00101-1775	4	Hardware: Deck Screws 1.25"
A22	3102701	2	Hardware: Nut, 3/8-16 HEX
A23	7074401	8	Bracket, Extrusion Mounting
A24	3206901	1	Bushing, Strain Relief
A25	AK59-00084-0000	1	Cable-Assembly: Home Switch C
A27	3208201	4	PLUG, .31 DIA HOLE
A28	3222201	2	8 X 20 PHL Wafer SMS AB ST BZ
A29	6856701	1	Cable Assembly, Circuit Breaker
A31	3208701	16	11 X 12 Slate HXW AB ST ZN
A32	3208601	4	10-32 X 6 PHI PAN S TT ST ZN
A33	7158601	2	LABEL, TREAD SIDERAIL, LH
A34	6822501	1	Deck, 27.5 X 50 Walking Surface
A35	7963201	1	Assembly, Motor Shroud
A42	6872701	1	Clip, Switch Retaining
A43	3102506	1	Hardware: Flat Washer 1/4" ID
A44	3114412	8	Washer, Flat #10 USS ST BZ
A45	6988701	1	LABEL, PATENT
A46	7167701	8	Washer, 228 X1.25 X 12 Thick ST BZ
A47	3221201	5	Cable Tie, 3/32 X 6
A48	3220001	1	Clip, Circuit Breaker
A49	7170101	1	NLA / DISCONT; LABEL, T3 MOTOR COVER
A52	6822001	1	Wheel, 2-1/2 OD X 1/2 ID
A79	3227202	2	Washer, .377 X .875 X .062 FLT NY
A80	3102903	2	3/8-16 X 2-1/2 UNS HEX FHB G2 ZN
A81	3102802	2	Hardware: Nut 3/8" ID
A82	3221901	2	Spacer, Nylon 3/8 ID X5/8 OD X1/2
A83	3102514	1	Hardware: Flat Washer 3/8" ID
A84	3227501	1	Spring, .60 Diameter X .045 X .50
A85	3114409	10	Washer, Flat 5/16 AN ST BZ

