

T30 Treadmill - English/Metric 230/50 CONT

T30-0101-01

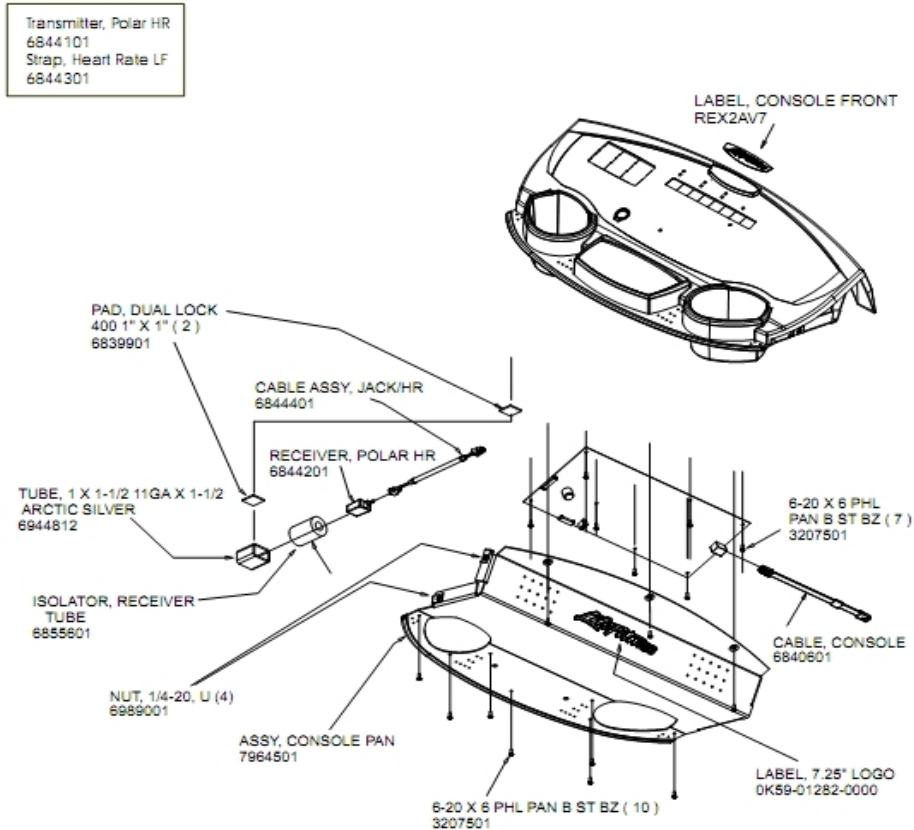
Parts Manual

1/5/2019 17:03:09 PM

Table of Contents

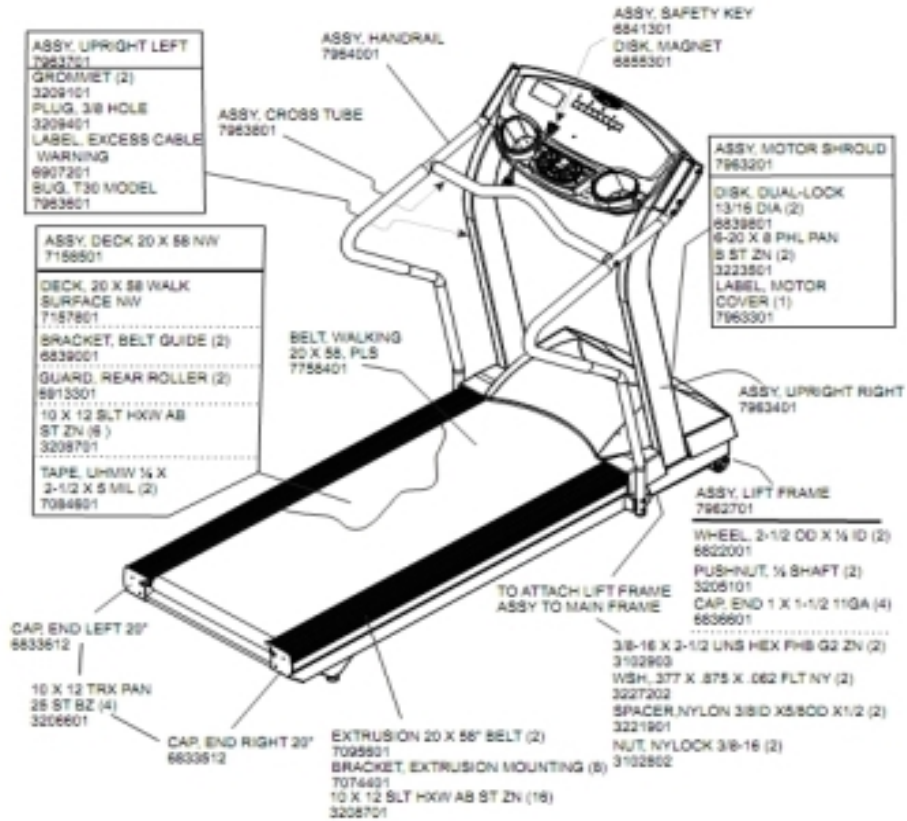
[Component 1](#).....3
[Component 2](#).....4
[Component 3](#).....6
[Component 4](#).....7
[Console Assembly](#).....8
[Miscellaneous](#).....9

Component 1



Ref #	Part Number	Qty	Description
-	REX2AV7	1	
-	6839901	2	Pad, Dual Lock 400 1" X 1"
-	6855601	1	Isolator, Receiver Tube
-	6944812	1	Tube, 1 X 1-1/2 11 GA X 1-1/2 Arctic Silver
-	6844401	1	Cable Assembly, Jack/HR
-	6844201	1	Receiver, Polar HR
-	8254701	1	Transmitter, Polar HR
-	6989001	4	Nut, 1/4-20, U
-	3207501	17	6-20 X 6 PHI PAN B ST BZ
-	118E-00001-0261	1	Electrical:Polar Plug-In Coded Receiver
-	6844301	1	Strap, Heart Rate Life Fitness
-	6840601	1	Cable, Console
-	0K59-01282-0000	1	Decal: Label, 7.25" Logo
-	7964501	1	Assembly, Console Pan

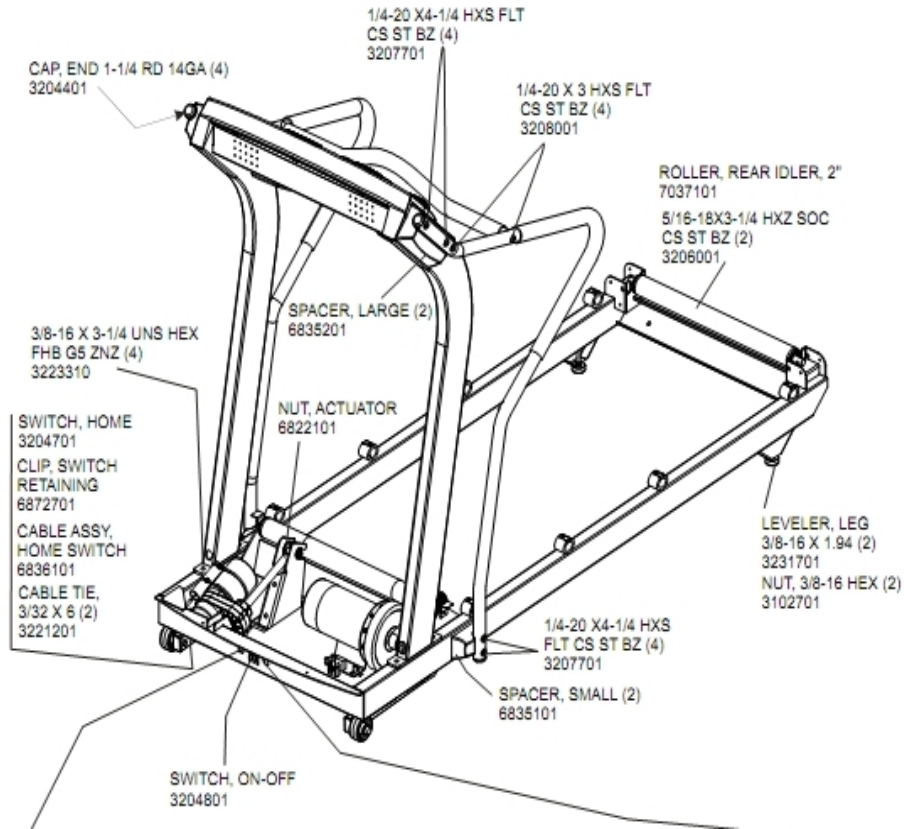
Component 2



Ref #	Part Number	Qty	Description
-	7963701	1	Assembly, Upright Left
-	3102802	2	Hardware: Nut 3/8" ID
-	0K60-01092-0000	4	Tube End Cap
-	7157801	2	Deck, 20 X 58 Walk Surface NW
-	7095601	2	Extrusion 20 X 58 IN Belt
-	3209401	1	Plug, 3/8 Hole
-	7963601	1	Bug, T30 Model
-	3206601	4	10 X 12 TRX Pan 25 ST BZ
-	7963401	1	Assembly, Upright Right
-	7963201	1	Assembly, Motor Shroud
-	3208701	22	11 X 12 Slate HXW AB ST ZN
-	3209101	2	Grommet
-	6833612	1	Cap, End Left 20", Arctic Silver
-	6841301	1	Assembly, Safety Key
-	6907201	1	LABEL, EXCESS CABLE WARNING
-	7758401	1	Belt, Walking 20 X 58, PLS
-	7964001	1	Assembly, Handrail
-	6822001	2	Wheel, 2-1/2 OD X 1/2 ID
-	7963801	1	Assembly, Cross Tube
-	3221901	2	Spacer, Nylon 3/8 ID X5/8 OD X1/2
-	6855301	1	Disk, Magnet
-	6913301	2	Guard, Rear Roller

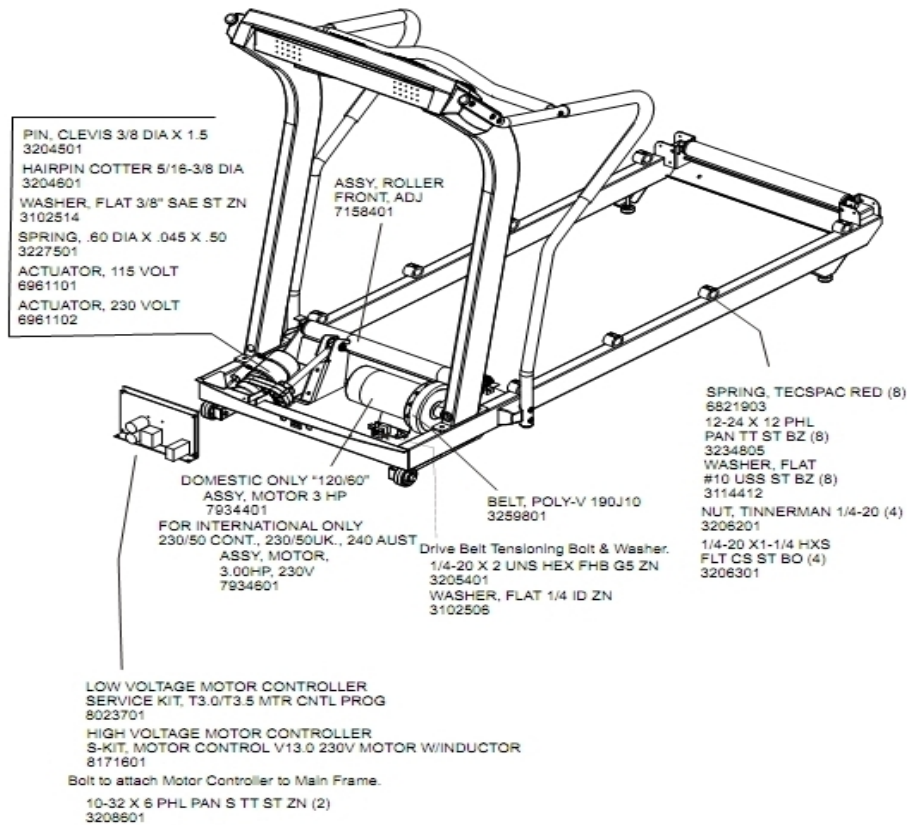
Ref #	Part Number	Qty	Description
-	3205101	2	Pushnut, 1/2 Shaft
-	3102903	2	3/8-16 X 2-1/2 UNS HEX FHB G2 ZN
-	7963301	1	Label, Motor Cover
-	7962701	1	Assembly, Lift Frame
-	7084601	2	Tape, UHMW 1/2 X 2-1/2 X 5 MIL
-	7074401	8	Bracket, Extrusion Mounting
-	6839801	2	DISK, DUAL-LOCK 13/16 DIA
-	6839001	2	Bracket, Belt Guide
-	3227202	2	Washer, .377 X .875 X .062 FLT NY
-	6833512	1	Cap, End Right 20", Arctic Silver
-	3223501	2	Hardware: Holder Mounting Screw

Component 3



Ref #	Part Number	Qty	Description
-	3206901	1	Bushing, Strain Relief
-	3221201	3	Cable Tie, 3/32 X 6
-	3102701	2	Hardware: Nut, 3/8-16 HEX
-	3204401	4	Cap, End 1-1/4 RD 14GA
-	3206001	2	5/16-18X3-1/4 HXZ SOC CS ST BZ
-	3208001	4	1/4-20 X 3 HXS FLT CS ST BZ
-	6835101	2	Spacer, Small
-	3223310	4	3/8-16 X 3-1/4 UNS HEX FHB G5 ZN
-	6822101	1	Nut, Actuator
-	6856001	1	LABEL, LINECORD VOLT FRN/ENG
-	7420801	1	Line Cord, CONT
-	AK59-00119-0000	2	Assembly, Leg Leveler
-	6872701	1	Clip, Switch Retaining
-	0017-00032-0198	1	On/Off Switch 22A
-	3207701	8	1/4-20 X4-1/4 HXS FLT CS ST BZ
-	6835201	2	Spacer, Large
-	6856701	1	Cable Assembly, Circuit Breaker
-	AK59-00084-0000	1	Cable-Assembly: Home Switch C
-	7037101	1	Roller, Rear Idler, 2 IN
-	3204701	1	Switch, Home
-	3209202	1	Circuit Breaker 8 AMP
-	3220001	1	Clip, Circuit Breaker

Component 4



Ref #	Part Number	Qty	Description
-	0017-00101-1775	4	Hardware: Deck Screws 1.25"
-	3208601	2	10-32 X 6 PHI PAN S TT ST ZN
-	8171601	1	S-Kit, Motor Control V13.0 230V Motor with Inductor
-	7158401	1	Assembly, Roller Front, Adj
-	6961101	1	Actuator, 115 Volt
-	3204601	1	Hairpin Cotter 5/16-3/8 Diameter
-	3204501	1	Pin, Clevis 3/8 Diameter X 1.5
-	3259801	1	Belt, Poly-V, 190 J10
-	3227501	1	Spring, .60 Diameter X .045 X .50
-	3205401	1	1/4-20 X 2 UNS HEX FHB G5 ZN
-	6821903	8	Spring, Tecspac Red
-	3234805	8	12-24 X 12 PHI PAN TT ST BZ
-	3114412	8	Washer, Flat #10 USS ST BZ
-	3102506	1	Hardware: Flat Washer 1/4" ID
-	0017-00103-0198	4	Hardware: Tinnerman Clip 1/4" ID
-	7934601	1	Assembly, Motor, 3.00HP, 230V
-	3102514	1	Hardware: Flat Washer 3/8" ID

Console Assembly



Ref #	Part Number	Qty	Description
-	8023901	1	Service Kit, T3.0 Bezel Assembly English & Metric
-	8002701	1	Assembly, Console English-Metric T30

Miscellaneous

Ref #	Part Number	Qty	Description
-	6856701	1	Cable Assembly, Circuit Breaker
-	7913801	1	CARD, PRODUCT REGISTRATION
-	0K59-01282-0000	1	Decal: Label, 7.25" Logo
-	AK59-00084-0000	1	Cable-Assembly: Home Switch C
-	7953101	1	Cable Assembly, Opto Sensor
-	6840601	1	Cable, Console
-	6841301	1	Assembly, Safety Key
-	6907201	1	LABEL, EXCESS CABLE WARNING
-	6960201	1	Cable Assembly, Line Filter
-	7225801	1	UNPACKING INST, TREADMILLS
-	0017-00003-0898	1	10 amp Line Filter (INT)
-	3208101	1	Wrench, 1/4 HEX Long Arm
-	6840001	1	Cable Assembly, Pwr Control
-	6835201	2	Spacer, Large
-	3207701	8	1/4-20 X4-1/4 HXS FLT CS ST BZ
-	6960301	1	Cable Assembly, Filter To Printed Circuit Board
-	7248501	1	NLA: LABEL, TUV
-	REX2AV7	1	
-	0K59-01330-0000	1	LABEL, CE
-	6960701	1	LABEL, GROUND
-	6856001	1	LABEL, LINECORD VOLT FRN/ENG
-	6844401	1	Cable Assembly, Jack/HR

Ref #	Part Number	Qty	Description
-	3223310	4	3/8-16 X 3-1/4 UNS HEX FHB G5 ZN
-	3221101	1	Wrench, 5/32 HEX Long Arm
-	3105622	1	BAG, POLY 10 X 14 2 MIL
-	6835101	2	Spacer, Small
-	3208001	4	1/4-20 X 3 HXS FLT CS ST BZ
-	3207501	2	6-20 X 6 PHI PAN B ST BZ
-	7963301	1	Label, Motor Cover
-	0K59-01328-0000	1	Decal: Label, Patent
-	0K59-01278-0000	1	Decal: Label, Flex Deck
-	3230001	1	OPTO, Sensor
-	6980301	1	Label, Break-In Instruction

