

T5 Treadmill Base

T5-XX00-0201

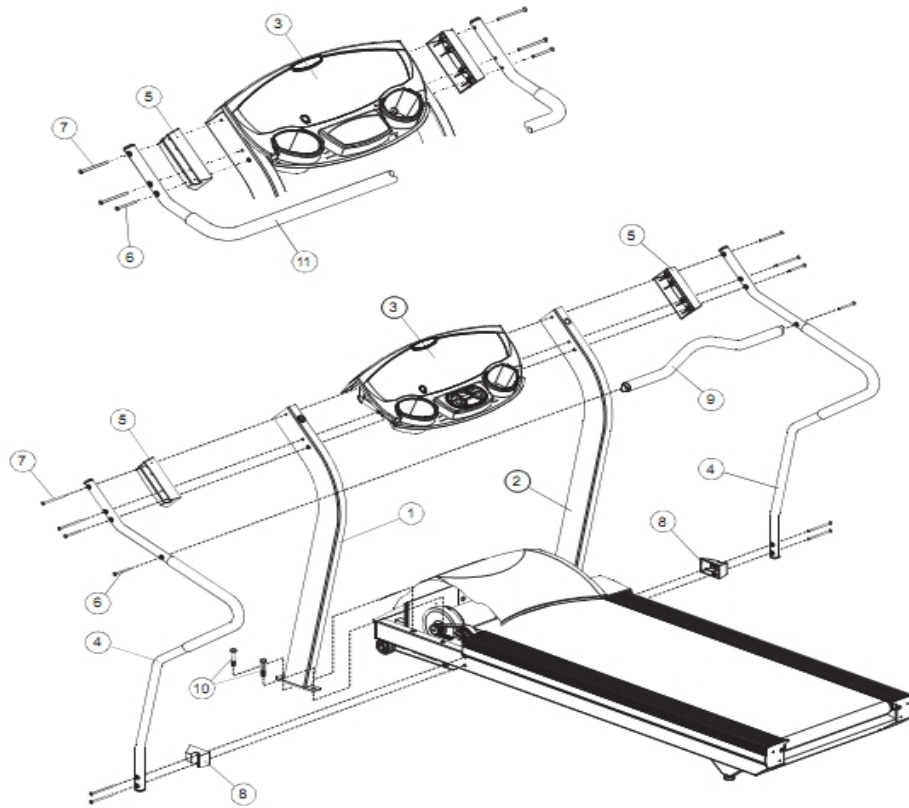
Parts Manual

4/23/2020 4:08:58 AM

Table of Contents

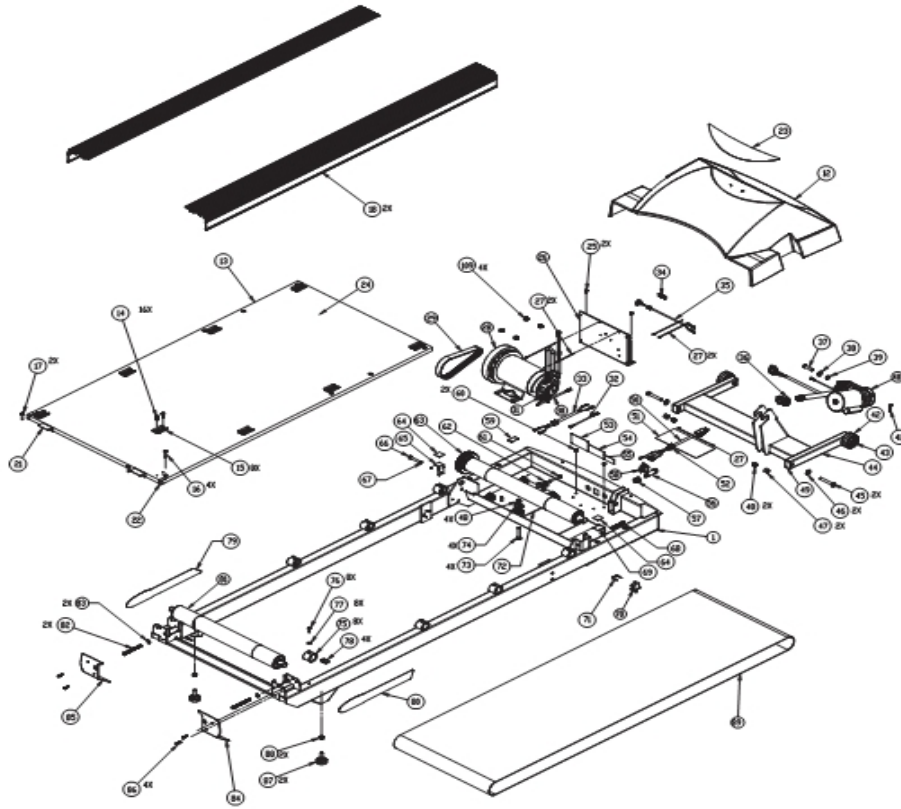
[Component Assembly 1](#).....3
[Component Assembly 2](#).....4

Component Assembly 1



Ref #	Part Number	Qty	Description
1	6860001	1	Assembly, Upright Left
2	6860401	1	Assembly, Upright Right
3	7150701R	1	T Series Standard Console-S Kit
3	7152001R	1	R&R ONLY; T SERIES INTER CONSOLE-S KIT
4	6843201	1	Assembly, Handrail
5	6835201	1	Spacer, Large
6	3208001	1	1/4-20 X 3 HXS FLT CS ST BZ
7	3207701	1	1/4-20 X4-1/4 HXS FLT CS ST BZ
8	6835101	1	Spacer, Small
9	6843501	1	Assembly, Cross Tube
10	3223310	1	3/8-16 X 3-1/4 UNS HEX FHB G5 ZN

Component Assembly 2



Ref #	Part Number	Qty	Description
12	7963201	1	Assembly, Motor Shroud
13,24	7157801	2	Deck, 20 X 58 Walk Surface NW
14	3208701	1	11 X 12 Slate HXW AB ST ZN
15	7074401	1	Bracket, Extrusion Mounting
16	0017-00101-1775	1	Hardware: Deck Screws 1.25"
17	3222201	1	8 X 20 PHL Wafer SMS AB ST BZ
18	7095601	1	Extrusion 20 X 58 IN Belt
19	6839001	1	Bracket, Belt Guide
21	6913301	1	Guard, Rear Roller
22	7084601	1	Tape, UHMW 1/2 X 2-1/2 X 5 MIL
23	7158701	1	Label, T5 Motor Cover
25	3208601	1	10-32 X 6 PHI PAN S TT ST ZN
26	7153101R	1	"R & R" Only Assembly:Motor Control; 120V; T5
27	3221201	1	Cable Tie, 3/32 X 6
28	7934401	1	Assembly, Motor, 3.00HP, 120V
29	3259801	1	Belt, Poly-V, 190 J10
30,31	7953101	2	Cable Assembly, Opto Sensor
32	6856701	1	Cable Assembly, Circuit Breaker
33	6840001	1	Cable Assembly, Pwr Control
34	6938201	1	Microprocessor, Programmable. T3/T5
35	AK59-00084-0000	1	Cable-Assembly: Home Switch C
36	6822101	1	Nut, Actuator

Ref #	Part Number	Qty	Description
37	3204501	1	Pin, Clevis 3/8 Diameter X 1.5
38	3102514	1	Hardware: Flat Washer 3/8" ID
39	3227501	1	Spring, .60 Diameter X .045 X .50
40	6961101	1	Actuator, 115 Volt
41	3204601	1	Hairpin Cotter 5/16-3/8 Diameter
42	6822001	1	Wheel, 2-1/2 OD X 1/2 ID
43	3205101	1	Pushnut, 1/2 Shaft
44	6870601	1	Assembly, Lift Frame
45	3102903	1	3/8-16 X 2-1/2 UNS HEX FHB G2 ZN
46	3227202	1	Washer, .377 X .875 X .062 FLT NY
47	3221901	1	Spacer, Nylon 3/8 ID X5/8 OD X1/2
48	3102802	1	Hardware: Nut 3/8" ID
49	0K60-01092-0000	1	Tube End Cap
50	7420601	1	Line Cord
51	6856001	1	LABEL, LINECORD VOLT FRN/ENG
52	3206901	1	Bushing, Strain Relief
53	6913901	1	LABEL, ID VOLT & SERIAL NUMBER
54	6988701	1	LABEL, PATENT
55	6856101	1	LABEL, ETL UL/CSA LISTING
56	3209201	1	Circuit Breaker, 15 AMP
57	3220001	1	Clip, Circuit Breaker
58	0017-00032-0198	1	On/Off Switch 22A
59	6907201	1	LABEL, EXCESS CABLE WARNING
60	3209301	1	10 X 6 UNS HW L B ST GR
61	3205401	1	1/4-20 X 2 UNS HEX FHB G5 ZN
62	3102506	1	Hardware: Flat Washer 1/4" ID
63	7158401	1	Assembly, Roller Front, Adj
64,98	6839901	2	Pad, Dual Lock 400 1" X 1"
65	7093001	1	BRACKET, MOTOR COVER
66	3223903	1	5/16-18 UNS HEX FHB G5 ZN X.75
67	3114505	1	Washer, Lock 5/16 ID BZ
68	3206002	1	5/16-18X2-1/8 HXS SOC CS ST BZ
69	7023501	1	BRACKET, MOTOR COVER
70	3204701	1	Switch, Home
71	6872701	1	Clip, Switch Retaining
72	7159201	1	Assembly, Isolation Mount
73	3102933	1	3/8-16X2 UNS HEX FHB G2 ZN
74	3226501	1	WASHER,3/8" WIDE TYPE B PLAIN
75	6821903	1	Spring, Tecspac Red
76,86	3234805	2	12-24 X 12 PHI PAN TT ST BZ
77	3114407	1	Hardware: Flat Washer
78	0017-00103-0198	1	Hardware: Tinnerman Clip 1/4" ID
79	7158601	1	LABEL, TREAD SIDERAIL, LH
80	7191501	1	LABEL, TREAD SIDERAIL, RH
81	7037101	1	Roller, Rear Idler, 2 IN
82	3206001	1	5/16-18X3-1/4 HXZ SOC CS ST BZ
83	3114409	1	Washer, Flat 5/16 AN ST BZ
84	6833506	1	Cap, End Right 20" Black Platinum
85	6833606	1	Cap, End Left 20" Black Platinum
87	AK59-00119-0000	1	Assembly, Leg Leveler
88	3102701	1	Hardware: Nut, 3/8-16 HEX
89	7758401	1	Belt, Walking 20 X 58, PLS
91	6870501	1	Spacer, Membrane
92	6855301	1	Disk, Magnet
93	6842801	1	Membrane Switch, Inter Elect
94	7226301	1	LABEL, CONSOLE FRONT
95	6844801	1	Console, Plastic Interactive

Ref #	Part Number	Qty	Description
96	6840901	1	Button Module
97	6844001	1	Membrane Switch, Button Module
99	6938301	1	Eprom, Programmable. T3.0 English
100	7073801	1	Printed Circuit Board-Unprogrammable Console (16 D
101	3207501	1	6-20 X 6 PHI PAN B ST BZ
102	6840601	1	Cable, Console
103	6862601	1	Label, Console Back
104	6840301	1	Assembly, Console Pan
105	6944802	1	Tube, 1 X 1-1/2 11 GA X 1-1/2 Black
106	6855601	1	Isolator, Receiver Tube
107	118E-00001-0261	1	Electrical:Polar Plug-In Coded Receiver
107	6844201	1	Receiver, Polar HR
108	6844401	1	Cable Assembly, Jack/HR
109	3205801	1	Nut, 5/16-18 HEX Serr Flange
-	3221101	1	Wrench, 5/32 HEX Long Arm
-	6841801	1	INSTRUCTION, INSTALL
-	6841301	1	Assembly, Safety Key
-	6844301	1	Strap, Heart Rate Life Fitness
-	6904301	1	Hardware Assembly, Bag 2/2 T30
-	8254701	1	Transmitter, Polar HR
-	7248201	1	NLA: OPERATNL MANUAL INTER T3I/T5I
-	6841901	1	CARD, WARRANTY
-	6843601	1	Hardware Assembly, Bag 1/2 T30
-	3208101	1	Wrench, 1/4 HEX Long Arm
-	7143901	1	SERVICE MANUAL, T7I

