

T50 Treadmill

T50-0000-01

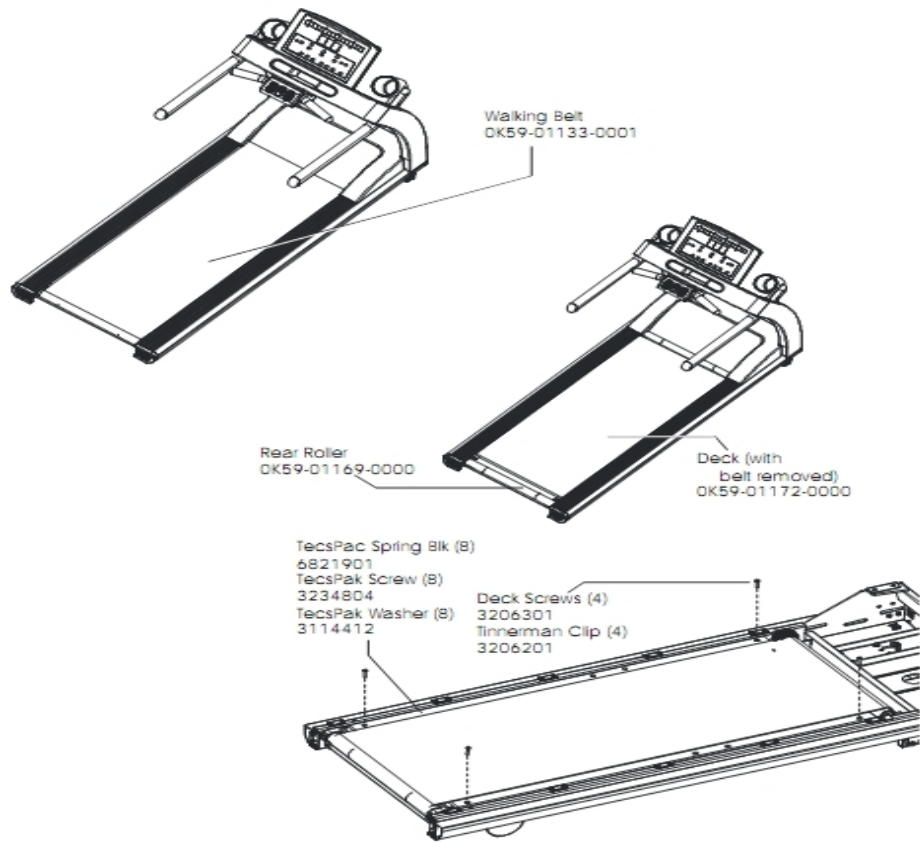
Parts Manual

1/5/2019 17:07:27 PM

Table of Contents

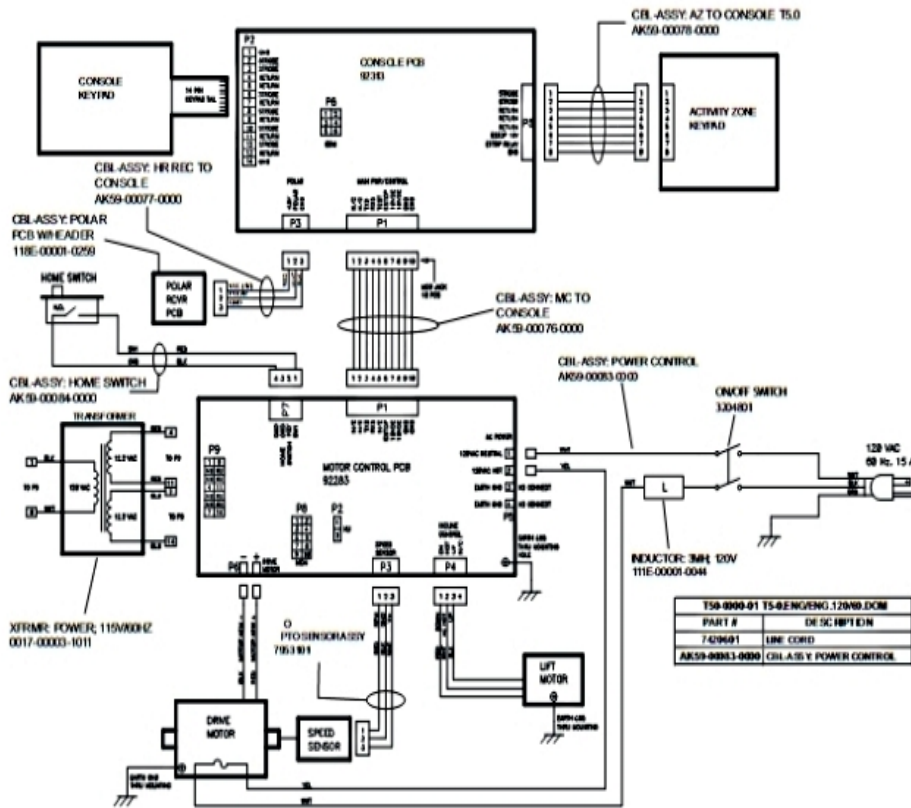
Belt, Deck and Rear Rollers.....	3
Block Diagram Low Voltage.....	4
Console and Related Components.....	5
Drive Motor Assembly.....	6
Ergo Bar Assembly.....	7
Extrusions and Rear End Caps.....	8
Front Roller Assembly.....	9
Lift Frame and Lift Motor.....	10
Miscellaneous.....	11
Motor Controller Assembly.....	12
Motor Cover, Front End Cap and Leg Levelers.....	13
Uprights, Handrails and Cup Holders.....	14

Belt, Deck and Rear Rollers



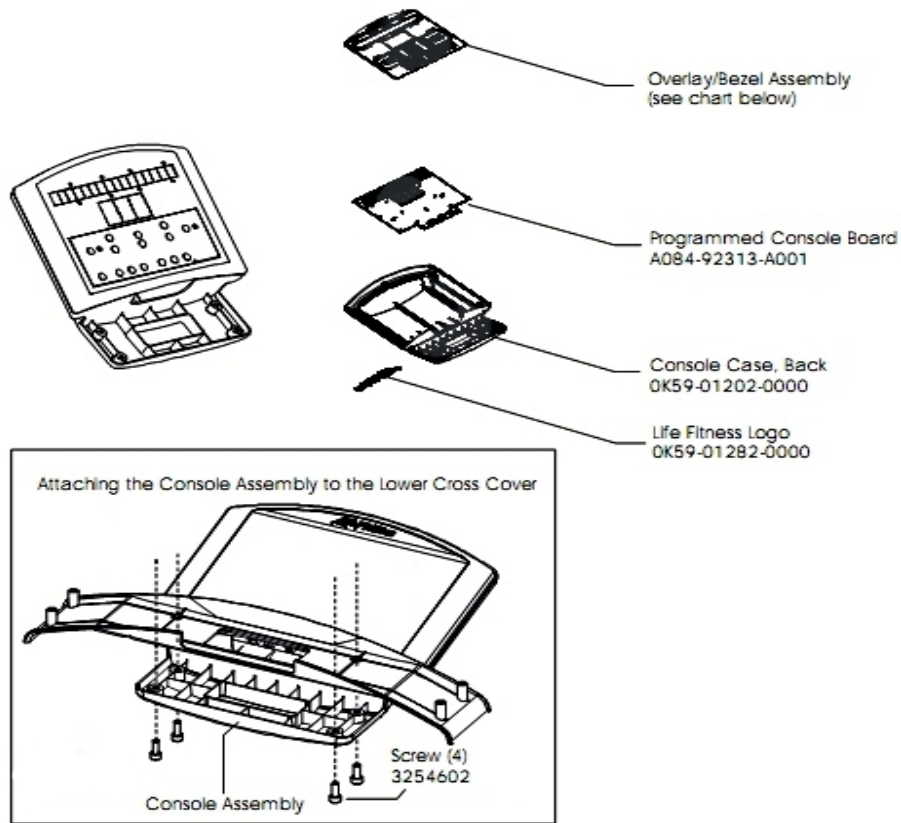
Ref #	Part Number	Qty	Description
-	OK59-01133-0001	1	Belt, Walking, 22 X 60, Plate, 2 Inch
-	3114412	8	Washer, Flat #10 USS ST BZ
-	0017-00103-0198	4	Hardware: Tinnerman Clip 1/4" ID
-	6821901	8	Spring, TECSPAC Black
-	3234804	8	12-24 X 10 PHI PAN TT ST BZ
-	OK59-01169-0000	1	Roller, Rear Idler, 2 IN
-	OK59-01172-0000	1	Deck, 20 X 60 Walking Surface
-	0017-00101-1775	4	Hardware: Deck Screws 1.25"

Block Diagram Low Voltage



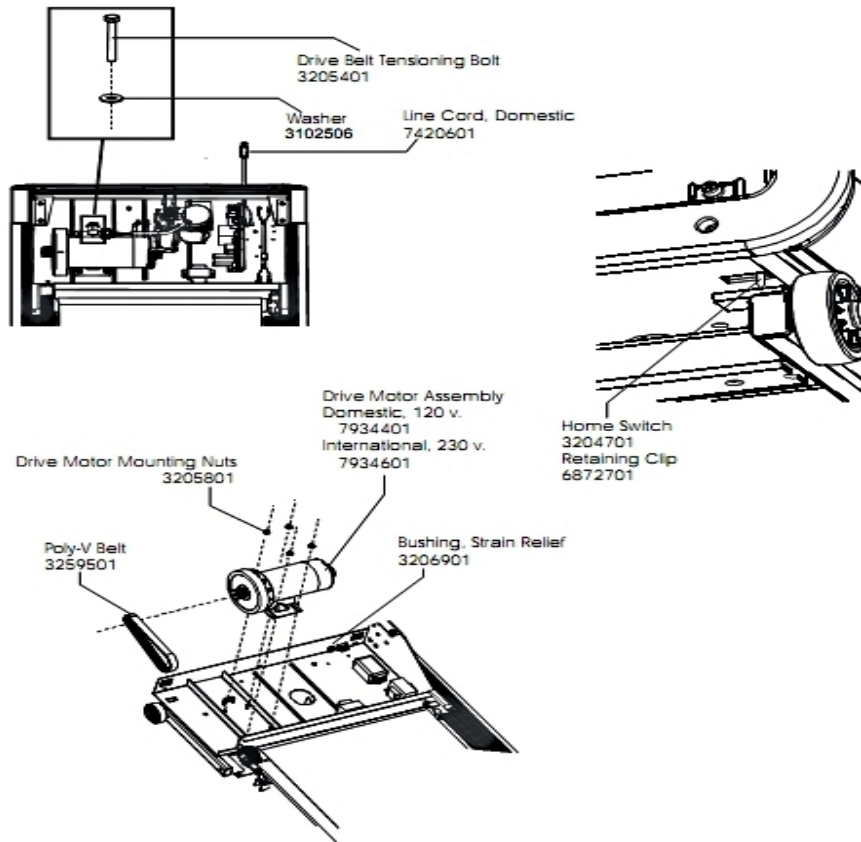
Ref #	Part Number	Qty	Description
-	7420601	1	Line Cord
-	0017-00003-1011	1	Transformer: Power; 115V/60HZ (Ramsey) N/D
-	AK59-00076-0000	1	Cable-Assembly: MC To Console C
-	AK59-00078-0000	1	Cable-Assembly: AZ To Console T5.0 C
-	0017-00032-0198	1	On/Off Switch 22A
-	AK59-00083-0000	2	Cable-Assembly: Power Control C
-	AK59-00077-0000	1	Cable-Assembly: HR Rec To Console C
-	111E-00001-0044	1	E-Cable: Inductor: 3MH; 120V C
-	118E-00001-0259	1	Wireless Receiver Module, Non-Coded
-	AK59-00084-0000	1	Cable-Assembly: Home Switch C
-	7953101	1	Cable Assembly, Opto Sensor

Console and Related Components



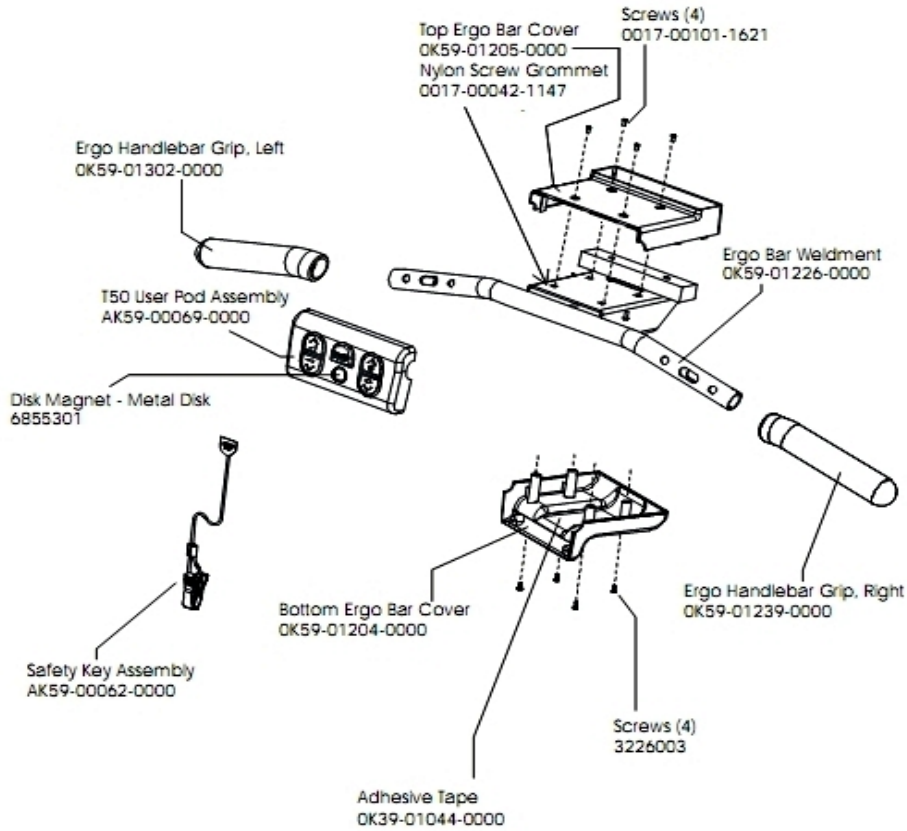
Ref #	Part Number	Qty	Description
-	AK59-00114-0000	1	Bezel: Service Kit, T5.0 Bezel Assembly English/Me
-	0K59-01202-0000	1	Case; Console; Back
-	B084-92313-C000	1	Printed Circuit Board-Assembly: "Ramsey" UnProgram
-	0K59-01282-0000	1	Decal: Label, 7.25" Logo
-	3254602	4	M10 X 1.5-6G6GX025 DIN HXS SOC CS ST BZ
-	AK59-00061-0000R	1	Assembly, Console, T5 English-English

Drive Motor Assembly



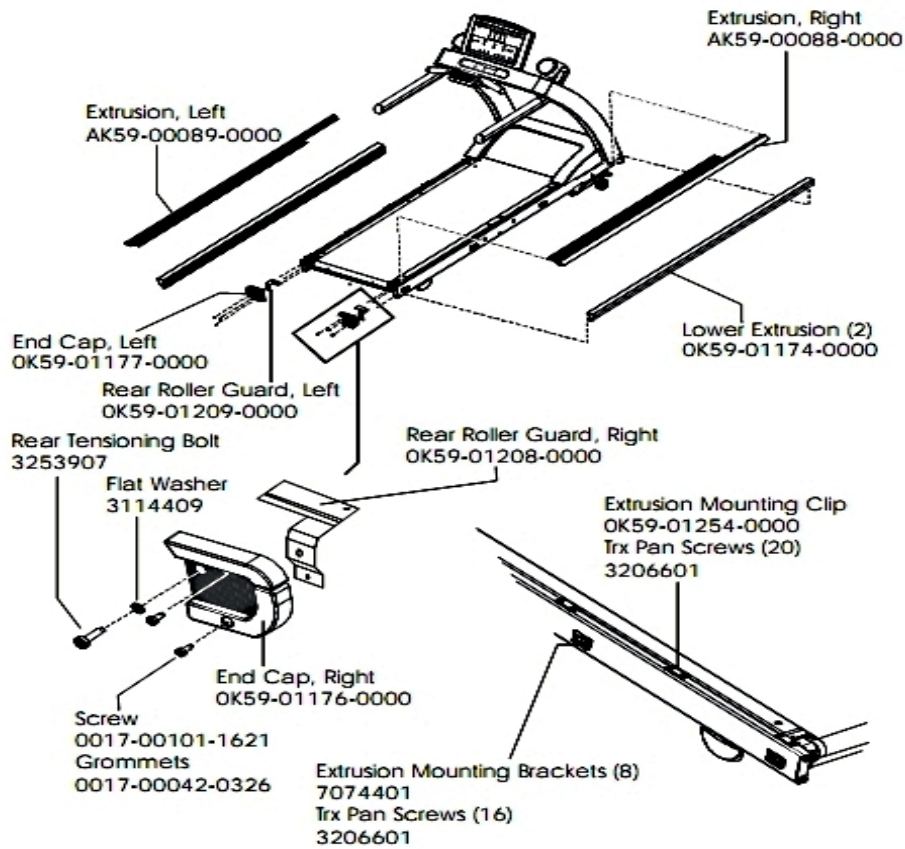
Ref #	Part Number	Qty	Description
-	3206901	1	Bushing, Strain Relief
-	3102506	1	Hardware: Flat Washer 1/4" ID
-	7420601	1	Line Cord
-	7934401	1	Assembly, Motor, 3.00HP, 120V
-	6872701	1	Clip, Switch Retaining
-	3205401	1	1/4-20 X 2 UNS HEX FHB G5 ZN
-	3259501	1	Belt, Poly-V 230 J10
-	3205801	4	Nut, 5/16-18 HEX Serr Flange
-	3204701	1	Switch, Home

Ergo Bar Assembly



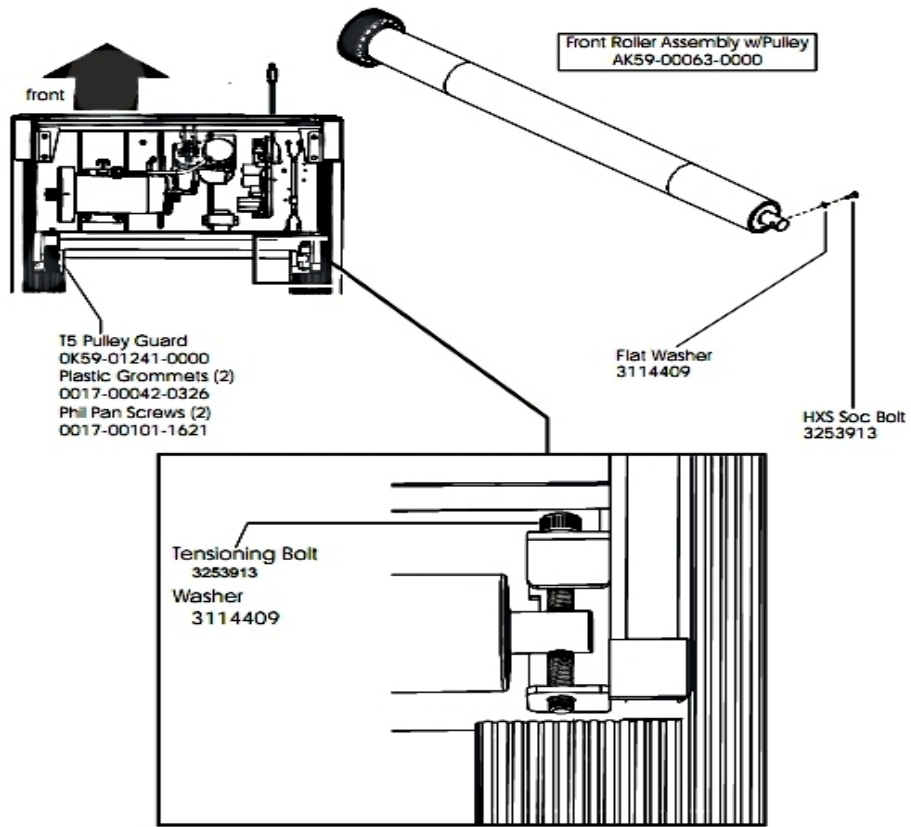
Ref #	Part Number	Qty	Description
-	3226003	4	6-20 X 8 PHI PAN PLT ST BZ
-	6855301	1	Disk, Magnet
-	OK59-01302-0000	1	Grip, Handle Bar, T5 Ergo Left
-	OK59-01205-0000	1	Cover: Ergo-Bar; Top
-	0017-00042-1147	1	Hardware: Nylon Grommet
-	OK59-01239-0000	1	Grip, Handle Bar, T5 Ergo Right
-	OK59-01204-0000	1	Cover: Ergo-Bar; Bottom
-	0017-00101-1621	4	Hardware: Phillips Screw 0.5"
-	AK59-00062-0000	1	Assembly, Safety Key, T5
-	AK59-00069-0000	1	Accessory: Assembly, User Pod T5.0
-	OK59-01226-0001	1	WLDMT, ERGO BAR PLATED
-	OK39-01044-0000	1	Tape

Extrusions and Rear End Caps



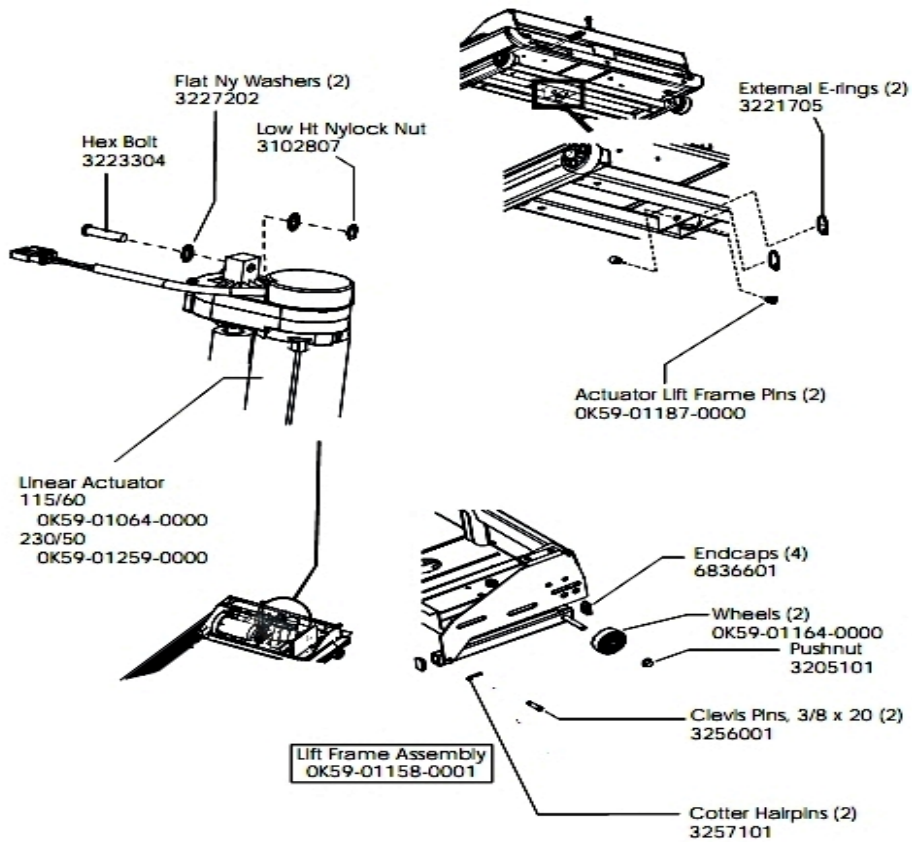
Ref #	Part Number	Qty	Description
-	AK59-00089-0000	1	Extrusion: Assembly, Extrusion, Left, T5
-	0017-00042-0326	2	Hardware: Plastic Grommet
-	OK59-01208-0000	1	Guard, Rear Roller, Right
-	3253907	1	M8 X 1.25-6G6GX050 DIN HXS SOC CS ST BZ
-	3206601	36	10 X 12 TRX Pan 25 ST BZ
-	AK59-00088-0000	1	Assembly, Extrusion, Right, T5
-	OK59-01177-0000	1	Cap: End; Left
-	OK59-01209-0000	1	Guard, Rear Roller, Left
-	3114409	1	Washer, Flat 5/16 AN ST BZ
-	OK59-01176-0000	1	Cap: End; Right.
-	7074401	8	Bracket, Extrusion Mounting
-	OK59-01174-0000	2	Extrusion: Lower
-	0017-00101-1621	2	Hardware: Phillips Screw 0.5"
-	OK59-01254-0000	1	Clip: Extrusion Mounting

Front Roller Assembly



Ref #	Part Number	Qty	Description
-	0K59-01241-0000	1	GUARD, T5 PULLEY
-	3253913	1	M8 X 1.25-6G6GX080 DIN HXS S CS ST BZ
-	AK59-00063-0000	1	Assembly, Front Roller with Pulley, 2 IN
-	0017-00042-0326	2	Hardware: Plastic Grommet
-	0017-00101-1621	2	Hardware: Phillips Screw 0.5"
-	3114409	2	Washer, Flat 5/16 AN ST BZ
-	3253907	1	M8 X 1.25-6G6GX050 DIN HXS SOC CS ST BZ

Lift Frame and Lift Motor



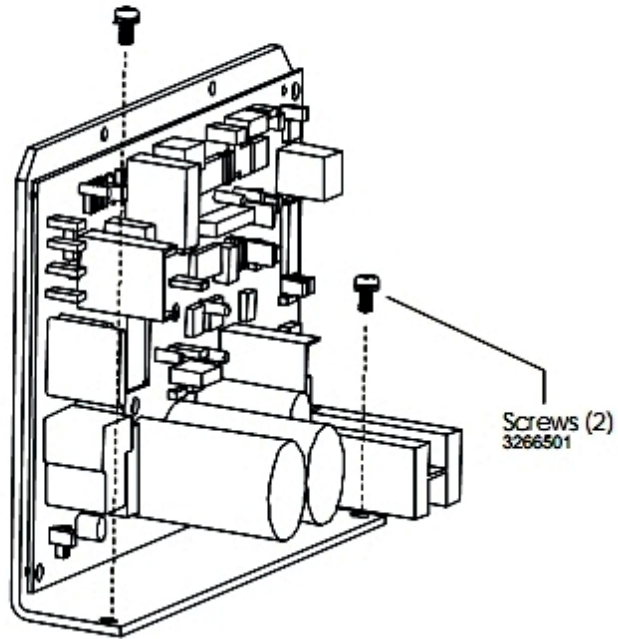
Ref #	Part Number	Qty	Description
-	3102807	1	Hardware: Nut 3/8" ID
-	3205101	2	Pushnut, 1/2 Shaft
-	3221705	2	E-Ring External 1/2"
-	3223304	1	3/8-16X1-3/4 UNS HEX FHB G5 ZN
-	3227202	2	Washer, .377 X .875 X .062 FLT NY
-	OK59-01158-0001	1	Assembly, Lift Frame
-	3256001	2	Pin: 3/8 X 20 Clevis ST BZ
-	OK59-01187-0000	2	Hardware: Pin, Actuator Lift Frame
-	OK59-01259-0000	1	Actuator, Linear, 230/50
-	3257101	2	Pin, Cotter 9/64 IN X 3/4 IN
-	OK59-01064-0000	1	Actuator: Linear; 115/60 D
-	OK59-01164-0000	2	Wheel: 3.0 OD X .50 ID Overmold
-	OK60-01092-0000	4	Tube End Cap

Miscellaneous

Ref #	Part Number	Qty	Description
-	6844301	1	Strap, Heart Rate Life Fitness
-	8254701	1	Transmitter, Polar HR
-	AK59-00090-0000	1	Hardware Assembly, T5.0-T7.0
-	3255701	1	Wrench, M6, HEX Long Arm

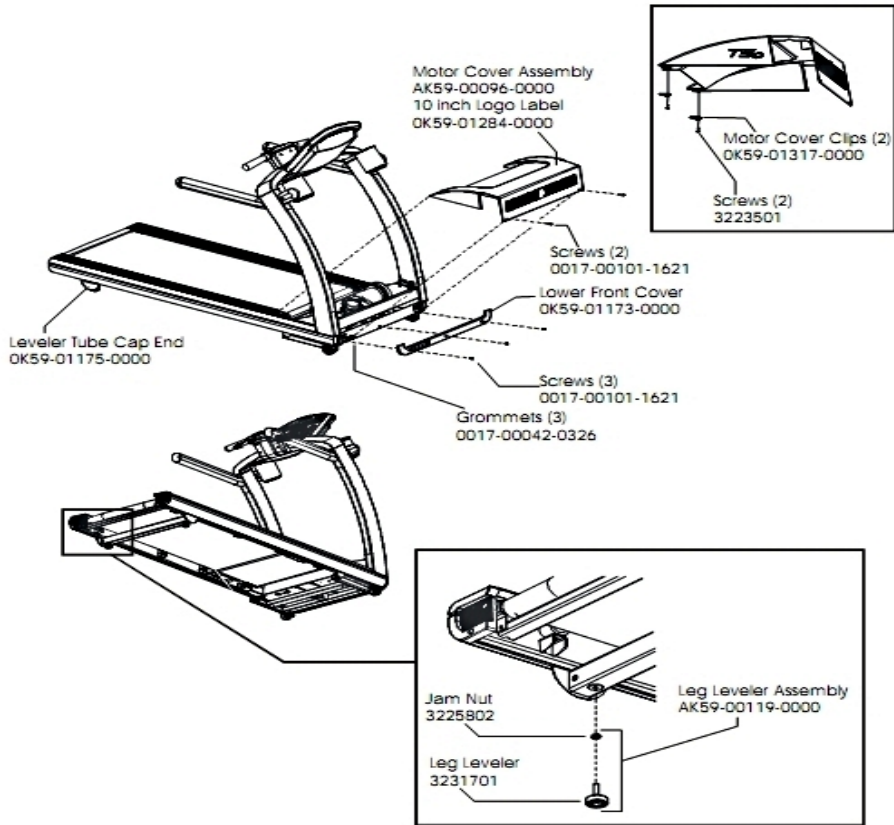
Motor Controller Assembly

Motor Controller Kit:
 Domestic: AK59-00112-0000
 International: AK59-00113-0000



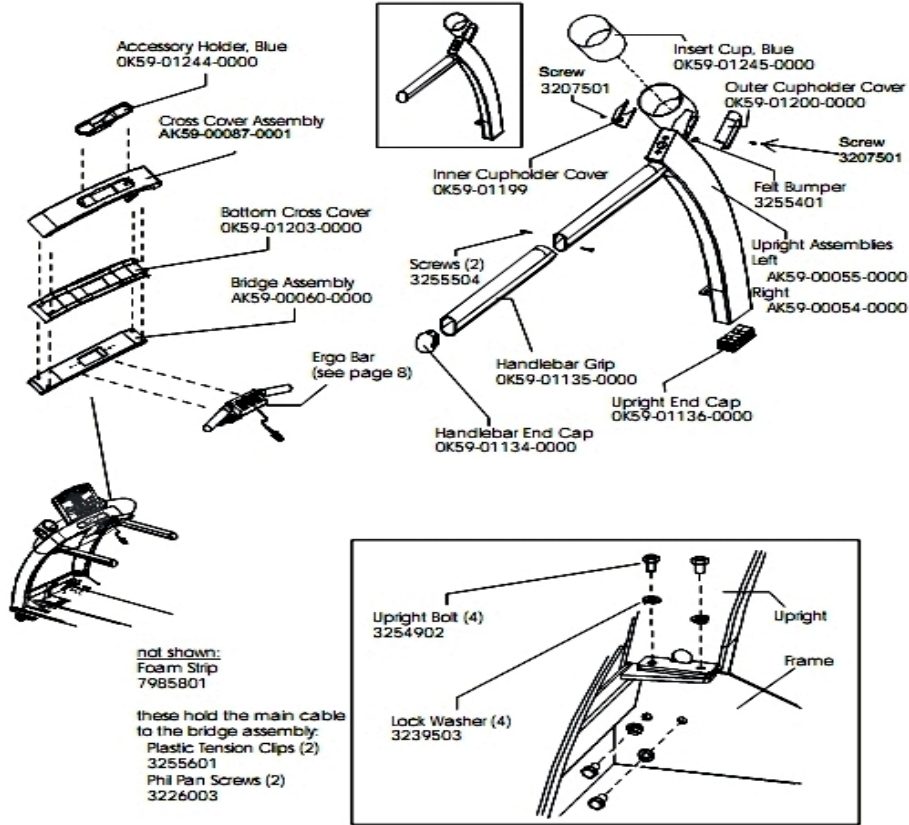
Ref #	Part Number	Qty	Description
-	AK59-00113-0000	1	Service Kit, T5.0/T5.5/T7.0 MTR Control Programmab
-	3208601	2	10-32 X 6 PHI PAN S TT ST ZN
-	AK59-00112-0000	1	Serv Kit; T5.0/T5.5/T7.0 Motor Control Programmabl

Motor Cover, Front End Cap and Leg Levelers



Ref #	Part Number	Qty	Description
-	AK59-00096-0000	1	Assembly, Motor Cover, T5.0
-	OK59-01173-0001	1	Cover, Lower Front
-	OK59-01317-0000	2	Clip, Motor Cover
-	OK59-01175-0000	2	Cap: End; Leveler Tube
-	3225802	2	
-	0017-00101-1621	5	Hardware: Phillips Screw 0.5"
-	OK59-01284-0000	1	Decal: Label, 10 Inch Logo
-	AK59-00119-0000	4	Assembly, Leg Leveler
-	3223501	2	Hardware: Holder Mounting Screw
-	0017-00042-0326	3	Hardware: Plastic Grommet

Uprights, Handrails and Cup Holders



Ref #	Part Number	Qty	Description
-	3207501	2	6-20 X 6 PHI PAN B ST BZ
-	AK59-00074-0001	2	Assembly, Uprights, Shipping
-	AK59-00060-0001	1	NLA: ASSY, BRIDGE
-	OK59-01244-0000	1	Holder: Accessory
-	3255504	2	
-	OK59-01200-0000	1	Cover: Cupholder; Outer
-	3254902	4	M10 X 1.5-6G 6G X 025 DIN UNS HEX CS ST ZN
-	OK59-01134-0000	1	Cap: End; Handlebar
-	AK59-00087-0000	1	Assembly, Bridge Cover
-	OK59-01203-0001	1	Cover, Bottom Cross
-	3255401	1	Bumper Felt
-	OK59-01199-0000	1	Cover: Cupholder; Inner
-	OK59-01245-0000	1	Insert: Cup
-	3239503	4	Hardware: Washer 0.375" D
-	7985801	1	Strip, Foam 1/2W X 1/4 Thick
-	OK59-01135-0000	1	Grip: Handlebar; FO
-	OK59-01136-0000	1	Cap: End; Upright
-	3255601	2	Clip, Plastic Tension
-	3226003	2	6-20 X 8 PHI PAN PLT ST BZ

