

# T50 Treadmill - English/Metric 230/50 - Brazil

T50-0111-01

## Parts Manual

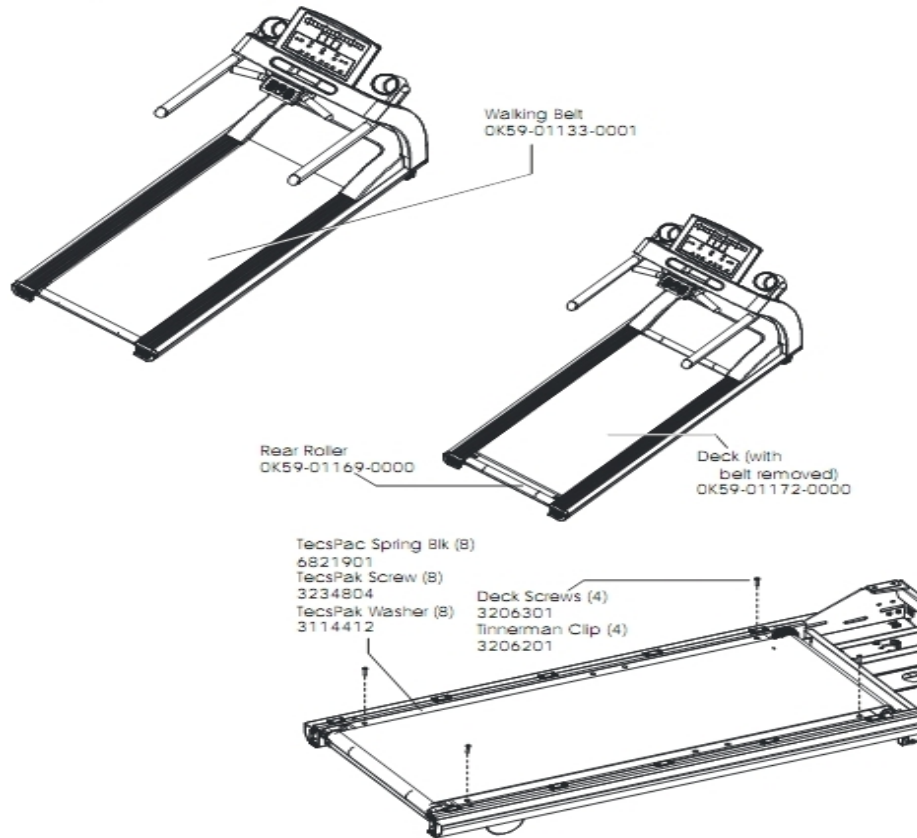
1/5/2019 17:08:53 PM

**Table of Contents**

---

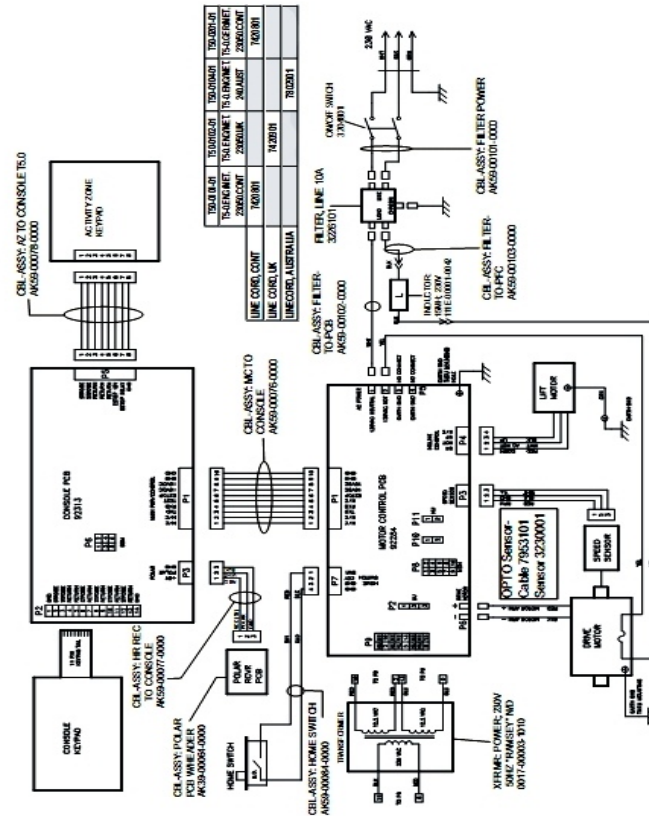
[Belt, Deck and Rear Roller.....](#)3  
[Block Diagram - High Voltage.....](#)4  
[Console and Related Components.....](#)5  
[Drive Motor Assembly.....](#)6  
[Ergo Bar.....](#)7  
[Extrusions and Rear End Caps.....](#)8  
[Front Roller Assembly.....](#)9  
[Lift Frame and Lift Motor.....](#)10  
[Miscellaneous.....](#)11  
[Motor Controller Assembly.....](#)12  
[Motor Cover, Front End Cap and Leg Levelers.....](#)13  
[Uprights, Handrails, and Cup Holders.....](#)14

## Belt, Deck and Rear Roller



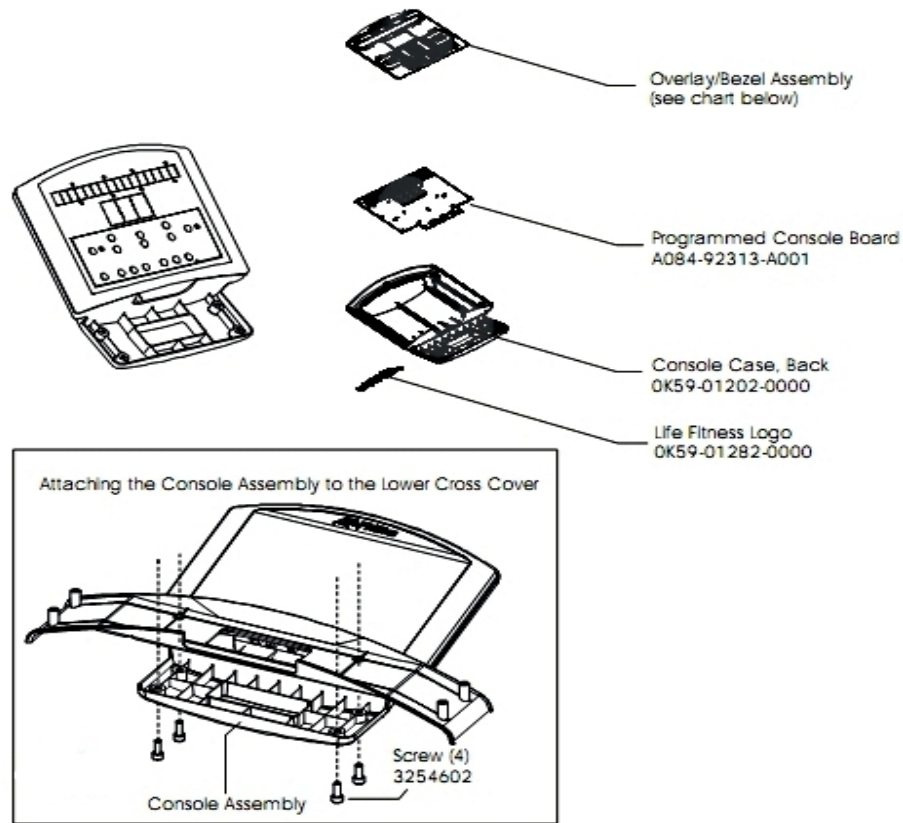
Ref #	Part Number	Qty	Description
-	0017-00101-1775	4	Hardware: Deck Screws 1.25"
-	OK59-01133-0001	1	Belt, Walking, 22 X 60, Plate, 2 Inch
-	OK59-01169-0000	1	Roller, Rear Idler, 2 IN
-	6821901	8	Spring, TECSPAC Black
-	3234804	8	12-24 X 10 PHI PAN TT ST BZ
-	0017-00103-0198	4	Hardware: Tinnerman Clip 1/4" ID
-	OK59-01172-0000	1	Deck, 20 X 60 Walking Surface
-	3114412	8	Washer, Flat #10 USS ST BZ

# Block Diagram - High Voltage



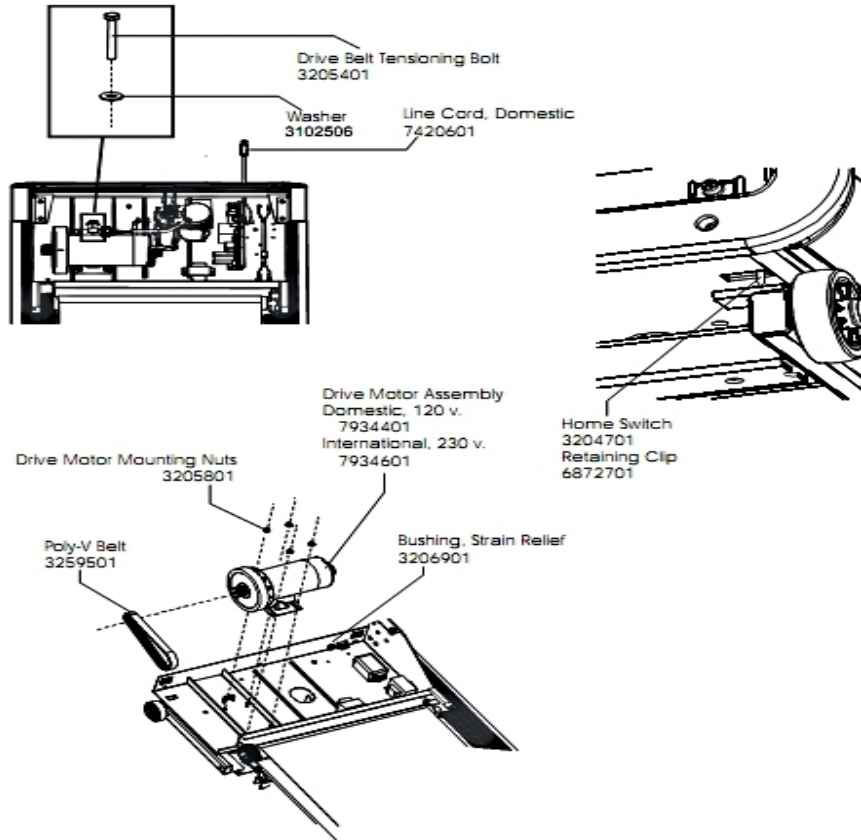
Ref #	Part Number	Qty	Description
-	0017-00003-1010	1	Transformer: Power; 230V 50HZ Ramsey N/D
-	AK59-00084-0000	1	Cable-Assembly: Home Switch C
-	7953101	1	Cable Assembly, Opto Sensor
-	AK59-00078-0000	1	Cable-Assembly: AZ To Console T5.0 C
-	AK59-00102-0000	1	Cable-Assembly: Filter-To-Printed Circuit Board B
-	AK59-00101-0000	1	Cable-Assembly: Filter Power C
-	0017-00032-0198	1	On/Off Switch 22A
-	AK59-00103-0000	1	CBL-ASSY: FILTER-TO-PFC B
-	3226101	1	Filter, Line 10A
-	118E-00001-0259	1	Wireless Receiver Module, Non-Coded
-	AK59-00077-0000	1	Cable-Assembly: HR Rec To Console C
-	7420801	1	Line Cord, CONT
-	111E-00001-0042	1	Inductor: 15MH; 230V
-	3230001	1	OPTO, Sensor
-	AK59-00076-0000	1	Cable-Assembly: MC To Console C

## Console and Related Components



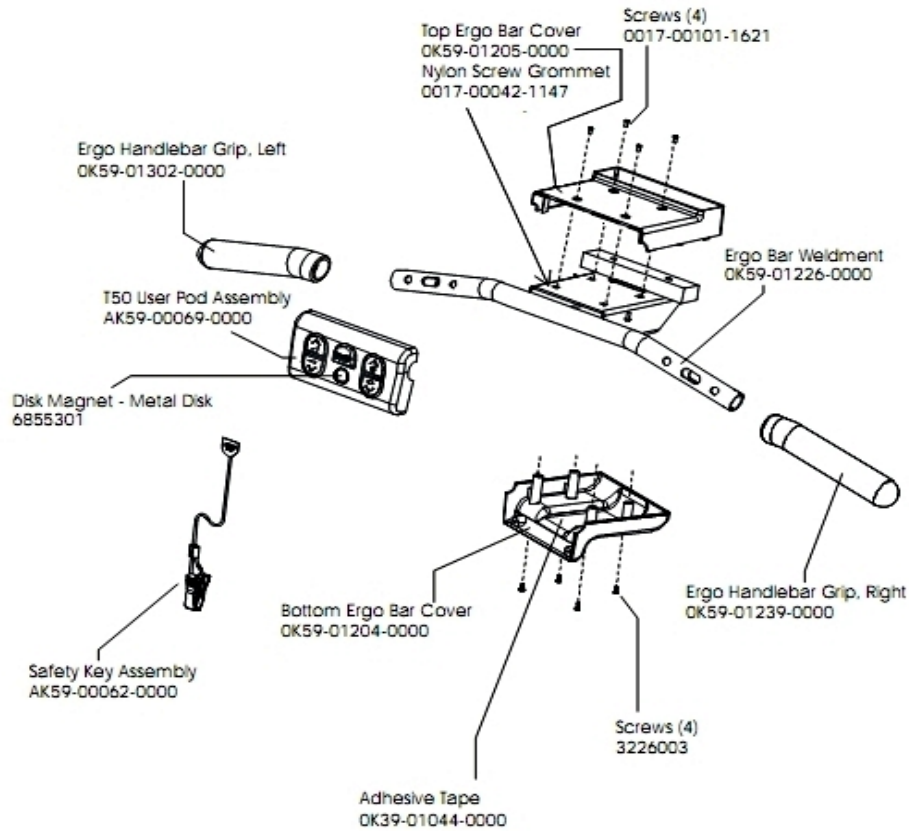
Ref #	Part Number	Qty	Description
-	AK59-00061-0000R	1	Assembly, Console, T5 English-English
-	3254602	4	M10 X 1.5-6G6GX025 DIN HXS SOC CS ST BZ
-	B084-92313-C000	1	Printed Circuit Board-Assembly: "Ramsey" UnProgram
-	OK59-01202-0000	1	Case; Console; Back
-	AK59-00114-0000	1	Bezel: Service Kit, T5.0 Bezel Assembly English/Me
-	OK59-01282-0000	1	Decal: Label, 7.25" Logo

## Drive Motor Assembly



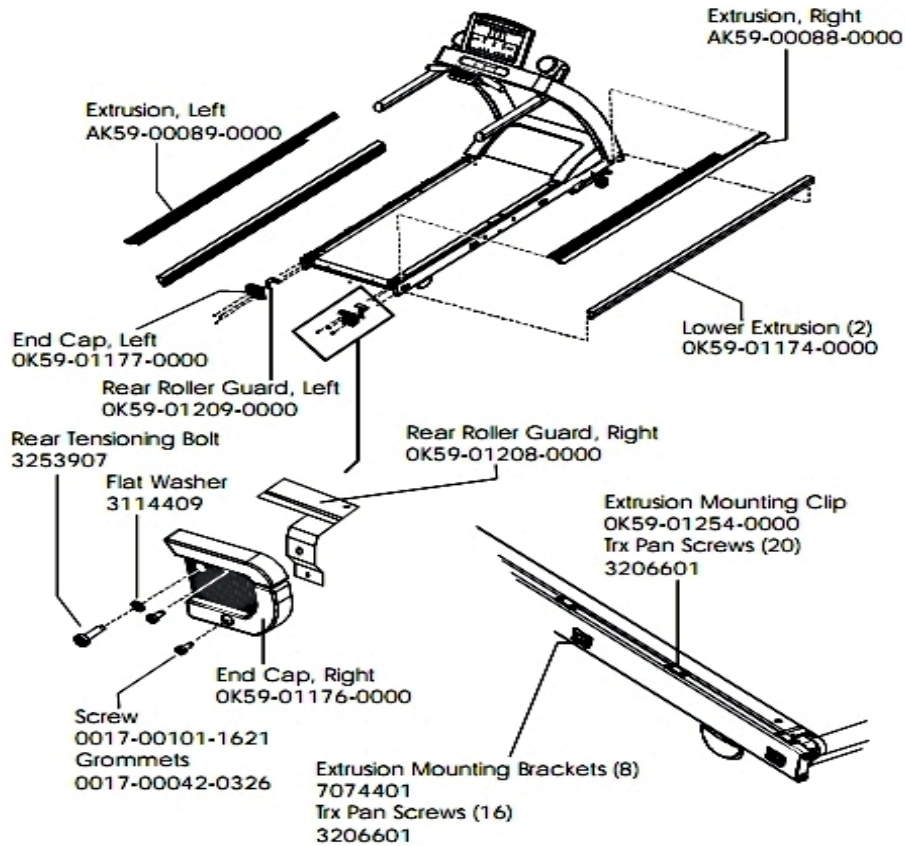
Ref #	Part Number	Qty	Description
-	3206901	1	Bushing, Strain Relief
-	3102506	1	Hardware: Flat Washer 1/4" ID
-	6872701	1	Clip, Switch Retaining
-	3205801	1	Nut, 5/16-18 HEX Serr Flange
-	3259501	1	Belt, Poly-V 230 J10
-	7934601	1	Assembly, Motor, 3.00HP, 230V
-	3204701	1	Switch, Home
-	3205401	1	1/4-20 X 2 UNS HEX FHB G5 ZN

# Ergo Bar



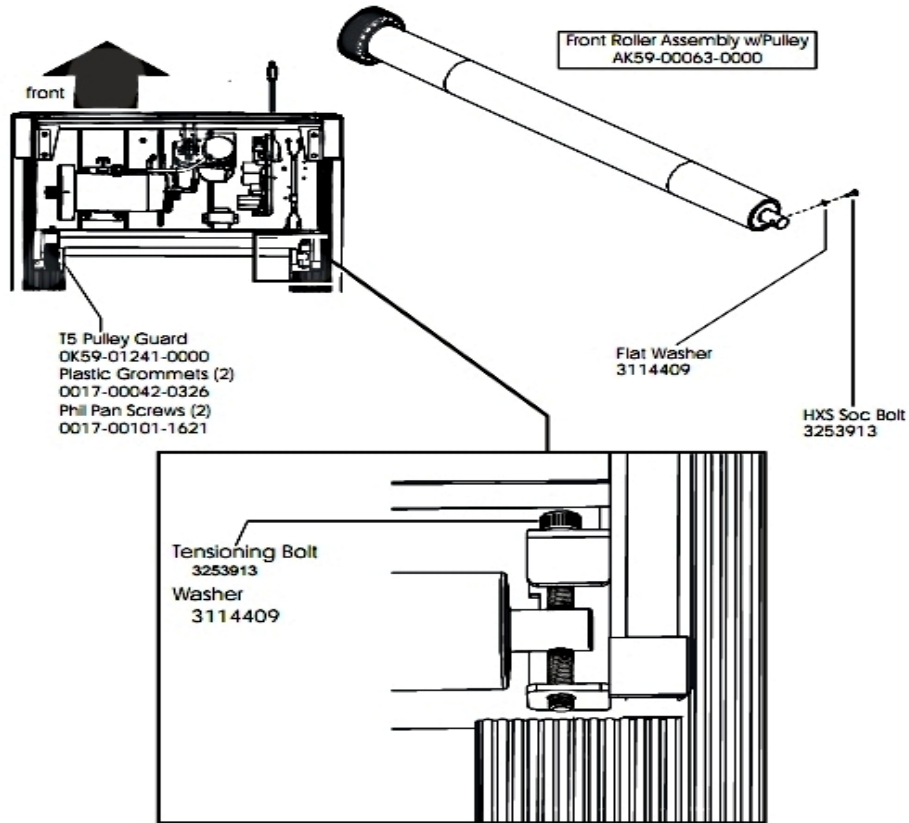
Ref #	Part Number	Qty	Description
-	OK59-01226-0001	1	WLDMT, ERGO BAR PLATED
-	AK59-00069-0000	1	Accessory: Assembly, User Pod T5.0
-	OK59-01302-0000	1	Grip, Handle Bar, T5 Ergo Left
-	AK59-00062-0000	1	Assembly, Safety Key, T5
-	OK39-01044-0000	1	Tape
-	OK59-01205-0000	1	Cover: Ergo-Bar; Top
-	0017-00042-1147	1	Hardware: Nylon Grommet
-	OK59-01239-0000	1	Grip, Handle Bar, T5 Ergo Right
-	OK59-01204-0000	1	Cover: Ergo-Bar; Bottom
-	0017-00101-1621	4	Hardware: Phillips Screw 0.5"
-	6855301	1	Disk, Magnet
-	3226003	4	6-20 X 8 PHI PAN PLT ST BZ

## Extrusions and Rear End Caps



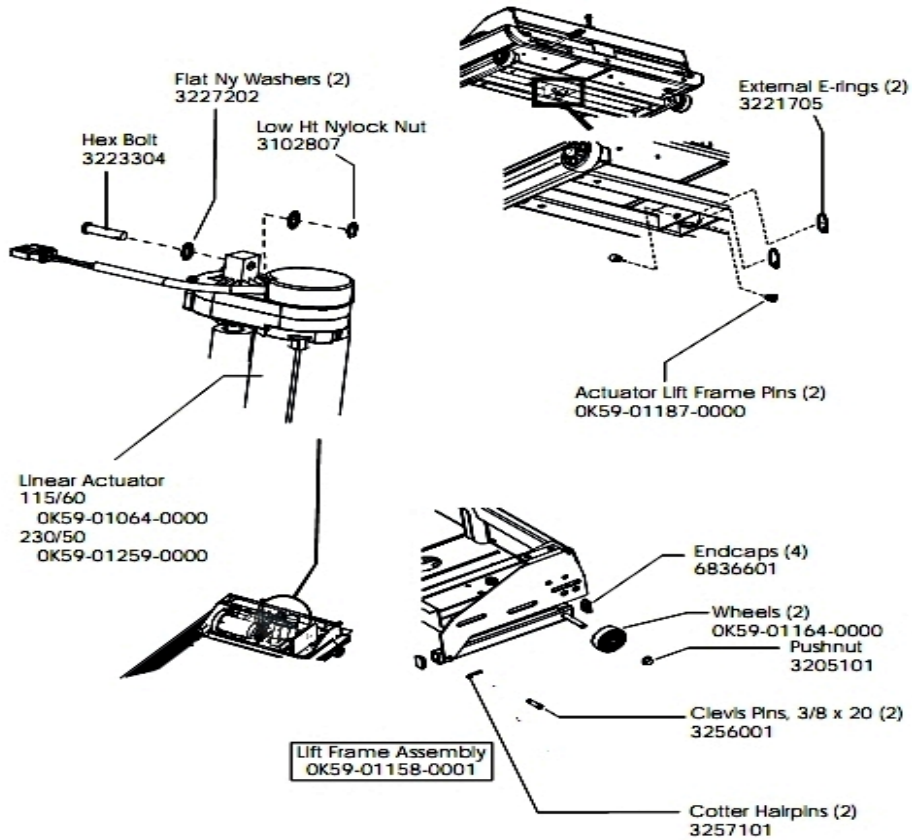
Ref #	Part Number	Qty	Description
-	AK59-00089-0000	1	Extrusion: Assembly, Extrusion, Left, T5
-	OK59-01177-0000	1	Cap: End; Left
-	OK59-01254-0000	1	Clip: Extrusion Mounting
-	3206601	36	10 X 12 TRX Pan 25 ST BZ
-	3114409	1	Washer, Flat 5/16 AN ST BZ
-	OK59-01176-0000	1	Cap: End; Right.
-	OK59-01208-0000	1	Guard, Rear Roller, Right
-	OK59-01174-0000	2	Extrusion: Lower
-	3253907	1	M8 X 1.25-6G6GX050 DIN HXS SOC CS ST BZ
-	0017-00042-0326	1	Hardware: Plastic Grommet
-	AK59-00088-0000	1	Assembly, Extrusion, Right, T5
-	7074401	8	Bracket, Extrusion Mounting
-	OK59-01209-0000	1	Guard, Rear Roller, Left
-	0017-00101-1621	1	Hardware: Phillips Screw 0.5"

## Front Roller Assembly



Ref #	Part Number	Qty	Description
-	0017-00101-1621	2	Hardware: Phillips Screw 0.5"
-	3114409	2	Washer, Flat 5/16 AN ST BZ
-	0017-00042-0326	2	Hardware: Plastic Grommet
-	3253907	1	M8 X 1.25-6G6GX050 DIN HXS SOC CS ST BZ
-	3253913	1	M8 X 1.25-6G6GX080 DIN HXS S CS ST BZ
-	AK59-00063-0000	1	Assembly, Front Roller with Pulley, 2 IN
-	OK59-01241-0000	1	GUARD, T5 PULLEY

## Lift Frame and Lift Motor



Ref #	Part Number	Qty	Description
-	3102807	1	Hardware: Nut 3/8" ID
-	3205101	1	Pushnut, 1/2 Shaft
-	OK59-01158-0001	1	Assembly, Lift Frame
-	OK60-01092-0000	4	Tube End Cap
-	OK59-01064-0000	1	Actuator: Linear; 115/60 D
-	OK59-01164-0000	2	Wheel: 3.0 OD X .50 ID Overmold
-	OK59-01187-0000	2	Hardware: Pin, Actuator Lift Frame
-	OK59-01259-0000	1	Actuator, Linear, 230/50
-	3257101	2	Pin, Cotter 9/64 IN X 3/4 IN
-	3221705	2	E-Ring External 1/2"
-	3223304	1	3/8-16X1-3/4 UNS HEX FHB G5 ZN
-	3227202	2	Washer, .377 X .875 X .062 FLT NY
-	3256001	2	Pin: 3/8 X 20 Clevis ST BZ

## Miscellaneous

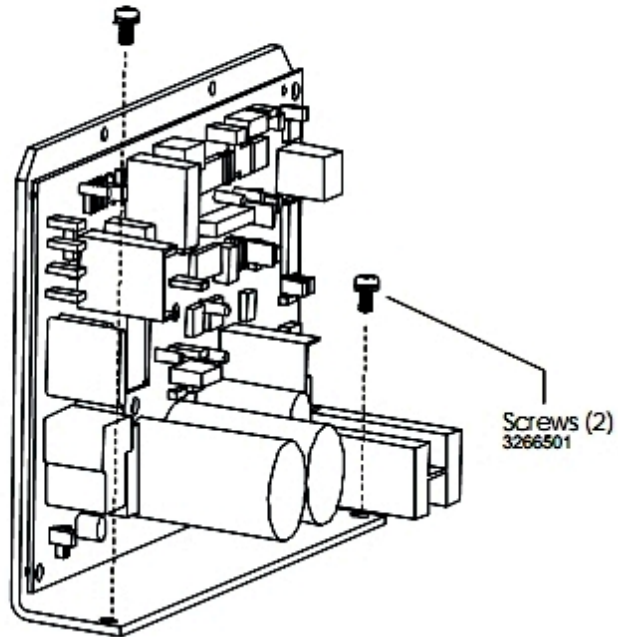
---

Ref #	Part Number	Qty	Description
-	8254701	1	Transmitter, Polar HR
-	AK59-00090-0000	1	Hardware Assembly, T5.0-T7.0
-	3255701	1	Wrench, M6, HEX Long Arm
-	6844301	1	Strap, Heart Rate Life Fitness

## Motor Controller Assembly

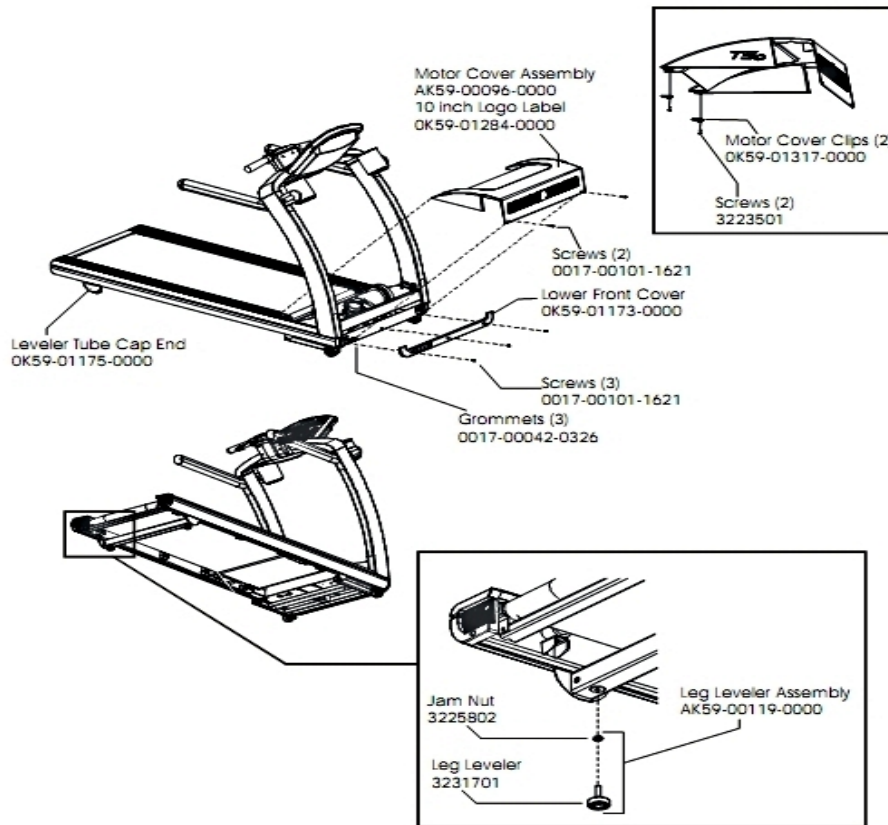
---

Motor Controller Kit:  
Domestic: AK59-00112-0000  
International: AK59-00113-0000



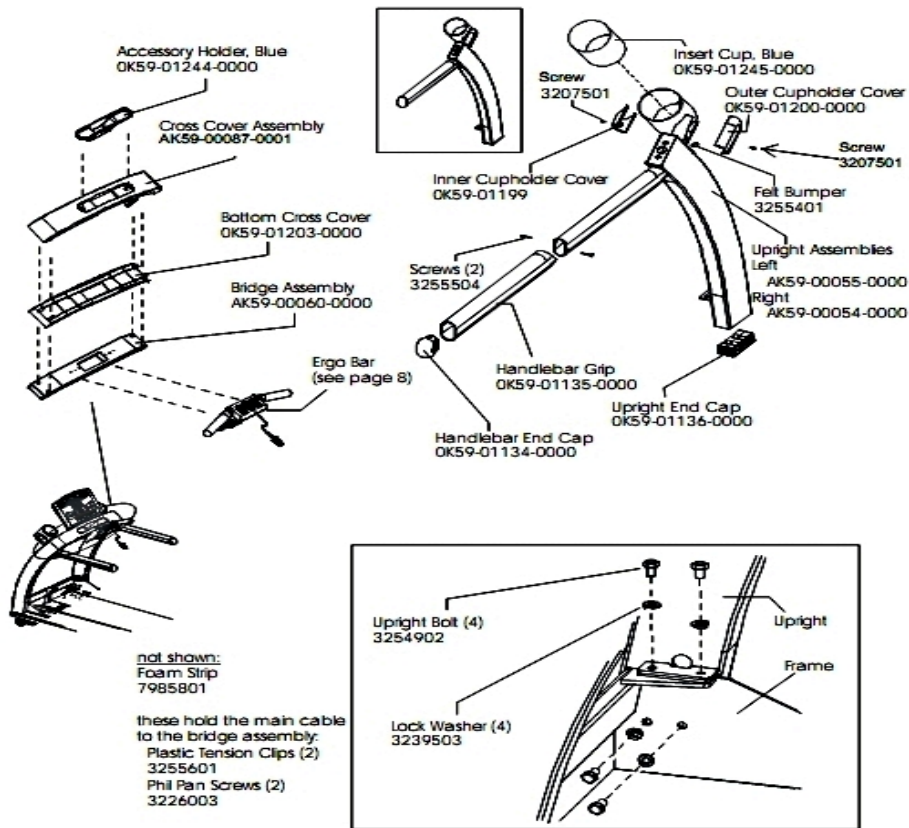
Ref #	Part Number	Qty	Description
-	3208601	2	10-32 X 6 PHI PAN S TT ST ZN
-	AK59-00113-0000	1	Service Kit, T5.0/T5.5/T7.0 MTR Control Programmab

## Motor Cover, Front End Cap and Leg Levelers



Ref #	Part Number	Qty	Description
-	OK59-01284-0000	1	Decal: Label, 10 Inch Logo
-	OK59-01175-0000	1	Cap: End; Leveler Tube
-	OK59-01317-0000	2	Clip, Motor Cover
-	3223501	2	Hardware: Holder Mounting Screw
-	0017-00042-0326	3	Hardware: Plastic Grommet
-	3225802	1	
-	OK59-01173-0001	1	Cover, Lower Front
-	AK59-00096-0000	1	Assembly, Motor Cover, T5.0
-	0017-00101-1621	5	Hardware: Phillips Screw 0.5"
-	AK59-00119-0000	2	Assembly, Leg Leveler

# Uprights, Handrails, and Cup Holders



Ref #	Part Number	Qty	Description
-	OK59-01244-0000	1	Holder: Accessory
-	7985801	1	Strip, Foam 1/2W X 1/4 Thick
-	3207501	2	6-20 X 6 PHI PAN B ST BZ
-	3226003	2	6-20 X 8 PHI PAN PLT ST BZ
-	OK59-01134-0000	1	Cap: End; Handlebar
-	AK59-00087-0000	1	Assembly, Bridge Cover
-	OK59-01135-0000	1	Grip: Handlebar; FO
-	OK59-01136-0000	1	Cap: End; Upright
-	3255601	2	Clip, Plastic Tension
-	AK59-00074-0001	2	Assembly, Uprights, Shipping
-	OK59-01200-0000	1	Cover: Cupholder; Outer
-	OK59-01203-0001	1	Cover, Bottom Cross
-	3255401	1	Bumper Felt
-	AK59-00060-0001	1	NLA: ASSY, BRIDGE
-	3254902	4	M10 X 1.5-6G 6G X 025 DIN UNS HEX CS ST ZN
-	OK59-01199-0000	1	Cover: Cupholder; Inner
-	OK59-01245-0000	1	Insert: Cup
-	3239503	4	Harware: Washer 0.375" D
-	3255504	2	

