

# T9i Treadmill 3HP DC - Lifepulse

T9-0101-01

## Parts Manual

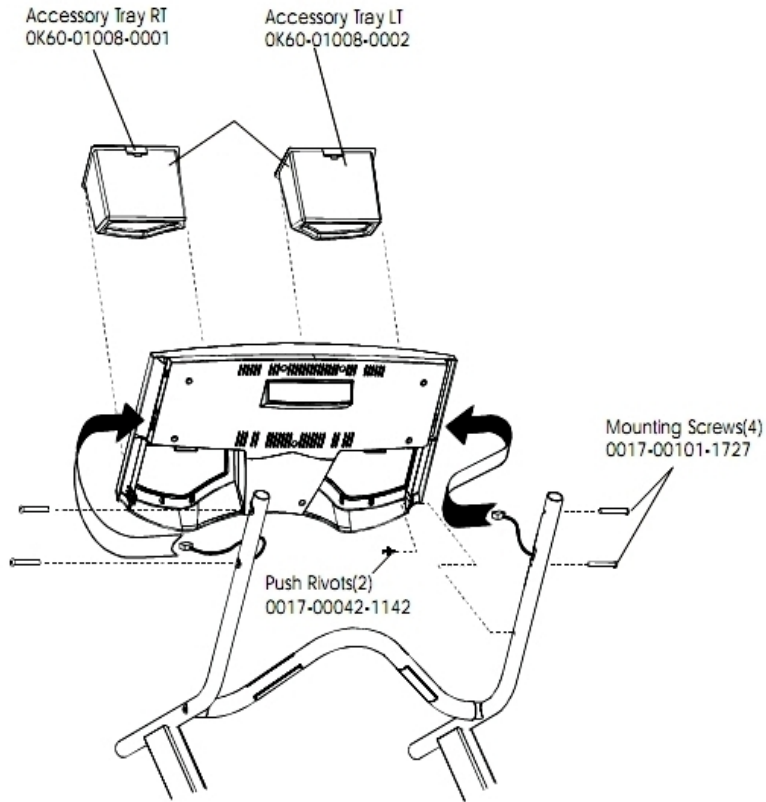
1/5/2019 17:14:36 PM

**Table of Contents**

---

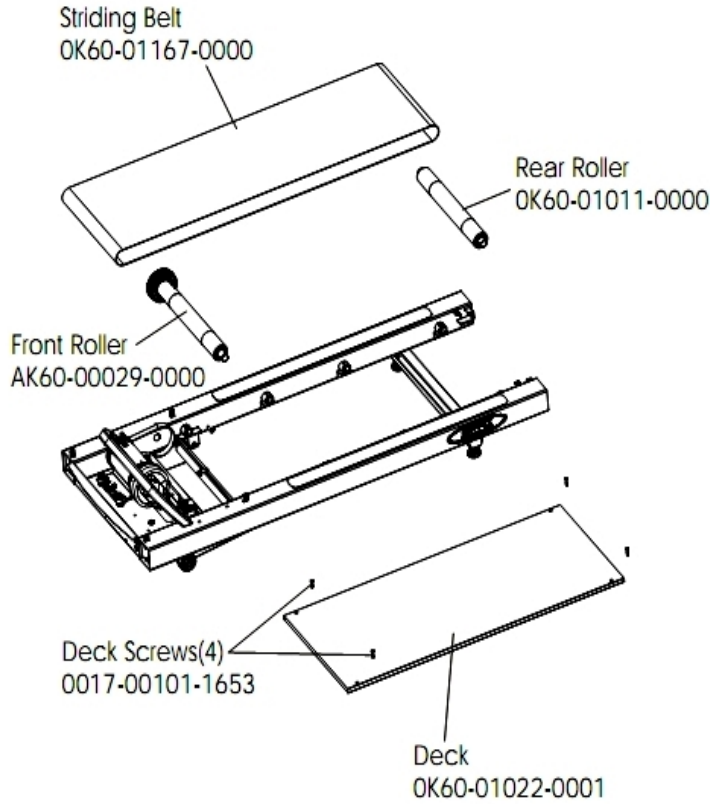
<a href="#">Accessory Trays</a> .....	3
<a href="#">Belt, Deck and Rear Rollers</a> .....	4
<a href="#">Cables</a> .....	5
<a href="#">Console Assembly 1</a> .....	6
<a href="#">Console Assembly 2</a> .....	7
<a href="#">Console Assembly 3</a> .....	8
<a href="#">Drive Motor Assembly</a> .....	9
<a href="#">DC Controller and On/Off Switch</a> .....	10
<a href="#">Ergo Bar and Upright Assembly</a> .....	11
<a href="#">Lifesprings and Anti-Static Tinsel</a> .....	12
<a href="#">Lift Frame Assembly</a> .....	13
<a href="#">Lift Motor and Home Switch</a> .....	14
<a href="#">Line Filter Assembly and Line Cord</a> .....	15
<a href="#">Motor Cover, Leveler and End Caps</a> .....	16
<a href="#">Rear Roller Cover Guards</a> .....	17
<a href="#">Sensors</a> .....	18

## Accessory Trays



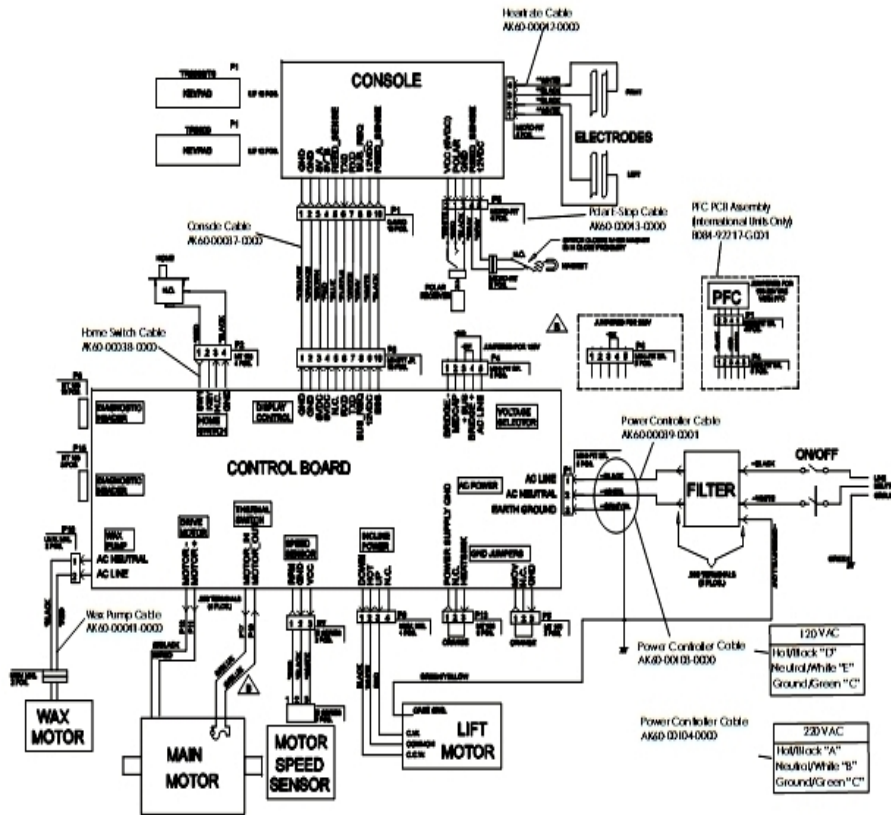
Ref #	Part Number	Qty	Description
-	0017-00101-1727	4	Hardware: Mounting Screw
-	0K60-01008-0002	1	Accessory Tray Left
-	0K60-01008-0001	1	Accessory Tray Right
-	0017-00042-1142	2	Push Rivets

## Belt, Deck and Rear Rollers



Ref #	Part Number	Qty	Description
-	OK60-01011-0000	1	Rear Roller
-	0017-00101-1775	4	Hardware: Deck Screws 1.25"
-	OK60-01022-0001	1	Deck: Compliant; No-Wax C
-	AK60-00029-0000	1	Front Roller Assembly
-	OK60-01167-0000	1	Belt: Walking; Lube; with Logo C

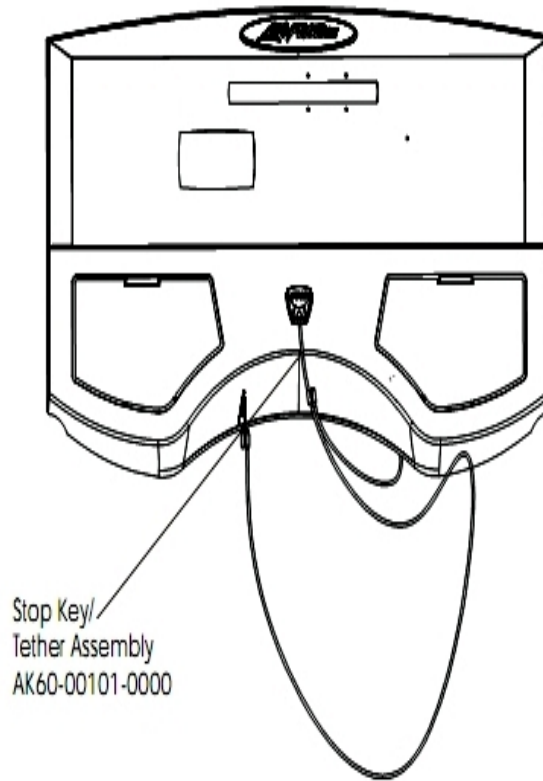
### Cables



Ref #	Part Number	Qty	Description	
-	AK60-00104-0000	1	Power Controller Cable: 220V	
-	AK60-00042-0000	1	Heart Rate Cable	
-	AK60-00041-0000	1	Wax Pump Cable	
-	B084-92217-G001	1	"R&R" ONLY---PCB-ASSY: PFC	B
-	AK60-00037-0000	1	Console Cable	
-	AK60-00038-0000	1	Home Switch Cable	
-	AK60-00043-0000	1	Polar E-Stop Cable	
-	AK60-00039-0001	1	Cable-Assembly: Power-Controller C	

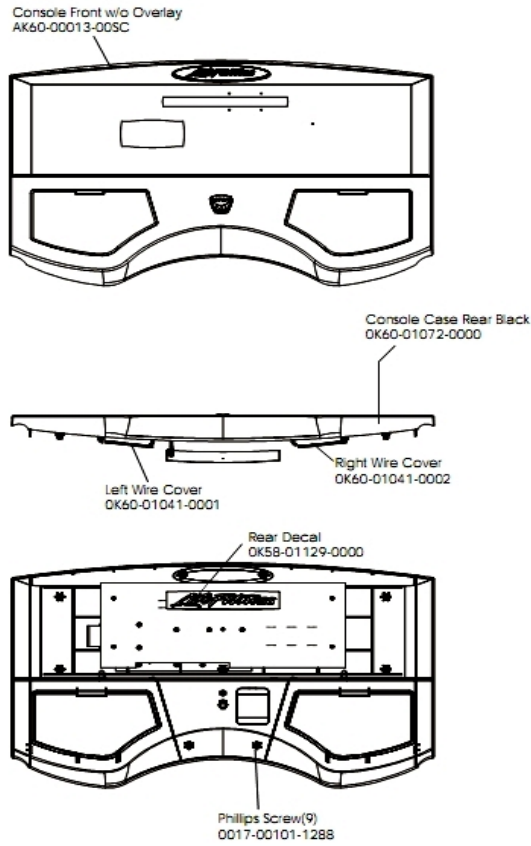
## Console Assembly 1

---



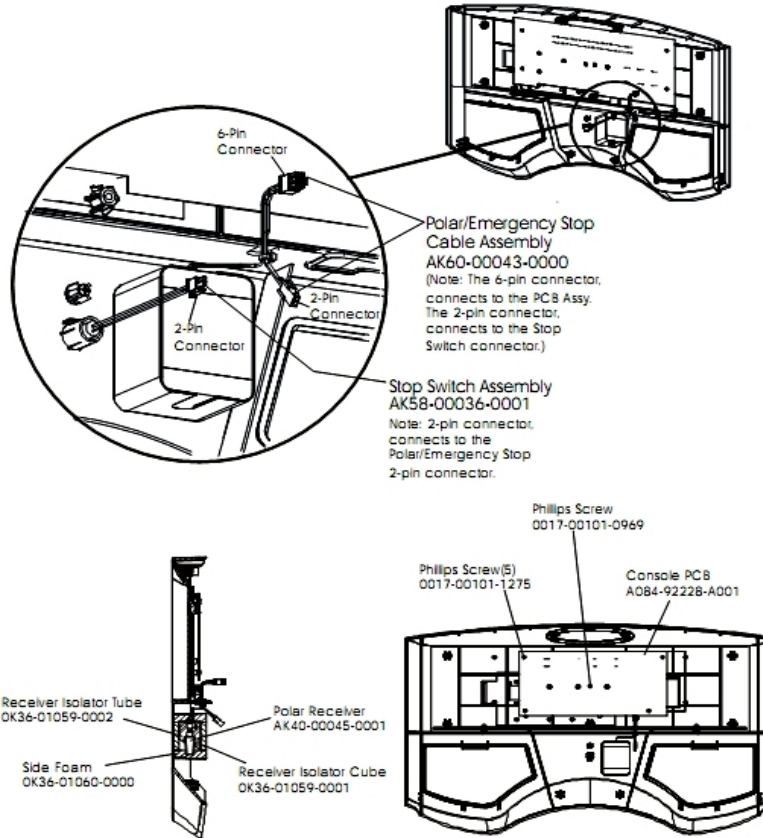
Ref #	Part Number	Qty	Description
-	AK60-00016-0001	1	NLA: CONS-ASSY: MFG; ENG+MET;T9I E
-	AK60-00101-0000	1	Stop Key Tether Assembly
-	AK60-00013-0001	1	Console-Front Assembly: Mfg; T9I; English E

## Console Assembly 2



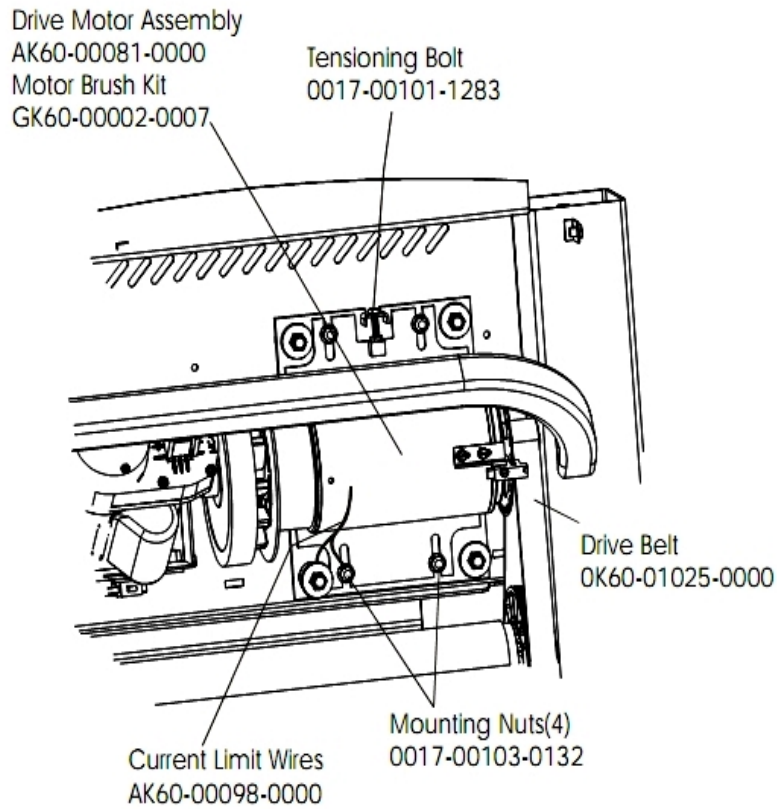
Ref #	Part Number	Qty	Description
-	OK60-01072-0000	1	Case: Console; Rear; Black; S/C- E
-	OK60-01041-0002	1	Right Wire Cover
-	OK60-01041-0001	1	Left Wire Cover
-	AK60-00013-0001	1	Console-Front Assembly: Mfg; T9I; English E
-	OK58-01129-0000	1	Rear Console Decal
-	0017-00101-1288	9	Hardware: Phillips Screw 0.5"

# Console Assembly 3



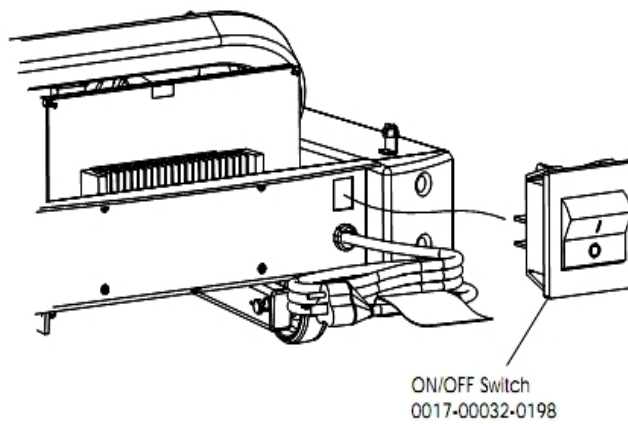
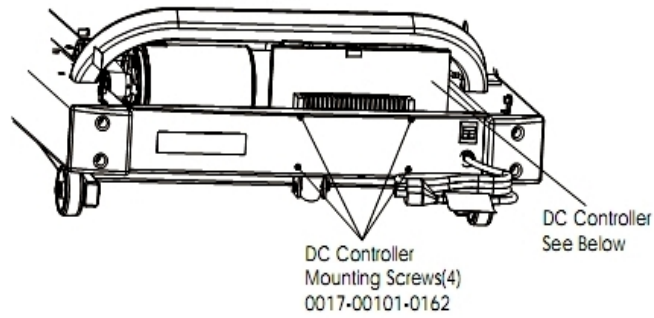
Ref #	Part Number	Qty	Description
-	OK36-01059-0001	1	Isolator Receiver Cube
-	0017-00101-0969	1	Hardware: Phillips Screw
-	OK36-01059-0002	1	Insulator Receiver Tube
-	OK36-01060-0000	1	Side Foam
-	SK40-00045-0001	1	Polar HR Kit
-	0017-00101-1275	5	Hardware: Phillips Screw 0.375"
-	A084-92228-A001	1	Console PCB
-	AK58-00036-0000	1	Cable-Assembly: Emergency-Stop Switch
-	AK60-00043-0000	1	Polar E-Stop Cable

## Drive Motor Assembly



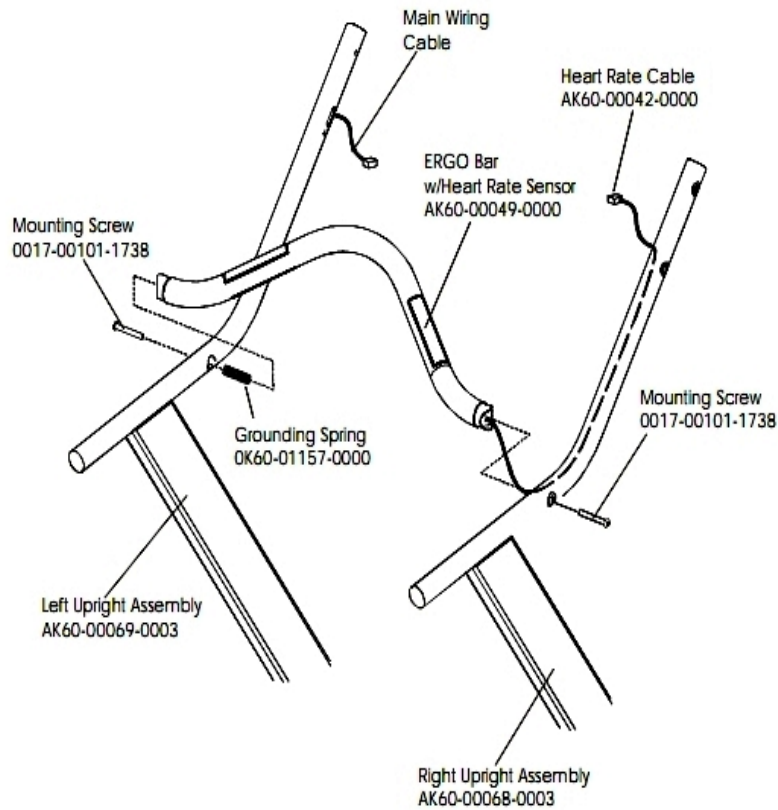
Ref #	Part Number	Qty	Description
-	0017-00101-1283	1	Hardware: Tensioning Bolt
-	AK60-00098-0000	1	Current Limit Wires
-	AK60-00081-0001	1	Drive Motor Assembly
-	GK60-00002-0007	1	Motor Brush Kit
-	GK60-00002-0015	1	Kit: Activate Treadmill Belt And Pulley
-	0017-00103-0132	4	Hardware: Mounting Nut

## DC Controller and On/Off Switch



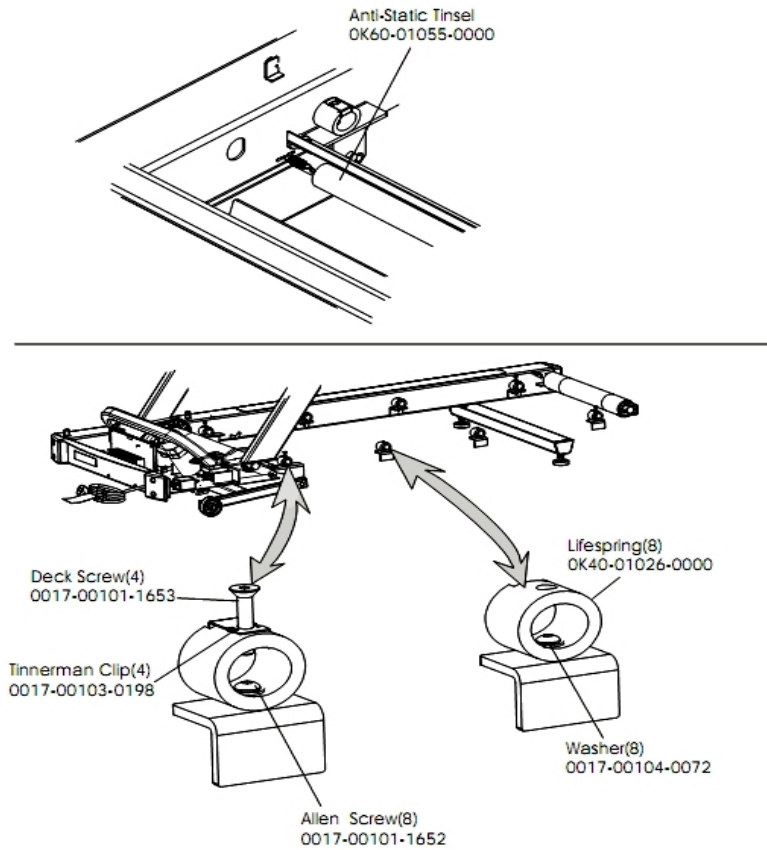
Ref #	Part Number	Qty	Description
-	GK60-00002-0005	1	Kit: Serv; Motor-Control; T9i; 200-240V BM
-	0017-00032-0198	1	On/Off Switch 22A
-	0017-00101-0162	4	Hardware: Screw 0.375"

## Ergo Bar and Upright Assembly



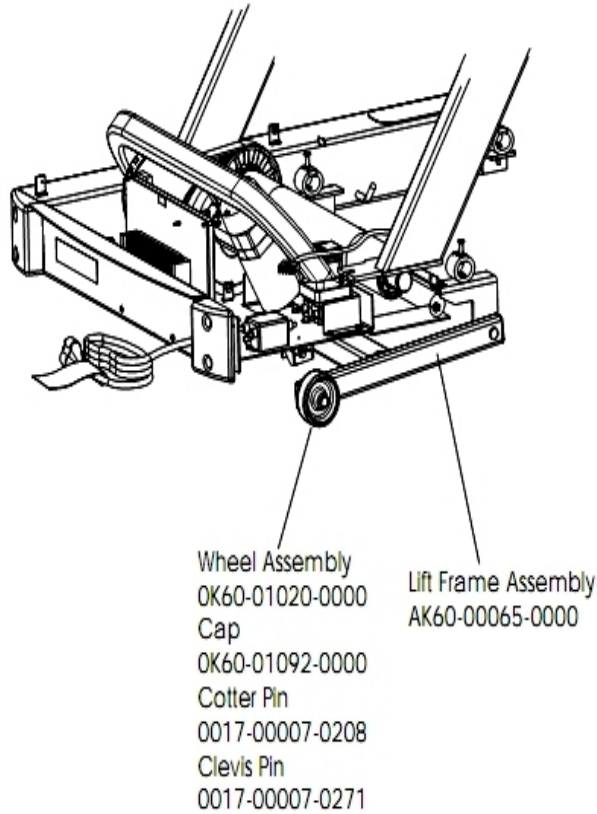
Ref #	Part Number	Qty	Description
-	AK60-00068-0003	1	NLA: HANDRAIL W/DECAL ASSY: MFG;RT C
-	AK60-00069-0003	1	NLA: HANDRAIL W/DECAL ASSY: MFG; BLK; LT C
-	AK60-00042-0000	1	Heart Rate Cable
-	OK60-01157-0000	1	Grounding Spring
-	0017-00101-1738	2	Hardware: Mounting Screw
-	AK60-00049-0000	1	ERGO Bar with Heart Rate Sensor

## Lifesprings and Anti-Static Tinsel



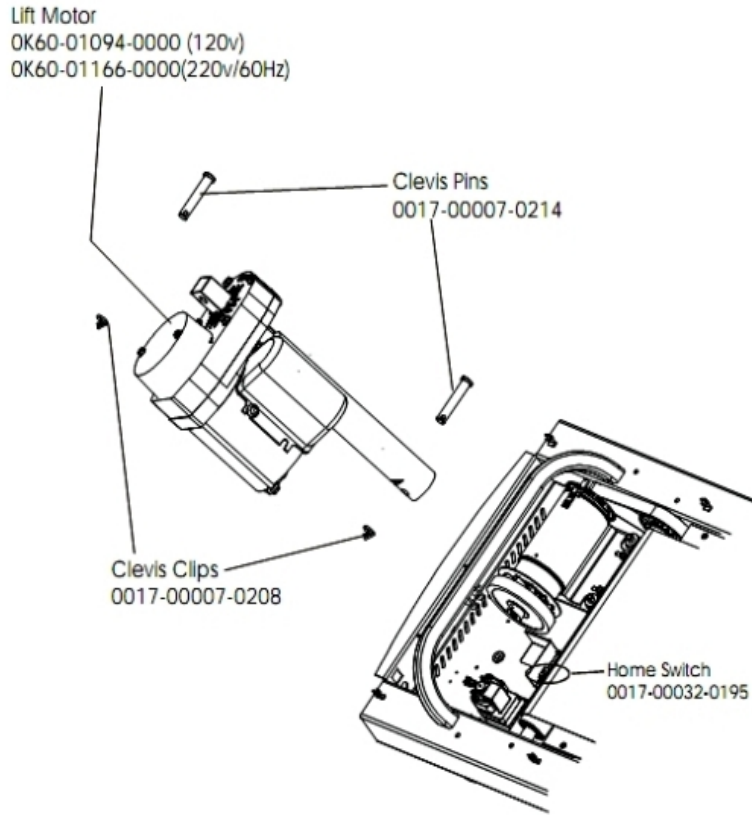
Ref #	Part Number	Qty	Description
-	OK40-01026-0001	8	Spring: Tecspak, Black S/C-B
-	0017-00104-0072	8	Hardware: Flat Washer 0.562" OD
-	OK60-01055-0000	1	Anti-Static Tinsel
-	0017-00103-0198	4	Hardware: Tinnerman Clip 1/4" ID
-	0017-00101-1775	4	Hardware: Deck Screws 1.25"
-	0017-00101-1652	8	Hardware: Spring Mounting Screw 1"

## Lift Frame Assembly



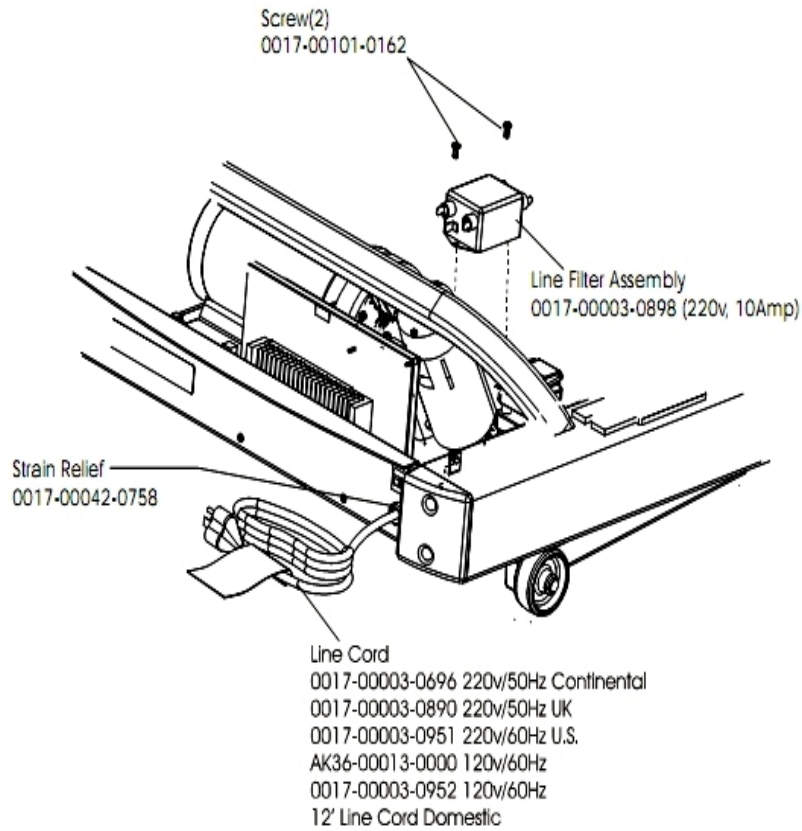
Ref #	Part Number	Qty	Description
-	6836601	1	Cap, End 1 X 1-1/2 11 GA
-	AK60-00065-0000	1	Lift Frame Assembly
-	OK60-01020-0000	1	Wheel
-	0017-00007-0208	1	Hardware: Cotter Pin
-	0017-00007-0271	1	Hardware: Clevis Pin - 1/2" D 2.75" L

## Lift Motor and Home Switch



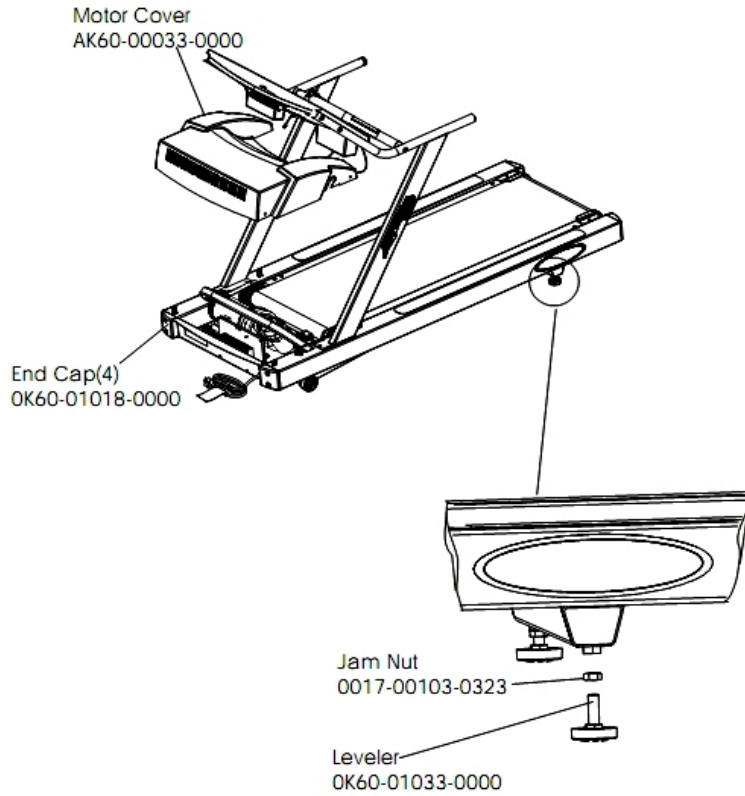
Ref #	Part Number	Qty	Description
-	0017-00007-0214	1	Hardware: Clevis Pin 3/8" D 1.75" L
-	OK60-01166-0000	1	Lift Motor (220v)
-	0017-00032-0195	1	Home Switch
-	0017-00007-0208	1	Hardware: Cotter Pin

## Line Filter Assembly and Line Cord



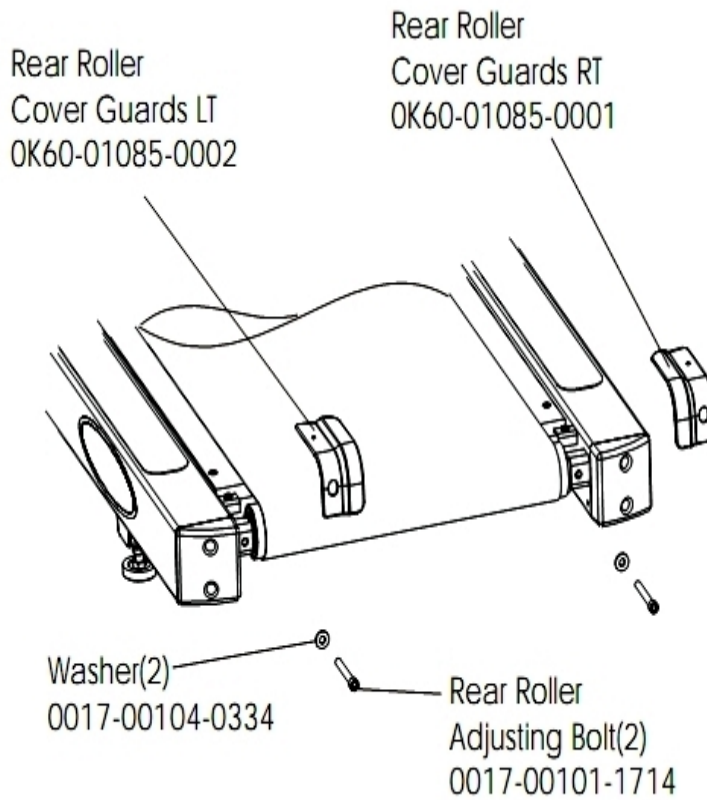
Ref #	Part Number	Qty	Description
-	0017-00042-0758	1	Strain Relief Bushing
-	0017-00101-0162	2	Hardware: Screw 0.375"
-	0017-00003-0696	1	Line Cord: International High Voltage (Cont.) 103"

## Motor Cover, Leveler and End Caps



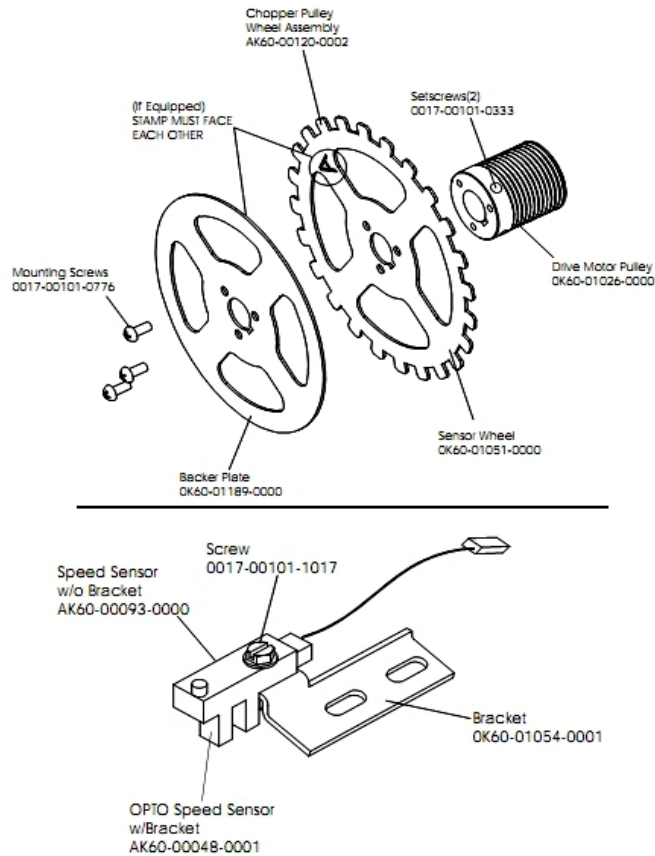
Ref #	Part Number	Qty	Description
-	AK60-00033-0000	1	Motor Cover
-	OK60-01033-0000	1	Leg Leveler
-	OK60-01018-0000	4	End Cap
-	0017-00103-0323	1	Hardware: Nut 1/2" ID

## Rear Roller Cover Guards



Ref #	Part Number	Qty	Description
-	0017-00104-0334	2	Hardware: Flat Washers 0.880" OD
-	OK60-01085-0001	1	Roller Guard: Right
-	OK60-01085-0002	1	Roller Guard: Left
-	0017-00101-1779	2	Hardware: Rear Roller Adjusting Bolt

# Sensors



Ref #	Part Number	Qty	Description
-	OK60-01026-0000	1	Pulley: Poly-V; 1.634 OD C
-	OK60-01189-0000	1	Backer Plate
-	0017-00101-0333	2	Hardware: Screw 0.3125"
-	0017-00101-1017	1	Hardware: Leg Cover Screws
-	AK60-00093-0000	1	Speed Sensor without Bracket
-	AK60-00120-0002	1	Pulley: Sensor-Wheel/Pulley Assembly: Mfg C
-	OK60-01054-0001	1	Bracket
-	OK60-01051-0000	1	Sensor Wheel
-	AK60-00048-0001	1	OPTO Speed Sensor with Bracket
-	0017-00101-0776	1	Hardware: Mounting Screws

