

# SCIFIT TC1000 Climber

TC1002-INT

## Parts Manual

1/17/2019 12:33:10 PM

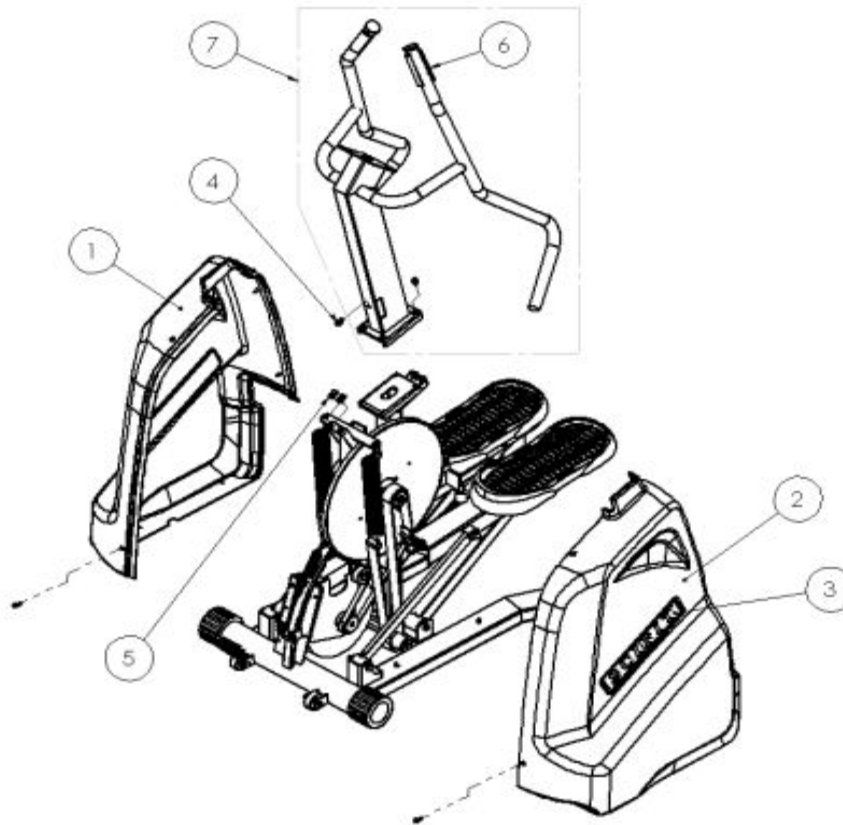


**Table of Contents**

---

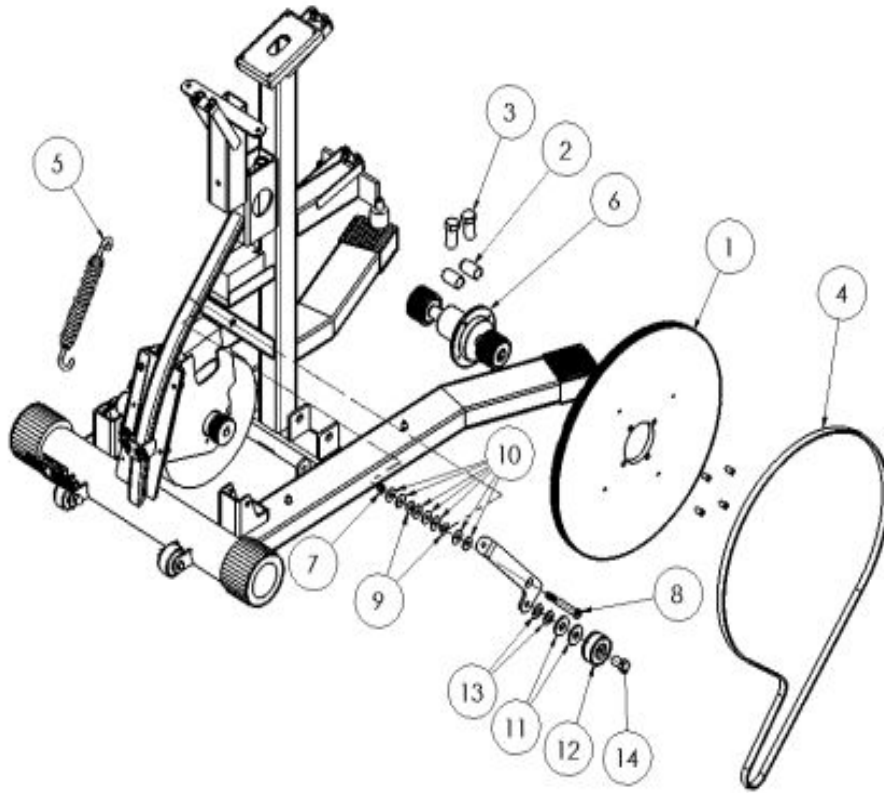
[Cover Assembly TC1002-INT.....](#)3  
[Fly Wheel Drive Assembly TC1002-INT.....](#)4  
[Main Frame Assembly TC1002-INT.....](#)5  
[Pedal Arm Mount Assembly TC1002-INT.....](#)6  
[Spring Assembly TC1002-INT.....](#)7  
[Wiring TC1002-INT Post 5-2013.....](#)8  
[Wiring TC1002-INT Pre 5-2013.....](#)9

**Cover Assembly TC1002-INT**



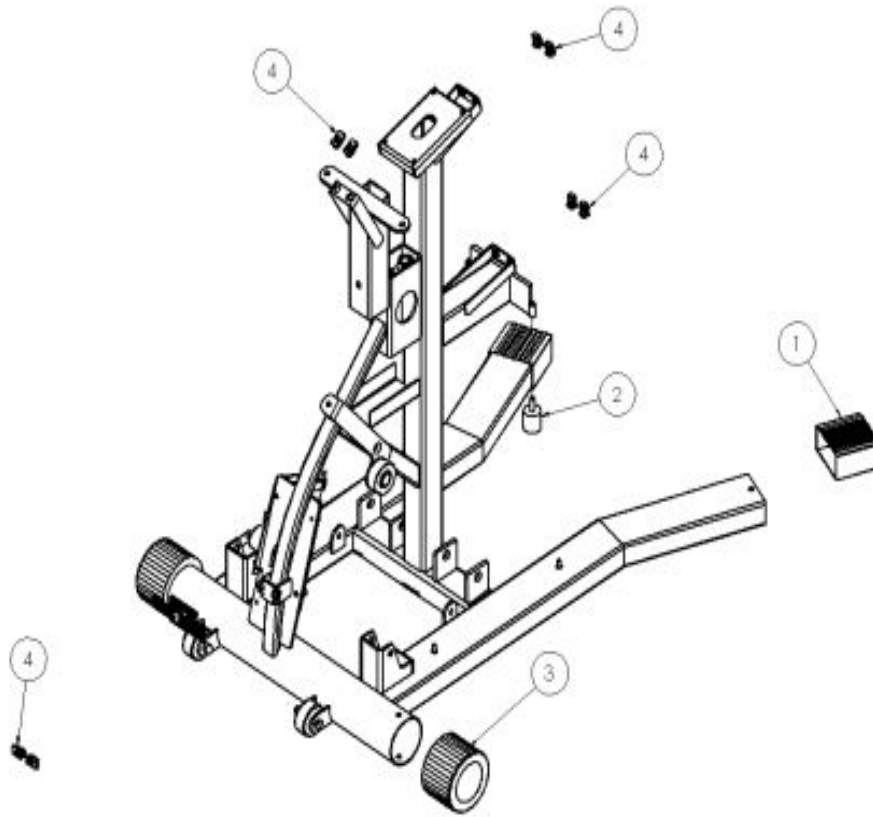
Ref #	Part Number	Qty	Description
1	P4711	1	Cover Side Right TC1002 V2
2	P4712	1	Cover Side Left TC1002 V2
3	P1100	2	DECAL SCIFIT 2.75 X 12
4	P3307	1	Cable Power Entry PRO
5	P5208	8	CLIP COVER TC1002
6	P2746	1	Grip HR Contact 1.5ID (1pr)
7	A4759-CH	1	ASSY UPPER HANDLEBAR TC1002

## Fly Wheel Drive Assembly TC1002-INT



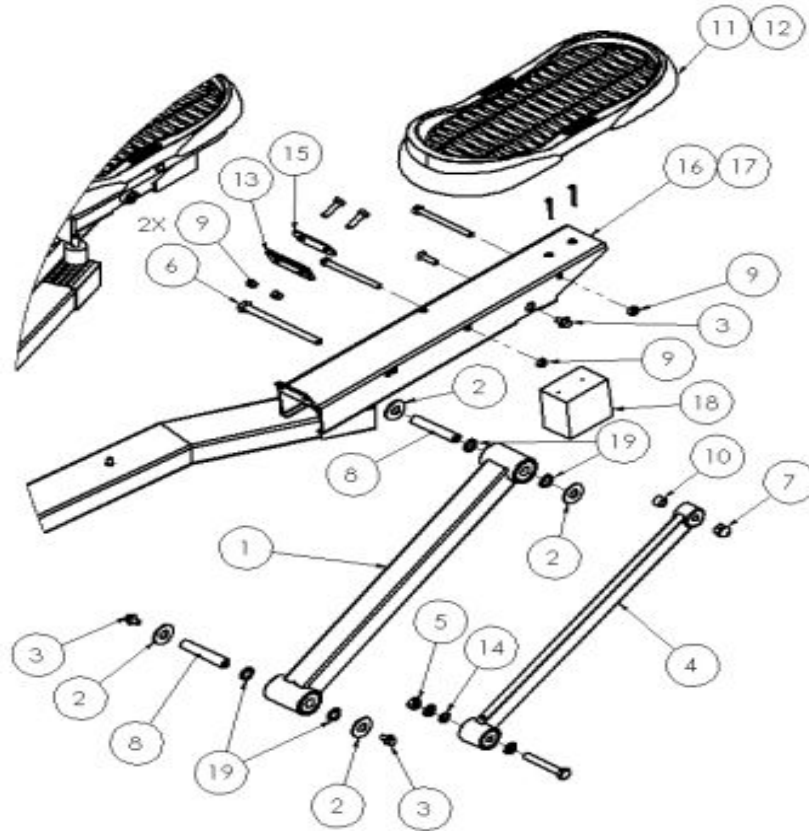
Ref #	Part Number	Qty	Description
12	P1388	1	Flywheel TC1000/TC1002
13	A5185	2	ROLL PIN ALIGNING TC/STEP 1
14	38784	2	HHCS M16-1.5 X 40MM
22	P4072	1	Belt Drive 69" 6-Rib TC1000/10
36	P4329	1	Spring Belt Tension Bracket TC
39	A4068	1	ASSY AXLE HUB W/ROLLER CLUTC

## Main Frame Assembly TC1002-INT



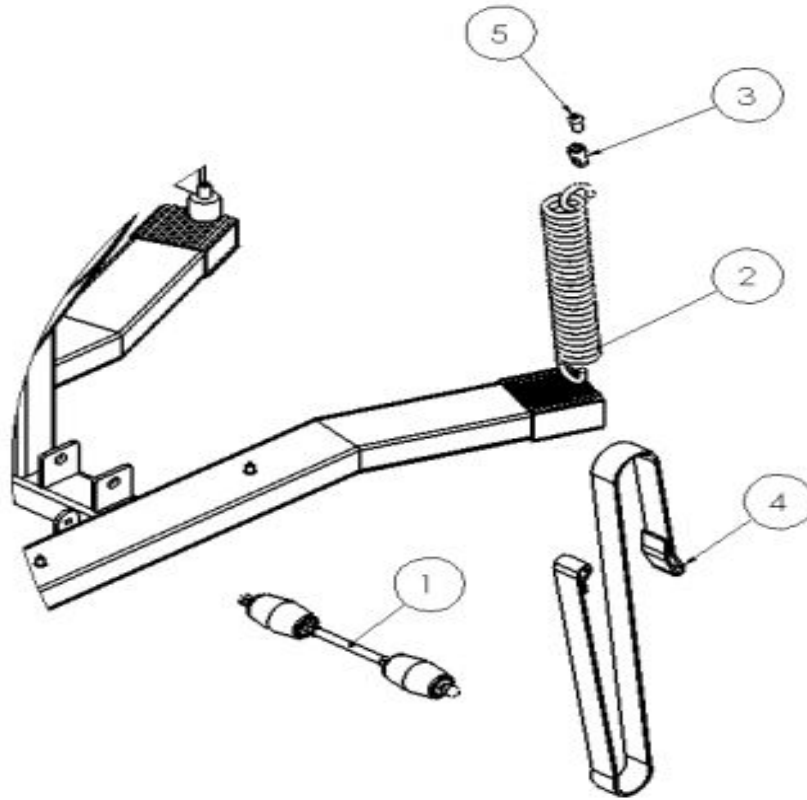
Ref #	Part Number	Qty	Description
1	A4761-CH	1	Weldment Charcoal LWR Main Body TC
21	P1831	1	Stop Rubber Upper TC1000
29	A1890	2	Cap Base 3" Adj. 65 Durometer
33	P5208	8	CLIP COVER TC1002

## Pedal Arm Mount Assembly TC1002-INT



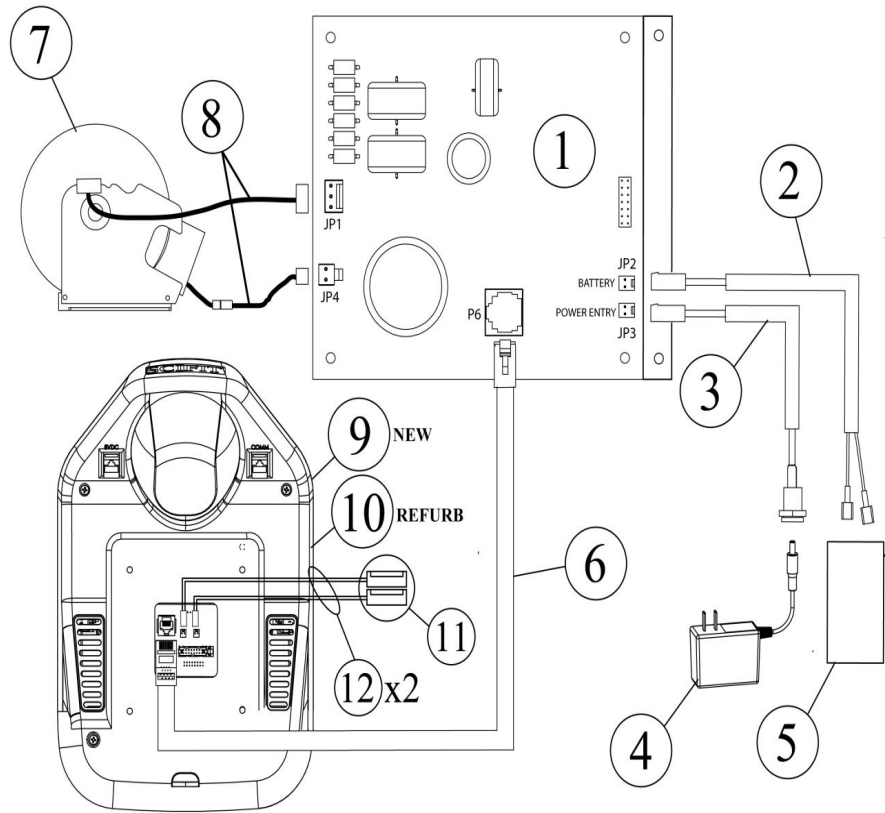
Ref #	Part Number	Qty	Description
1	A4971-CH	2	Arm Charcoal Connecting Inner
2	40360	8	WASHER M14 FLAT ZINC
3	11115615	6	BOLT FLANGE M8-1.25 X 12.5MM
4	A4970-CH	2	Arm Connecting Charcoal Outer
5	40167	2	NUT NYLON M10-1.5
6	38672	2	SCR:Screw, M10-1.5 x 140mm Zinc CS
7	90665	2	M10 Zinc Acorn Nut
8	A4937	4	SHAFT PIVOT INNER CONNECTING ARM
9	90681	10	NUT NYLOCK M8
10	A6343	2	Spacer Outer Conn. Arm CP TC10
11	S4851	1	KIT LH PEDAL W/FOOT PAD TC1002
12	S4852	1	KIT RH PEDAL W/FOOT PAD TC1002
13	S4766	2	Kit Belt/Clamp Upgrade TC1002
14	91361	2	WASHER M10 INTERNAL TOOTH
15	A4764	2	Plate Belt Clamp TC1002
16	P4714-CH	1	PEDAL ARM MOUNT CHARCOAL RH TC1
17	P4713-CH	1	PEDAL ARM MOUNT CHARCOAL LH TC1

## Spring Assembly TC1002-INT



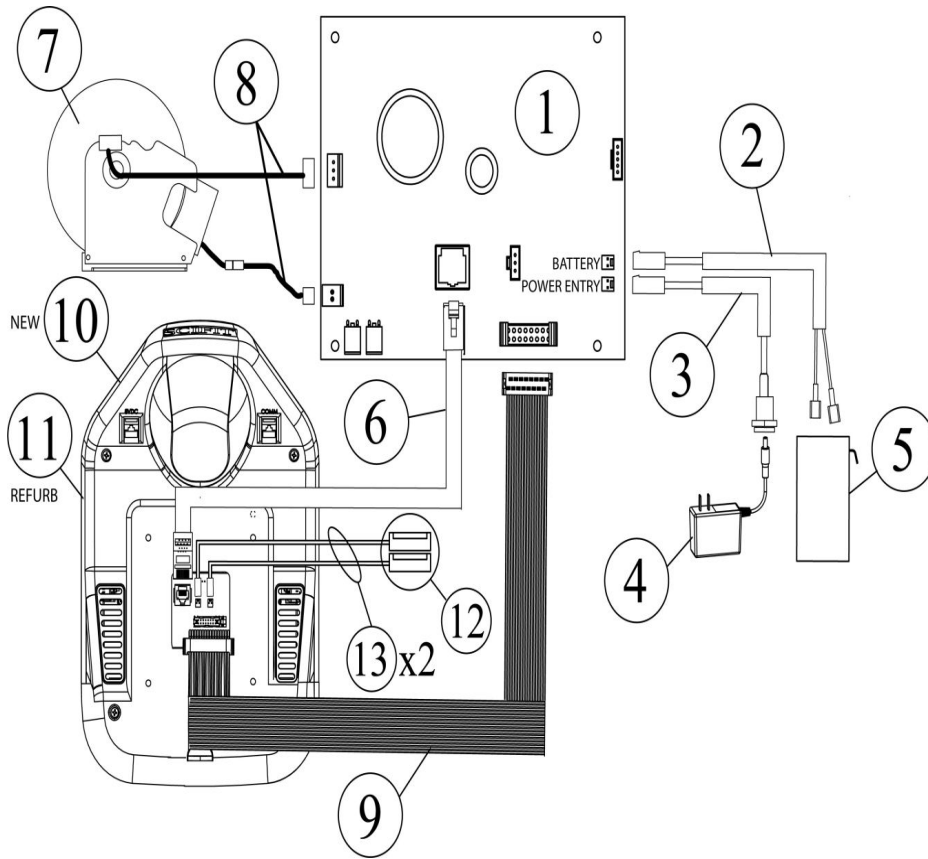
Ref #	Part Number	Qty	Description
1	P4069	1	ASSY ROLLER BELT PEDAL TC1000
2	P1365	2	Spring return pedal TC1000/TC1
3	A4768	2	LINK SPRING RETURN TC1000/1
4	S4766	2	Kit Belt/Clamp Upgrade TC1002

# Wiring TC1002-INT Post 5-2013



Ref #	Part Number	Qty	Description
1	A5361	1	Kit A5005 W/Mounting Bracket
2	P1833	1	Cable Battery Cordless
3	P3307	1	Cable Power Entry PRO
4	P4861	1	SCIFIT POWER SUPPLY AC ADAPTER WALL PACK 18V
5	P1564	1	Battery Rechargeable Cordless
6	P4744	1	Cable Comm 78" Intelli ISO1000
7	S1909	1	Kit Brake Climber/ PRO2 Medica
8	S4454	1	CABLES IND. BRAKE 3 & 2 PIN
9	A6627	1	NC Assy Console Rotary CHR OS
10	A6627R	1	NC ASSY, CNSL REFURB, TS, ROTARY CHR
11	P2746	1	Grip HR Contact 1.5ID (1pr)
12	P2775	2	Cable CHR HG 2177 51"

**Wiring TC1002-INT Pre 5-2013**



Ref #	Part Number	Qty	Description
1	S6189	1	Kit A5361 W/Tactile Firm PRE 5
2	P1833	1	Cable Battery Cordless
3	P3307	1	Cable Power Entry PRO
4	P4861	1	SCIFIT POWER SUPPLY AC ADAPTER WALL PACK 18V
5	P1564	1	Battery Rechargeable Cordless
6	P4744	1	Cable Comm 78" Intelli ISO1000
7	S1909	1	Kit Brake Climber/ PRO2 Medica
8	S4454	1	CABLES IND. BRAKE 3 & 2 PIN
9	A5190	1	Cable Assy Display 79" V2
10	S5197	1	Kit A4605/Strain Relief.Combo
11	S5198R	1	Kit A4605R/Strain Relief.Combo
12	P2746	1	Grip HR Contact 1.5ID (1pr)
13	P2775	2	Cable CHR HG 2177 51"

