

# Circuit Series Wheel Kit

TCWHL

## Parts Manual

1/5/2019 17:21:46 PM



**Table of Contents**

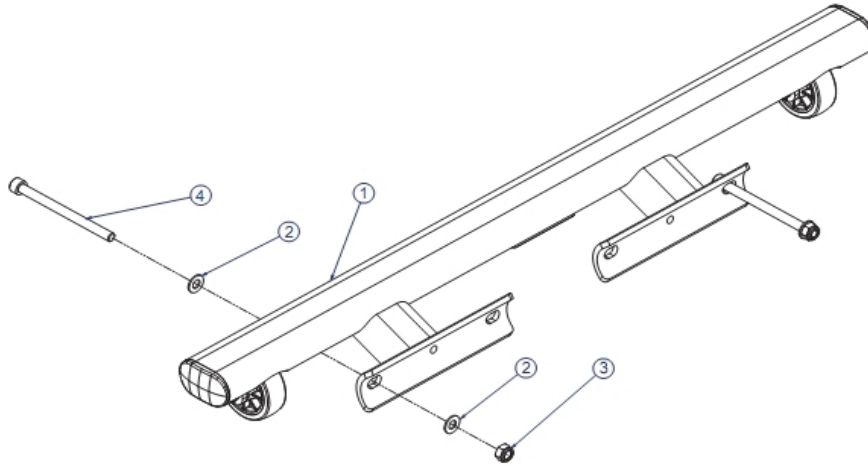
---

[Component Assembly](#).....3  
[Frame Assembly](#).....4

\*\* Upholstery & Frame Colors are listed at the end of the Parts Manual \*\*

## Component Assembly

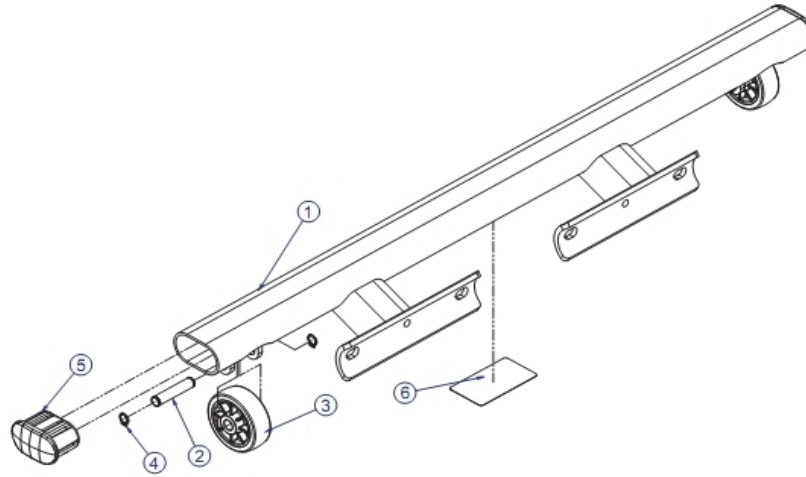
---



Ref #	Part Number	Qty	Description
1	8243599	1	ASSY, TCWHL, FRAME CUS
2	3102514	4	Hardware: Flat Washer 3/8" ID
3	LEA3242002	2	Hardware: Hex Nut 10MM D
4	3236220	2	Hardware: Screw 130MM

\*\* Upholstery and Frame Colors are list at the end of the Parts Manual \*\*

## Frame Assembly



Ref #	Part Number	Qty	Description
1	8243499	1	WLDMT, TCWHL, FRAME CUS
2	8254001	2	Axle TCWHL
3	0K59-01164-0000	2	Wheel: 3.0 OD X .50 ID Overmold
4	3243902	4	Ring12 MM
5	7800501	2	Small Cap
6	7571301	1	Label Serial Number
-	8243501	1	STRENGTH CIRCUIT WHEEL KIT

\*\* Upholstery and Frame Colors are list at the end of the Parts Manual \*\*

# Frame and Upholstery Color Chart

## Frame Colors



Note: Include frame color in order notes when ordering frame assemblies or weldments.

## Upholstery Colors



Replace '99' with the above color suffix when ordering pads (i.e. 7412399 = 7412301 BLACK)

