

T3500 Treadmill

TR35-0000-11

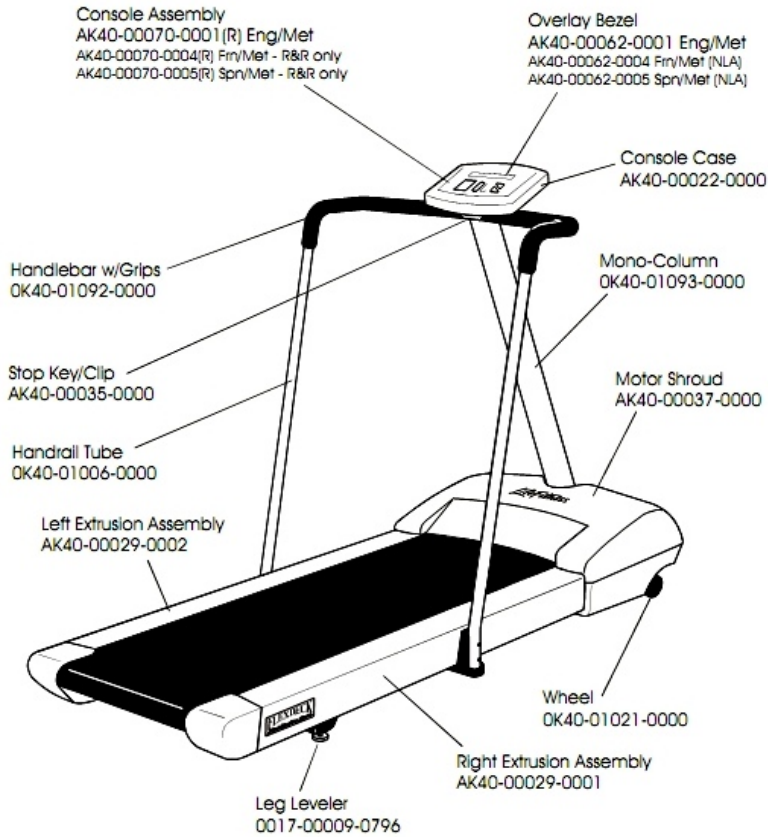
Parts Manual

1/5/2019 17:23:08 PM

Table of Contents

Component 1	3
Component 2	4
Component 3	5

Component 1

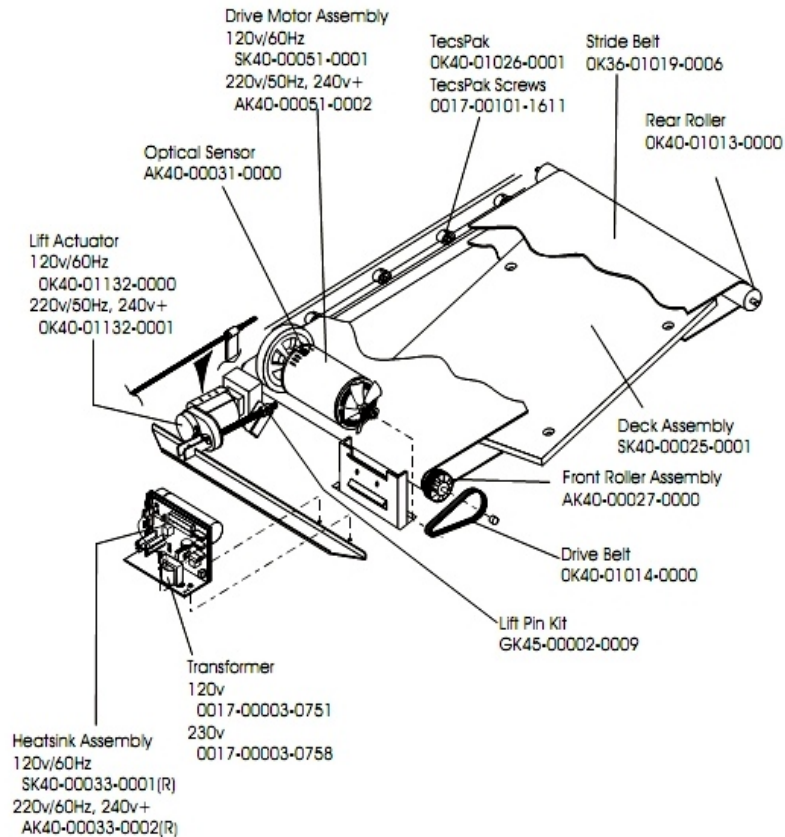


Ref #	Part Number	Qty	Description
-	AK40-00022-0000	1	NLA: CLOSURE-ADAPTER ASSY: PURCH. D
-	OK40-01021-0000	1	Wheel: Lift; 2.5 O.D. B
-	AK40-00062-0001	1	NLA: OVERLAY/BZL/SW: PURCH; EN+MT D
-	AK40-00070-0001	1	NC "R & R": CONS-ASSY: MFGENG+METS/C-D
-	AK40-00035-0000	1	Stop-Key And Clip Assembly: Mfg. C
-	AK40-00037-0000	1	MOTOR-COVER ASSY: MFG;TR3500 C
-	OK40-01093-0000	1	MONOCOLUMN: GREY-WRINKLE;S/C-C
-	OK40-01006-0000	1	TUBE: HANDRAIL; GREY S/C-D
-	AK40-00029-0002	1	EXTR-ASSY: MFG; LT; TR3500 C
-	AK40-00029-0001	1	EXTR-ASSY: MFG; RT; TR3500 C
-	0017-00009-0796	1	Leg Leveler
-	OK40-01092-0000	1	HANDLEBAR: W/GRIPS; GREY;S/C-D

Component 2

Ref #	Part Number	Qty	Description
-	0017-00101-1159	1	Hardware: 10- X 8 PHI PAN 25 ST BZ B
-	0017-00032-0191	1	Safety Switch Tab
-	0K40-01095-0001	1	Accessory: Tray: Access; Black 2-Sheet E
-	AK40-00052-0000	1	ON/OFF Switch
-	AK40-00026-0000	1	EXTRUSION-ASSY: VINYL; MFG. B
-	AK40-00017-0000	1	Cable-Assembly: Display-Console C
-	SK40-00045-0001	1	Polar HR Kit
-	0017-00103-0197	1	Hardware: Nut 1/2 - Push CA BP D ST NO B
-	0017-00042-0801	1	Dual-Lock: 1"W; 400-Stems B
-	0017-00101-1239	1	Hardware: 6-20X10 PHL PAN B ST BZ B
-	0017-00101-1319	1	Hardware: 10-20X40 PHL PAN AB ST BZ B
-	0017-00101-0815	1	Hardware: 1/4 - X16 PHL TRS AB ST ZN B
-	0017-00042-0802	1	Dual-Lock: 1"W; 170-Stems A
-	GK40-00002-0006	1	KIT: SERV; MFG; POLAR/RCVR;BLK-TRAY;MFG.E
-	0K40-01034-0000	1	Mount: Handrail; Dark-Grey, S/C-D
-	FK40-00002-0005	2	NLA: /INUED---KIT: SERV; ENDCAPS W/HRDWR BM
-	AK36-00013-0000	1	Line-Cord Assembly: Domestic. Purchased B
-	0K40-01089-0000	1	Spacer: Wedge: Monocolumn B
-	0017-00101-1033	1	Hardware: 10- X 6 PHL PAN AB ST BZ B
-	0017-00101-1309	1	Hardware: 10- X32 PHI PAN AB ST BZ B
-	AK40-00039-0002	1	NLA: -VENT-COVER ASSY: GREY; MFG. C
-	0017-00101-1096	1	Hardware: Spring Mounting Screw

Component 3



Ref #	Part Number	Qty	Description
-	AK36-00025-0000	1	Cable-Assembly: Home-Switch B
-	AK40-00027-0000	1	Front-Roller Assembly: Mfg. B
-	OK40-01013-0000	1	Roller: Rear; Idler D
-	0017-00003-0751	1	Transformer: Power; Domestic 2-Sheet C
-	AK40-00031-0000	1	Speed-Sensor with Bracket Assembly; Mfg. B
-	0017-00032-0178	1	Home Switch
-	0017-00101-1611	1	Hardware: Insert Screw
-	GK45-00002-0009	1	Kit: Serv; Actuator-Pin BM
-	SK40-00033-0001	1	NLA: R&R ONLY-KIT: SERV; HEATSINK/CONTROL BM
-	OK40-01132-0000	1	Actuator: Lift; Domestic S/C-D
-	OK36-01019-0006	1	Belt: Walking; Siegling C
-	SK40-00051-0001	1	Kit: Serv; Motor; 120/60 BM
-	OK40-01014-0000	1	Belt: Poly-V; 180J8; 18.00" B
-	SK40-00025-0001	1	Kit: Serv; Deck-Assembly; Mfg. BM
-	OK40-01026-0001	1	Spring: Tecspak, Black S/C-B

