

TR4500HR Treadmill

TR45-0000-09

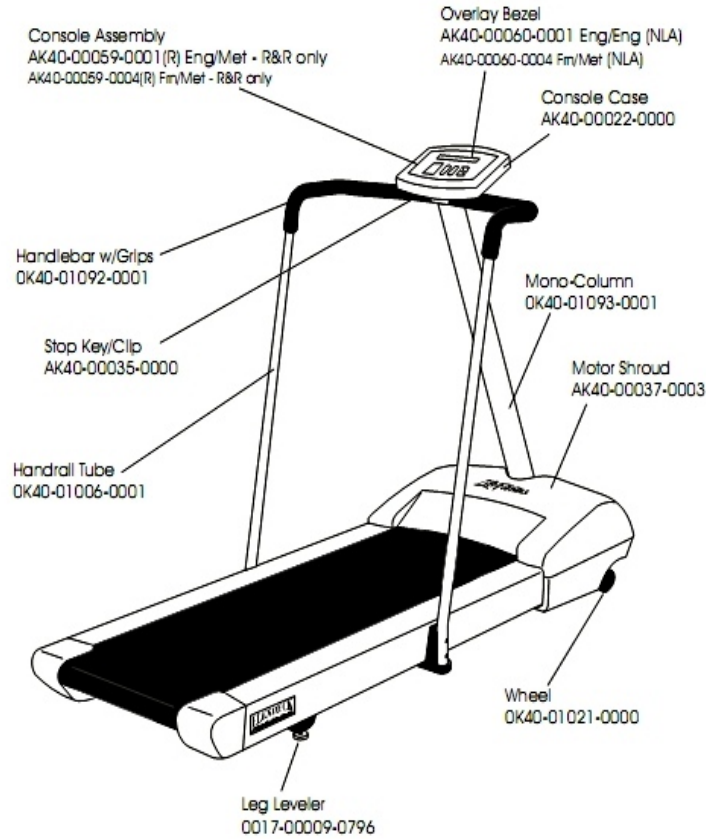
Parts Manual

1/5/2019 17:24:38 PM

Table of Contents

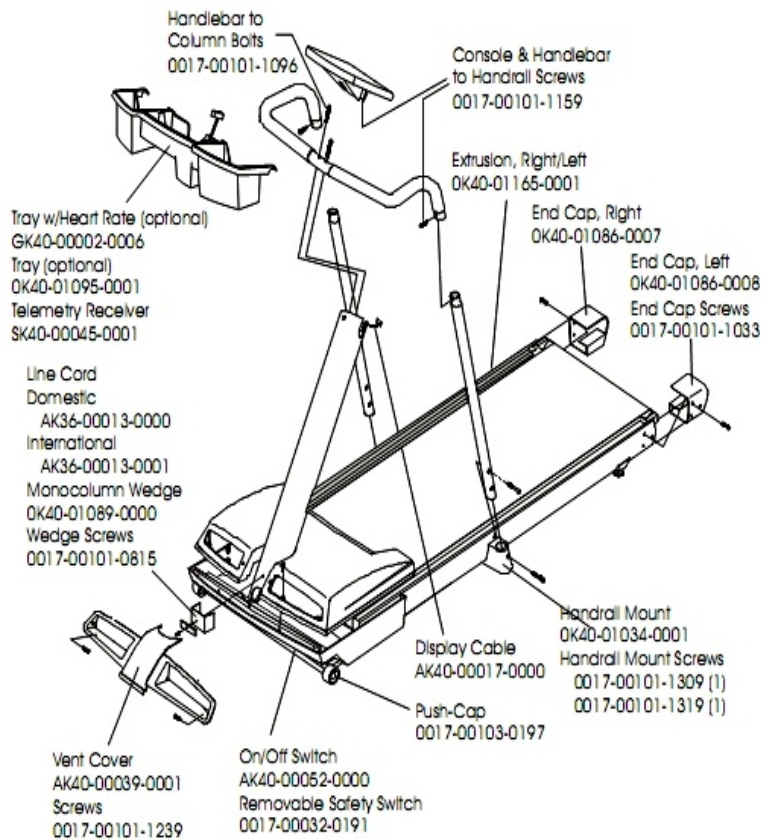
[Component 1](#).....3
[Component 2](#).....4
[Component 3](#).....5

Component 1



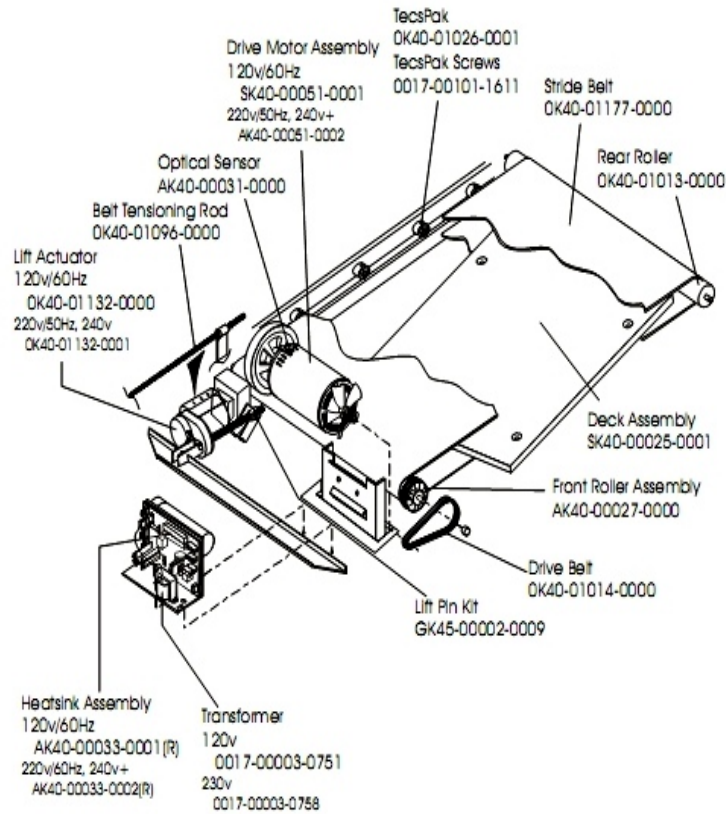
Ref #	Part Number	Qty	Description
-	OK40-01006-0001	1	NLA: TUBE HANDRAIL BLACK S/C-D
-	OK40-01021-0000	1	Wheel: Lift; 2.5 O.D. B
-	OK40-01093-0001	1	NLA MONOCOLUMN: BLK-WRINKLE; S/C-C
-	AK40-00060-0001	1	NLA: OVERLAY/BZL/SW: PURCH; EN+MT D
-	OK40-01092-0001	1	HANDLEBAR: W/GRIPS; BLK; S/C-D
-	0017-00009-0796	1	Leg Leveler
-	AK40-00035-0000	1	Stop-Key And Clip Assembly: Mfg. C
-	AK40-00037-0003	1	NLA: -MOTOR-COVER ASSY: MFG;TR4500 C
-	AK40-00059-0001	1	CONS-ASSY: MFG; TR-4500; ENG/ENG D
-	AK40-00022-0000	1	NLA: CLOSURE-ADAPTER ASSY: PURCH. D

Component 2



Ref #	Part Number	Qty	Description
-	OK40-01095-0001	1	Accessory: Tray: Access; Black 2-Sheet E
-	OK40-01086-0007	1	NLA: ENDCAP: RT; BLACK S/C-D
-	AK40-00052-0000	1	ON/OFF Switch
-	AK40-00017-0000	1	Cable-Assembly: Display-Console C
-	SK40-00045-0001	1	Polar HR Kit
-	0017-00103-0197	1	Hardware: Nut 1/2 - Push CA BP D ST NO B
-	0017-00101-1239	1	Hardware: 6-20X10 PHL PAN B ST BZ B
-	0017-00101-1319	1	Hardware: 10-20X40 PHL PAN AB ST BZ B
-	0017-00101-0815	1	Hardware: 1/4 - X16 PHL TRS AB ST ZN B
-	GK40-00002-0006	1	KIT: SERV; MFG; POLAR/RCVR;BLK-TRAY;MFG.E
-	AK40-00039-0001	1	NLA: VENT-COVER ASSY: BLACK; MFG. C
-	AK36-00013-0000	1	Line-Cord Assembly: Domestic. Purchased B
-	OK40-01089-0000	1	Spacer: Wedge: Monocolumn B
-	OK40-01086-0008	1	NLA: ENDCAP: LT; BLACK S/C-D
-	OK40-01034-0001	1	Mount: Handrail; Black; S/C-D
-	0017-00101-1033	1	Hardware: 10- X 6 PHL PAN AB ST BZ B
-	0017-00101-1309	1	Hardware: 10- X32 PHI PAN AB ST BZ B
-	0017-00101-1096	1	Hardware: Spring Mounting Screw
-	OK40-01165-0001	1	NLA: /EXTRUSION: TOP; RT+LT D
-	0017-00101-1159	1	Hardware: 10- X 8 PHI PAN 25 ST BZ B
-	0017-00032-0191	1	Safety Switch Tab

Component 3



Ref #	Part Number	Qty	Description
-	OK40-01013-0000	1	Roller: Rear; Idler D
-	OK40-01096-0000	1	NLA: ROD: BELT-TENSIONING B
-	0017-00003-0751	1	Transformer: Power; Domestic 2-Sheet C
-	SK40-00051-0001	1	Kit: Serv; Motor; 120/60 BM
-	AK40-00031-0000	1	Speed-Sensor with Bracket Assembly; Mfg. B
-	OK40-01132-0000	1	Actuator: Lift; Domestic S/C-D
-	AK36-00025-0000	1	Cable-Assembly: Home-Switch B
-	OK40-01014-0000	1	Belt: Poly-V; 180J8; 18.00" B
-	OK40-01026-0001	1	Spring: Tecspak, Black S/C-B
-	SK40-00025-0001	1	Kit: Serv; Deck-Assembly; Mfg. BM
-	AK40-00027-0000	1	Front-Roller Assembly: Mfg. B
-	0017-00101-1611	1	Hardware: Insert Screw
-	OK40-01177-0000	1	Belt: Walking; 17"; Black C
-	AK40-00033-0001	1	USE/ AK40-00033-0001R: NC "R & R": HEATSINK/CNTRL ASY: MFG; DOM D
-	0017-00032-0178	1	Home Switch
-	GK45-00002-0009	1	Kit: Serv; Actuator-Pin BM

