

TR5500HR Treadmill

TR55-0120-08

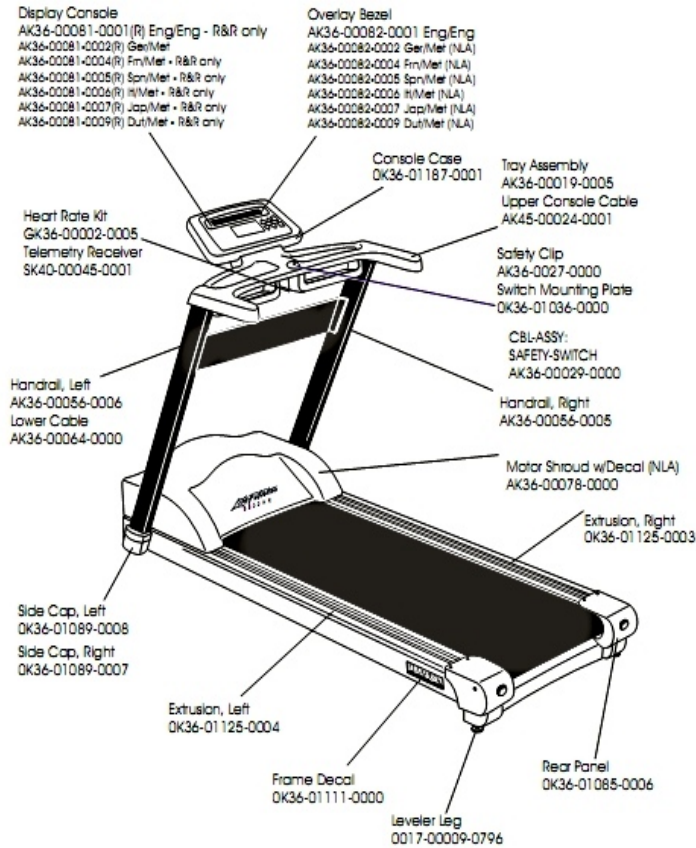
Parts Manual

1/5/2019 17:27:30 PM

Table of Contents

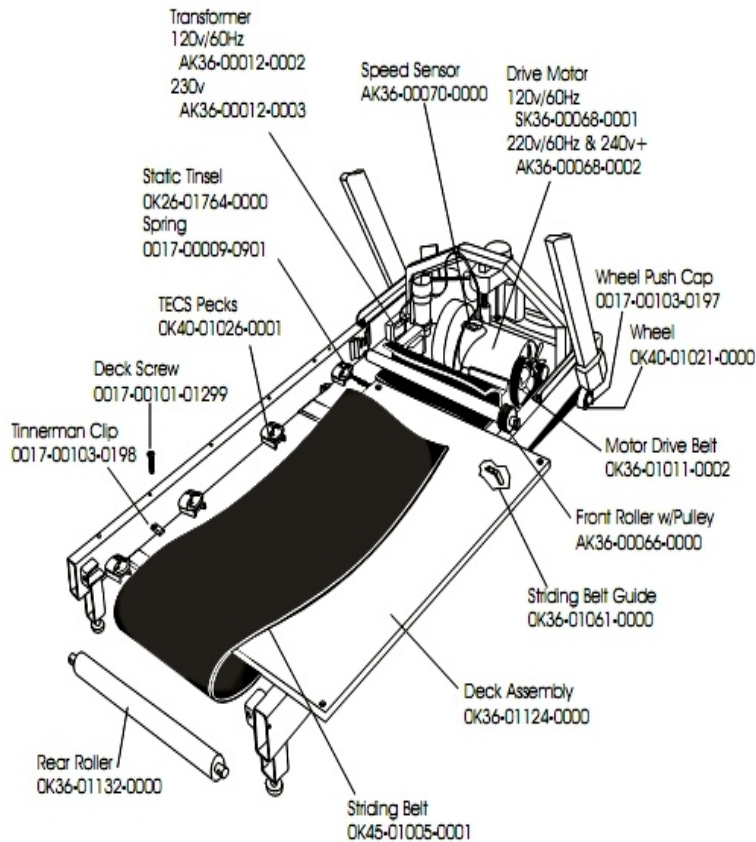
Component 1	3
Component 2	4
Component 3	5

Component 1



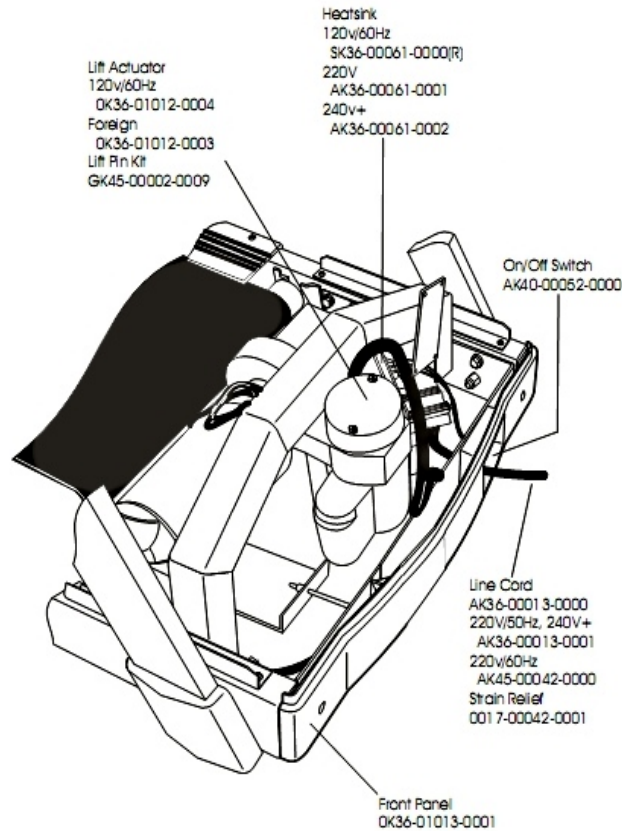
Ref #	Part Number	Qty	Description
-	OK36-01111-0000	1	Decal: Bottom-Rail C
-	OK36-01125-0004	1	Extrusion: Top, Left; Black; S/C-D
-	OK36-01089-0007	1	NLA: SIDE-CAP: RT. D
-	0017-00009-0796	1	Leg Leveler
-	AK45-00024-0001	1	Cable-Assembly: Upper-Console C
-	AK36-00064-0000	1	Cable-Assembly: Display/Console/Control C
-	AK36-00082-0001	1	NLA: BZL/SW W/OVERLAY: MFG;ENG+MT D
-	AK36-00027-0000	1	Clip-Assembly: Mfg. C
-	OK36-01187-0001	1	Console Case
-	OK36-01036-0000	1	Plate: Switch-MTG. C
-	AK36-00029-0000	1	Cable-Assembly: Safety-Switch B
-	AK36-00099-0000	1	MOTOR-SHROUD ASSY: MFG; TR5500 BM
-	GK36-00002-0005	1	Kit: Serv; Polar Trans/RCVR BM
-	OK36-01085-0006	1	Endcap: Rear S/C-E
-	AK36-00081-0001R	1	Console-Assembly; TR55HR; EM
-	AK36-00056-0005	1	NLA: HANDLE-ASSY: MFG; RT. S/C-D
-	AK36-00019-0006	1	NLA: CNTRL-PNL ASSY: MFG; S/C-E
-	OK36-01125-0003	1	Extrusion: Top, Right; Black; S/C-D
-	AK36-00056-0006	1	NLA: HANDLE-ASSY: MFG; LT. S/C-D
-	OK36-01089-0008	1	NLA: SIDE-CAP: LT. D
-	SK40-00045-0001	1	Polar HR Kit

Component 2



Ref #	Part Number	Qty	Description
-	OK40-01026-0001	1	Spring: Tecspak, Black S/C-B
-	SK36-00068-0001	1	Kit: Serv; DRV-MTR 1.5HP BM
-	0017-00103-0197	1	Hardware: Nut 1/2 - Push CA BP D ST NO B
-	OK36-01011-0002	1	Belt: Drive; 17" B
-	AK36-00012-0002	1	Transformer-Assembly: Domestic; Purchased; 2-Sheet C
-	0017-00101-1775	1	Hardware: Deck Screws 1.25"
-	0017-00009-0901	1	Tinsel Extension Spring
-	0017-00103-0198	1	Hardware: Tinnerman Clip 1/4" ID
-	OK36-01132-0000	1	Roller: Idler; Rear D
-	OK36-01061-0000	1	NLA: GUIDE: BELT B
-	OK36-01124-0000	1	Deck: Non-Compliant D
-	OK40-01021-0000	1	Wheel: Lift; 2.5 O.D. B
-	OK26-01764-0000	1	Anti-Static Tinsel
-	AK36-00066-0000	1	NLA: /DRIVE-PULLEY ASSY: FRNT;MFG. B
-	OK45-01005-0001	1	Belt: Walking; Black; with Logo C
-	AK36-00070-0001	1	Speed-Sensor with Bracket Assembly; Mfg B

Component 3



Ref #	Part Number	Qty	Description
-	AK36-00013-0000	1	Line-Cord Assembly: Domestic. Purchased B
-	0017-00032-0178	1	Home Switch
-	OK36-01013-0000	1	NLA: PANEL: FRONT
-	AK40-00052-0000	1	ON/OFF Switch
-	GK45-00002-0009	1	Kit: Serv; Actuator-Pin BM
-	AK36-00025-0000	1	Cable-Assembly: Home-Switch B
-	SK36-00061-0000	1	NC "R & R": HEATSINKDOM BM
-	OK36-01012-0004	1	NLA: ACTUATOR: LINEAR; 120V D
-	0017-00042-0001	1	Clamp: Cable; 1/8" S/C#03-B

