

TR9000HR Treadmill - 3HP DC - Lifepulse

TR90-0120-14

Parts Manual

1/5/2019 17:30:24 PM

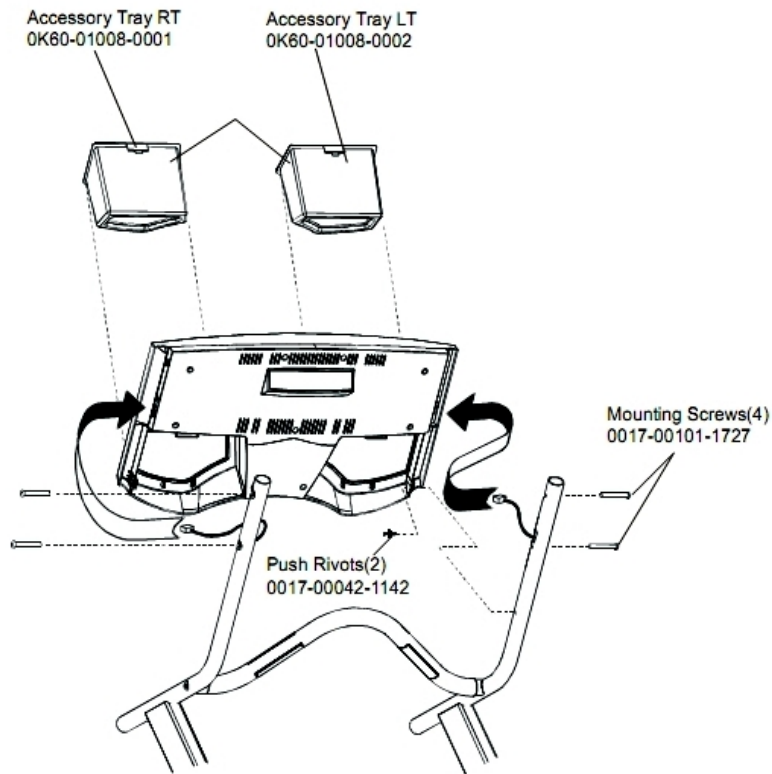


Lifefitness
WHAT WE LIVE FOR

Table of Contents

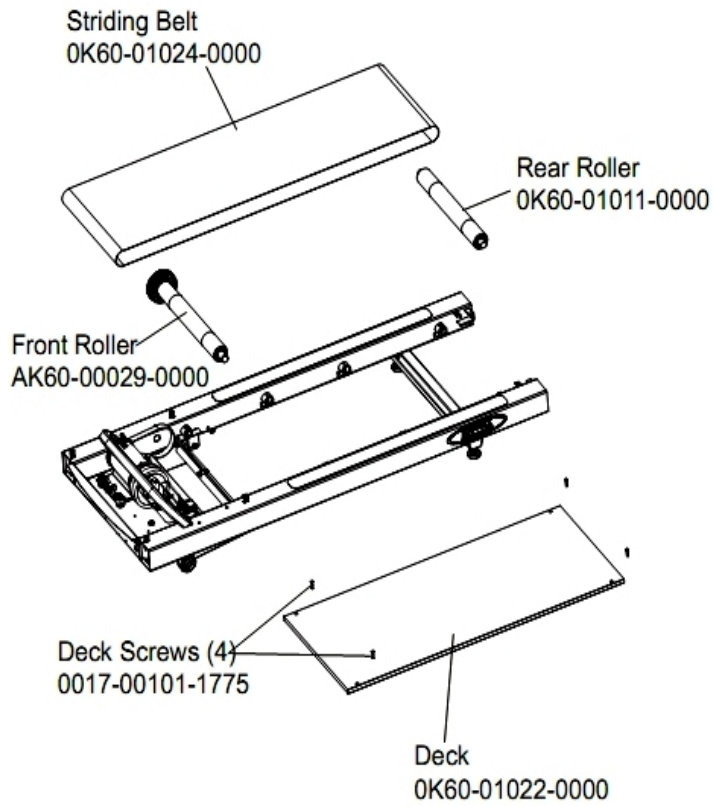
Accessory Trays	3
Belt, Deck and Rear Rollers	4
Cables	5
Console Assembly 1	6
Console Assembly 2	7
Console Assembly 3	8
Drive Motor Assembly	9
DC Controller and On/Off Switch	10
Ergo Bar and Upright Assembly	11
Lifesprings and Anti-Static Tinsel	12
Lift Frame Assembly	13
Lift Motor and Home Switch	14
Line Filter Assembly and Line Cord	15
Motor Cover, Leveler and End Caps	16
Rear Roller Guards	17
Sensors	18
Wax Motor, Wax Bag, Wax Nozzle and Bracket	19

Accessory Trays



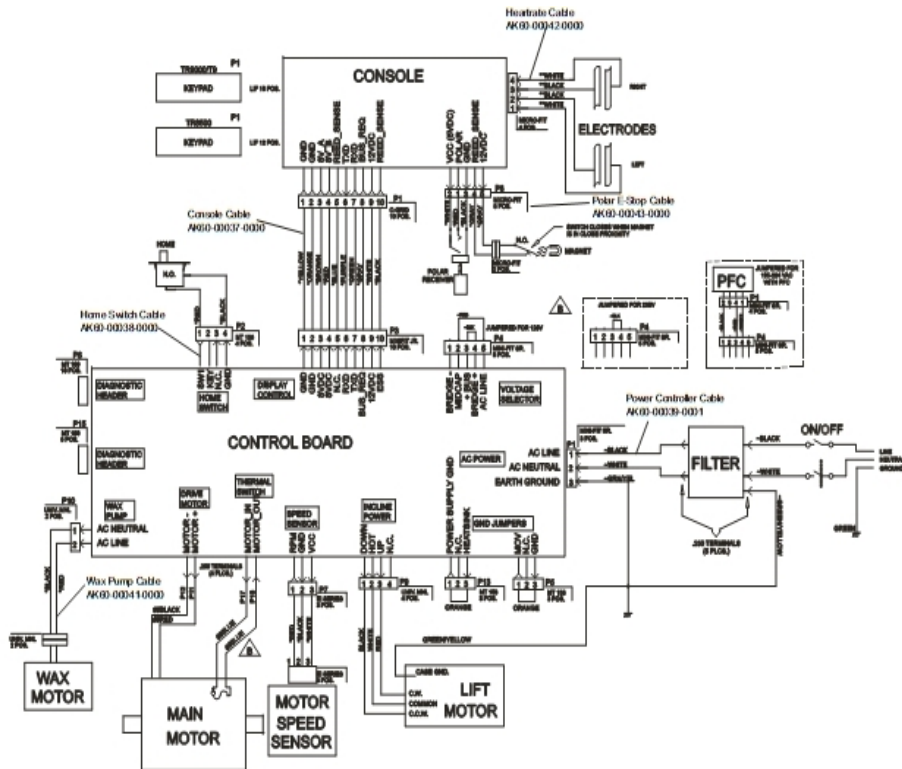
Ref #	Part Number	Qty	Description
-	0K60-01008-0001	1	Accessory Tray Right
-	0017-00101-1727	4	Hardware: Mounting Screw
-	0K60-01008-0002	1	Accessory Tray Left
-	0017-00042-1142	2	Push Rivets

Belt, Deck and Rear Rollers



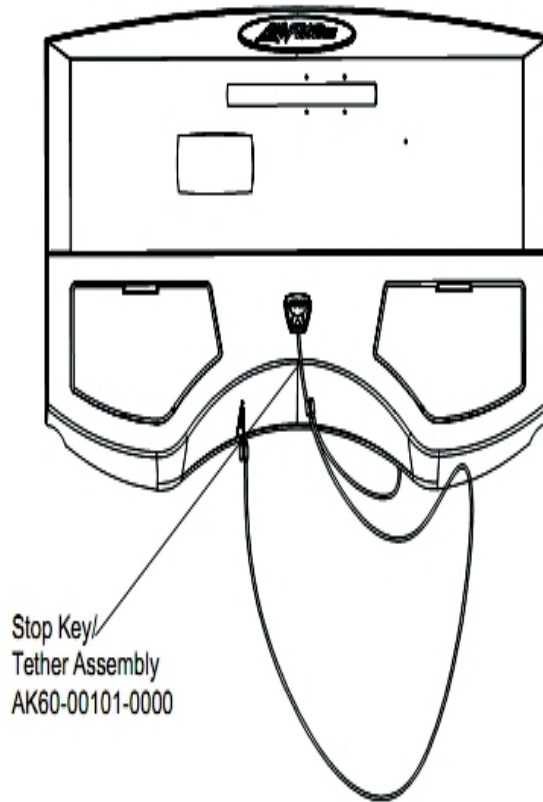
Ref #	Part Number	Qty	Description
-	0017-00101-1775	4	Hardware: Deck Screws 1.25"
-	OK60-01022-0000	1	Deck
-	OK60-01011-0000	1	Rear Roller
-	AK60-00029-0000	1	Front Roller Assembly
-	OK60-01024-0000	1	Striding Belt

Cables



Ref #	Part Number	Qty	Description
-	AK60-00039-0000	1	Power Controller Cable
-	AK60-00041-0000	1	Wax Pump Cable
-	AK60-00037-0000	1	Console Cable
-	AK60-00043-0000	1	Polar E-Stop Cable
-	AK60-00042-0000	1	Heart Rate Cable
-	AK60-00038-0000	1	Home Switch Cable

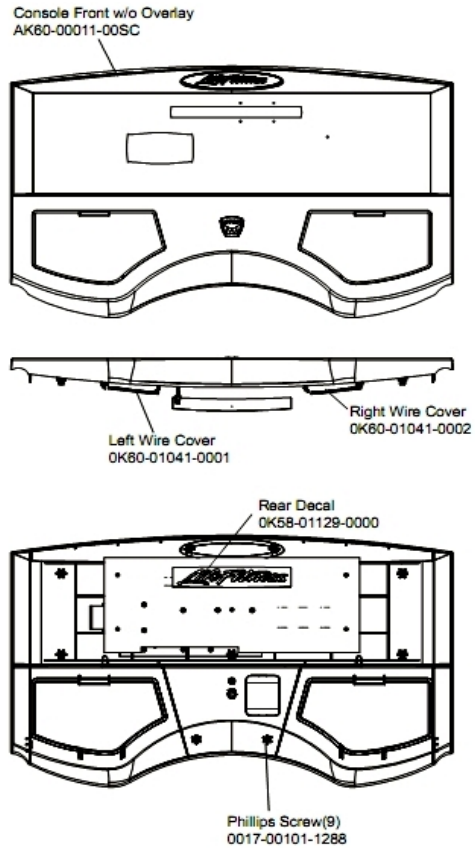
Console Assembly 1



Stop Key/
Tether Assembly
AK60-00101-0000

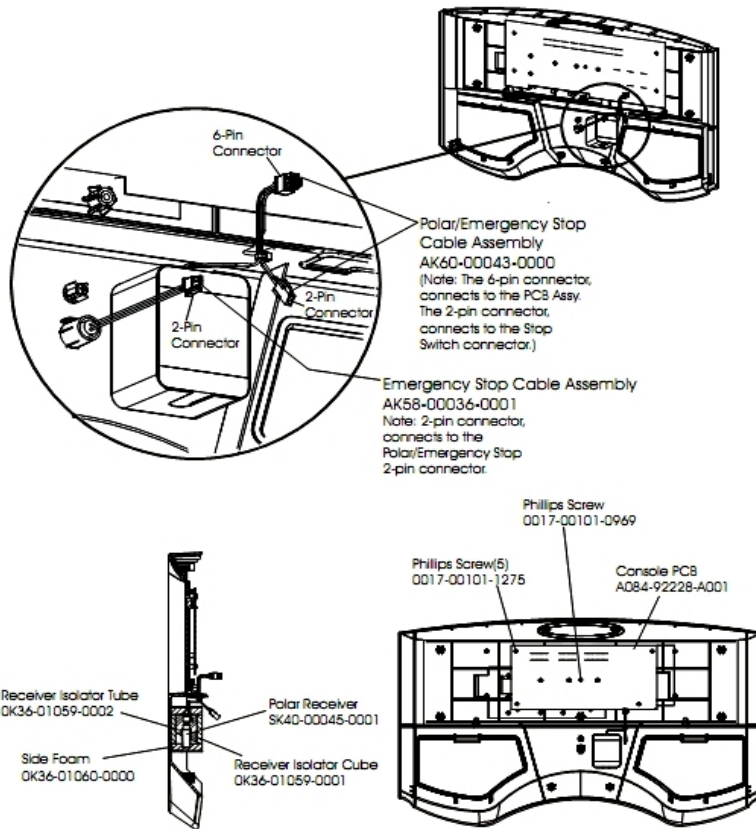
Ref #	Part Number	Qty	Description
-	AK60-00101-0000	1	Stop Key Tether Assembly
-	AK60-00011-0001	1	Overlay/Bezel: English/Metric
-	AK60-00014-0001	1	Console: English/Metric

Console Assembly 2



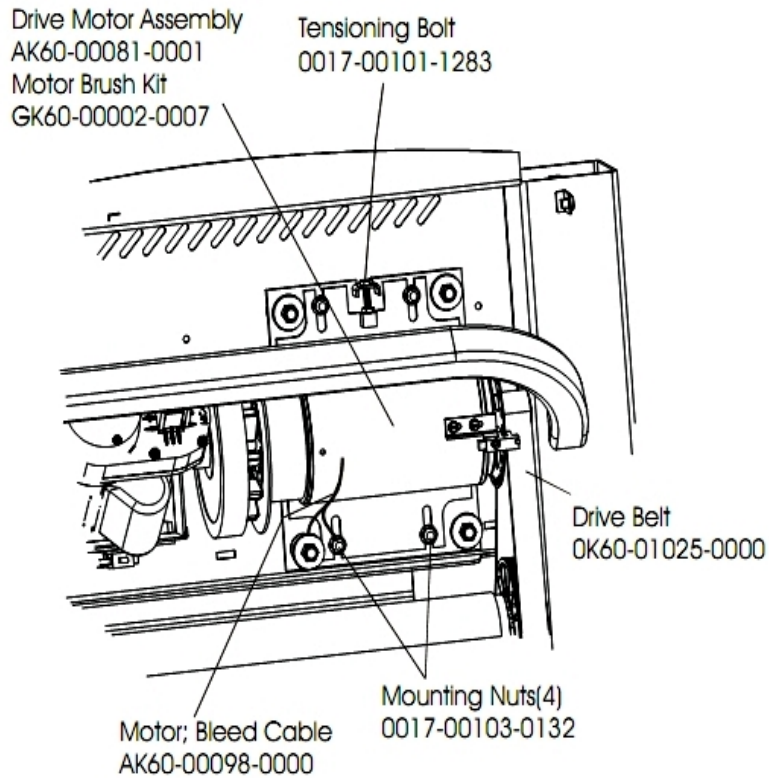
Ref #	Part Number	Qty	Description
-	0017-00101-1288	9	Hardware: Phillips Screw 0.5"
-	OK60-01041-0001	1	Left Wire Cover
-	OK60-01041-0002	1	Right Wire Cover
-	OK58-01129-0000	1	Rear Console Decal

Console Assembly 3



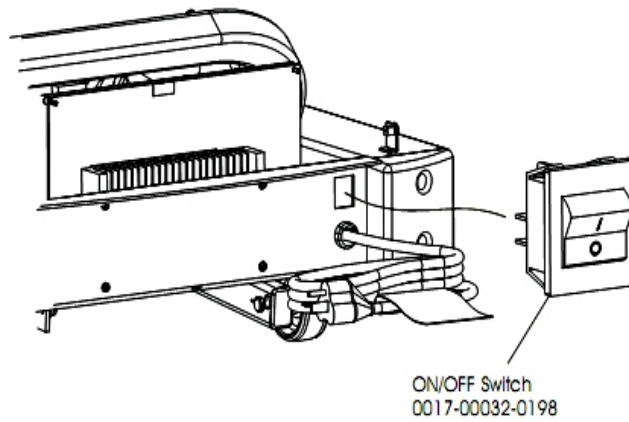
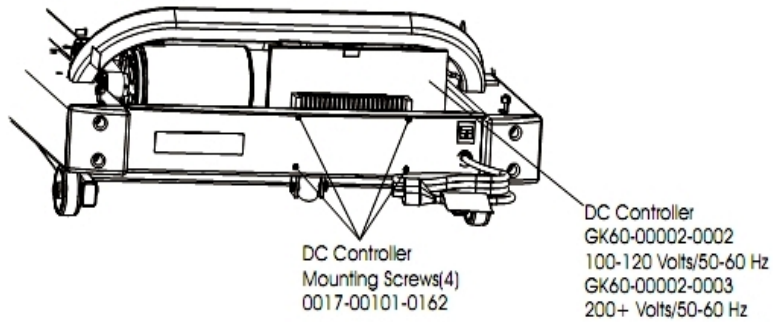
Ref #	Part Number	Qty	Description
-	0017-00101-1275	5	Hardware: Phillips Screw 0.375"
-	AK58-00036-0000	1	Cable-Assembly: Emergency-Stop Switch
-	AK60-00043-0000	1	Polar E-Stop Cable
-	OK36-01060-0000	1	Side Foam
-	SK40-00045-0001	1	Polar HR Kit
-	0017-00101-0969	1	Hardware: Phillips Screw
-	OK36-01059-0001	1	Isolator Receiver Cube
-	OK36-01059-0002	1	Insulator Receiver Tube
-	A084-92228-A001	1	Console PCB

Drive Motor Assembly



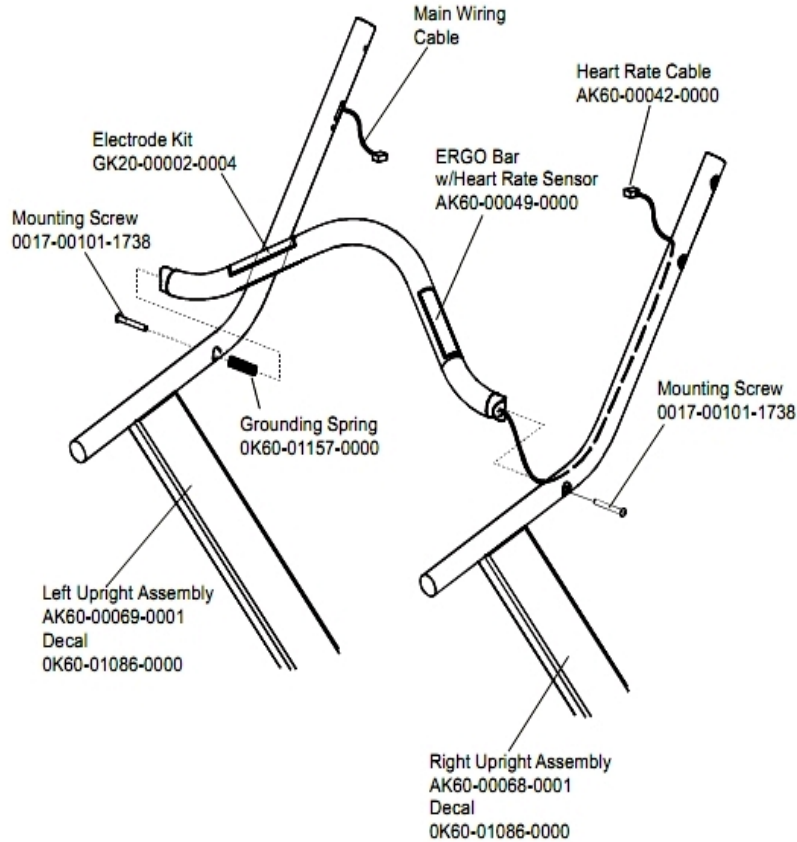
Ref #	Part Number	Qty	Description
-	GK60-00002-0007	1	Motor Brush Kit
-	0017-00103-0132	4	Hardware: Mounting Nut
-	GK60-00002-0015	1	Kit: Activate Treadmill Belt And Pulley
-	0017-00101-1283	1	Hardware: Tensioning Bolt
-	AK60-00098-0000	1	Current Limit Wires
-	AK60-00081-0001	1	Drive Motor Assembly

DC Controller and On/Off Switch



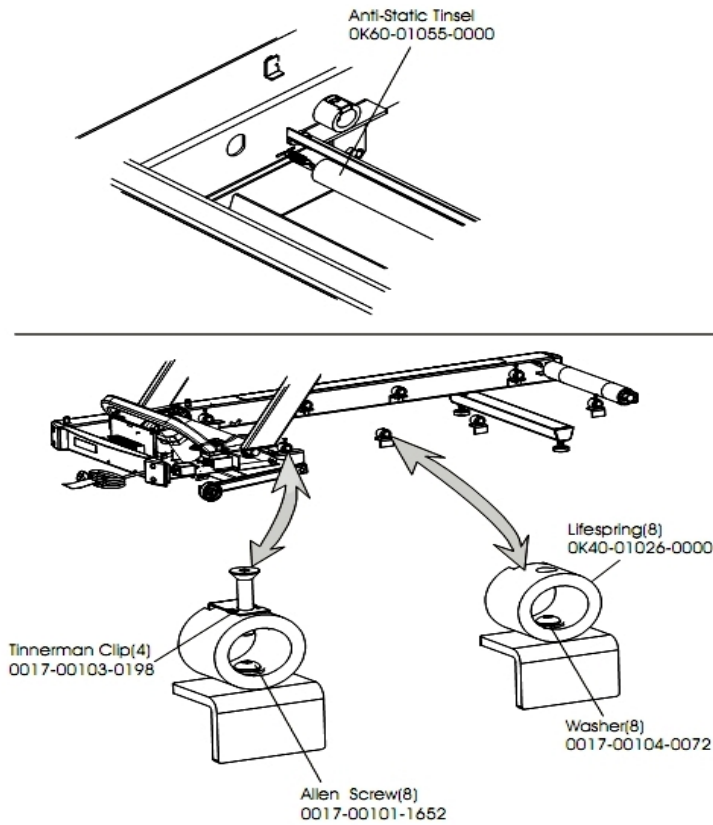
Ref #	Part Number	Qty	Description
-	0017-00032-0198	1	On/Off Switch 22A
-	GK60-00002-0002	1	DC Controller (100-120 Volts)
-	0017-00101-0162	4	Hardware: Screw 0.375"

Ergo Bar and Upright Assembly



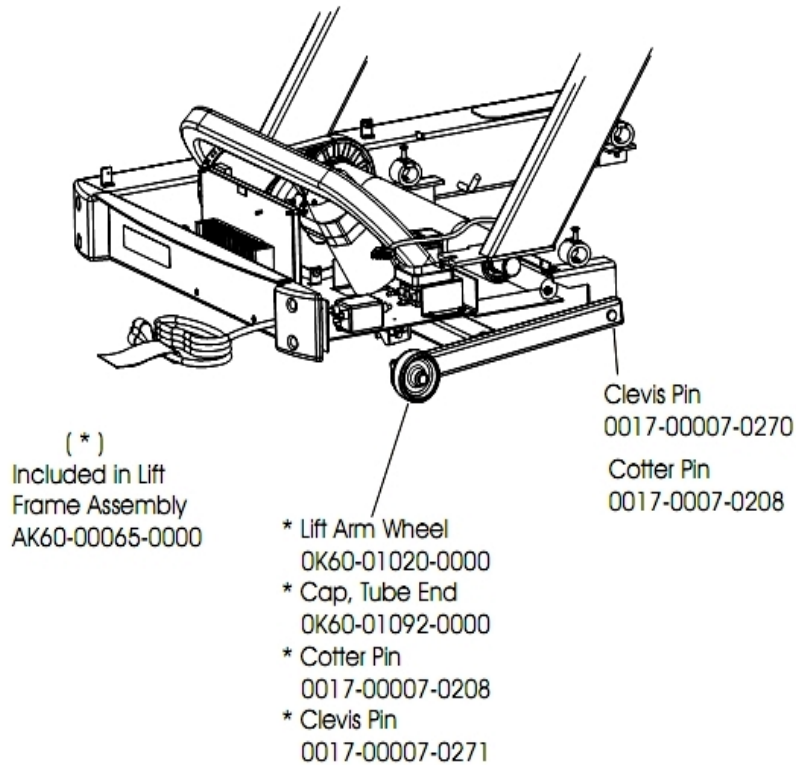
Ref #	Part Number	Qty	Description
-	GK20-00002-0004	1	Heart Rate Electrode Kit
-	0K60-01086-0000	2	Decal
-	AK60-00068-0001	1	Upright Assembly: Right
-	0017-00101-1738	2	Hardware: Mounting Screw
-	AK60-00042-0000	2	Heart Rate Cable
-	AK60-00049-0000	1	ERGO Bar with Heart Rate Sensor
-	AK60-00069-0001	1	Upright Assembly: Left
-	0K60-01157-0000	1	Grounding Spring

Lifesprings and Anti-Static Tinsel



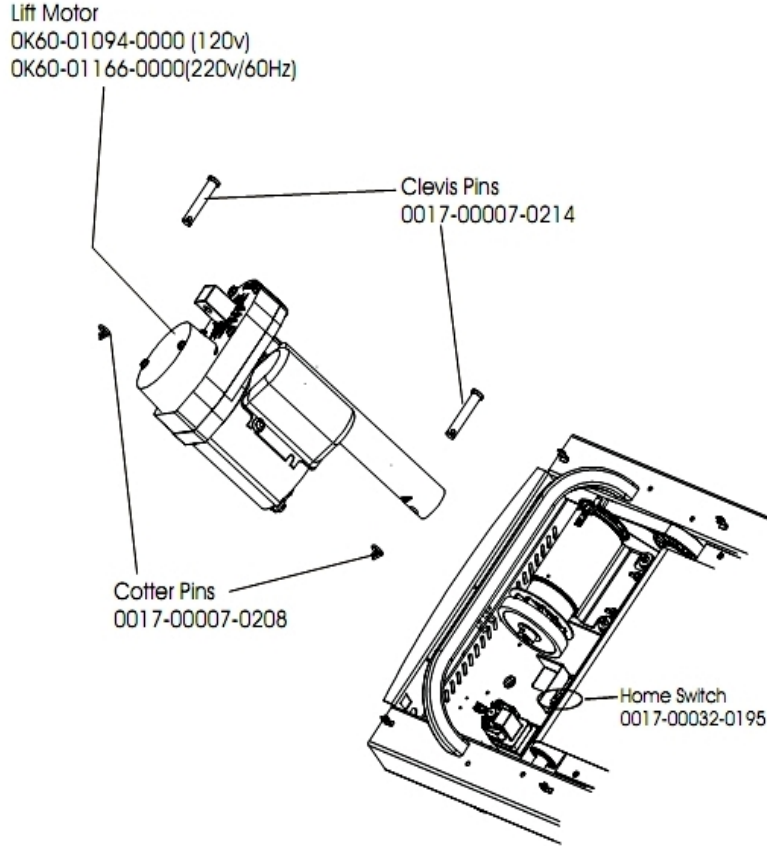
Ref #	Part Number	Qty	Description
-	0017-00103-0198	4	Hardware: Tinnerman Clip 1/4" ID
-	OK60-01055-0000	1	Anti-Static Tinsel
-	0017-00104-0072	8	Hardware: Flat Washer 0.562" OD
-	OK40-01026-0001	8	Spring: Tecspak, Black S/C-B
-	0017-00101-1652	8	Hardware: Spring Mounting Screw 1"

Lift Frame Assembly



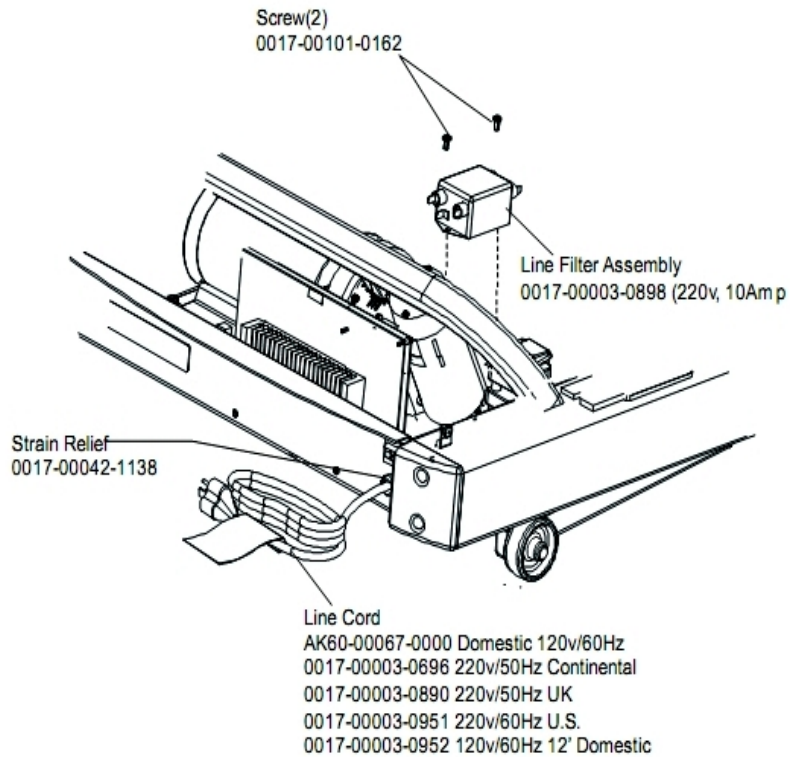
Ref #	Part Number	Qty	Description
-	6836601	2	Cap, End 1 X 1-1/2 11 GA
-	0017-00007-0271	2	Hardware: Clevis Pin - 1/2" D 2.75" L
-	AK60-00065-0000	1	Lift Frame Assembly
-	0017-00007-0270	2	Hardware: Clevis Pin - 1/2" D 1.5" L
-	0017-00007-0208	2	Hardware: Cotter Pin
-	OK60-01020-0000	2	Wheel

Lift Motor and Home Switch



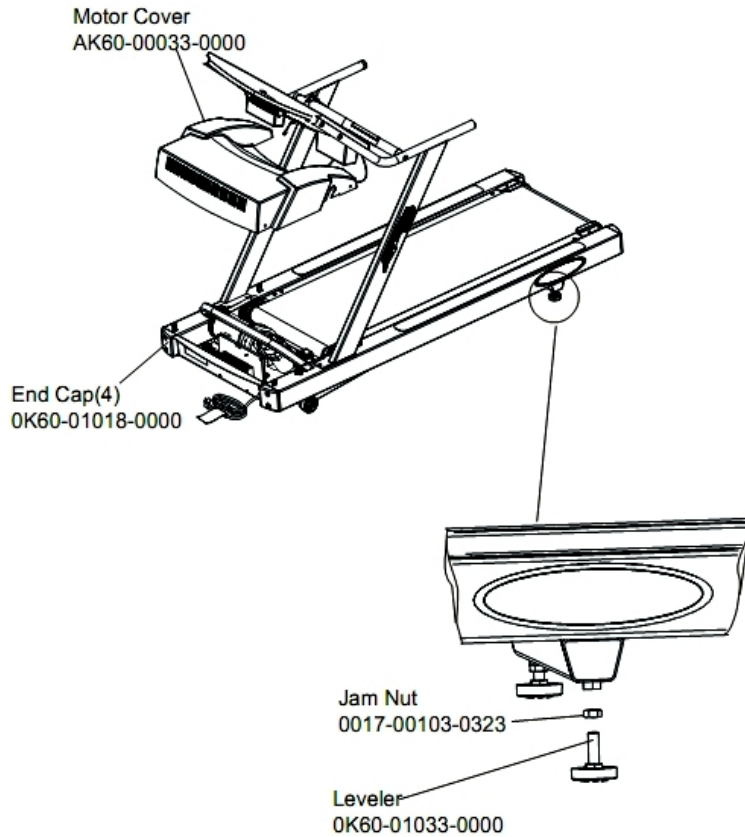
Ref #	Part Number	Qty	Description
-	0017-00032-0195	1	Home Switch
-	OK60-01094-0000	1	Motor: Lift DOM 100V-120V
-	0017-00007-0214	2	Hardware: Clevis Pin 3/8" D 1.75" L
-	0017-00007-0208	2	Hardware: Cotter Pin

Line Filter Assembly and Line Cord



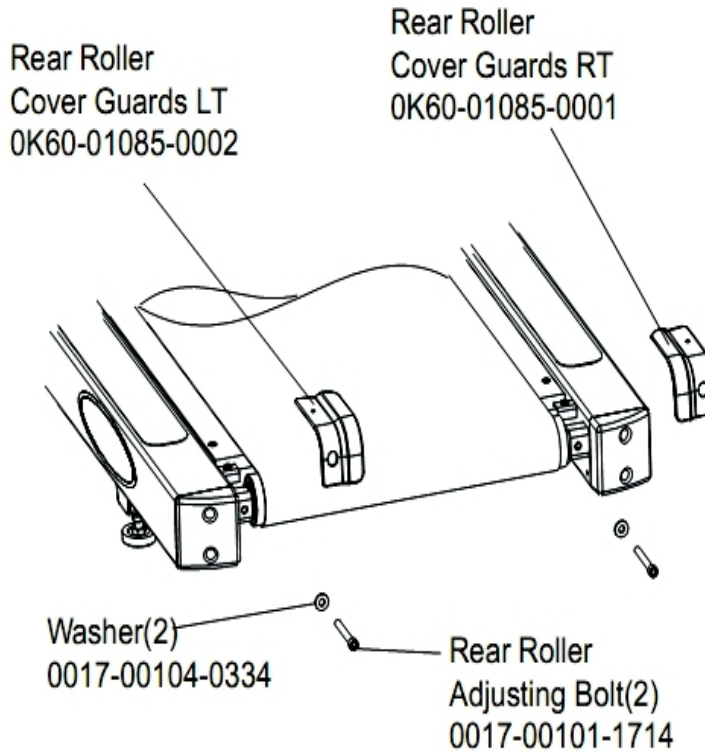
Ref #	Part Number	Qty	Description
-	0017-00101-0162	2	Hardware: Screw 0.375"
-	0017-00042-1138	1	Strain Relief
-	0017-00003-0952	1	Line Cord 120v/60Hz 12ft US
-	AK60-00067-0000	1	Line Cord: US; 120/60

Motor Cover, Leveler and End Caps



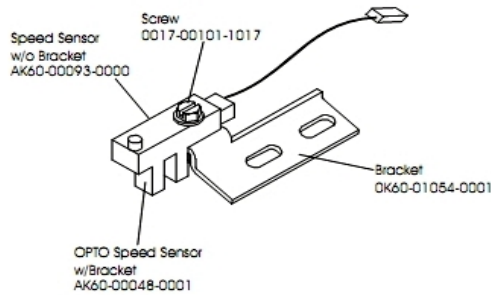
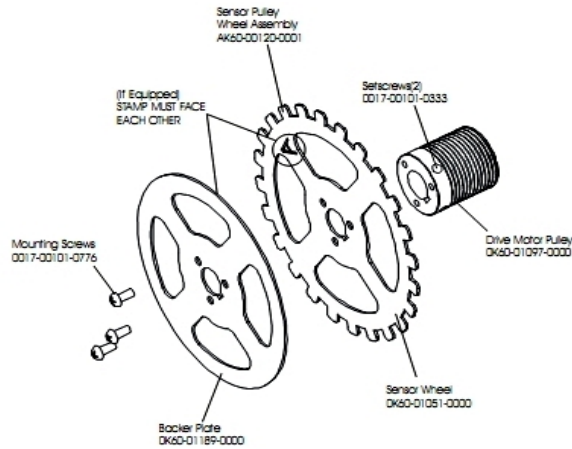
Ref #	Part Number	Qty	Description
-	OK60-01033-0000	2	Leg Leveler
-	OK60-01018-0000	4	End Cap
-	0017-00103-0323	2	Hardware: Nut 1/2" ID
-	AK60-00033-0000	1	Motor Cover

Rear Roller Guards



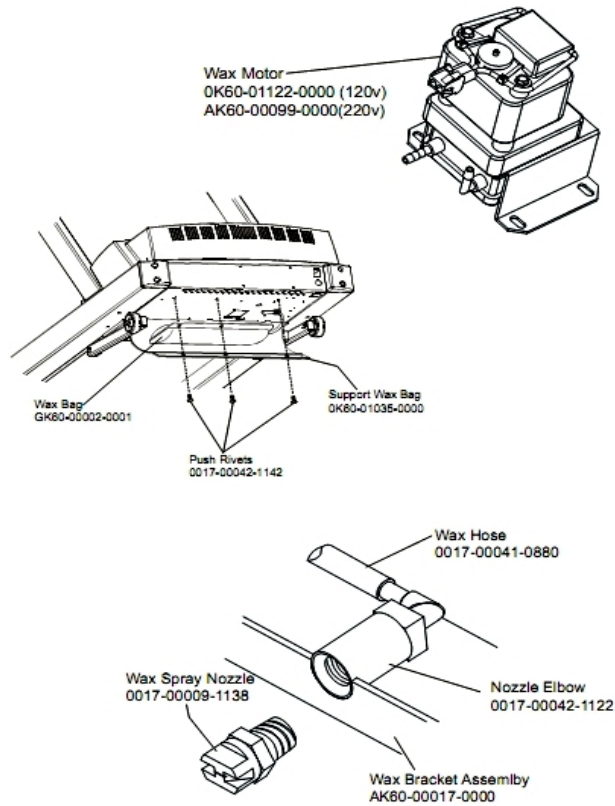
Ref #	Part Number	Qty	Description
-	0017-00101-1779	2	Hardware: Rear Roller Adjusting Bolt
-	0K60-01085-0001	1	Roller Guard: Right
-	0K60-01085-0002	1	Roller Guard: Left
-	0017-00104-0334	2	Hardware: Flat Washers 0.880" OD

Sensors



Ref #	Part Number	Qty	Description
-	AK60-00120-0001	1	Chopper Pulley Wheel Assembly
-	0017-00101-0776	3	Hardware: Mounting Screws
-	OK60-01189-0000	1	Backer Plate
-	0017-00101-0333	2	Hardware: Screw 0.3125"
-	0017-00101-1017	1	Hardware: Leg Cover Screws
-	AK60-00093-0000	1	Speed Sensor without Bracket
-	OK60-01097-0000	1	Drive Motor Pulley
-	OK60-01054-0001	1	Bracket
-	OK60-01051-0000	1	Sensor Wheel
-	AK60-00048-0001	1	OPTO Speed Sensor with Bracket

Wax Motor, Wax Bag, Wax Nozzle and Bracket



Ref #	Part Number	Qty	Description
-	0017-00009-1138	1	Wax Spray Nozzle
-	0017-00041-0880	1	Wax Hose
-	OK60-01035-0000	1	Support Wax Bag
-	0017-00042-1122	1	Nozzle Elbow
-	GK60-00002-0001	1	Wax Bag
-	AK60-00017-0000	1	Wax Nozzle Assembly
-	0017-00042-1142	1	Push Rivets
-	OK60-01122-0000	1	Wax Motor (120v)

