

TR9100HR Treadmill

TR91-0101-31

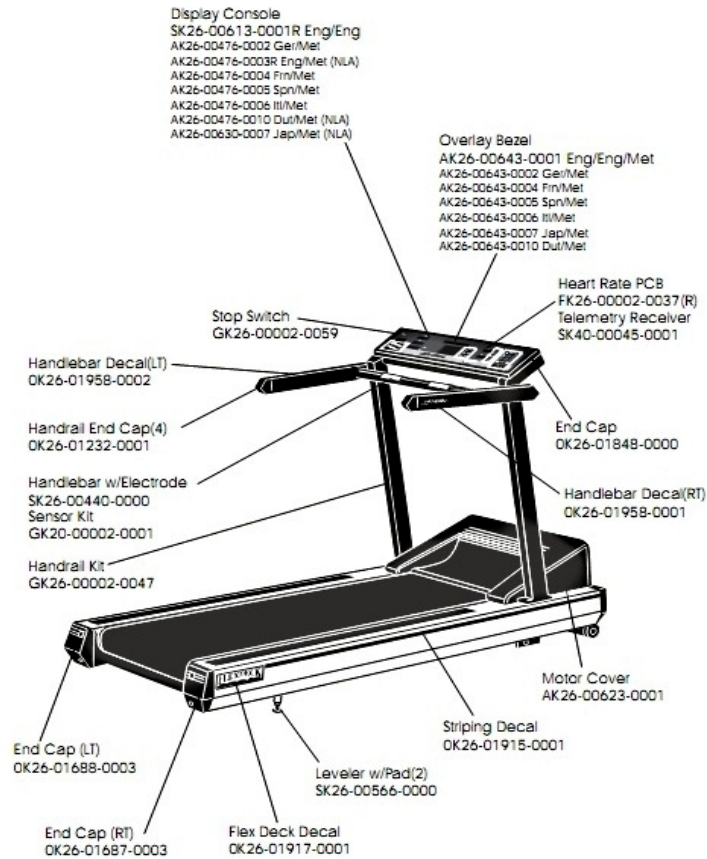
Parts Manual

1/5/2019 17:33:15 PM

Table of Contents

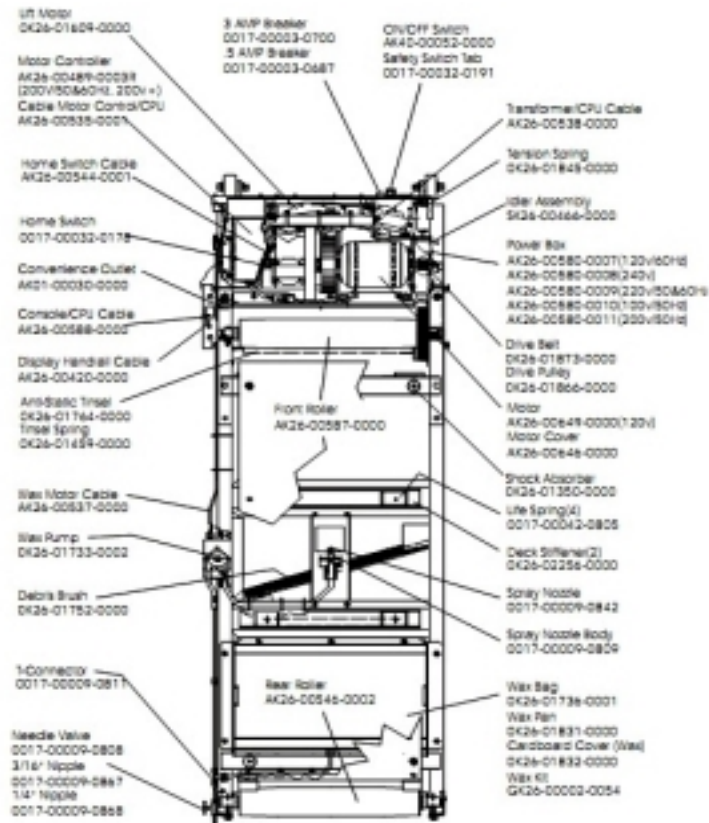
[Component Assembly 1](#).....3
[Component Assembly 2](#).....4
[Component Assembly 3](#).....6

Component Assembly 1



Ref #	Part Number	Qty	Description
-	OK26-01687-0003	1	End Cap (Right)
-	AK26-00643-0001	1	Overlay Bezel English/English
-	SK40-00045-0001	1	Polar HR Kit
-	AK26-00476-0003R	1	Display Console English/Metric
-	FK26-00002-0037	1	Heart Rate Board Kit
-	OK26-01958-0002	1	Handlebar Decal(Left)
-	OK26-01232-0001	4	Handrail End Cap
-	OK26-01848-0000	1	End Cap
-	AK26-00623-0001	1	Motor Cover
-	GK20-00002-0001	1	Heart Rate Electrode Kit
-	OK26-01917-0001	1	Flex Deck Decal
-	GK26-00002-0059	1	Stop Switch
-	SK26-00440-0000	1	Handlebar with Electrode
-	SK26-00566-0000	2	Leveler with Pad
-	OK26-01688-0003	1	End Cap (Left)
-	OK26-01915-0001	1	Striping Decal
-	OK26-01958-0001	1	Handlebar Decal(Right)
-	GK26-00002-0047	1	Handrail Kit

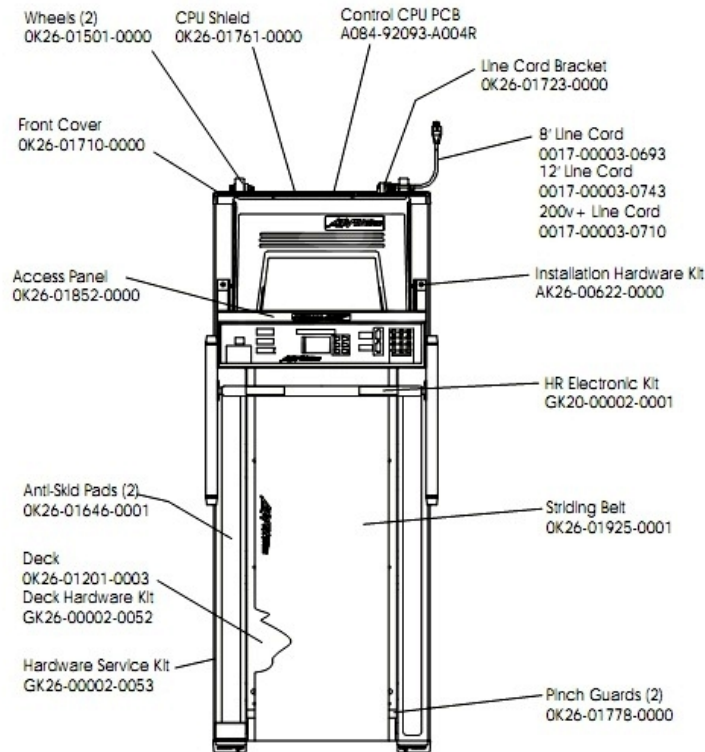
Component Assembly 2



Ref #	Part Number	Qty	Description
-	0K26-01831-0000	1	Wax Pan
-	0K26-01873-0000	1	Drive Belt
-	AK26-00587-0000	1	Front Roller
-	GK26-00002-0054	1	Wax Kit
-	0017-00009-0842	1	Brass Spray Tip
-	0017-00032-0178	1	Home Switch
-	0K26-01609-0000	1	Lift Motor
-	AK26-00588-0000	1	Console/CPU Cable
-	AK26-00646-0000	1	Motor Cover
-	AK40-00052-0000	1	ON/OFF Switch
-	AK26-00420-0000	1	Display Handrail Cable
-	AK26-00544-0001	1	Home Switch Cable
-	AK26-00538-0000	1	Transformer/CPU Cable
-	AK01-00030-0000	1	Convenience Outlet
-	AK26-00580-0009	1	Power Box(220v)
-	0K26-01832-0000	1	Cardboard Cover (Wax)
-	0K26-01845-0000	1	Tension Spring
-	0K26-01459-0000	1	Tinsel Spring
-	0K26-01350-0000	1	Shock Absorber
-	0017-00009-0808	1	Needle Valve
-	0017-00009-0809	1	Needle Valve
-	0017-00003-0700	1	3 AMP Circuit Breaker

Ref #	Part Number	Qty	Description
-	0017-00009-0867	1	3/16" Nipple
-	0017-00009-0868	1	1/4" Nipple
-	AK26-00489-0003R	1	Motor Controller
-	AK26-00649-0000	1	Motor
-	0017-00032-0191	1	Safety Switch Tab
-	0017-00042-0805	4	Life Spring
-	0K26-01764-0000	1	Anti-Static Tinsel
-	0K26-02256-0000	2	Deck Stiffener
-	SK26-00466-0000	1	Idler Assembly
-	0017-00003-0687	1	.5 AMP Circuit Breaker
-	AK26-00535-0002	1	Cable-Assembly: Emerson-Interface C
-	AK26-00537-0000	1	Wax Motor Cable
-	AK26-00546-0002	1	Rear Roller
-	0017-00009-0811	1	T-Connector
-	0K26-01736-0001	1	Wax Bag
-	0K26-01733-0002	1	Wax Pump
-	0K26-01752-0000	1	Debris Brush
-	0K26-01866-0000	1	Drive Pulley

Component Assembly 3



Ref #	Part Number	Qty	Description
-	OK26-01761-0000	1	CPU Shield
-	A084-92093-A004R	1	Control CPU PCB
-	GK26-00002-0053	1	Hardware Service Kit
-	OK26-01925-0001	1	Striding Belt
-	0017-00003-0693	1	8' Line Cord
-	0017-00003-0710	2	200V+ Line Cord
-	OK26-01201-0004	1	Deck: Treadmill D
-	AK26-00622-0000	1	Installation Hardware Kit
-	GK20-00002-0001	1	Heart Rate Electrode Kit
-	0017-00003-0743	1	12' Line Cord
-	OK26-01723-0000	1	3 Line Cord Bracket
-	OK26-01501-0000	2	Wheel
-	OK26-01710-0000	1	Front Cover
-	GK26-00002-0052	1	Deck Hardware
-	OK26-01646-0001	2	Anti-Skid Pad
-	OK26-01778-0000	2	Pinch Guards
-	OK26-01852-0000	1	Access Panel

