

# TR9100 Treadmill - 4HP AC

TR91-0101-35

## Parts Manual

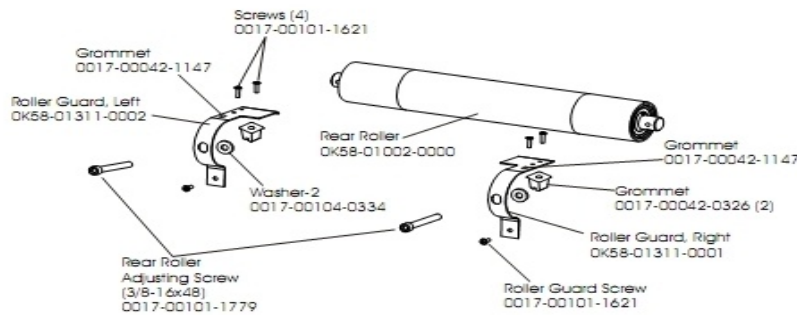
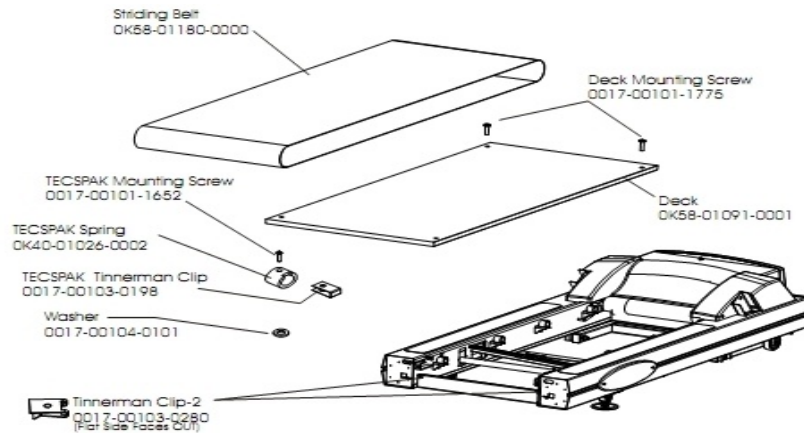
1/5/2019 17:33:16 PM

**Table of Contents**

---

<a href="#">Belt, Deck, Rear Roller.....</a>	<a href="#">3</a>
<a href="#">Cables - Message Center Console.....</a>	<a href="#">4</a>
<a href="#">Cables - Wax Lift Power Supply.....</a>	<a href="#">5</a>
<a href="#">Console (External View).....</a>	<a href="#">6</a>
<a href="#">Console (Internal View).....</a>	<a href="#">7</a>
<a href="#">Covers, End Caps, Hardware.....</a>	<a href="#">8</a>
<a href="#">Frame Assembly Components.....</a>	<a href="#">9</a>
<a href="#">Front Roller Assembly.....</a>	<a href="#">10</a>
<a href="#">General Assembly.....</a>	<a href="#">11</a>
<a href="#">Idler Arm Assembly.....</a>	<a href="#">12</a>
<a href="#">Lever Assembly.....</a>	<a href="#">13</a>
<a href="#">Lift Motor And Lift Frame.....</a>	<a href="#">14</a>
<a href="#">Motor Assembly.....</a>	<a href="#">15</a>
<a href="#">Motor Controller.....</a>	<a href="#">16</a>
<a href="#">Power Box Assembly.....</a>	<a href="#">17</a>
<a href="#">Waxing Components.....</a>	<a href="#">18</a>

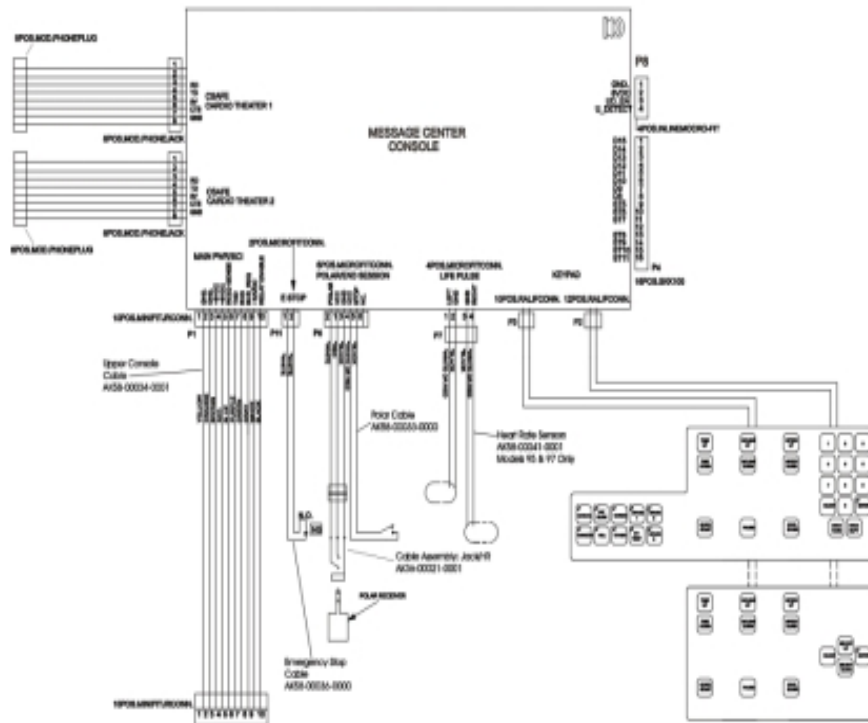
### Belt, Deck, Rear Roller



**IMPORTANT:** Components can be ordered separately with Serial Numbers above:  
 TR9100 HTN102105-Above, TR9500 HTM105585-Above, and TR9700 HTP100531-Above.  
 Use the appropriate Roller Guard Kit: GK58-00002-0095 for TR91/95, and GK58-00002-0087 for TR97 with  
 Serial Numbers: TR9100 HTN102105-Below, TR9500 HTM105585-Below, and TR9700 HTP100531-Below.

Ref #	Part Number	Qty	Description
-	GK58-00002-0095	1	Roller Guard kit
-	0017-00104-0101	1	Hardware: Flat Washer 0.437" OD
-	0017-00101-1652	1	Hardware: Spring Mounting Screw 1"
-	0017-00101-1775	1	Hardware: Deck Screws 1.25"
-	0017-00103-0198	1	Hardware: Tinnerman Clip 1/4" ID
-	0017-00103-0280	1	Hardware: Tinnerman Clip
-	OK58-01180-0000	1	Striding Belt
-	OK40-01026-0002	1	Deck Spring
-	OK58-01091-0001	1	Deck

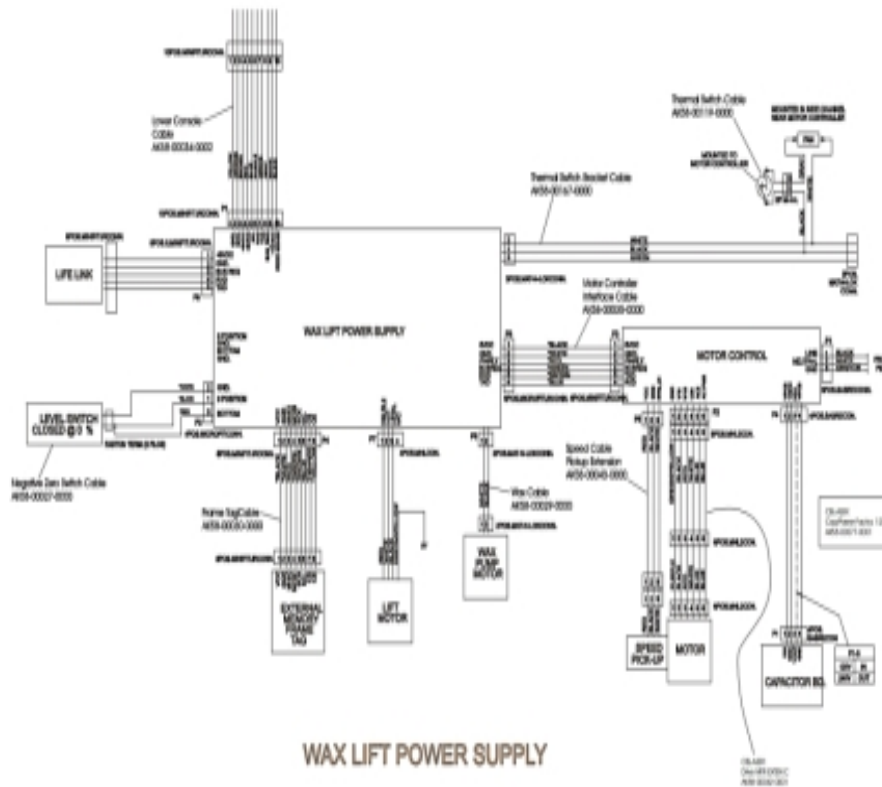
## Cables - Message Center Console



Message Center Console

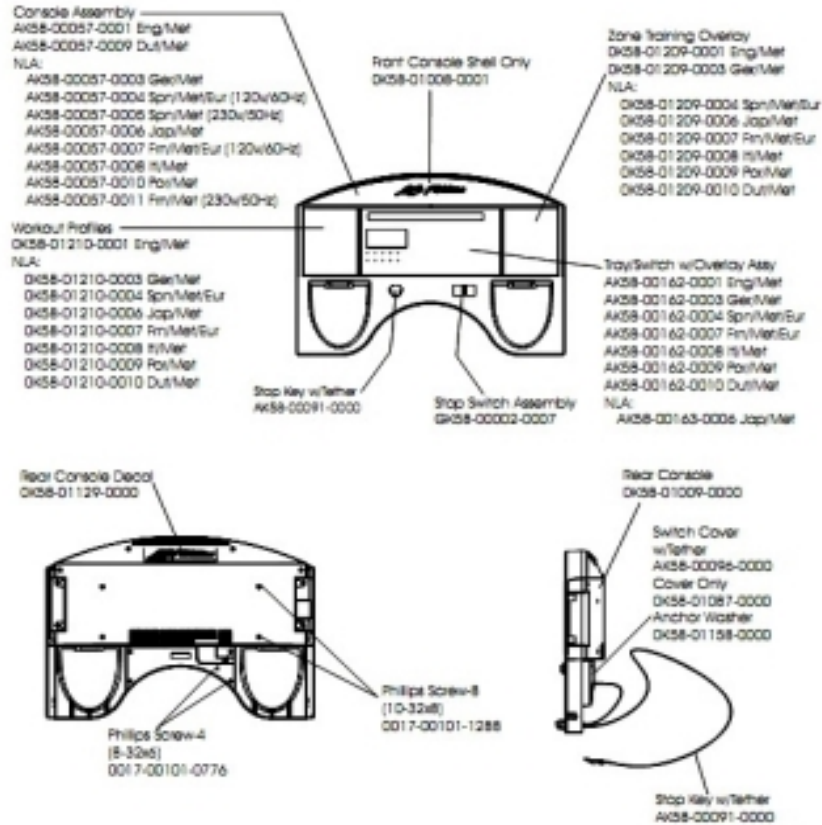
Ref #	Part Number	Qty	Description
-	AK58-00036-0000	1	Cable-Assembly: Emergency-Stop Switch
-	AK36-00021-0001	1	Cable Assembly - Jack/HR
-	AK58-00034-0001	1	Console Power Cable
-	AK58-00033-0000	1	Polar Cable
-	AK58-00041-0001	1	Heart Rate Sensor Cable

## Cables - Wax Lift Power Supply



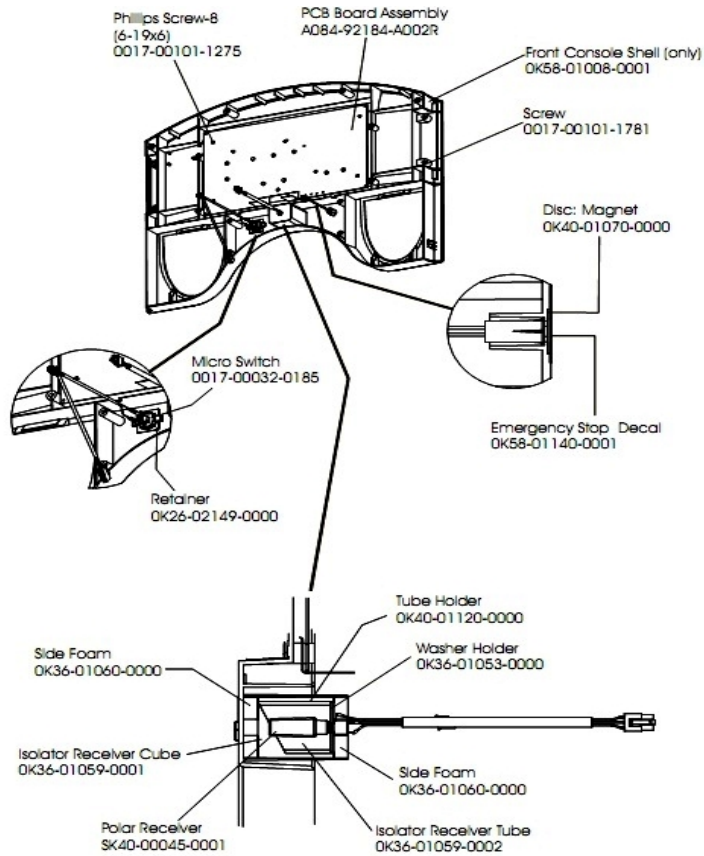
Ref #	Part Number	Qty	Description
-	AK58-00167-0000	1	Thermal Switch Bracket Cable
-	AK58-00119-0000	1	Thermal Switch
-	AK58-00027-0000	1	Limit Switch Cable
-	AK58-00035-0000	1	Motor Controller Interface Cable
-	AK58-00077-0001	1	Cap Board Cable - Domestic
-	AK58-00043-0000	1	Speed Sensor Cable
-	AK58-00042-0001	1	Cable Assembly
-	AK58-00030-0000	1	Frame Tag Cable
-	AK58-00034-0002	1	Console Cable
-	AK58-00029-0000	1	Wax Pump Cable

## Console (External View)



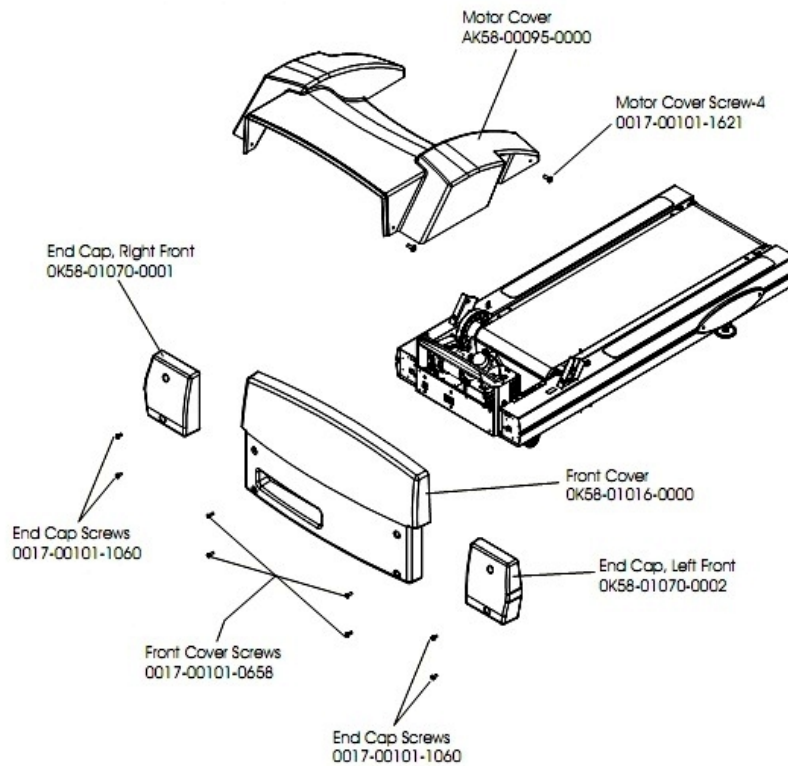
Ref #	Part Number	Qty	Description
-	OK58-01210-0001	1	Workout Profiles English/Metric
-	OK58-01008-0001	1	Front Console Shell (only)
-	0017-00101-1288	1	Hardware: Phillips Screw 0.5"
-	AK58-00162-0001	1	Tray/Switch with Overlay Assy English/Metric
-	AK58-00091-0000	2	Stop Key with Tether
-	GK58-00002-0007	1	Stop Switch Assembly
-	OK58-01129-0000	1	Rear Console Decal
-	0017-00101-0776	1	Hardware: Mounting Screws
-	OK58-01209-0001	1	Zone Training Overlay English/Metric
-	AK58-00096-0000	1	Switch Cover with Tether
-	OK58-01158-0000	1	Anchor Washer
-	OK58-01087-0000	1	Switch Cover
-	AK58-00057-0001	1	Console Assembly English/Metric
-	OK58-01009-0000	1	Rear Console

## Console (Internal View)



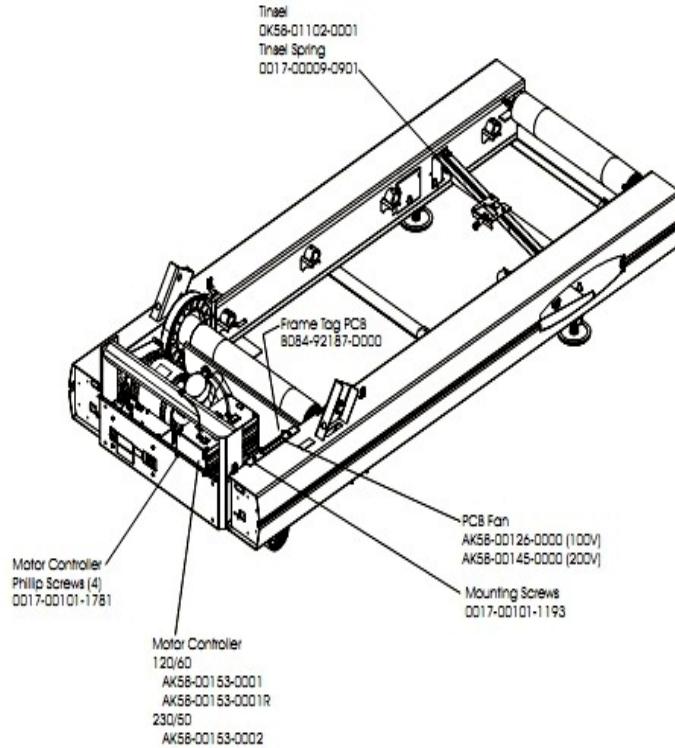
Ref #	Part Number	Qty	Description
-	0K36-01059-0001	1	Isolator Receiver Cube
-	0K36-01059-0002	1	Insulator Receiver Tube
-	SK40-00045-0001	1	Polar HR Kit
-	0K36-01053-0000	1	Hardware: Washer
-	0K58-01140-0001	1	Emergency Stop Decal
-	0K40-01070-0000	1	Magnetic Disk
-	0017-00101-1781	1	Hardware: Phillips Pan Screw 0.5"
-	A084-92184-A002R	1	PCB Board Assembly
-	0K26-02149-0000	1	Retainer
-	0017-00032-0185	1	Micro Switch 150GR
-	0K36-01060-0000	2	Side Foam
-	0017-00101-1275	1	Hardware: Phillips Screw 0.375"
-	0K40-01120-0000	1	Tube Holder
-	0K58-01008-0001	1	Front Console Shell (only)

## Covers, End Caps, Hardware



Ref #	Part Number	Qty	Description
-	OK58-01070-0002	1	End Cap
-	OK58-01016-0000	1	Front Cover
-	0017-00101-0658	1	Hardware: Access Panel Screws
-	OK58-01070-0001	1	End Cap
-	AK58-00095-0000	1	Motor Cover
-	0017-00101-1060	2	Hardware: Bracket Screw
-	0017-00101-1621	1	Hardware: Phillips Screw 0.5"

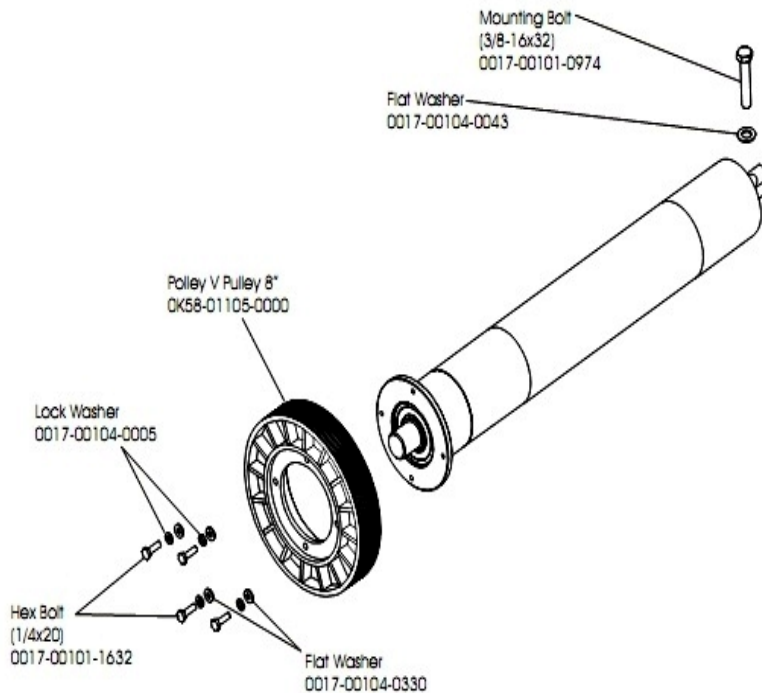
# Frame Assembly Components



Ref #	Part Number	Qty	Description
-	0017-00009-0901	1	Tinsel Extension Spring
-	GK65-00002-0019	1	Motor Controller Assembly (200-240V)
-	OK58-01102-0001	1	Anti-Static Tinsel
-	0017-00101-1781	1	Hardware: Phillips Pan Screw 0.5"
-	0017-00101-1193	1	Hardware: Screw 0.375"
-	B084-92187-D000	1	Frame Tag PCB
-	AK58-00145-0000	1	Fan Assembly (200v)

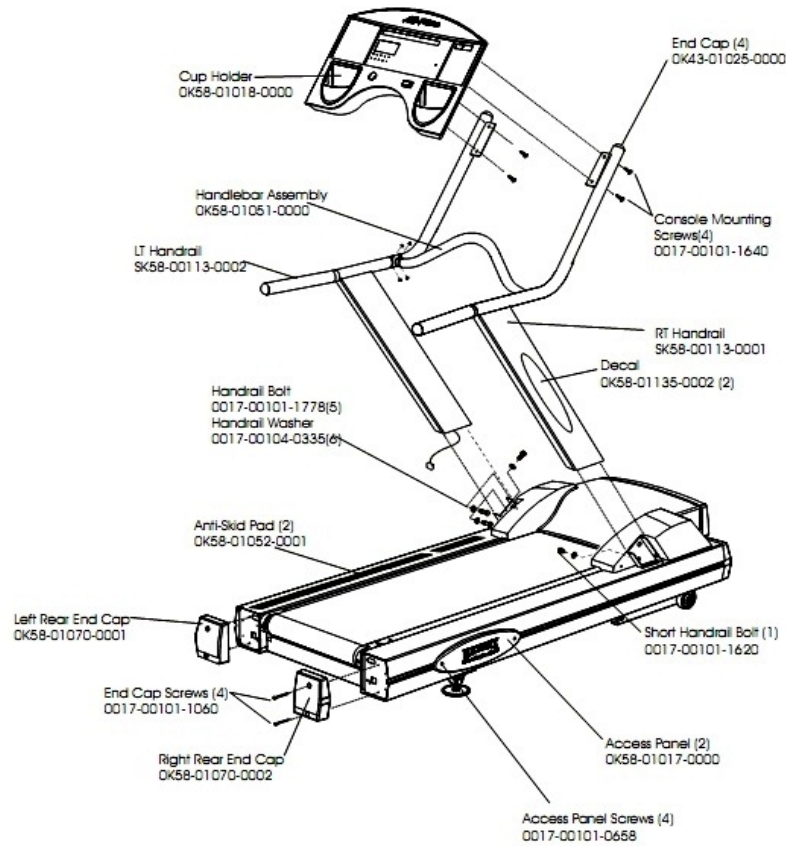
# Front Roller Assembly

**Front Roller Assembly – AK58-00066-0000**



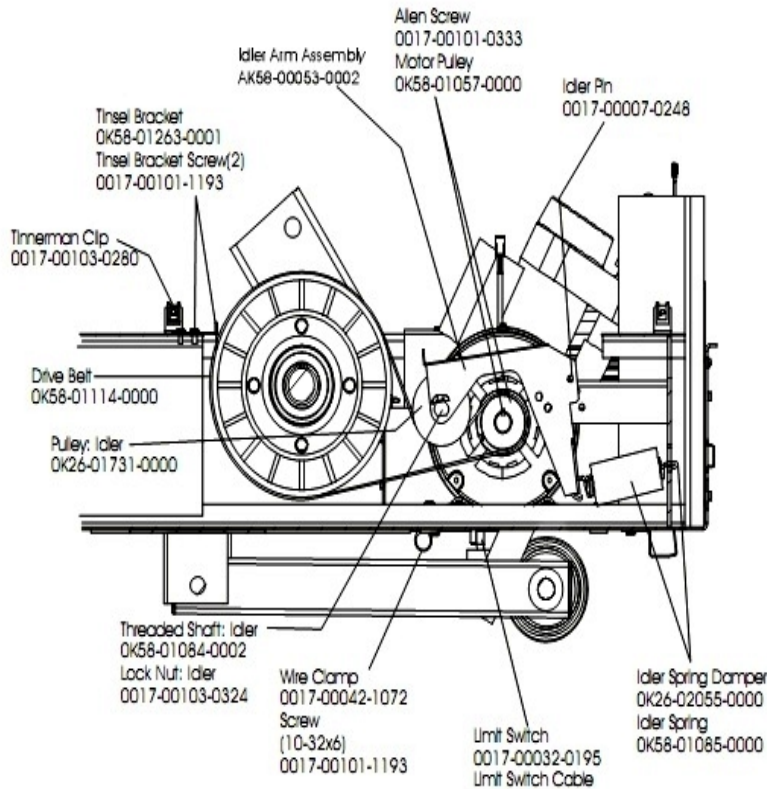
Ref #	Part Number	Qty	Description
-	AK58-00066-0000	1	Front Roller Assembly
-	0017-00104-0330	1	Hardware: Flat Washers 0.562" OD
-	0017-00104-0005	1	Hardware: Lock Washer 0.489" OD
-	0017-00104-0043	1	Hardware: Flat Washer 0.734" OD
-	0K58-01105-0000	1	Drive Pulley Poly V - 8"
-	0017-00101-0974	1	Hardware: Mounting Bolt 2"
-	0017-00101-1632	1	Hardware: Hex Bolt 0.875"

# General Assembly



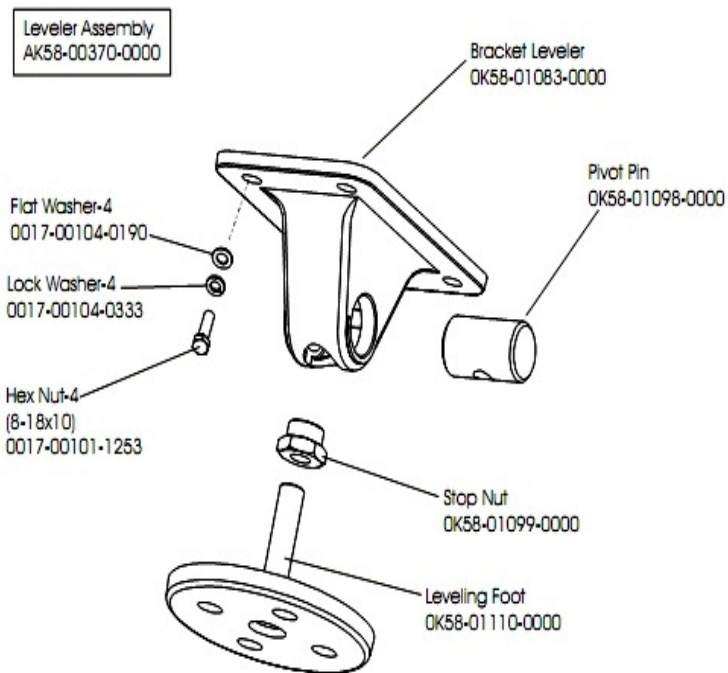
Ref #	Part Number	Qty	Description
-	OK58-01051-0000	1	Handlebar Assembly
-	OK58-01070-0001	1	End Cap
-	OK58-01070-0002	1	End Cap
-	OK58-01052-0001	1	Anti-Skid Pad
-	0017-00101-1620	1	Hardware: Handrail Bolt
-	OK43-01025-0000	1	End Cap
-	SK58-00113-0001	1	Right Handrail
-	0017-00101-0658	1	Hardware: Access Panel Screws
-	0017-00101-1778	1	Hardware: Hex Bolt 1"
-	OK58-01135-0002	1	Decal
-	SK58-00113-0002	1	Left Handrail
-	0017-00101-1640	1	Hardware: Console Mounting Screws
-	0017-00101-1060	1	Hardware: Bracket Screw
-	0017-00104-0335	1	Hardware: Handrail Washer
-	OK58-01018-0000	1	Cup Holder
-	OK58-01017-0000	1	Access Panel

## Idler Arm Assembly



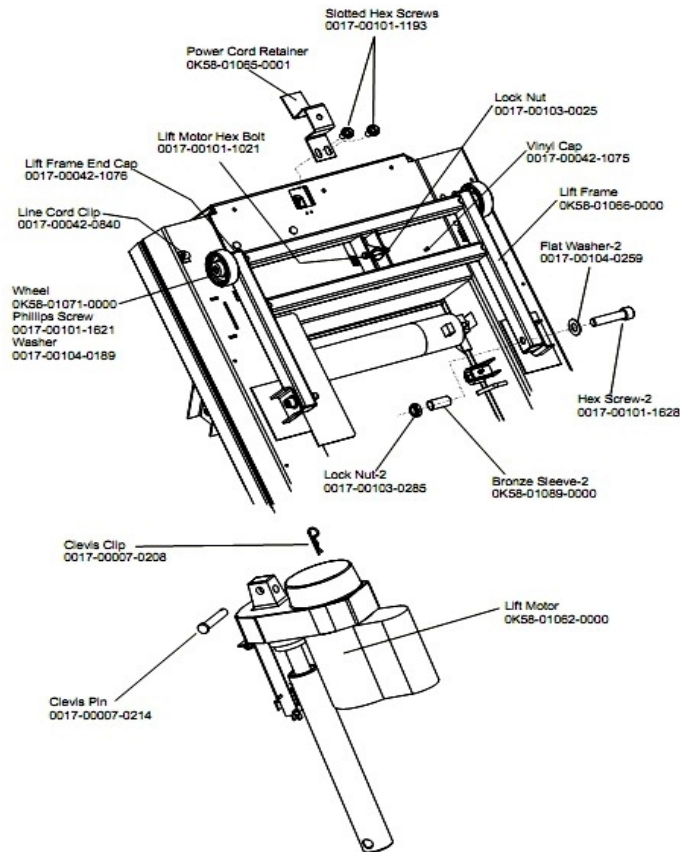
Ref #	Part Number	Qty	Description
-	0017-00103-0324	1	Hardware: Thin Lock Nut 3/8" ID
-	AK58-00053-0002	1	Idler Arm Assembly
-	OK26-02055-0000	1	Spring Damper
-	0017-00032-0195	1	Home Switch
-	0017-00042-1072	1	Hardware: Wire Clamp - 5/8"
-	0017-00007-0248	1	Hardware: Locking Pin .31" D 2.125" L
-	0017-00101-1193	2	Hardware: Screw 0.375"
-	OK58-01057-0000	1	Motor Pulley
-	OK58-01114-0000	1	Poly-V Drive Belt - 370J12
-	OK58-01084-0002	1	Threaded Shaft
-	0017-00103-0280	1	Hardware: Tinnerman Clip
-	OK58-01085-0000	1	Extension Spring
-	OK58-01263-0001	1	Tinsel Bracket
-	0017-00101-0333	1	Hardware: Screw 0.3125"
-	OK26-01731-0000	1	Plastic Idler 2 5/8" OD

## Lever Assembly



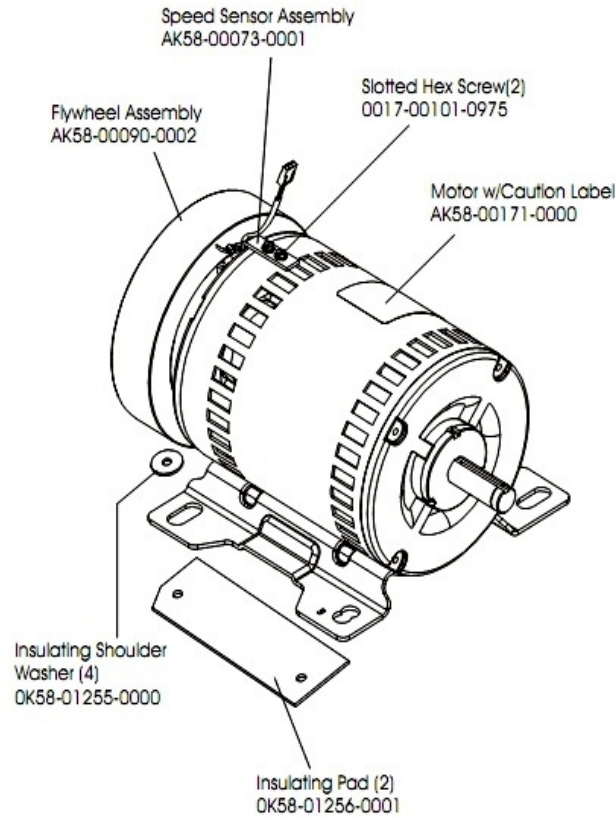
Ref #	Part Number	Qty	Description
-	0017-00104-0190	1	Hardware: Flat Washer 0.734" OD
-	OK58-01099-0000	1	Hardware: Stop Nut
-	AK58-00370-0000	1	Leveler Assembly
-	OK58-01110-0000	1	Leveler Foot
-	OK58-01083-0000	1	Leveler Bracket
-	0017-00104-0333	1	Hardware: Washer 0.683" OD
-	0017-00101-1253	1	Hardware: Screw
-	OK58-01098-0000	1	Hardware: Pivot Pin

# Lift Motor And Lift Frame



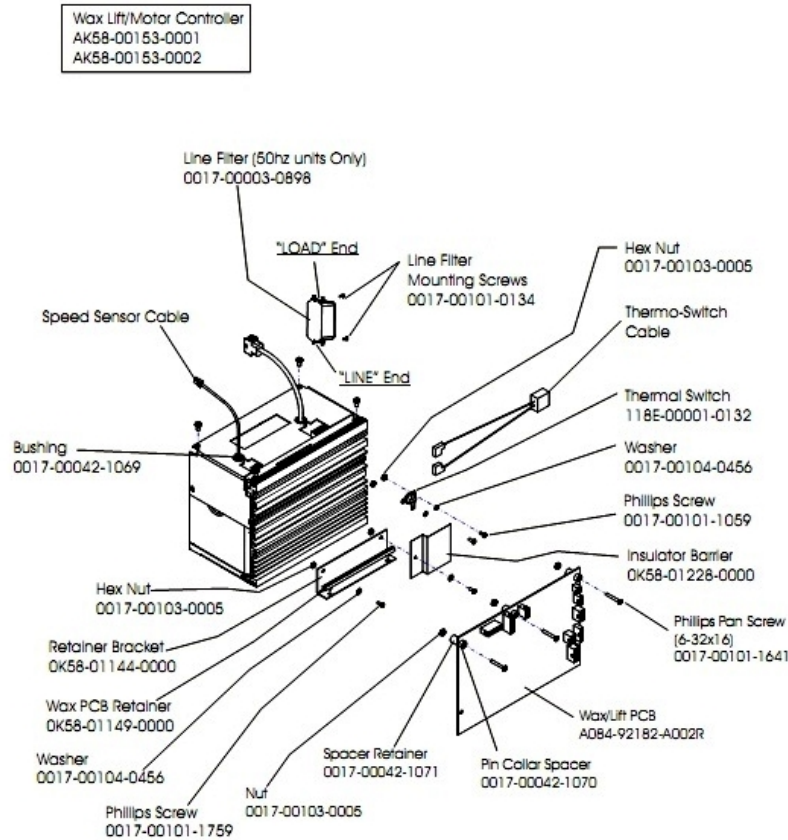
Ref #	Part Number	Qty	Description
-	0017-00101-1193	1	Hardware: Screw 0.375"
-	0017-00103-0285	1	Hardware: Nut 5/8" ID
-	0017-00007-0208	1	Hardware: Cotter Pin
-	0017-00101-1621	1	Hardware: Phillips Screw 0.5"
-	0017-00104-0189	1	Hardware: Flat Washer 1" OD
-	0017-00101-1021	1	Hardware: Lift Motor Hex Bolt 2.5"
-	0017-00101-1628	1	Hardware: Hex Screw
-	0017-00103-0025	1	Hardware: Locking Nut 3/8" ID
-	0017-00104-0259	1	Hardware: Washer 1.331" OD
-	0017-00042-1076	1	Lift Frame End Cap
-	AK58-00220-0000	1	LIFT-FRAME ASSY: MFG. C
-	0K58-01062-0000	1	Lift Motor - 120/60
-	0K58-01089-0000	1	Bronze Sleeve Bushings
-	0017-00042-0840	1	Hardware: Push Mount Clip
-	0K58-01071-0000	1	Wheel
-	0017-00042-1075	1	Vinyl Cap
-	0K58-01065-0001	1	Power Cord Retainer
-	0017-00007-0214	1	Hardware: Clevis Pin 3/8" D 1.75" L

## Motor Assembly



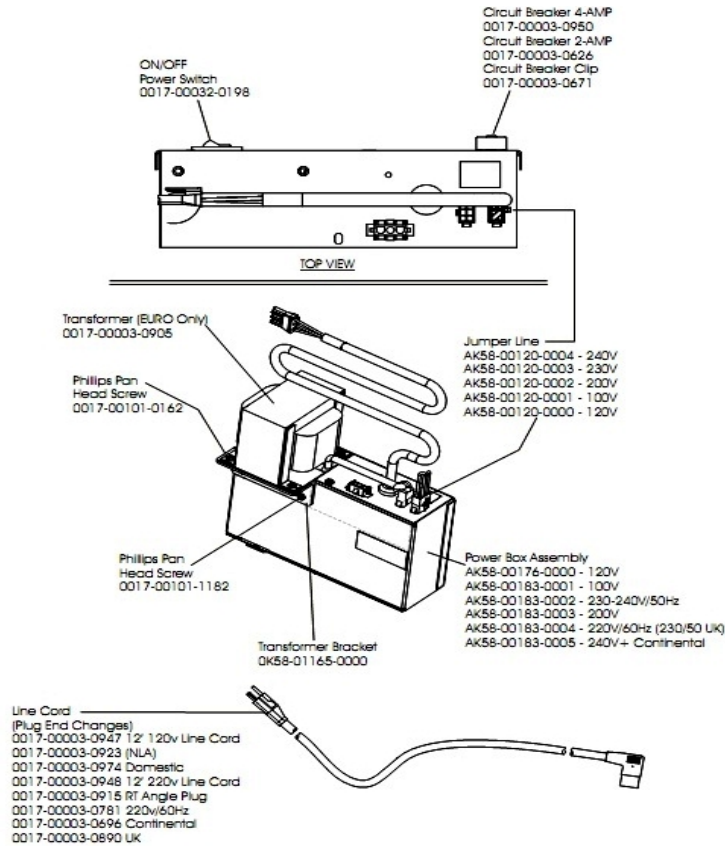
Ref #	Part Number	Qty	Description
-	OK58-01256-0001	1	Insulating Pad
-	0017-00101-0975	1	Hardware: Mounting Bolt 0.375"
-	OK58-01255-0000	1	Hardware: Insulating Washers
-	AK58-00073-0001	1	Speed Sensor Assembly
-	AK58-00171-0000	1	Motor with Caution Label
-	AK58-00090-0002	1	Flywheel Assembly

# Motor Controller



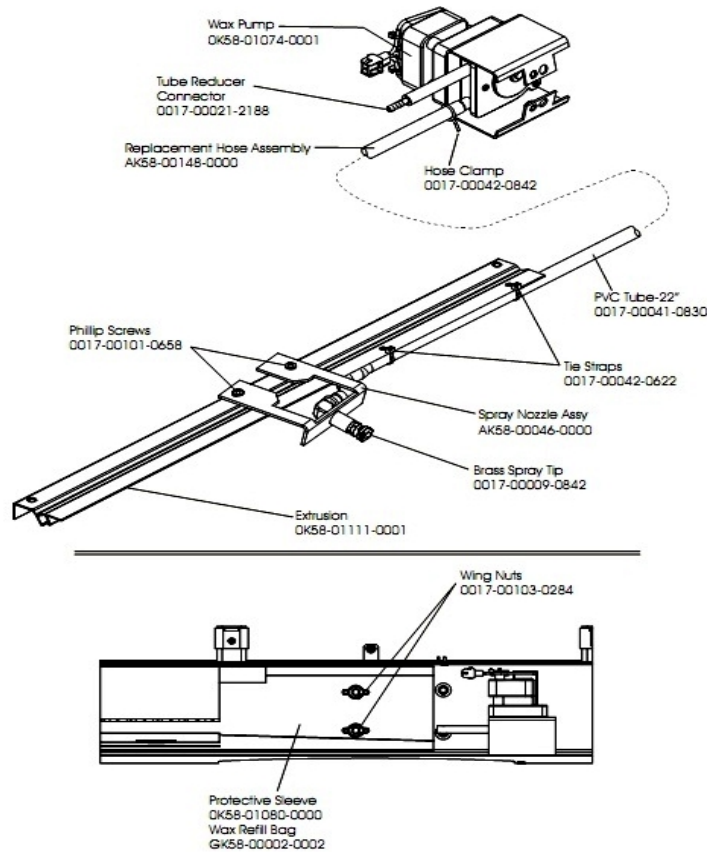
Ref #	Part Number	Qty	Description
-	0017-00104-0456	2	Hardware: Washer 0.31" OD
-	0017-00042-1069	1	Bushing
-	0017-00101-0134	1	Hardware: Line Filter Mounting Screws
-	GK65-00002-0019	1	Motor Controller Assembly (200-240V)
-	118E-00001-0132	1	Thermal Switch
-	0017-00101-1059	1	Hardware: Phillips Screw
-	OK58-01149-0000	1	Wax PCB Retainer
-	OK58-01228-0000	1	Insulator Barrier
-	0017-00103-0005	3	Hardware: Hex Nut
-	A084-92182-A002R	1	Wax/Lift PCB
-	OK58-01144-0000	1	Retainer Bracket
-	0017-00101-1759	1	Hardware: Phillips Screw 0.625"
-	0017-00101-1641	1	Hardware: Phillips Pan Screw
-	0017-00042-1070	1	Pin Collar Spacer
-	0017-00042-1071	1	Spacer Retainer

# Power Box Assembly



Ref #	Part Number	Qty	Description
-	0017-00101-0162	1	Hardware: Screw 0.375"
-	0017-00003-0948	1	12' 220v Line Cord
-	0017-00003-0671	1	Circuit Breaker Clip
-	0017-00003-0696	1	Line Cord: International High Voltage (Cont.) 103"
-	0017-00032-0198	1	On/Off Switch 22A
-	0017-00003-0626	1	CIRCUIT-BREAKER:2A 200-240V
-	AK58-00183-0002	1	Power Box Assembly 220-240V
-	AK58-00176-0000	1	Power Box Assembly 120V
-	0017-00101-1182	1	Hardware: Phillips Pan Head Screw
-	0K58-01165-0000	1	Transformer Bracket
-	0017-00003-0905	1	Transformer (EURO Only)
-	0017-00003-0915	1	Line Cord RT Angle Plug
-	0017-00003-0950	1	100v 4 AMP Breaker

# Waxing Components



Ref #	Part Number	Qty	Description
-	OK58-01111-0001	1	Extrusion Assembly
-	AK58-00046-0000	1	Spray Nozzle Assembly
-	0017-00009-0842	1	Brass Spray Tip
-	0017-00041-0830	1	TUBING: PVC; REINFORCED B
-	AK58-00148-0000	1	Replacement Hose
-	OK58-01074-0001	1	Wax Pump
-	OK58-01080-0000	1	Protective Sleeve
-	0017-00042-0622	1	Cable Tie
-	0017-00042-0842	1	Hose Clamp
-	0017-00101-0658	1	Hardware: Access Panel Screws
-	0017-00103-0284	1	Hardware: Wing Nut
-	GK58-00002-0002	1	Wax Refill Bag
-	0017-00021-2188	1	Tube Reducer Connector

