

TR9100 Treadmill - 4HP AC

TR91-0103-35

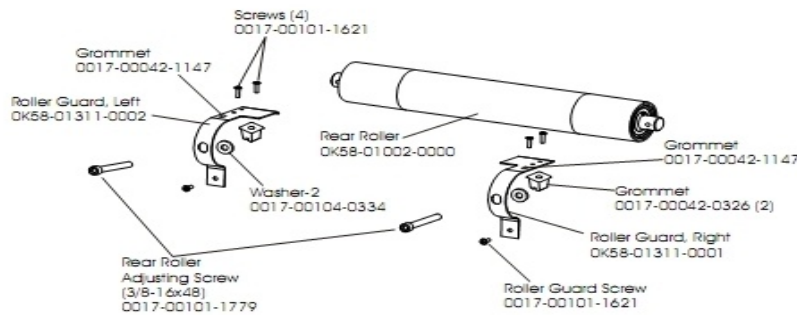
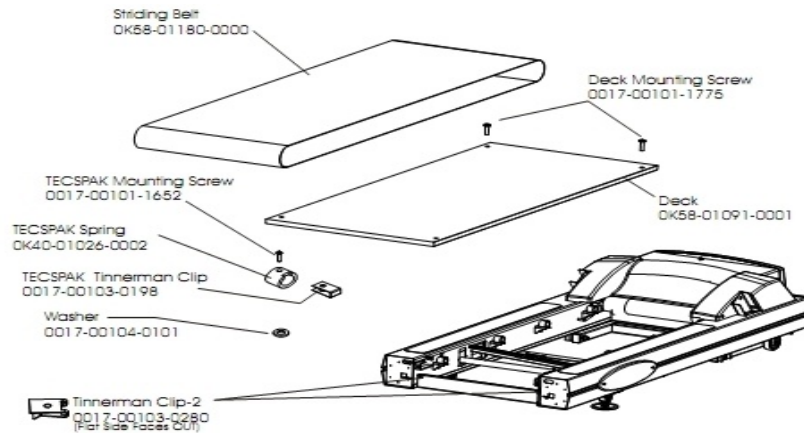
Parts Manual

1/5/2019 17:34:41 PM

Table of Contents

Belt, Deck, Rear Roller.....	3
Cables - Message Center Console.....	4
Cables - Wax Lift Power Supply.....	5
Console (External View).....	6
Console (Internal View).....	7
Covers, End Caps, Hardware.....	8
Frame Assembly Components.....	9
Front Roller Assembly.....	10
General Assembly.....	11
Idler Arm Assembly.....	12
Lever Assembly.....	13
Lift Motor And Lift Frame.....	14
Motor Assembly.....	15
Motor Controller.....	16
Power Box Assembly.....	17
Waxing Components.....	18

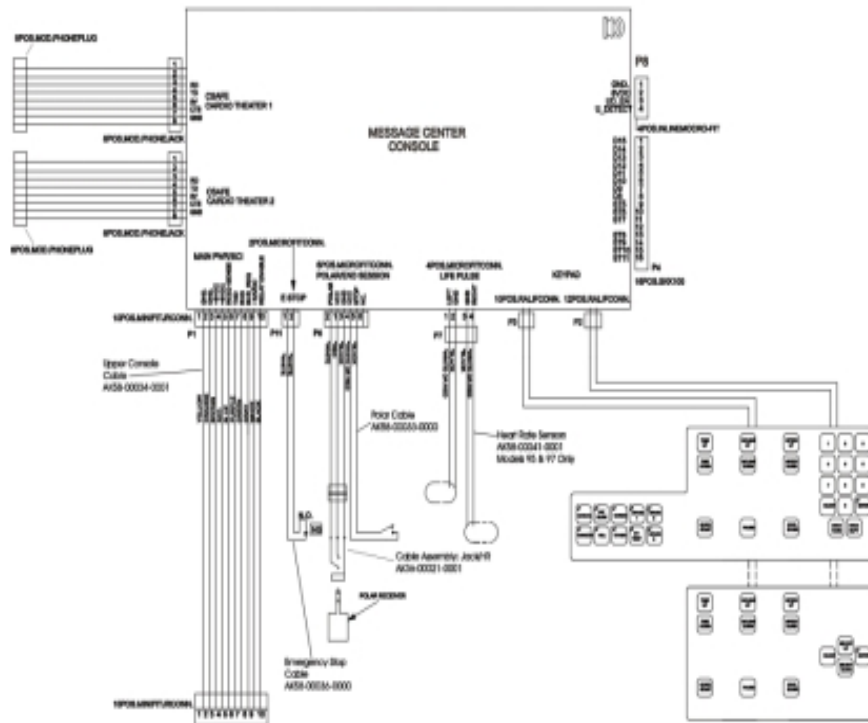
Belt, Deck, Rear Roller



IMPORTANT: Components can be ordered separately with Serial Numbers above:
 TR9100 HTN102105-Above, TR9500 HTM105585-Above, and TR9700 HTP100531-Above.
 Use the appropriate Roller Guard Kit: GK58-00002-0095 for TR91/95, and GK58-00002-0087 for TR97 with
 Serial Numbers: TR9100 HTN102105-Below, TR9500 HTM105585-Below, and TR9700 HTP100531-Below.

Ref #	Part Number	Qty	Description
-	0017-00101-1775	1	Hardware: Deck Screws 1.25"
-	OK40-01026-0002	1	Deck Spring
-	GK58-00002-0095	1	Roller Guard kit
-	0017-00103-0198	1	Hardware: Tinnerman Clip 1/4" ID
-	0017-00103-0280	1	Hardware: Tinnerman Clip
-	0017-00101-1652	1	Hardware: Spring Mounting Screw 1"
-	0017-00104-0101	1	Hardware: Flat Washer 0.437" OD
-	OK58-01091-0001	1	Deck
-	OK58-01180-0000	1	Striding Belt

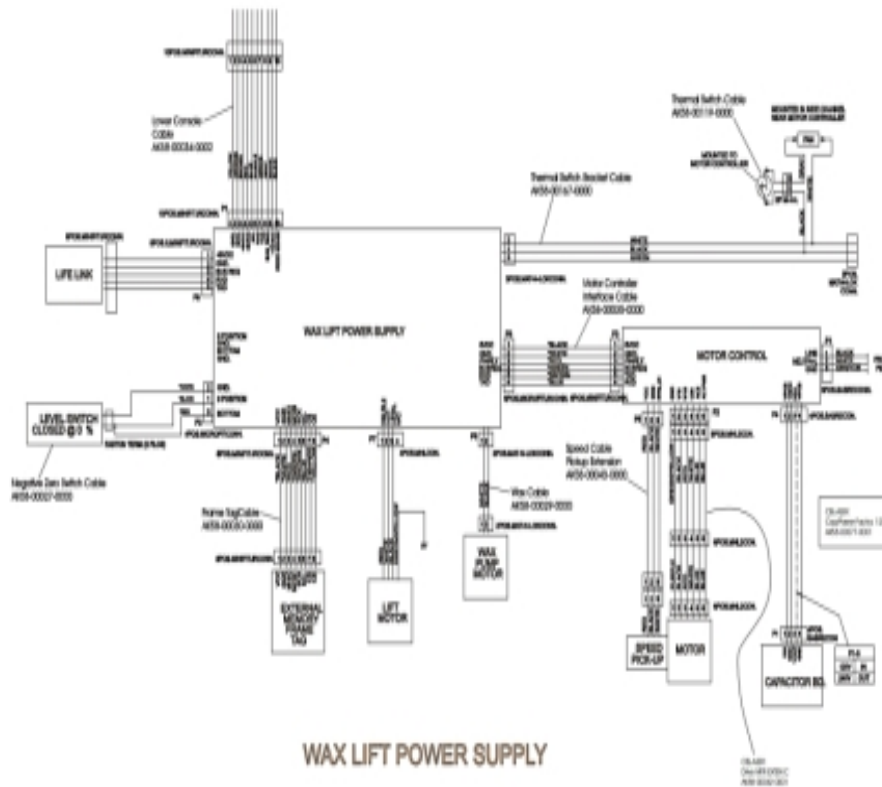
Cables - Message Center Console



Message Center Console

Ref #	Part Number	Qty	Description
-	AK58-00036-0000	1	Cable-Assembly: Emergency-Stop Switch
-	AK58-00034-0001	1	Console Power Cable
-	AK36-00021-0001	1	Cable Assembly - Jack/HR
-	AK58-00033-0000	1	Polar Cable
-	AK58-00041-0001	1	Heart Rate Sensor Cable

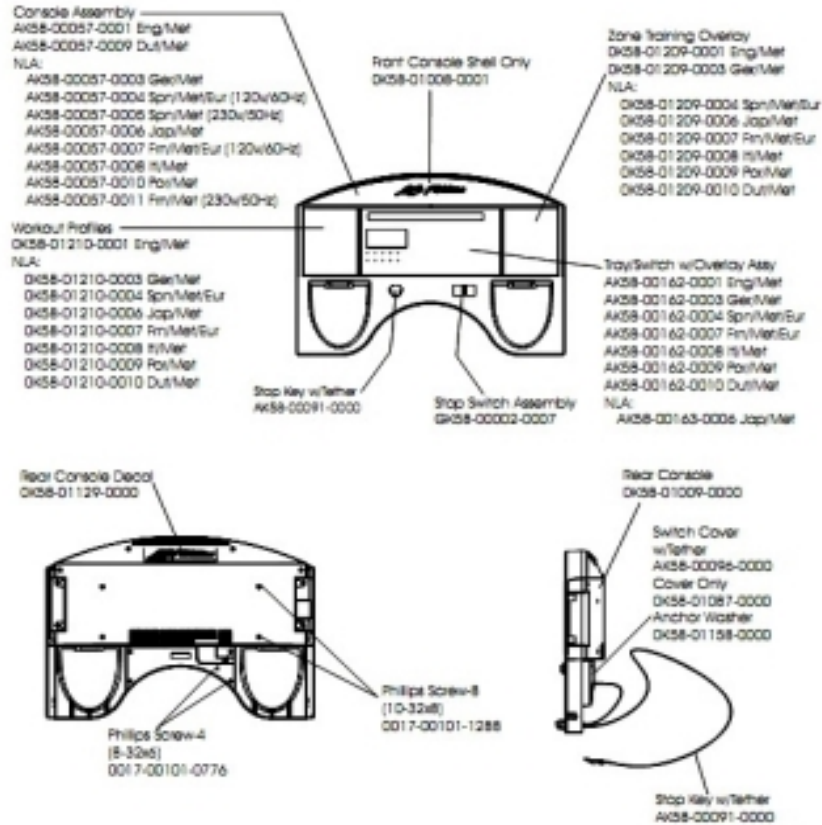
Cables - Wax Lift Power Supply



WAX LIFT POWER SUPPLY

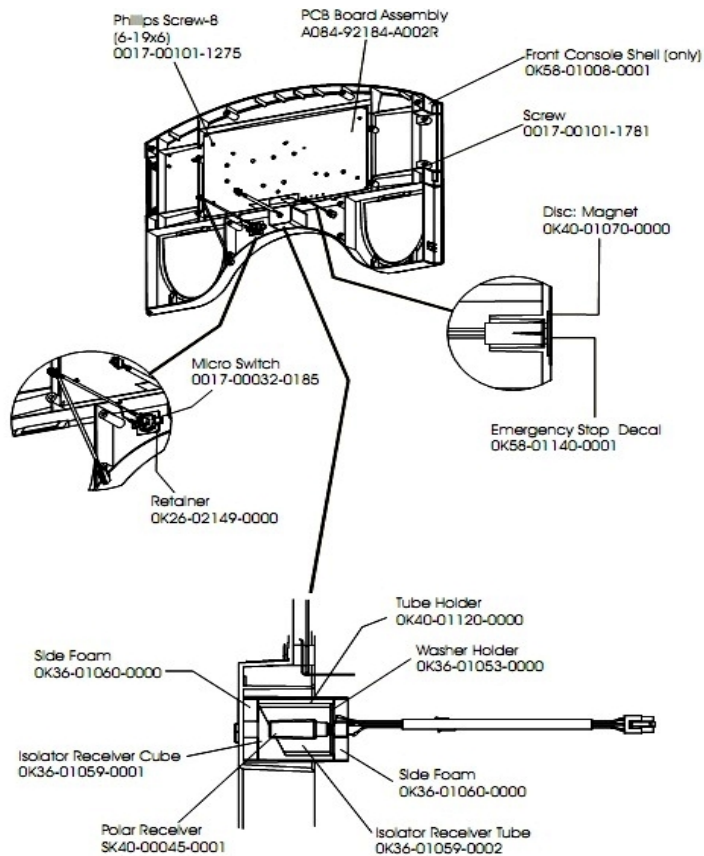
Ref #	Part Number	Qty	Description
-	AK58-00030-0000	1	Frame Tag Cable
-	AK58-00119-0000	1	Thermal Switch
-	AK58-00077-0001	1	Cap Board Cable - Domestic
-	AK58-00027-0000	1	Limit Switch Cable
-	AK58-00035-0000	1	Motor Controller Interface Cable
-	AK58-00043-0000	1	Speed Sensor Cable
-	AK58-00042-0001	1	Cable Assembly
-	AK58-00167-0000	1	Thermal Switch Bracket Cable
-	AK58-00029-0000	1	Wax Pump Cable
-	AK58-00034-0002	1	Console Cable

Console (External View)



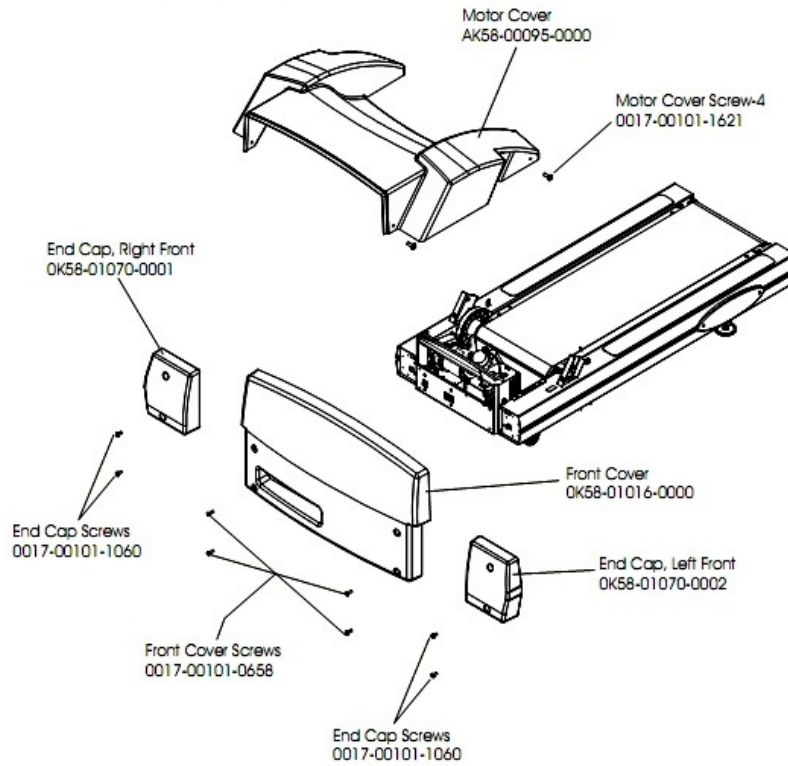
Ref #	Part Number	Qty	Description
-	0017-00101-1288	1	Hardware: Phillips Screw 0.5"
-	AK58-00057-0001	1	Console Assembly English/Metric
-	AK58-00162-0001	1	Tray/Switch with Overlay Assy English/Metric
-	OK58-01209-0001	1	Zone Training Overlay English/Metric
-	OK58-01210-0001	1	Workout Profiles English/Metric
-	OK58-01087-0000	1	Switch Cover
-	GK58-00002-0007	1	Stop Switch Assembly
-	OK58-01129-0000	1	Rear Console Decal
-	AK58-00096-0000	1	Switch Cover with Tether
-	0017-00101-0776	1	Hardware: Mounting Screws
-	OK58-01158-0000	1	Anchor Washer
-	OK58-01008-0001	1	Front Console Shell (only)
-	OK58-01009-0000	1	Rear Console
-	AK58-00091-0000	2	Stop Key with Tether

Console (Internal View)



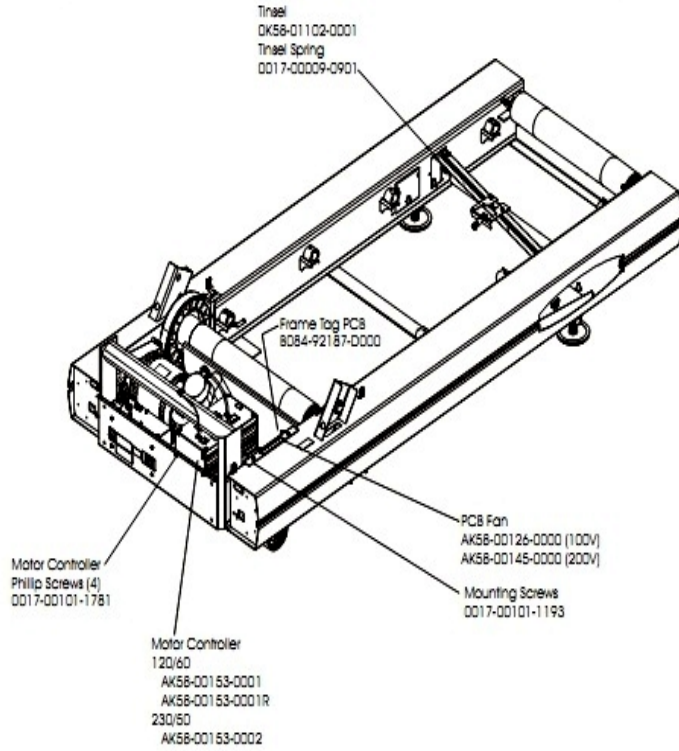
Ref #	Part Number	Qty	Description
-	0K26-02149-0000	1	Retainer
-	0017-00032-0185	1	Micro Switch 150GR
-	0017-00101-1781	1	Hardware: Phillips Pan Screw 0.5"
-	0K58-01008-0001	1	Front Console Shell (only)
-	0K40-01070-0000	1	Magnetic Disk
-	0K58-01140-0001	1	Emergency Stop Decal
-	0K36-01053-0000	1	Hardware: Washer
-	0K36-01059-0002	1	Insulator Receiver Tube
-	SK40-00045-0001	1	Polar HR Kit
-	0K36-01059-0001	1	Isolator Receiver Cube
-	A084-92184-A002R	1	PCB Board Assembly
-	0K40-01120-0000	1	Tube Holder
-	0017-00101-1275	1	Hardware: Phillips Screw 0.375"
-	0K36-01060-0000	2	Side Foam

Covers, End Caps, Hardware



Ref #	Part Number	Qty	Description
-	0017-00101-1621	1	Hardware: Phillips Screw 0.5"
-	0017-00101-0658	1	Hardware: Access Panel Screws
-	OK58-01016-0000	1	Front Cover
-	AK58-00095-0000	1	Motor Cover
-	OK58-01070-0001	1	End Cap
-	OK58-01070-0002	1	End Cap
-	0017-00101-1060	2	Hardware: Bracket Screw

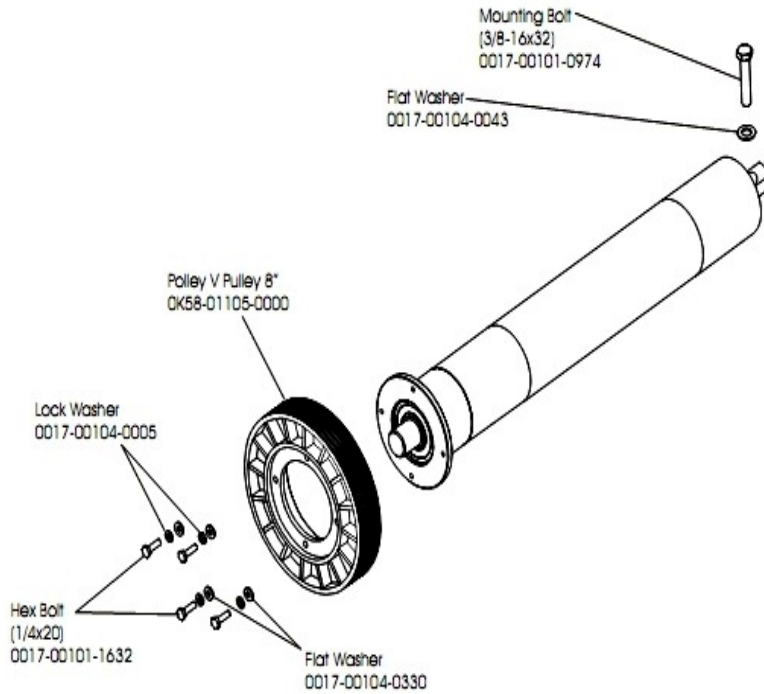
Frame Assembly Components



Ref #	Part Number	Qty	Description
-	0017-00009-0901	1	Tinsel Extension Spring
-	GK65-00002-0019	1	Motor Controller Assembly (200-240V)
-	OK58-01102-0001	1	Anti-Static Tinsel
-	0017-00101-1781	1	Hardware: Phillips Pan Screw 0.5"
-	0017-00101-1193	1	Hardware: Screw 0.375"
-	B084-92187-D000	1	Frame Tag PCB
-	AK58-00145-0000	1	Fan Assembly (200v)

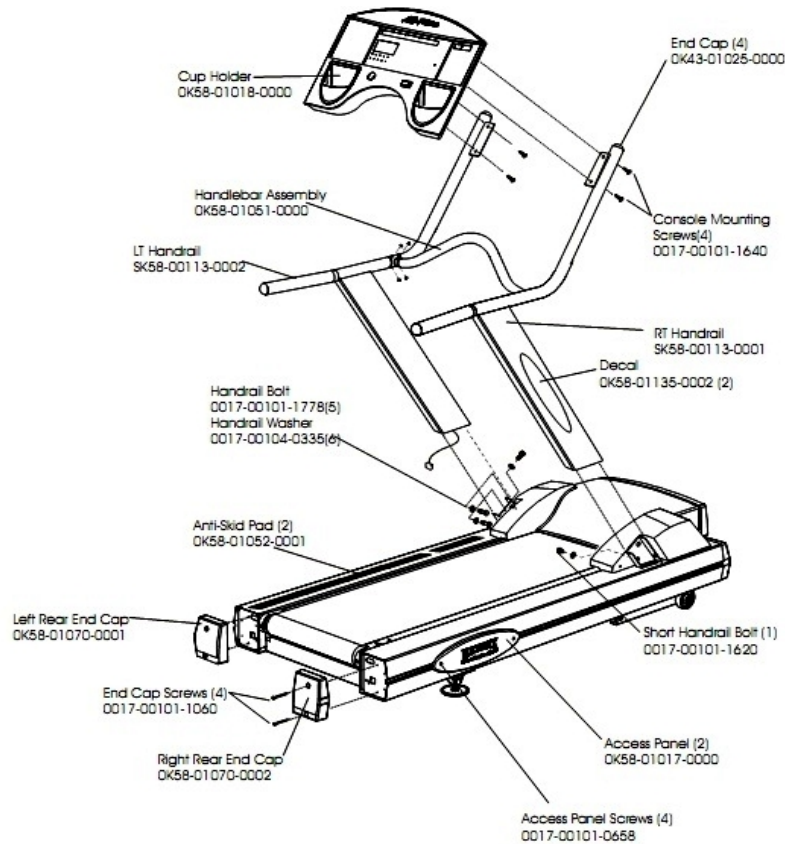
Front Roller Assembly

Front Roller Assembly – AK58-00066-0000



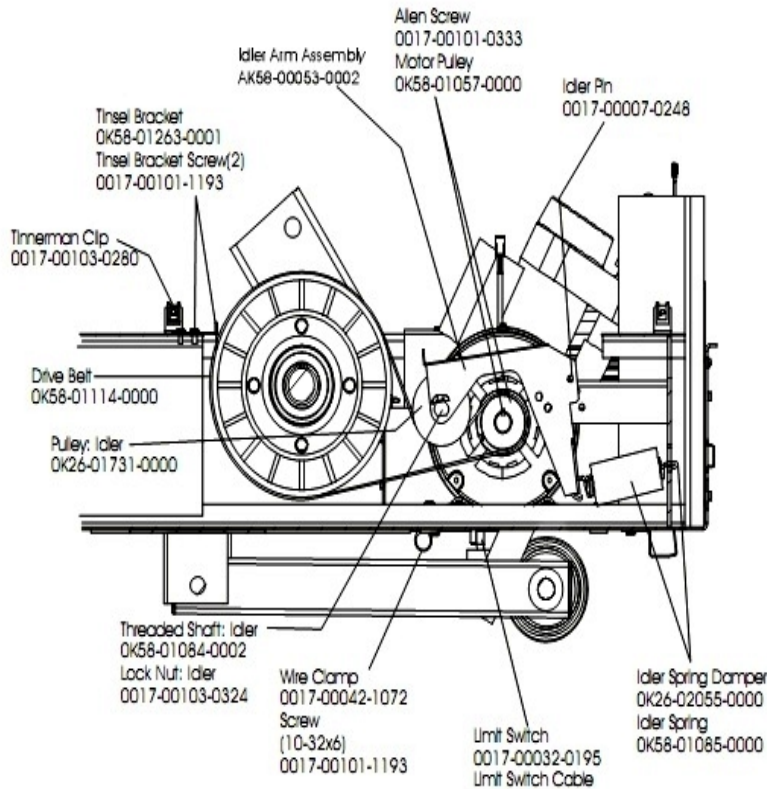
Ref #	Part Number	Qty	Description
-	AK58-00066-0000	1	Front Roller Assembly
-	0017-00104-0330	1	Hardware: Flat Washers 0.562" OD
-	0017-00104-0005	1	Hardware: Lock Washer 0.489" OD
-	0017-00104-0043	1	Hardware: Flat Washer 0.734" OD
-	OK58-01105-0000	1	Drive Pulley Poly V - 8"
-	0017-00101-0974	1	Hardware: Mounting Bolt 2"
-	0017-00101-1632	1	Hardware: Hex Bolt 0.875"

General Assembly



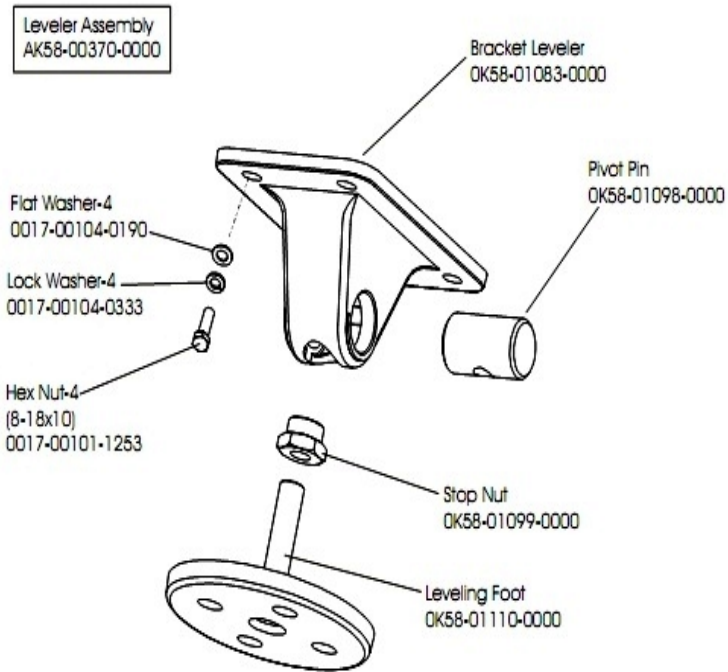
Ref #	Part Number	Qty	Description
-	OK58-01051-0000	1	Handlebar Assembly
-	OK58-01070-0001	1	End Cap
-	OK58-01070-0002	1	End Cap
-	OK58-01052-0001	1	Anti-Skid Pad
-	0017-00101-1620	1	Hardware: Handrail Bolt
-	OK43-01025-0000	1	End Cap
-	SK58-00113-0001	1	Right Handrail
-	0017-00101-0658	1	Hardware: Access Panel Screws
-	0017-00101-1778	1	Hardware: Hex Bolt 1"
-	OK58-01135-0002	1	Decal
-	SK58-00113-0002	1	Left Handrail
-	0017-00101-1640	1	Hardware: Console Mounting Screws
-	0017-00101-1060	1	Hardware: Bracket Screw
-	0017-00104-0335	1	Hardware: Handrail Washer
-	OK58-01018-0000	1	Cup Holder
-	OK58-01017-0000	1	Access Panel

Idler Arm Assembly



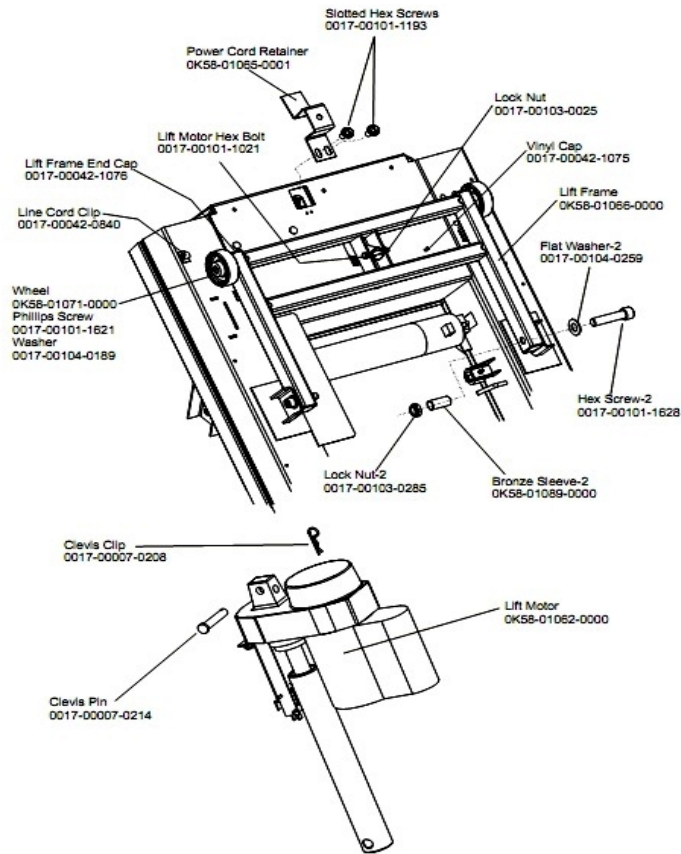
Ref #	Part Number	Qty	Description
-	0017-00103-0324	1	Hardware: Thin Lock Nut 3/8" ID
-	OK26-01731-0000	1	Plastic Idler 2 5/8" OD
-	OK26-02055-0000	1	Spring Damper
-	0017-00032-0195	1	Home Switch
-	0017-00042-1072	1	Hardware: Wire Clamp - 5/8"
-	0017-00007-0248	1	Hardware: Locking Pin .31" D 2.125" L
-	0017-00101-1193	2	Hardware: Screw 0.375"
-	OK58-01057-0000	1	Motor Pulley
-	OK58-01114-0000	1	Poly-V Drive Belt - 370J12
-	OK58-01084-0002	1	Threaded Shaft
-	0017-00103-0280	1	Hardware: Tinnerman Clip
-	OK58-01085-0000	1	Extension Spring
-	OK58-01263-0001	1	Tinsel Bracket
-	0017-00101-0333	1	Hardware: Screw 0.3125"
-	AK58-00053-0002	1	Idler Arm Assembly

Lever Assembly



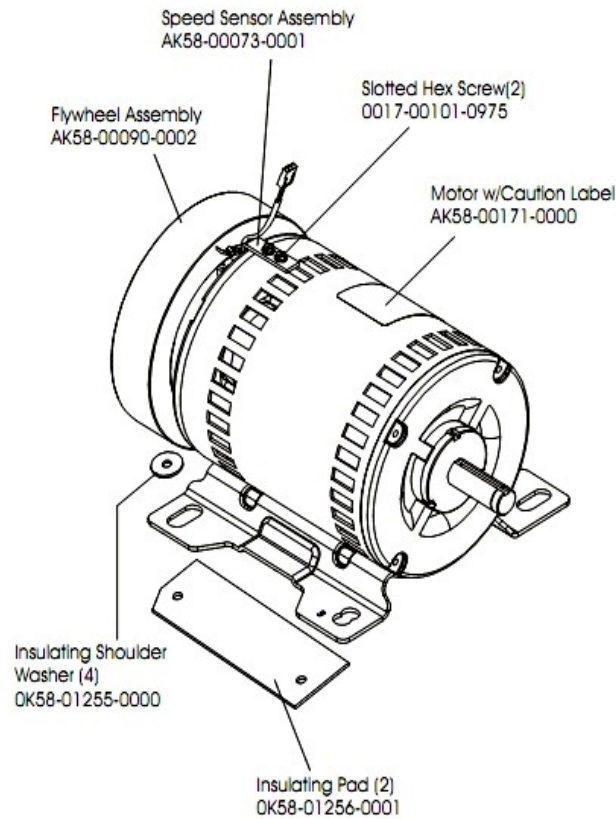
Ref #	Part Number	Qty	Description
-	0017-00104-0190	1	Hardware: Flat Washer 0.734" OD
-	OK58-01099-0000	1	Hardware: Stop Nut
-	AK58-00370-0000	1	Leveler Assembly
-	OK58-01110-0000	1	Leveler Foot
-	OK58-01083-0000	1	Leveler Bracket
-	0017-00104-0333	1	Hardware: Washer 0.683" OD
-	0017-00101-1253	1	Hardware: Screw
-	OK58-01098-0000	1	Hardware: Pivot Pin

Lift Motor And Lift Frame



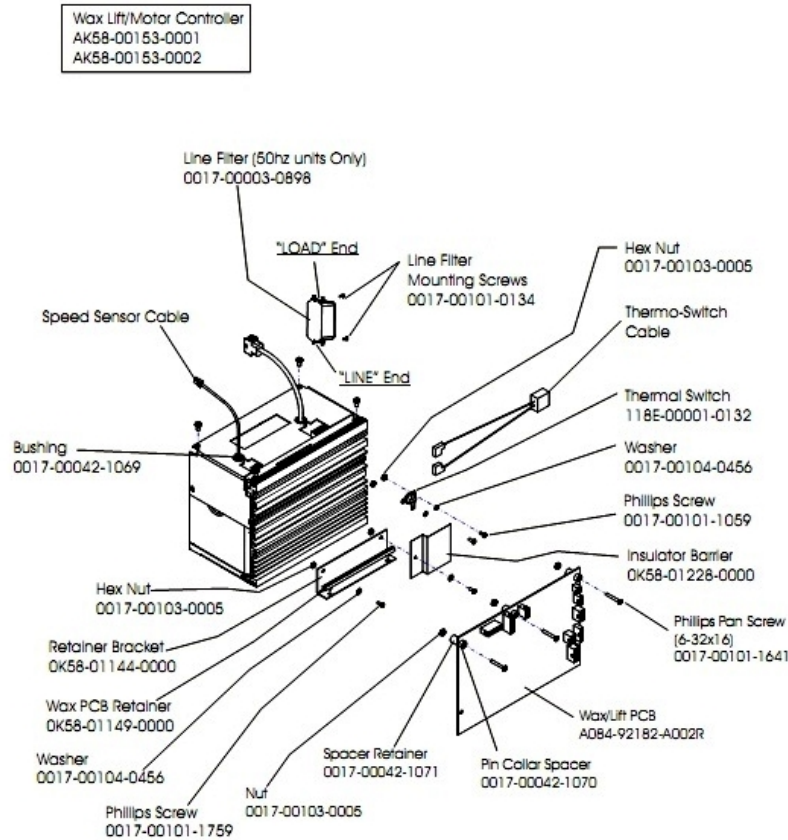
Ref #	Part Number	Qty	Description
-	0017-00101-1193	1	Hardware: Screw 0.375"
-	0017-00103-0285	1	Hardware: Nut 5/8" ID
-	0017-00007-0208	1	Hardware: Cotter Pin
-	0017-00101-1621	1	Hardware: Phillips Screw 0.5"
-	0017-00104-0189	1	Hardware: Flat Washer 1" OD
-	0017-00101-1021	1	Hardware: Lift Motor Hex Bolt 2.5"
-	0017-00101-1628	1	Hardware: Hex Screw
-	0017-00103-0025	1	Hardware: Locking Nut 3/8" ID
-	0017-00104-0259	1	Hardware: Washer 1.331" OD
-	0017-00042-1076	1	Lift Frame End Cap
-	AK58-00220-0000	1	LIFT-FRAME ASSY: MFG. C
-	0K58-01062-0000	1	Lift Motor - 120/60
-	0K58-01089-0000	1	Bronze Sleeve Bushings
-	0017-00042-0840	1	Hardware: Push Mount Clip
-	0K58-01071-0000	1	Wheel
-	0017-00042-1075	1	Vinyl Cap
-	0K58-01065-0001	1	Power Cord Retainer
-	0017-00007-0214	1	Hardware: Clevis Pin 3/8" D 1.75" L

Motor Assembly



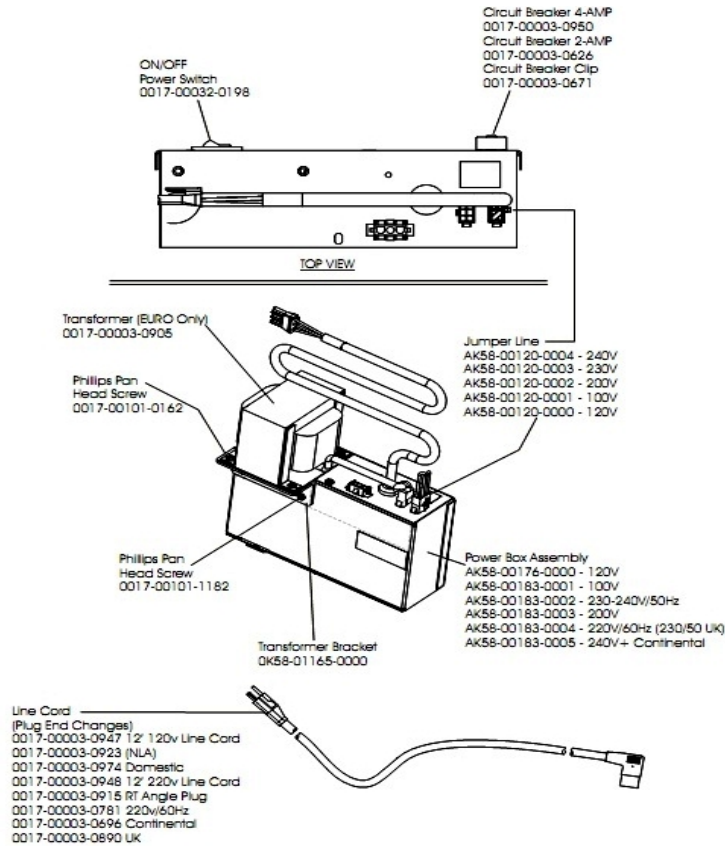
Ref #	Part Number	Qty	Description
-	OK58-01256-0001	1	Insulating Pad
-	0017-00101-0975	1	Hardware: Mounting Bolt 0.375"
-	AK58-00073-0001	1	Speed Sensor Assembly
-	OK58-01255-0000	1	Hardware: Insulating Washers
-	AK58-00171-0000	1	Motor with Caution Label
-	AK58-00090-0002	1	Flywheel Assembly

Motor Controller



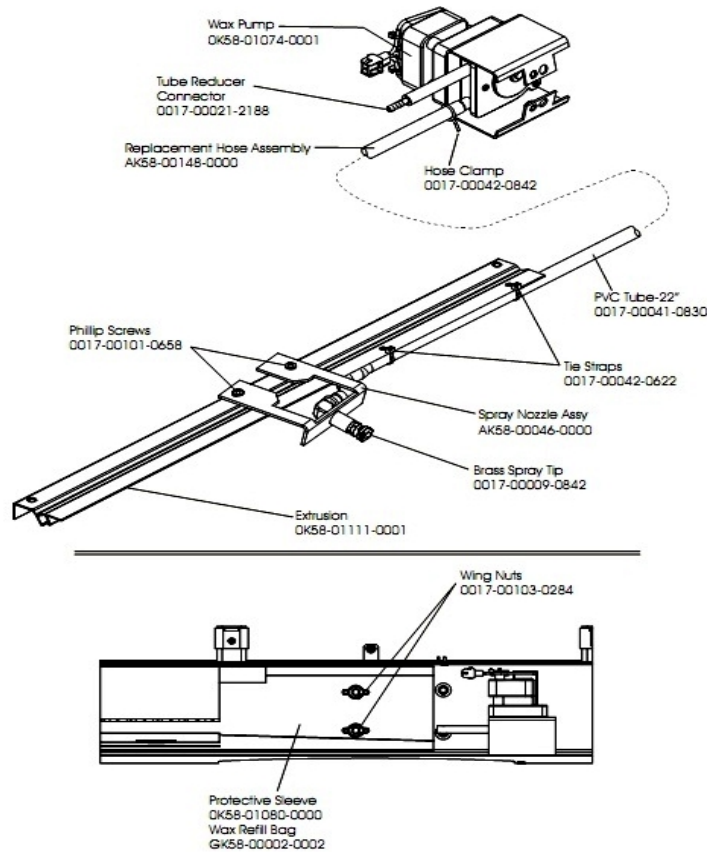
Ref #	Part Number	Qty	Description
-	0017-00104-0456	2	Hardware: Washer 0.31" OD
-	0017-00042-1069	1	Bushing
-	0017-00101-0134	1	Hardware: Line Filter Mounting Screws
-	GK65-00002-0019	1	Motor Controller Assembly (200-240V)
-	118E-00001-0132	1	Thermal Switch
-	0017-00101-1059	1	Hardware: Phillips Screw
-	OK58-01149-0000	1	Wax PCB Retainer
-	OK58-01228-0000	1	Insulator Barrier
-	0017-00103-0005	3	Hardware: Hex Nut
-	A084-92182-A002R	1	Wax/Lift PCB
-	OK58-01144-0000	1	Retainer Bracket
-	0017-00101-1759	1	Hardware: Phillips Screw 0.625"
-	0017-00101-1641	1	Hardware: Phillips Pan Screw
-	0017-00042-1070	1	Pin Collar Spacer
-	0017-00042-1071	1	Spacer Retainer

Power Box Assembly



Ref #	Part Number	Qty	Description
-	0017-00101-0162	1	Hardware: Screw 0.375"
-	0017-00003-0948	1	12' 220v Line Cord
-	0017-00003-0890	1	Line Cord: UK
-	0017-00003-0671	1	Circuit Breaker Clip
-	0017-00032-0198	1	On/Off Switch 22A
-	AK58-00120-0002	1	Jumper Line - 200V
-	0017-00003-0915	1	Line Cord RT Angle Plug
-	0017-00003-0950	1	100v 4 AMP Breaker
-	AK58-00183-0004	1	Power Box Assembly 230V
-	0017-00101-1182	1	Hardware: Phillips Pan Head Screw
-	0K58-01165-0000	1	Transformer Bracket
-	0017-00003-0781	1	Line Cord: US High Voltage
-	0017-00003-0905	1	Transformer (EURO Only)
-	0017-00003-0626	1	CIRCUIT-BREAKER:2A 200-240V

Waxing Components



Ref #	Part Number	Qty	Description
-	OK58-01111-0001	1	Extrusion Assembly
-	AK58-00046-0000	1	Spray Nozzle Assembly
-	0017-00009-0842	1	Brass Spray Tip
-	0017-00041-0830	1	TUBING: PVC; REINFORCED B
-	AK58-00148-0000	1	Replacement Hose
-	OK58-01074-0001	1	Wax Pump
-	OK58-01080-0000	1	Protective Sleeve
-	0017-00042-0622	1	Cable Tie
-	0017-00042-0842	1	Hose Clamp
-	0017-00101-0658	1	Hardware: Access Panel Screws
-	0017-00103-0284	1	Hardware: Wing Nut
-	GK58-00002-0002	1	Wax Refill Bag
-	0017-00021-2188	1	Tube Reducer Connector

