

TR9500HR Treadmill - 4HP AC - Lifepulse

TR95-0101-35

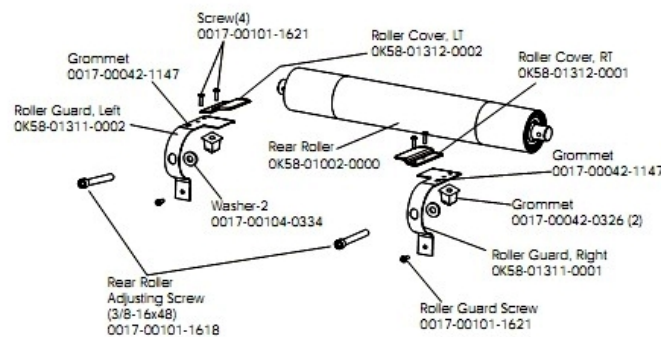
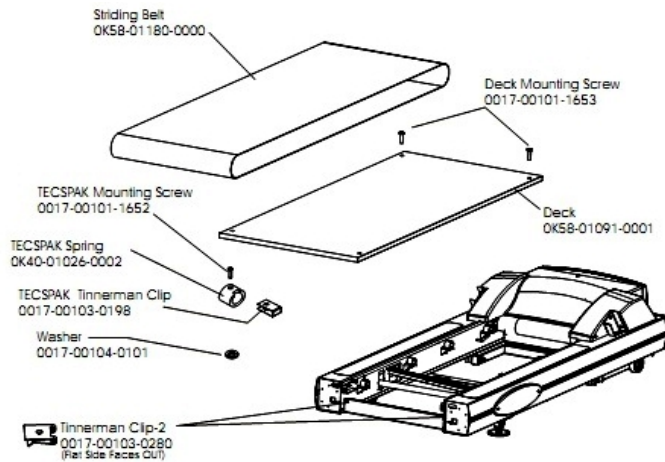
Parts Manual

1/5/2019 17:41:52 PM

Table of Contents

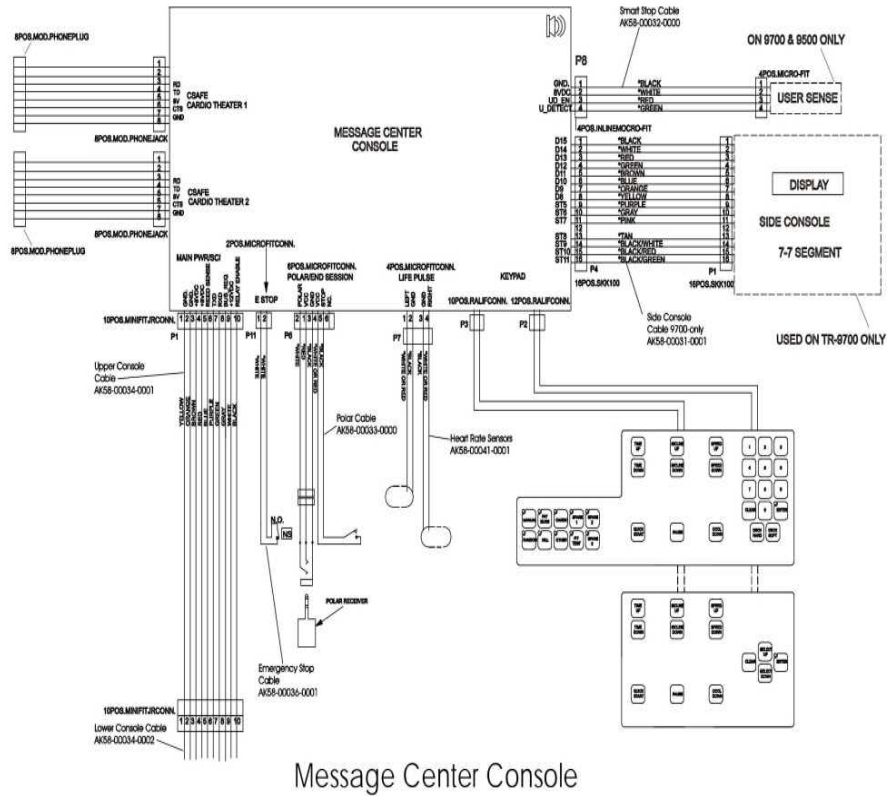
| | |
|--|--------------------|
| Belt, Deck, Rear Roller..... | 3 |
| Cables - Message Center Console..... | 4 |
| Cables - Wax Lift Power Supply..... | 5 |
| Console (External View)..... | 6 |
| Console (Internal View)..... | 7 |
| Covers, End Caps, Hardware..... | 8 |
| Ergo Bar Assembly..... | 9 |
| Frame Assembly Components..... | 10 |
| Front Roller Assembly..... | 11 |
| General Assembly..... | 12 |
| Idler Arm Assembly..... | 13 |
| Lever Assembly..... | 14 |
| Lift Motor And Lift Frame..... | 15 |
| Motor Assembly..... | 16 |
| Motor Controller..... | 17 |
| Power Box Assembly..... | 18 |
| Waxing Components..... | 19 |

Belt, Deck, Rear Roller



| Ref # | Part Number | Qty | Description |
|-------|-----------------|-----|---------------------------------------|
| - | 0017-00101-1775 | 1 | Hardware: Deck Screws 1.25" |
| - | 0017-00103-0280 | 2 | Hardware: Tinnerman Clip |
| - | 0017-00103-0198 | 1 | Hardware: Tinnerman Clip 1/4" ID |
| - | OK58-01180-0000 | 1 | Striding Belt |
| - | OK58-01312-0002 | 1 | Roller Cover Left |
| - | OK58-01311-0001 | 1 | Roller Guard Right |
| - | 0017-00042-0326 | 2 | Hardware: Plastic Grommet |
| - | 0017-00042-1147 | 2 | Hardware: Nylon Grommet |
| - | 0017-00101-1652 | 1 | Hardware: Spring Mounting Screw 1" |
| - | 0017-00104-0334 | 2 | Hardware: Flat Washers 0.880" OD |
| - | 0017-00101-1621 | 5 | Hardware: Phillips Screw 0.5" |
| - | 0017-00104-0101 | 1 | Hardware: Flat Washer 0.437" OD |
| - | OK58-01002-0000 | 1 | Rear Roller - 3.5" |
| - | OK58-01091-0001 | 1 | Deck |
| - | OK58-01312-0001 | 1 | Roller Cover Right |
| - | OK58-01311-0002 | 1 | Roller Guard Left |
| - | 0017-00101-1618 | 1 | Hardware: Rear Roller Adjusting Screw |
| - | OK40-01026-0002 | 1 | Deck Spring |

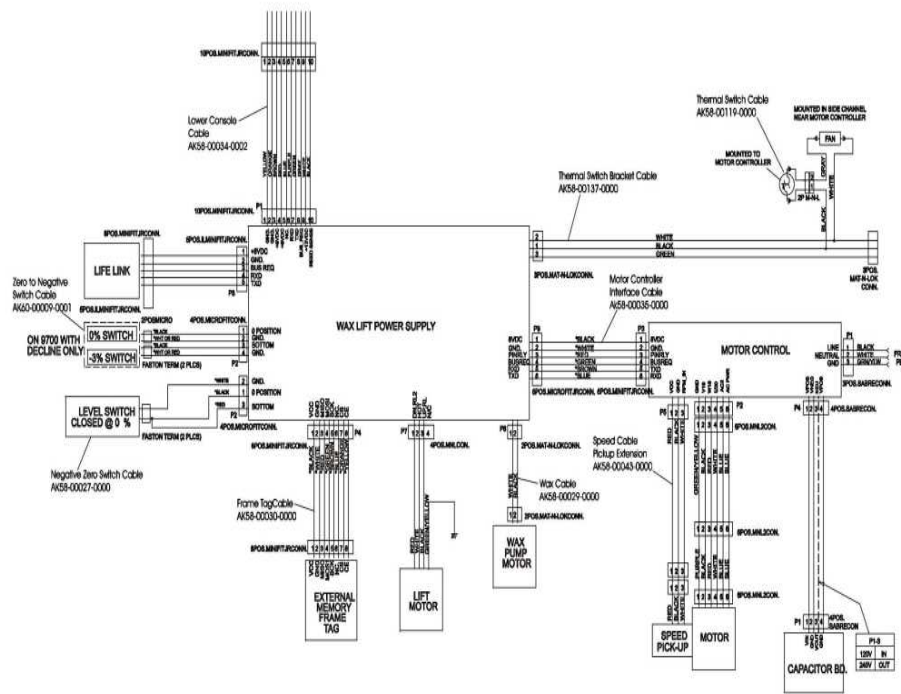
Cables - Message Center Console



Message Center Console

| Ref # | Part Number | Qty | Description |
|-------|-----------------|-----|---------------------------------------|
| - | AK58-00034-0002 | 1 | Console Cable |
| - | AK58-00034-0001 | 1 | Console Power Cable |
| - | AK58-00041-0001 | 1 | Heart Rate Sensor Cable |
| - | AK58-00032-0000 | 1 | User Proximity Sensor Cable |
| - | AK58-00036-0000 | 1 | Cable-Assembly: Emergency-Stop Switch |
| - | AK58-00031-0000 | 1 | Side Console Cable Assembly |
| - | AK58-00033-0000 | 1 | Polar Cable |

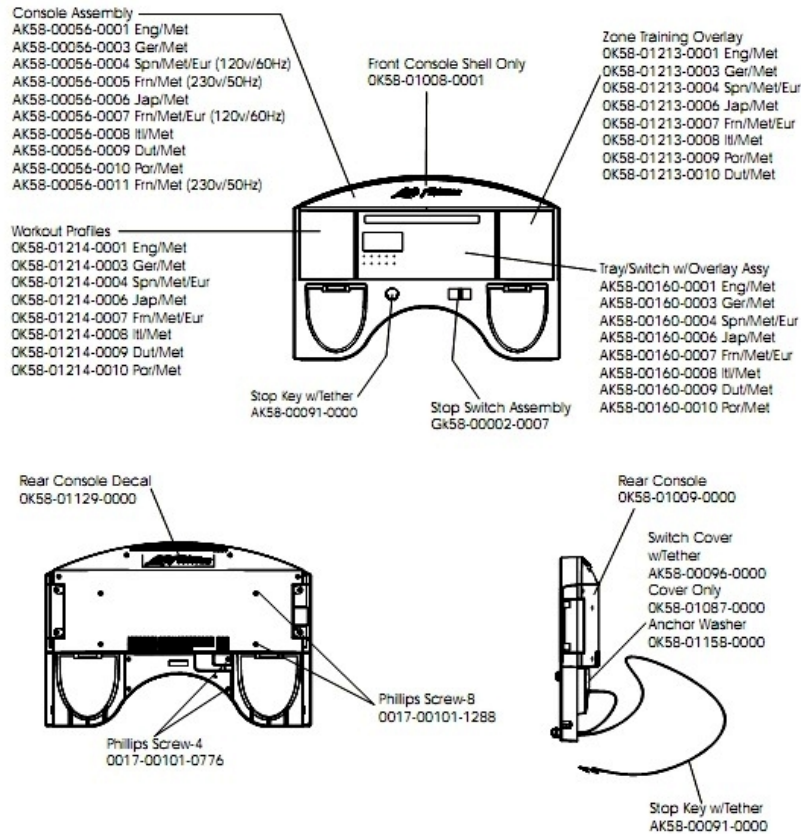
Cables - Wax Lift Power Supply



WAX LIFT POWER SUPPLY

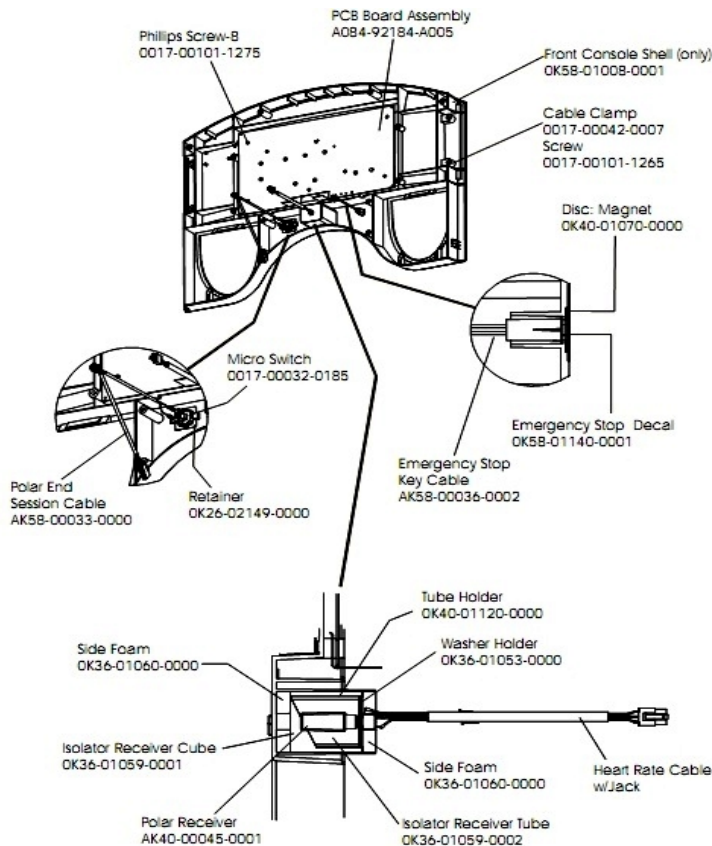
| Ref # | Part Number | Qty | Description |
|-------|-----------------|-----|----------------------------------|
| - | AK58-00119-0000 | 1 | Thermal Switch |
| - | AK58-00035-0000 | 1 | Motor Controller Interface Cable |
| - | AK58-00027-0000 | 1 | Limit Switch Cable |
| - | AK60-00009-0001 | 1 | Negative Switch Cable Assembly |
| - | AK58-00043-0000 | 1 | Speed Sensor Cable |
| - | AK58-00029-0000 | 1 | Wax Pump Cable |
| - | AK58-00140-0000 | 1 | Thermal Switch Assembly |
| - | AK58-00030-0000 | 1 | Frame Tag Cable |
| - | AK58-00034-0002 | 1 | Console Cable |

Console (External View)



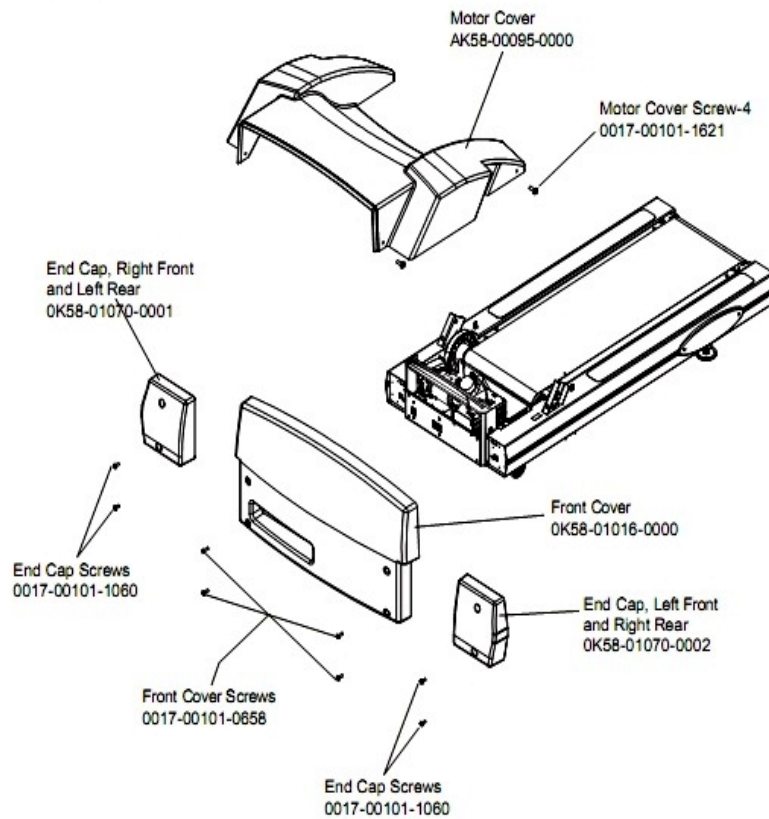
| Ref # | Part Number | Qty | Description |
|-------|-----------------|-----|--|
| - | OK58-01129-0000 | 1 | Rear Console Decal |
| - | 0017-00101-0776 | 4 | Hardware: Mounting Screws |
| - | AK58-00091-0000 | 2 | Stop Key with Tether |
| - | OK58-01009-0000 | 1 | Rear Console |
| - | OK58-01214-0001 | 1 | Workout Profiles English/Metric |
| - | OK58-01213-0001 | 1 | Zone Training Overlay English/Metric |
| - | AK58-00096-0000 | 1 | Switch Cover with Tether |
| - | AK58-00160-0001 | 1 | Tray/Switch with Overlay Assy English/Metric |
| - | GK58-00002-0007 | 1 | Stop Switch Assembly |
| - | OK58-01158-0000 | 1 | Anchor Washer |
| - | AK58-00056-0001 | 1 | Console Assembly English/Metric |
| - | OK58-01008-0001 | 1 | Front Console Shell (only) |
| - | OK58-01087-0000 | 1 | Switch Cover |
| - | 0017-00101-1288 | 8 | Hardware: Phillips Screw 0.5" |

Console (Internal View)



| Ref # | Part Number | Qty | Description |
|-------|-----------------|-----|---------------------------------------|
| - | AK58-00036-0000 | 1 | Cable-Assembly: Emergency-Stop Switch |
| - | OK26-02149-0000 | 1 | Retainer |
| - | 0017-00032-0185 | 1 | Micro Switch 150GR |
| - | 0017-00101-1781 | 1 | Hardware: Phillips Pan Screw 0.5" |
| - | OK40-01070-0000 | 1 | Magnetic Disk |
| - | OK58-01140-0001 | 1 | Emergency Stop Decal |
| - | OK36-01053-0000 | 1 | Hardware: Washer |
| - | SK40-00045-0001 | 1 | Polar HR Kit |
| - | OK36-01059-0002 | 1 | Insulator Receiver Tube |
| - | AK58-00033-0000 | 1 | Polar Cable |
| - | A084-92184-A005 | 1 | PCB Board Assembly |
| - | OK36-01059-0001 | 1 | Isolator Receiver Cube |
| - | 0017-00042-0007 | 1 | Cable Clamp |
| - | OK36-01060-0000 | 2 | Side Foam |
| - | OK58-01008-0001 | 1 | Front Console Shell (only) |
| - | OK40-01120-0000 | 1 | Tube Holder |
| - | 0017-00101-1275 | 8 | Hardware: Phillips Screw 0.375" |

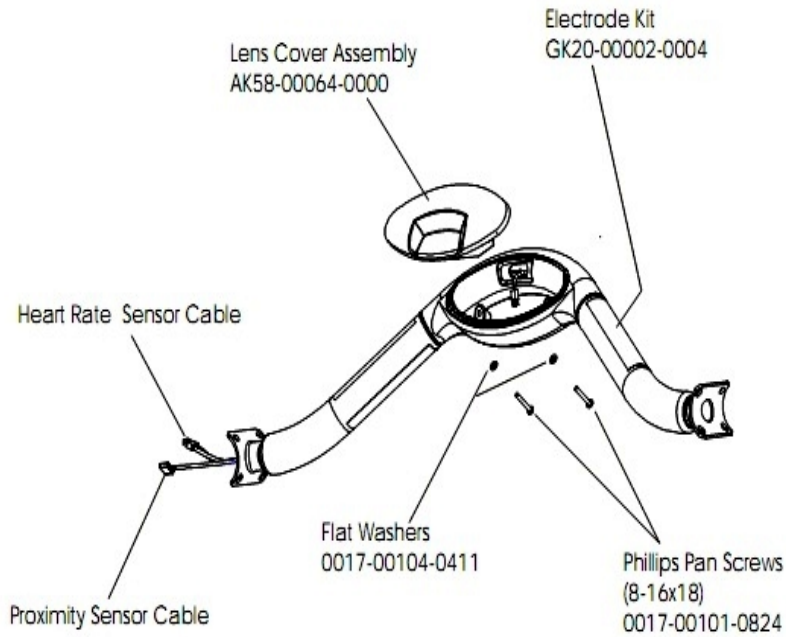
Covers, End Caps, Hardware



| Ref # | Part Number | Qty | Description |
|-------|-----------------|-----|-------------------------------|
| - | OK58-01070-0001 | 1 | End Cap |
| - | 0017-00101-0658 | 4 | Hardware: Access Panel Screws |
| - | OK58-01070-0002 | 1 | End Cap |
| - | OK58-01016-0000 | 1 | Front Cover |
| - | 0017-00101-1060 | 4 | Hardware: Bracket Screw |
| - | 0017-00101-1621 | 4 | Hardware: Phillips Screw 0.5" |
| - | AK58-00095-0000 | 1 | Motor Cover |

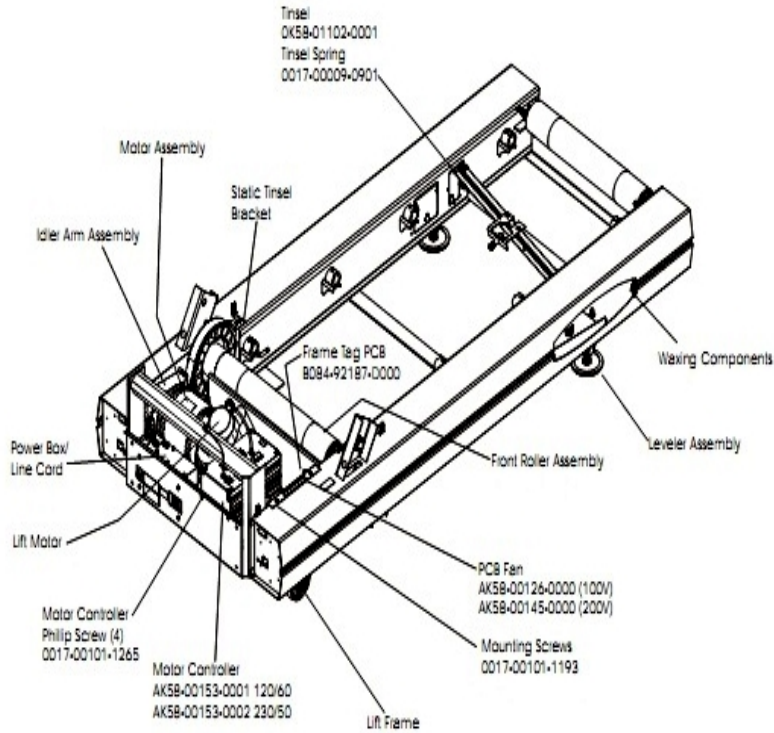
Ergo Bar Assembly

ERGO Bar Assembly – AK58-00018-0000



| Ref # | Part Number | Qty | Description |
|-------|-----------------|-----|---------------------------------|
| - | GK20-00002-0004 | 1 | Heart Rate Electrode Kit |
| - | AK58-00064-0000 | 1 | I/R Lens Cover Assembly |
| - | AK58-00018-0000 | 1 | Ergo Bar Assembly |
| - | 0017-00101-0824 | 8 | Hardware: Screw 1.125" |
| - | 0017-00104-0411 | 1 | Hardware: Flat Washer 0.375" OD |

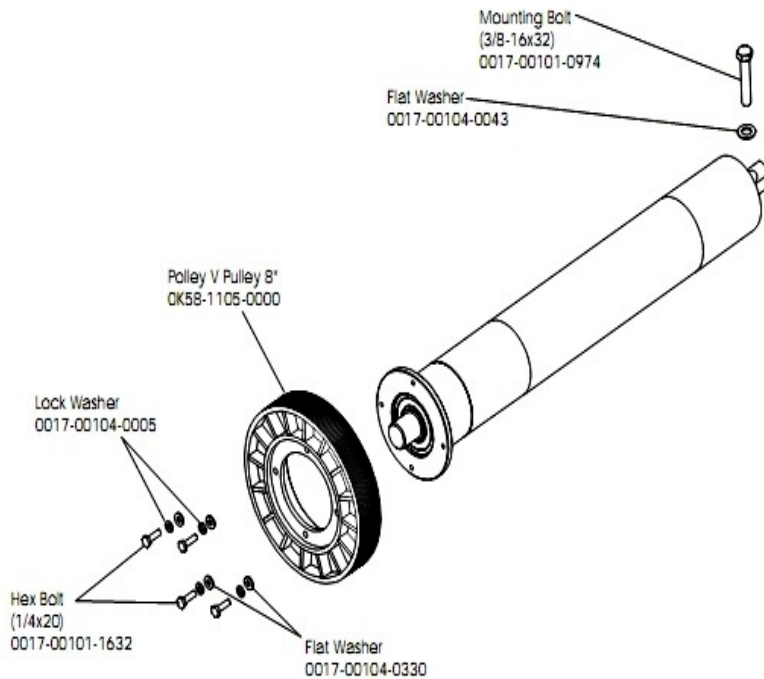
Frame Assembly Components



| Ref # | Part Number | Qty | Description |
|-------|-----------------|-----|--------------------------------------|
| - | 0017-00009-0901 | 1 | Tinsel Extension Spring |
| - | GK65-00002-0019 | 1 | Motor Controller Assembly (200-240V) |
| - | OK58-01102-0001 | 1 | Anti-Static Tinsel |
| - | 0017-00101-1781 | 4 | Hardware: Phillips Pan Screw 0.5" |
| - | 0017-00101-1193 | 1 | Hardware: Screw 0.375" |
| - | B084-92187-D000 | 1 | Frame Tag PCB |
| - | AK58-00145-0000 | 1 | Fan Assembly (200v) |

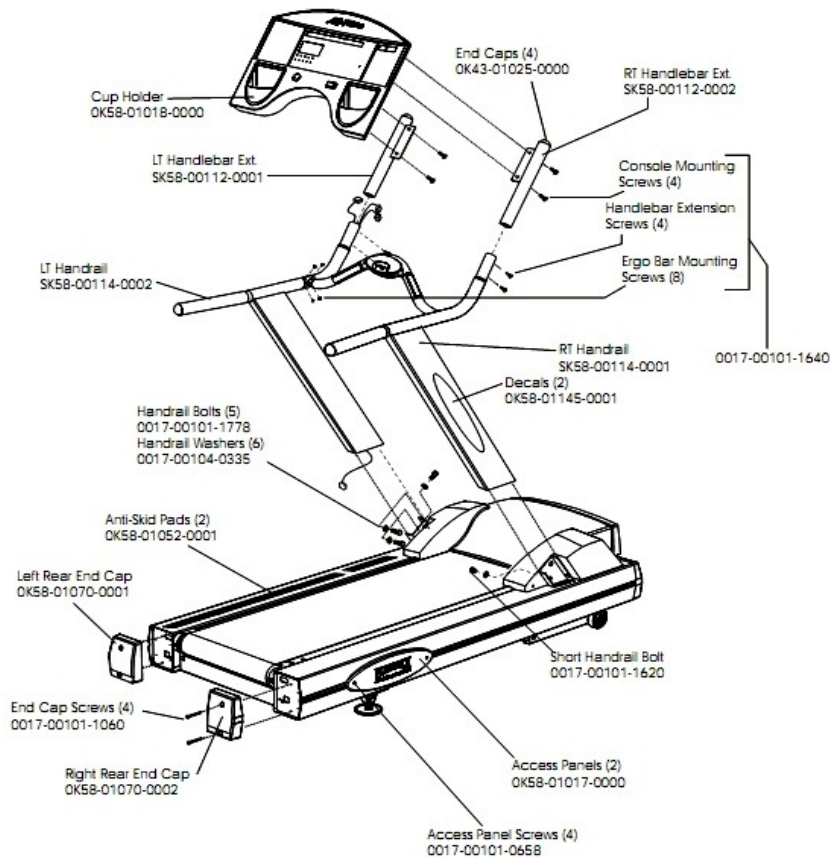
Front Roller Assembly

Front Roller Assembly – AK58-00066-0000



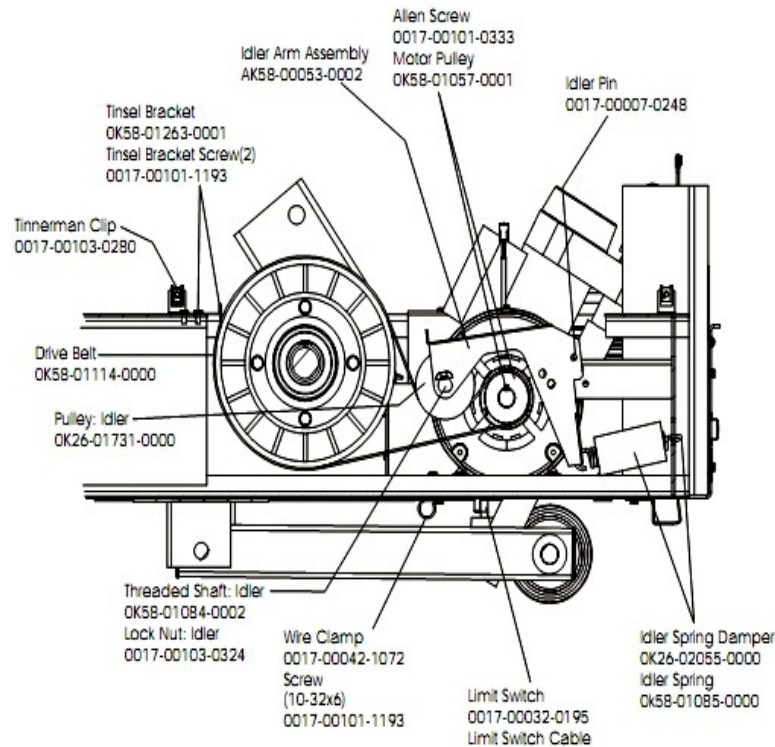
| Ref # | Part Number | Qty | Description |
|-------|-----------------|-----|----------------------------------|
| - | AK58-00066-0000 | 1 | Front Roller Assembly |
| - | 0017-00104-0330 | 1 | Hardware: Flat Washers 0.562" OD |
| - | 0017-00104-0005 | 1 | Hardware: Lock Washer 0.489" OD |
| - | 0017-00104-0043 | 1 | Hardware: Flat Washer 0.734" OD |
| - | 0K58-01105-0000 | 1 | Drive Pulley Poly V - 8" |
| - | 0017-00101-0974 | 1 | Hardware: Mounting Bolt 2" |
| - | 0017-00101-1632 | 1 | Hardware: Hex Bolt 0.875" |

General Assembly



| Ref # | Part Number | Qty | Description |
|-------|-----------------|-----|-----------------------------------|
| - | OK58-01017-0000 | 2 | Access Panel |
| - | SK58-00114-0001 | 1 | Right Handrail |
| - | SK58-00112-0002 | 1 | Left Handlebar Extension |
| - | SK58-00112-0001 | 1 | Left Handlebar Extension |
| - | OK58-01145-0001 | 2 | Decal |
| - | OK58-01052-0001 | 2 | Anti-Skid Pad |
| - | 0017-00101-1620 | 1 | Hardware: Handrail Bolt |
| - | OK43-01025-0000 | 4 | End Cap |
| - | 0017-00101-0658 | 4 | Hardware: Access Panel Screws |
| - | 0017-00101-1778 | 5 | Hardware: Hex Bolt 1" |
| - | 0017-00101-1640 | 16 | Hardware: Console Mounting Screws |
| - | SK58-00114-0002 | 1 | Left Handrail |
| - | OK58-01018-0000 | 1 | Cup Holder |
| - | OK58-01070-0001 | 1 | End Cap |
| - | 0017-00101-1060 | 4 | Hardware: Bracket Screw |
| - | 0017-00104-0335 | 6 | Hardware: Handrail Washer |
| - | OK58-01070-0002 | 1 | End Cap |

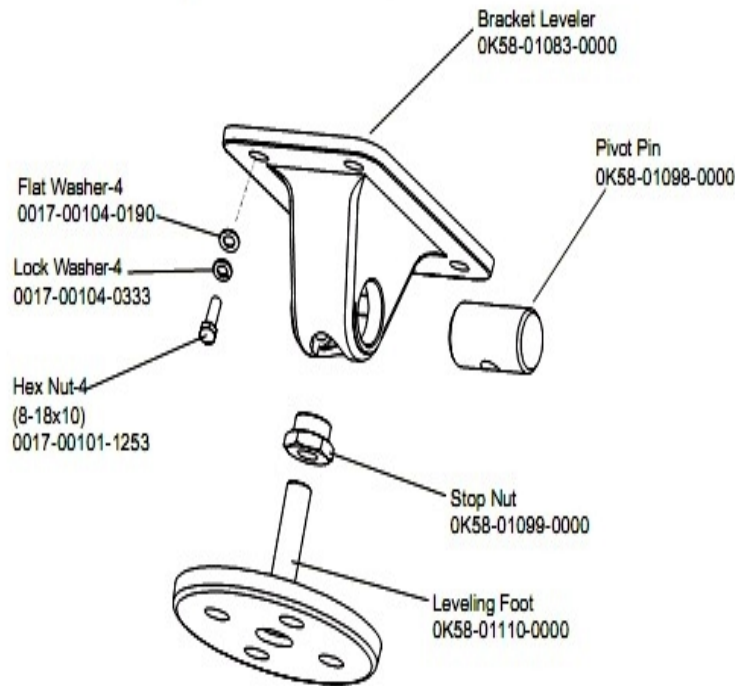
Idler Arm Assembly



| Ref # | Part Number | Qty | Description |
|-------|-----------------|-----|---------------------------------------|
| - | OK58-01057-0001 | 1 | Drive Pulley - 1.971" |
| - | OK58-01263-0001 | 1 | Tinsel Bracket |
| - | OK26-01731-0000 | 1 | Plastic Idler 2 5/8" OD |
| - | OK26-02055-0000 | 1 | Spring Damper |
| - | 0017-00032-0195 | 1 | Home Switch |
| - | 0017-00042-1072 | 1 | Hardware: Wire Clamp - 5/8" |
| - | 0017-00007-0248 | 1 | Hardware: Locking Pin .31" D 2.125" L |
| - | 0017-00101-1193 | 3 | Hardware: Screw 0.375" |
| - | OK58-01114-0000 | 1 | Poly-V Drive Belt - 370J12 |
| - | OK58-01084-0002 | 1 | Threaded Shaft |
| - | 0017-00101-0333 | 1 | Hardware: Screw 0.3125" |
| - | AK58-00053-0002 | 1 | Idler Arm Assembly |
| - | 0017-00103-0280 | 1 | Hardware: Tinnerman Clip |
| - | OK58-01085-0000 | 1 | Extension Spring |
| - | 0017-00103-0324 | 1 | Hardware: Thin Lock Nut 3/8" ID |

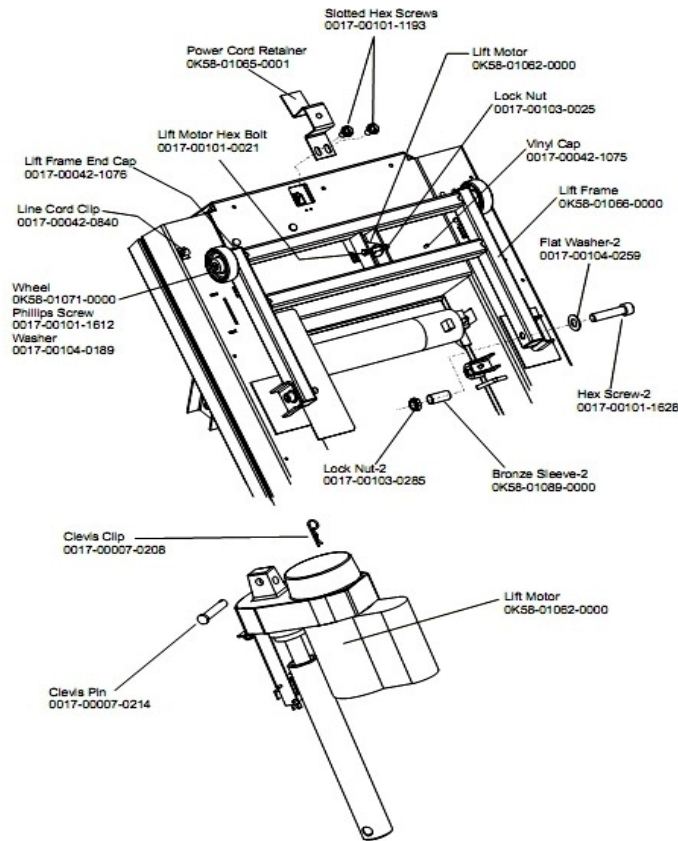
Lever Assembly

Leveler Assembly - AK58-00052-0000



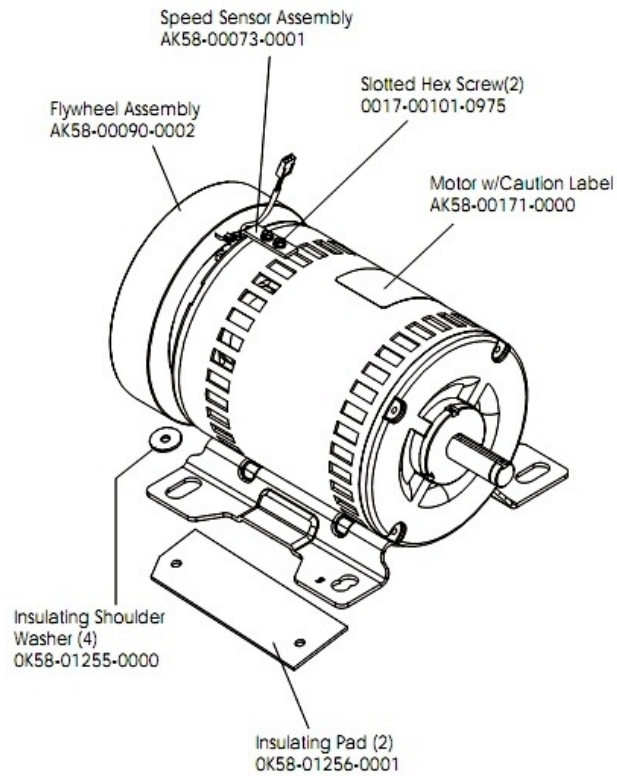
| Ref # | Part Number | Qty | Description |
|-------|-----------------|-----|---------------------------------|
| - | OK58-01099-0000 | 1 | Hardware: Stop Nut |
| - | AK58-00370-0000 | 1 | Leveler Assembly |
| - | OK58-01110-0000 | 1 | Leveler Foot |
| - | 0017-00104-0333 | 4 | Hardware: Washer 0.683" OD |
| - | OK58-01083-0000 | 1 | Leveler Bracket |
| - | 0017-00101-1253 | 4 | Hardware: Screw |
| - | OK58-01098-0000 | 1 | Hardware: Pivot Pin |
| - | 0017-00104-0190 | 4 | Hardware: Flat Washer 0.734" OD |

Lift Motor And Lift Frame



| Ref # | Part Number | Qty | Description |
|-------|-----------------|-----|-------------------------------------|
| - | 0017-00042-1076 | 1 | Lift Frame End Cap |
| - | 0017-00101-1193 | 1 | Hardware: Screw 0.375" |
| - | 0017-00103-0285 | 2 | Hardware: Nut 5/8" ID |
| - | 0017-00007-0208 | 1 | Hardware: Cotter Pin |
| - | 0017-00104-0189 | 1 | Hardware: Flat Washer 1" OD |
| - | 0017-00101-1021 | 1 | Hardware: Lift Motor Hex Bolt 2.5" |
| - | 0017-00101-1628 | 2 | Hardware: Hex Screw |
| - | 0017-00103-0025 | 1 | Hardware: Locking Nut 3/8" ID |
| - | 0017-00104-0259 | 2 | Hardware: Washer 1.331" OD |
| - | AK58-00220-0000 | 1 | LIFT-FRAME ASSY: MFG. C |
| - | OK58-01062-0000 | 2 | Lift Motor - 120/60 |
| - | OK58-01089-0000 | 2 | Bronze Sleeve Bushings |
| - | 0017-00042-0840 | 1 | Hardware: Push Mount Clip |
| - | OK58-01071-0000 | 1 | Wheel |
| - | 0017-00101-1612 | 1 | Hardware: Phillips Screw 0.5" |
| - | 0017-00042-1075 | 1 | Vinyl Cap |
| - | OK58-01065-0001 | 1 | Power Cord Retainer |
| - | 0017-00007-0214 | 1 | Hardware: Clevis Pin 3/8" D 1.75" L |

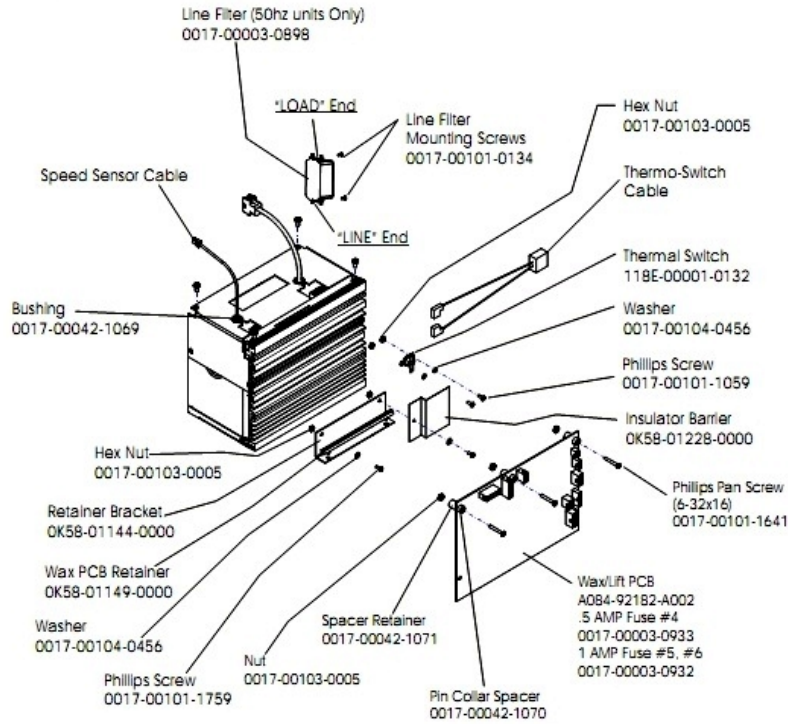
Motor Assembly



| Ref # | Part Number | Qty | Description |
|-------|-----------------|-----|--------------------------------|
| - | 0017-00101-0975 | 2 | Hardware: Mounting Bolt 0.375" |
| - | AK58-00171-0000 | 1 | Motor with Caution Label |
| - | OK58-01256-0001 | 2 | Insulating Pad |
| - | AK58-00073-0001 | 1 | Speed Sensor Assembly |
| - | AK58-00090-0002 | 1 | Flywheel Assembly |
| - | OK58-01255-0000 | 4 | Hardware: Insulating Washers |

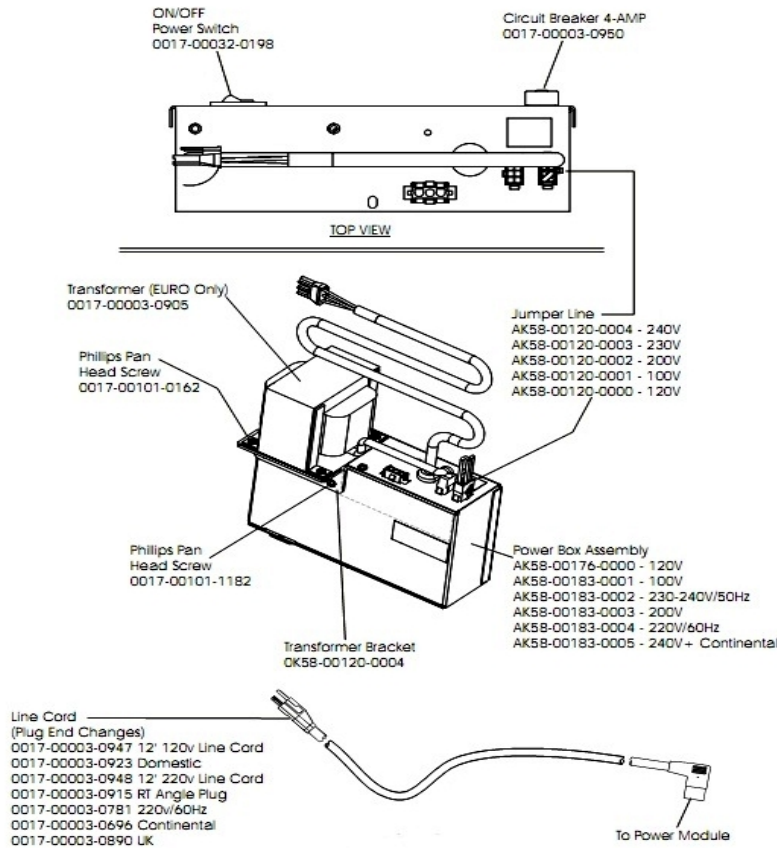
Motor Controller

Wax Lift / Motor Controller
AK58-00164-0001 120v
AK58-00164-0002 230



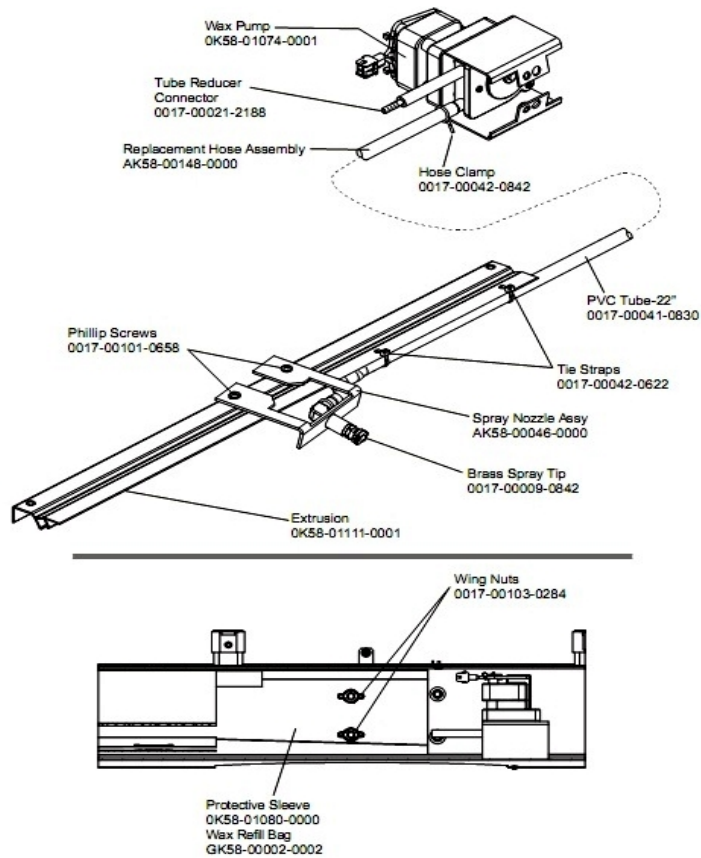
| Ref # | Part Number | Qty | Description |
|-------|-----------------|-----|---------------------------------------|
| - | 0017-00042-1071 | 1 | Spacer Retainer |
| - | 0017-00101-1641 | 1 | Hardware: Phillips Pan Screw |
| - | 0017-00101-1759 | 1 | Hardware: Phillips Screw 0.625" |
| - | 0K58-01144-0000 | 1 | Retainer Bracket |
| - | 0017-00003-0933 | 1 | .5 AMP Fuse #4 |
| - | 0017-00103-0005 | 3 | Hardware: Hex Nut |
| - | 0017-00104-0456 | 2 | Hardware: Washer 0.31" OD |
| - | 0017-00042-1069 | 1 | Bushing |
| - | 0017-00101-0134 | 1 | Hardware: Line Filter Mounting Screws |
| - | GK65-00002-0019 | 1 | Motor Controller Assembly (200-240V) |
| - | 0017-00003-0932 | 1 | 1 AMP Fuse #5 #6 |
| - | 118E-00001-0132 | 1 | Thermal Switch |
| - | A084-92182-A002 | 1 | Wax/Lift PCB |
| - | 0017-00042-1070 | 1 | Pin Collar Spacer |
| - | 0017-00101-1059 | 1 | Hardware: Phillips Screw |
| - | 0K58-01149-0000 | 1 | Wax PCB Retainer |
| - | 0K58-01228-0000 | 1 | Insulator Barrier |

Power Box Assembly



| Ref # | Part Number | Qty | Description |
|-------|-----------------|-----|--|
| - | 0017-00101-0162 | 1 | Hardware: Screw 0.375" |
| - | 0K58-01314-0000 | 1 | Transformer Bracket |
| - | 0017-00101-1182 | 1 | Hardware: Phillips Pan Head Screw |
| - | AK58-00183-0002 | 1 | Power Box Assembly 220-240V |
| - | 0017-00003-0915 | 1 | Line Cord RT Angle Plug |
| - | 0017-00003-0950 | 1 | 100v 4 AMP Breaker |
| - | AK58-00120-0003 | 1 | Jumper Line 230V |
| - | 0017-00032-0198 | 1 | On/Off Switch 22A |
| - | 0017-00003-0696 | 1 | Line Cord: International High Voltage (Cont.) 103" |
| - | 0017-00003-0948 | 1 | 12' 220v Line Cord |

Waxing Components



| Ref # | Part Number | Qty | Description |
|-------|-----------------|-----|-------------------------------|
| - | 0017-00101-0658 | 1 | Hardware: Access Panel Screws |
| - | GK58-00002-0002 | 1 | Wax Refill Bag |
| - | 0017-00103-0284 | 1 | Hardware: Wing Nut |
| - | OK58-01080-0000 | 1 | Protective Sleeve |
| - | 0017-00042-0842 | 1 | Hose Clamp |
| - | 0017-00021-2188 | 1 | Tube Reducer Connector |
| - | OK58-01111-0001 | 1 | Extrusion Assembly |
| - | AK58-00148-0000 | 1 | Replacement Hose |
| - | 0017-00041-0830 | 1 | TUBING: PVC; REINFORCED B |
| - | 0017-00009-0842 | 1 | Brass Spray Tip |
| - | 0017-00042-0622 | 1 | Cable Tie |
| - | AK58-00046-0000 | 1 | Spray Nozzle Assembly |
| - | OK58-01074-0001 | 1 | Wax Pump |

