

TR9500HR Treadmill

TR95-0102-34

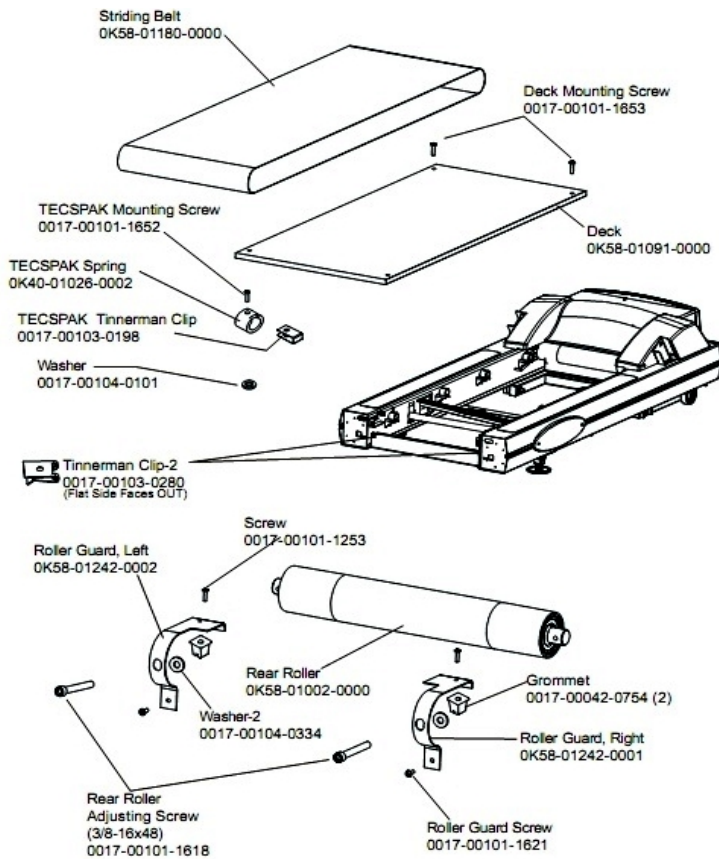
Parts Manual

1/5/2019 17:41:53 PM

Table of Contents

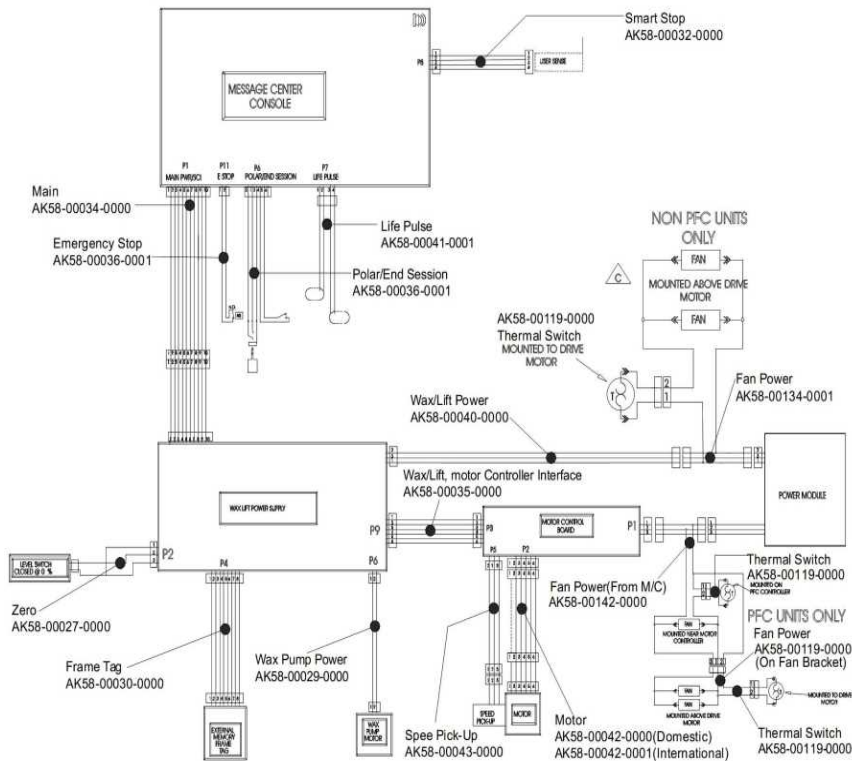
Belt, Deck, Rear Roller.....	3
Cables.....	4
Console (External View).....	5
Console (Internal View).....	6
Covers, End Caps, Hardware.....	7
Frame Assembly.....	8
Front Roller Assembly.....	9
General Assembly.....	10
Handle Bar Assembly.....	11
Idler Arm Assembly.....	12
Lever Assembly.....	13
Lift Motor And Lift Frame.....	15
Motor And Fan Assemblies.....	16
Motor Controller Without PFC.....	17
Motor Controller With PFC.....	18
Power Box Assembly.....	19
Waxing Components.....	20

Belt, Deck, Rear Roller



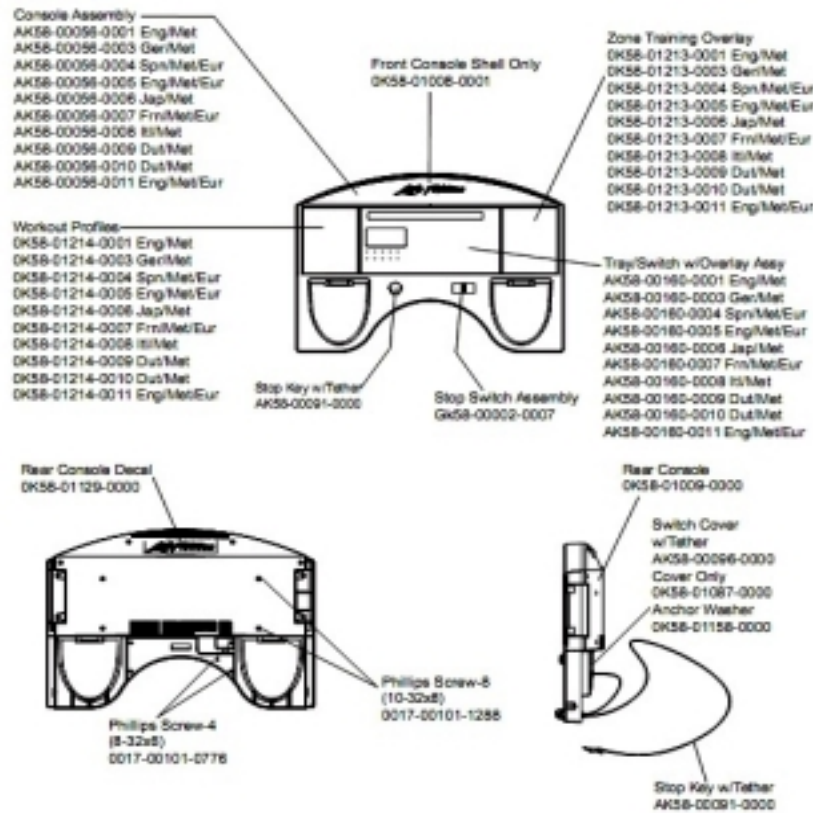
Ref #	Part Number	Qty	Description
-	0017-00103-0198	1	Hardware: Tinnerman Clip 1/4" ID
-	0017-00103-0280	2	Hardware: Tinnerman Clip
-	0017-00101-1775	1	Hardware: Deck Screws 1.25"
-	0K40-01026-0002	1	Deck Spring
-	0K58-01180-0000	1	Striding Belt
-	GK58-00002-0056	2	Roller Guard Assembly
-	0017-00101-1621	1	Hardware: Phillips Screw 0.5"
-	0017-00104-0101	1	Hardware: Flat Washer 0.437" OD
-	0K58-01002-0000	1	Rear Roller - 3.5"
-	0K58-01091-0001	1	Deck
-	0017-00042-0754	2	Hardware: Grommet
-	0017-00101-1652	1	Hardware: Spring Mounting Screw 1"
-	0017-00104-0334	2	Hardware: Flat Washers 0.880" OD
-	0017-00101-1618	1	Hardware: Rear Roller Adjusting Screw
-	0017-00101-1253	1	Hardware: Screw

Cables



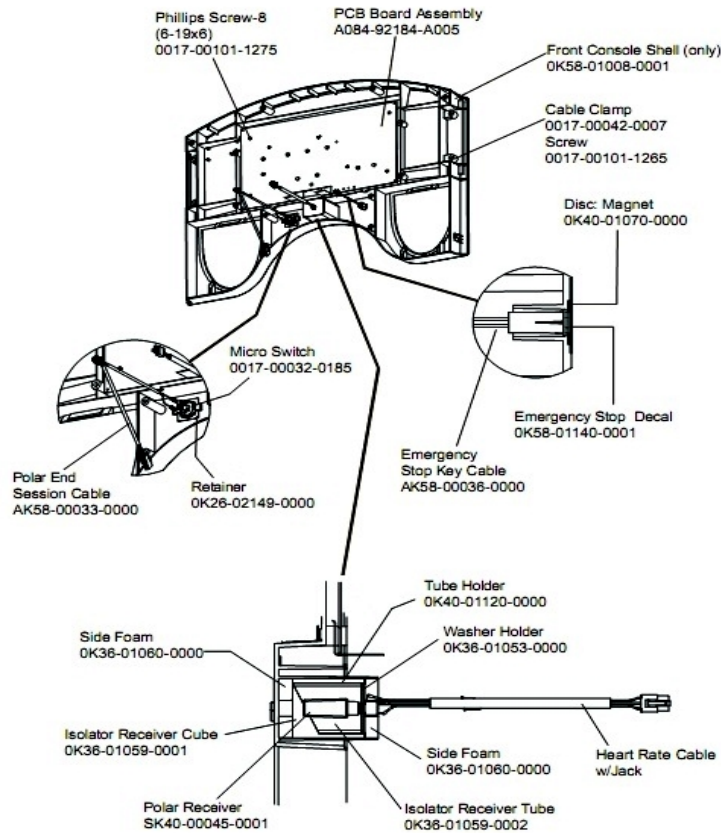
Ref #	Part Number	Qty	Description
-	AK58-00029-0000	1	Wax Pump Cable
-	AK58-00036-0000	3	Cable-Assembly: Emergency-Stop Switch
-	AK58-00030-0000	1	Frame Tag Cable
-	AK58-00041-0001	1	Heart Rate Sensor Cable
-	AK58-00119-0000	2	Thermal Switch
-	AK58-00032-0000	1	User Proximity Sensor Cable
-	AK58-00142-0000	1	Cable: Fan Power
-	AK58-00034-0000	1	Console Cable
-	AK58-00027-0000	1	Limit Switch Cable
-	AK58-00035-0000	1	Motor Controller Interface Cable
-	AK58-00043-0000	1	Speed Sensor Cable
-	AK58-00042-0001	1	Cable Assembly
-	AK58-00134-0001	1	Cable: Fan Power
-	AK58-00040-0000	1	Wax/Lift Power

Console (External View)



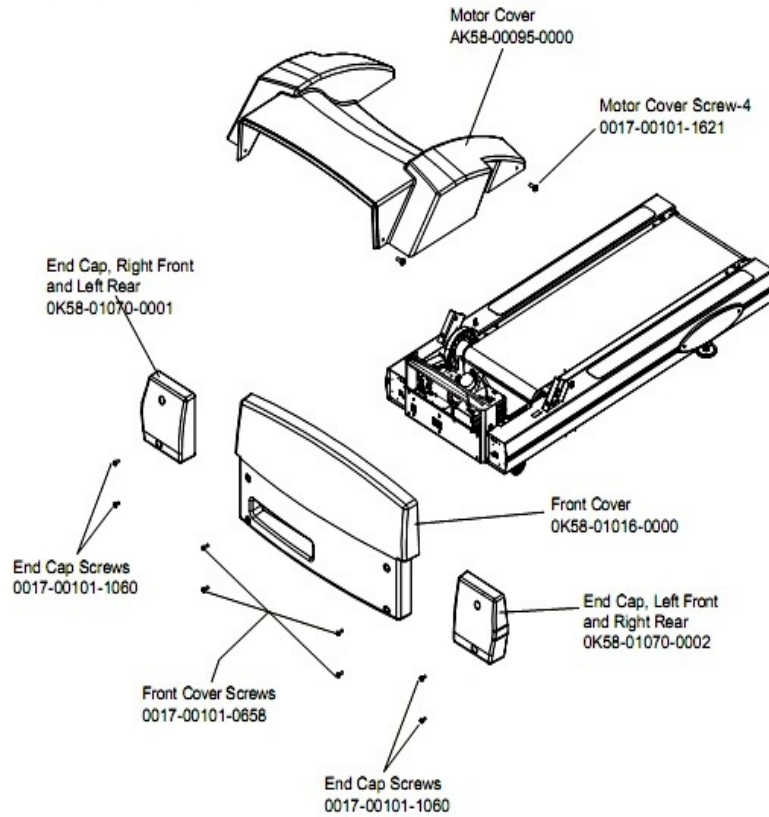
Ref #	Part Number	Qty	Description
-	0017-00101-0776	4	Hardware: Mounting Screws
-	0017-00101-1288	8	Hardware: Phillips Screw 0.5"
-	0K58-01009-0000	1	Rear Console
-	0K58-01214-0001	1	Workout Profiles English/Metric
-	0K58-01213-0001	1	Zone Training Overlay English/Metric
-	AK58-00096-0000	1	Switch Cover with Tether
-	0K58-01008-0001	1	Front Console Shell (only)
-	GK58-00002-0007	1	Stop Switch Assembly
-	0K58-01158-0000	1	Anchor Washer
-	AK58-00056-0001	1	Console Assembly English/Metric
-	AK58-00160-0001	1	Tray/Switch with Overlay Assy English/Metric
-	AK58-00091-0000	2	Stop Key with Tether
-	0K58-01087-0000	1	Switch Cover
-	0K58-01129-0000	2	Rear Console Decal

Console (Internal View)



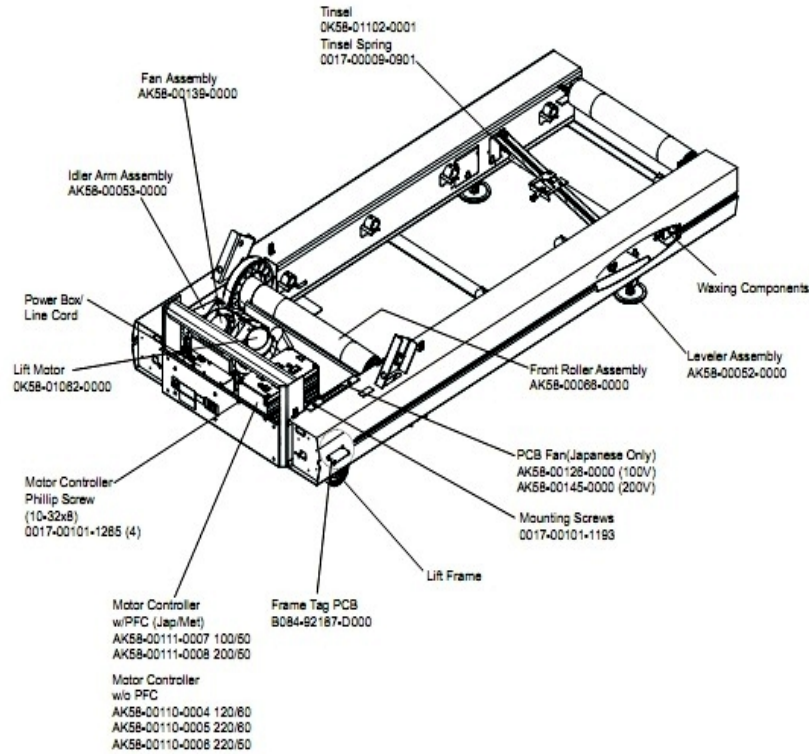
Ref #	Part Number	Qty	Description
-	0017-00101-1781	1	Hardware: Phillips Pan Screw 0.5"
-	AK58-00036-0000	1	Cable-Assembly: Emergency-Stop Switch
-	0K26-02149-0000	1	Retainer
-	0017-00032-0185	1	Micro Switch 150GR
-	0017-00042-0007	1	Cable Clamp
-	0K40-01070-0000	1	Magnetic Disk
-	0K58-01140-0001	1	Emergency Stop Decal
-	0K36-01053-0000	1	Hardware: Washer
-	SK40-00045-0001	1	Polar HR Kit
-	0K36-01059-0002	1	Insulator Receiver Tube
-	AK58-00033-0000	1	Polar Cable
-	A084-92184-A005	1	PCB Board Assembly
-	0K36-01059-0001	1	Isolator Receiver Cube
-	0K58-01008-0001	1	Front Console Shell (only)
-	0K40-01120-0000	1	Tube Holder
-	0017-00101-1275	8	Hardware: Phillips Screw 0.375"
-	0K36-01060-0000	2	Side Foam

Covers, End Caps, Hardware



Ref #	Part Number	Qty	Description
-	0017-00101-1060	4	Hardware: Bracket Screw
-	0K58-01016-0000	1	Front Cover
-	0K58-01070-0002	1	End Cap
-	0K58-01070-0001	1	End Cap
-	0017-00101-0658	4	Hardware: Access Panel Screws
-	0017-00101-1621	4	Hardware: Phillips Screw 0.5"
-	AK58-00095-0000	1	Motor Cover

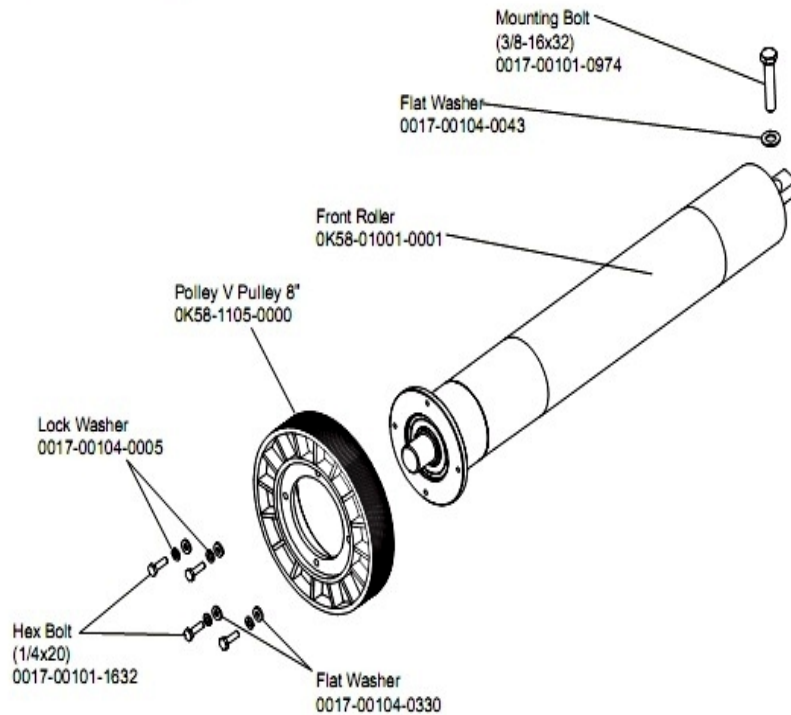
Frame Assembly



Ref #	Part Number	Qty	Description
-	AK58-00370-0000	1	Leveler Assembly
-	B084-92187-D000	1	Frame Tag PCB
-	OK58-01062-0000	1	Lift Motor - 120/60
-	AK58-00066-0000	1	Front Roller Assembly
-	AK58-00139-0000	1	Dual Fan Assembly
-	AK58-00053-0000	1	Idler Arm Assembly
-	0017-00101-1781	4	Hardware: Phillips Pan Screw 0.5"
-	OK58-01102-0001	1	Anti-Static Tinsel
-	AK58-00146-0006	1	Motor Controller Assembly: Purchased; 230V S/C-D
-	0017-00009-0901	1	Tinsel Extension Spring
-	0017-00101-1193	1	Hardware: Screw 0.375"

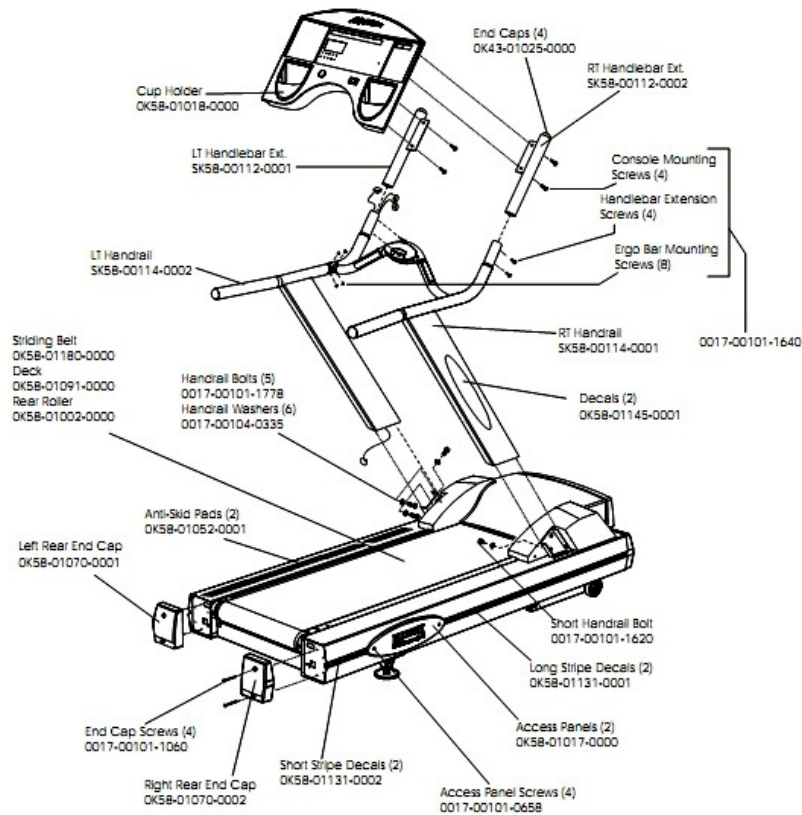
Front Roller Assembly

Front Roller Assy – AK58-00066-0000



Ref #	Part Number	Qty	Description
-	0017-00101-0974	1	Hardware: Mounting Bolt 2"
-	0017-00104-0043	1	Hardware: Flat Washer 0.734" OD
-	0017-00104-0005	1	Hardware: Lock Washer 0.489" OD
-	0017-00104-0330	1	Hardware: Flat Washers 0.562" OD
-	AK58-00066-0000	1	Front Roller Assembly
-	0017-00101-1632	1	Hardware: Hex Bolt 0.875"
-	0K58-01105-0000	1	Drive Pulley Poly V - 8"
-	0K58-01001-0001	1	Front Roller - 3.5"

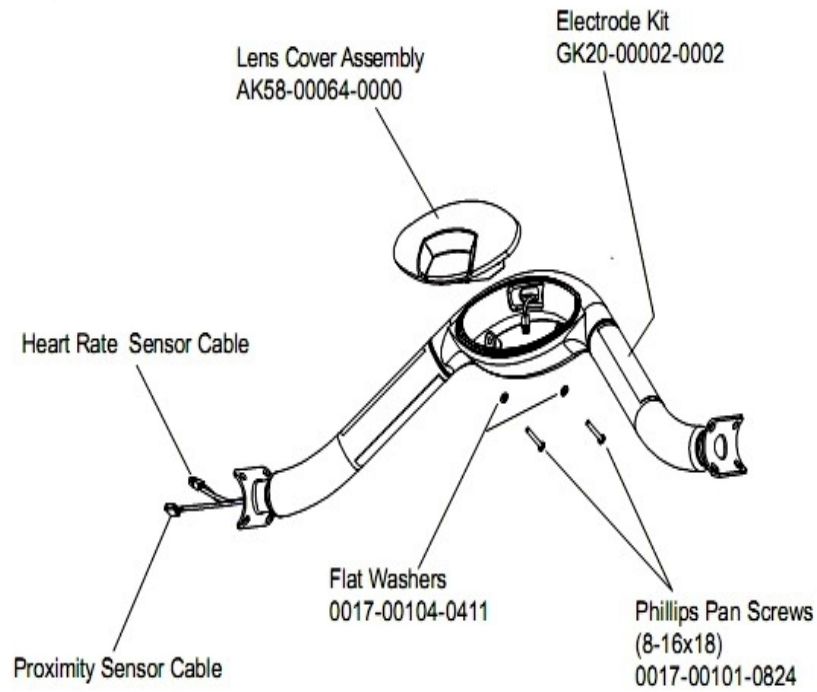
General Assembly



Ref #	Part Number	Qty	Description
-	OK58-01017-0000	2	Access Panel
-	SK58-00114-0002	1	Left Handrail
-	OK58-01131-0004	2	Short Stripe Decal
-	OK58-01180-0000	1	Striding Belt
-	SK58-00112-0002	1	Left Handlebar Extension
-	SK58-00112-0001	1	Left Handlebar Extension
-	OK58-01145-0001	2	Decal
-	OK58-01052-0001	2	Anti-Skid Pad
-	OK58-01131-0003	2	Long Stripe Decal
-	0017-00101-1640	16	Hardware: Console Mounting Screws
-	0017-00101-0658	4	Hardware: Access Panel Screws
-	0017-00101-1778	5	Hardware: Hex Bolt 1"
-	OK58-01002-0000	1	Rear Roller - 3.5"
-	OK58-01091-0001	1	Deck
-	0017-00101-1620	1	Hardware: Handrail Bolt
-	OK43-01025-0000	4	End Cap
-	0017-00101-1060	4	Hardware: Bracket Screw
-	0017-00104-0335	6	Hardware: Handrail Washer
-	SK58-00114-0001	1	Right Handrail
-	OK58-01018-0000	1	Cup Holder
-	OK58-01070-0001	1	End Cap
-	OK58-01070-0002	1	End Cap

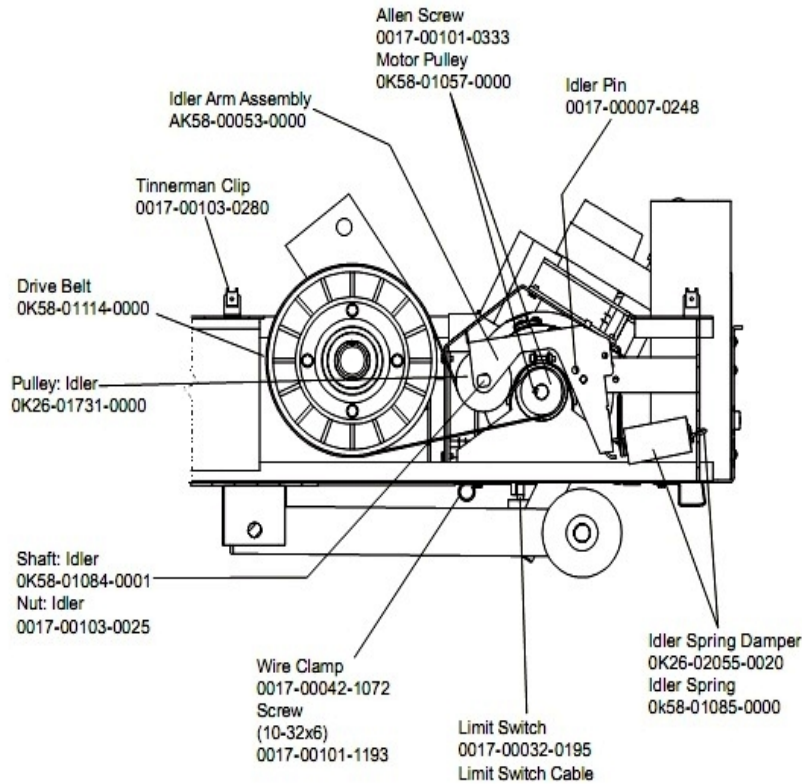
Handle Bar Assembly

Handle Bar Assy – AK58-00018-0000



Ref #	Part Number	Qty	Description
-	AK58-00064-0000	1	I/R Lens Cover Assembly
-	GK20-00002-0002	1	Heart Rate Electrode Kit
-	0017-00104-0411	1	Hardware: Flat Washer 0.375" OD
-	AK58-00018-0000	1	Ergo Bar Assembly
-	0017-00101-0824	1	Hardware: Screw 1.125"

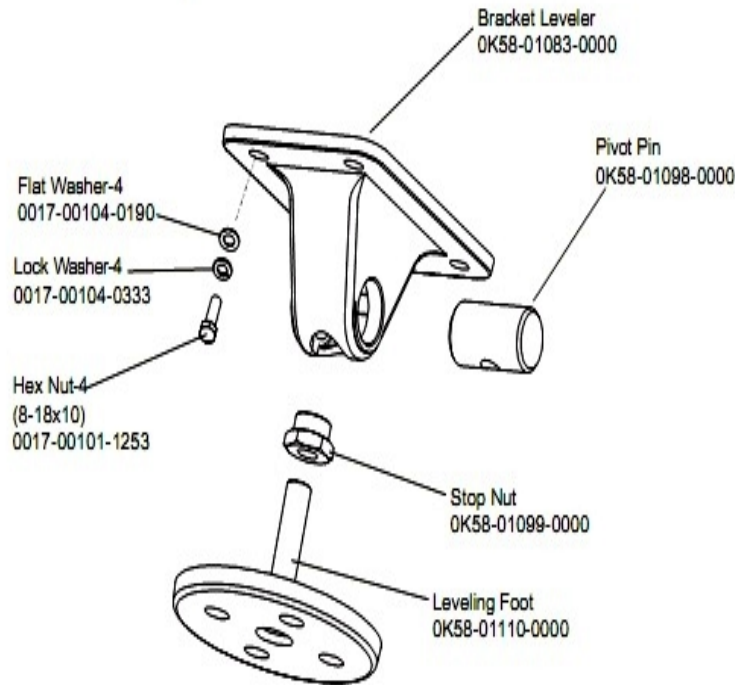
Idler Arm Assembly



Ref #	Part Number	Qty	Description
-	0K26-01731-0000	1	Plastic Idler 2 5/8" OD
-	0K26-02055-0000	1	Spring Damper
-	0K58-01084-0001	1	Idler Shaft
-	0017-00032-0195	1	Home Switch
-	0017-00042-1072	1	Hardware: Wire Clamp - 5/8"
-	0017-00007-0248	1	Hardware: Locking Pin .31" D 2.125" L
-	AK58-00053-0000	1	Idler Arm Assembly
-	0K58-01057-0000	1	Motor Pulley
-	0K58-01114-0000	1	Poly-V Drive Belt - 370J12
-	0017-00103-0280	1	Hardware: Tinnerman Clip
-	0K58-01085-0000	1	Extension Spring
-	0017-00101-0333	1	Hardware: Screw 0.3125"
-	0017-00103-0025	1	Hardware: Locking Nut 3/8" ID
-	0017-00101-1193	1	Hardware: Screw 0.375"

Lever Assembly

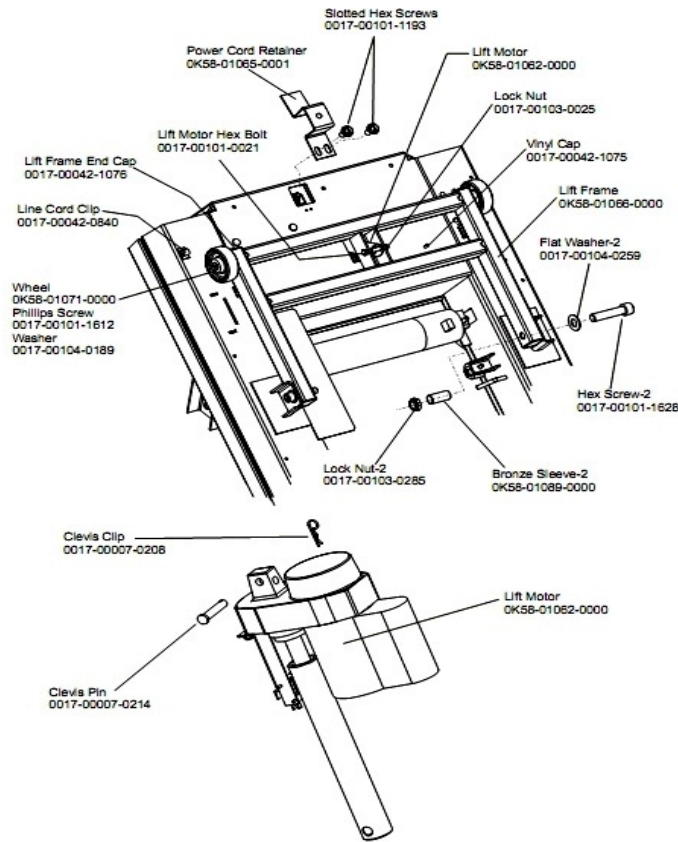
Leveler Assembly - AK58-00052-0000



Ref #	Part Number	Qty	Description
-	GK58-00002-0095	2	Roller Guard kit
-	AK58-00146-0004	1	Motor Controller Assembly 120V
-	AK58-00081-0000	1	Jumper Cable Assembly: Black - 4"
-	0017-00101-1775	1	Hardware: Deck Screws 1.25"
-	AK58-00083-0000	1	Cable Assembly
-	OK58-01083-0000	1	Leveler Bracket
-	AK58-00082-0000	1	Jumper Cable Assembly: White - 6"
-	0017-00101-1253	4	Hardware: Screw
-	AK58-00085-0000	1	Cable Assembly
-	OK58-01313-0002	1	Left Guard Cover
-	OK58-01109-0000	1	Driver Motor
-	M051-00K20-C161	1	Assembly Instructions TR91/95/97+
-	AK58-00370-0000	2	Leveler Assembly
-	M051-00K20-E159	1	Operating Manual
-	0017-00003-0946	1	0.5 amp Fuse
-	0017-00003-0945	1	1 amp Fuse
-	0017-00104-0190	4	Hardware: Flat Washer 0.734" OD
-	OK58-01099-0000	1	Hardware: Stop Nut
-	OK58-01098-0000	1	Hardware: Pivot Pin
-	OK58-01313-0001	1	Right Guard Cover
-	M051-00K58-A008	1	Service Manual
-	0017-00104-0333	4	Hardware: Washer 0.683" OD

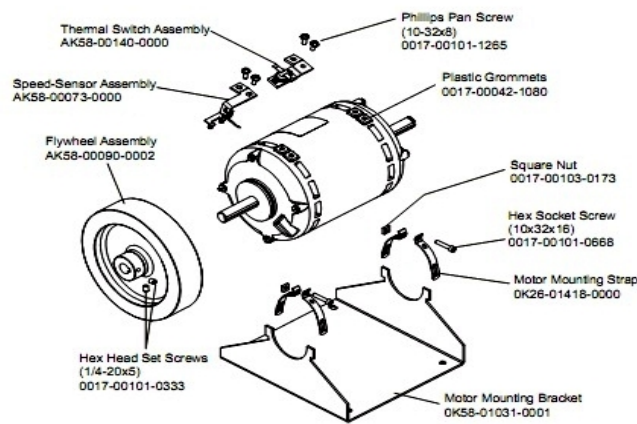
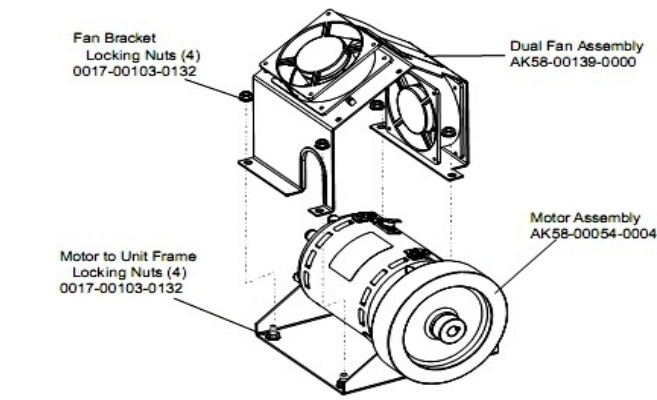
Ref #	Part Number	Qty	Description
-	0K58-01110-0000	1	Leveler Foot
-	AK58-00084-0000	1	Cable Assembly

Lift Motor And Lift Frame



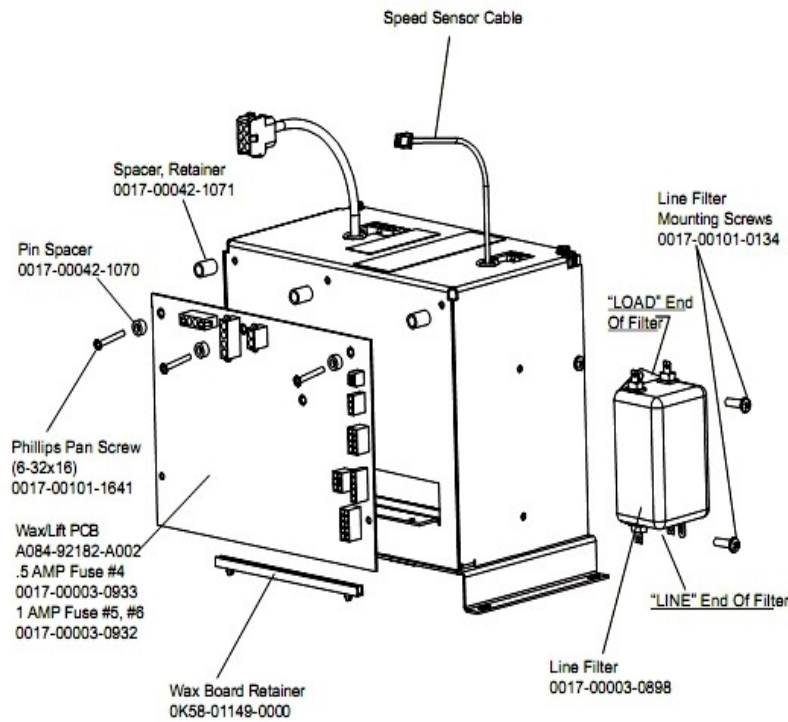
Ref #	Part Number	Qty	Description
-	0017-00104-0259	2	Hardware: Washer 1.331" OD
-	0017-00103-0025	1	Hardware: Locking Nut 3/8" ID
-	0017-00101-1628	2	Hardware: Hex Screw
-	0017-00101-1021	1	Hardware: Lift Motor Hex Bolt 2.5"
-	0017-00101-1193	1	Hardware: Screw 0.375"
-	0017-00104-0189	1	Hardware: Flat Washer 1" OD
-	0017-00007-0208	1	Hardware: Cotter Pin
-	0017-00103-0285	2	Hardware: Nut 5/8" ID
-	0017-00042-1076	1	Lift Frame End Cap
-	OK58-01065-0001	1	Power Cord Retainer
-	OK58-01062-0000	2	Lift Motor - 120/60
-	OK58-01089-0000	2	Bronze Sleeve Bushings
-	0017-00042-0840	1	Hardware: Push Mount Clip
-	OK58-01071-0000	1	Wheel
-	0017-00101-1612	1	Hardware: Phillips Screw 0.5"
-	0017-00042-1075	1	Vinyl Cap
-	0017-00007-0214	1	Hardware: Clevis Pin 3/8" D 1.75" L
-	AK58-00220-0000	1	LIFT-FRAME ASSY: MFG. C

Motor And Fan Assemblies



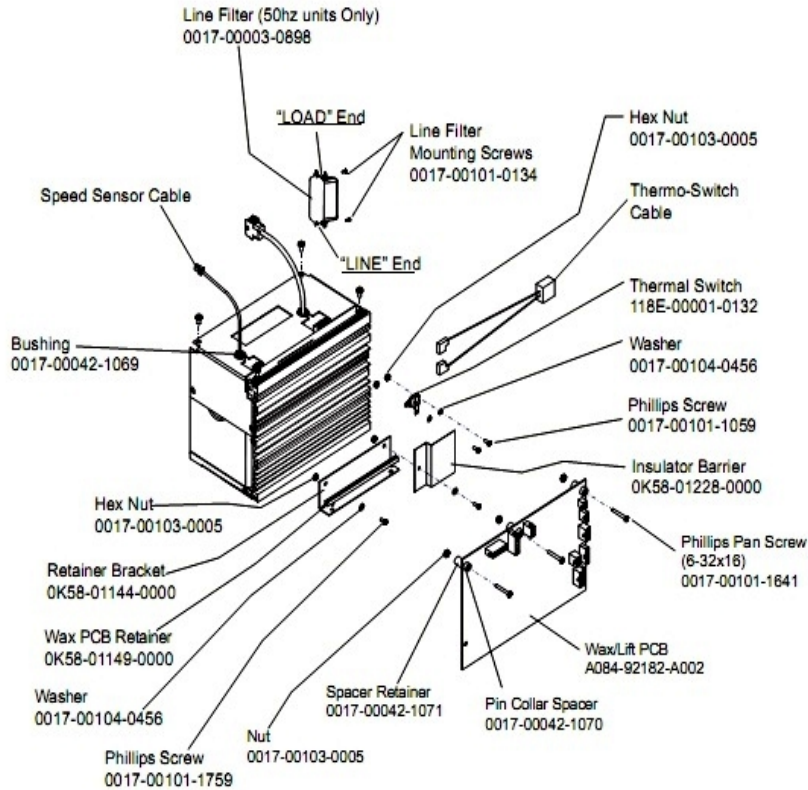
Ref #	Part Number	Qty	Description
-	AK58-00140-0000	1	Thermal Switch Assembly
-	0017-00101-1781	1	Hardware: Phillips Pan Screw 0.5"
-	OK26-01418-0000	1	Motor Mounting Strap
-	OK58-01031-0001	1	Motor Mounting Bracket
-	0017-00103-0132	8	Hardware: Mounting Nut
-	0017-00101-0668	1	Hardware: Hex Socket Screw
-	0017-00103-0173	1	Hardware: Square Nut
-	AK58-00072-0002	1	Assembly: Drive Motor with Grounding Ring; Dual-Lo
-	AK58-00139-0000	1	Dual Fan Assembly
-	AK58-00073-0000	1	Speed Sensor Assembly
-	0017-00101-0333	1	Hardware: Screw 0.3125"
-	0017-00042-1080	1	Plastic Grommets
-	AK58-00090-0002	1	Flywheel Assembly

Motor Controller Without PFC



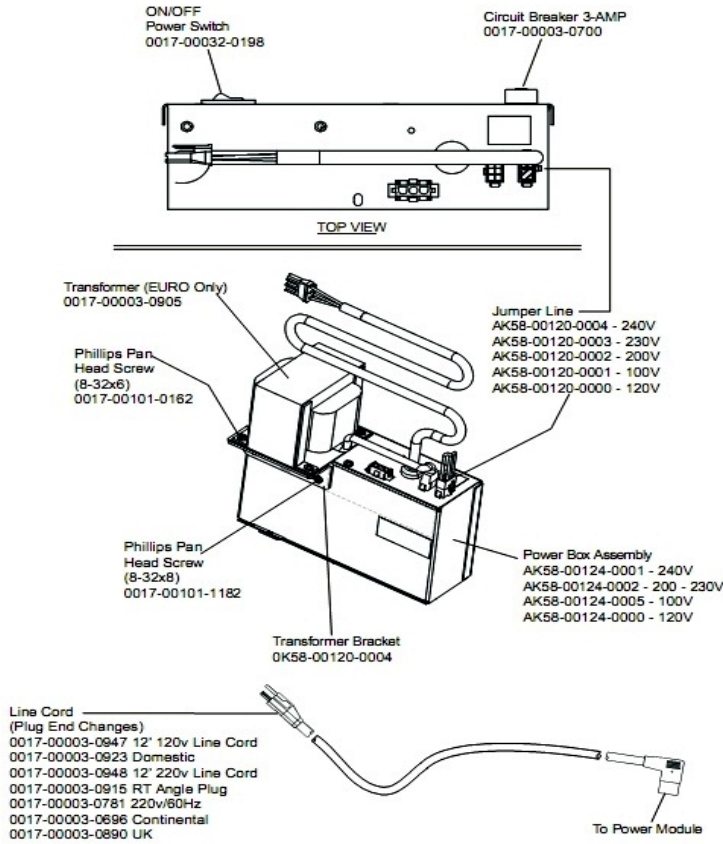
Ref #	Part Number	Qty	Description
-	0017-00042-1071	1	Spacer Retainer
-	0017-00042-1070	1	Pin Collar Spacer
-	0017-00003-0898	1	10 amp Line Filter (INT)
-	0K58-01149-0000	1	Wax PCB Retainer
-	0017-00101-0134	1	Hardware: Line Filter Mounting Screws
-	0017-00003-0933	1	.5 AMP Fuse #4
-	0017-00003-0932	1	1 AMP Fuse #5 #6
-	A084-92182-A002	1	Wax/Lift PCB
-	0017-00101-1641	1	Hardware: Phillips Pan Screw

Motor Controller With PFC



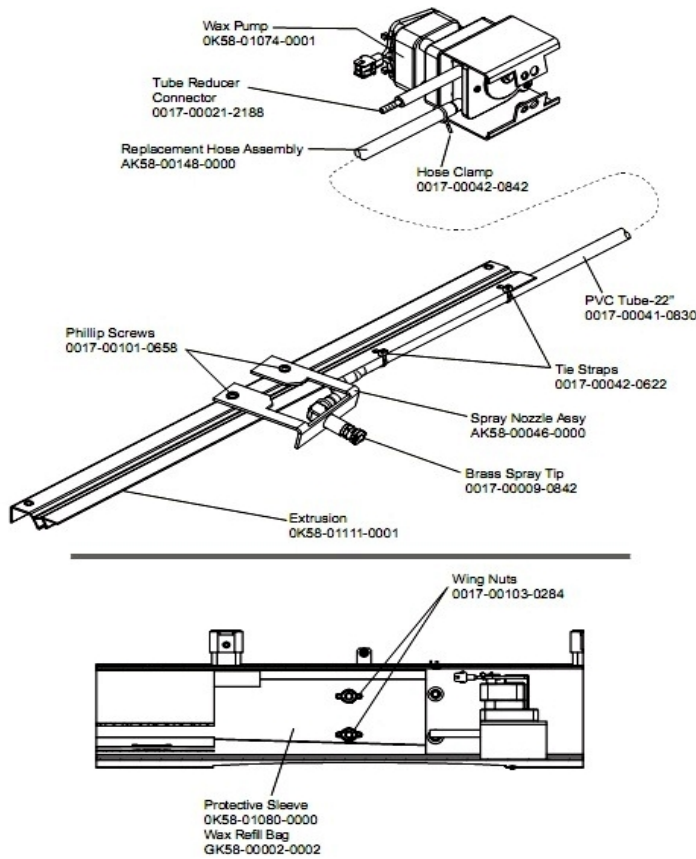
Ref #	Part Number	Qty	Description
-	0017-00101-0134	1	Hardware: Line Filter Mounting Screws
-	A084-92182-A002	1	Wax/Lift PCB
-	118E-00001-0132	1	Thermal Switch
-	0017-00042-1069	1	Bushing
-	0017-00104-0456	2	Hardware: Washer 0.31" OD
-	0017-00103-0005	3	Hardware: Hex Nut
-	0K58-01144-0000	1	Retainer Bracket
-	0017-00101-1759	1	Hardware: Phillips Screw 0.625"
-	0017-00042-1071	1	Spacer Retainer
-	0017-00101-1641	1	Hardware: Phillips Pan Screw
-	0017-00042-1070	1	Pin Collar Spacer
-	0K58-01228-0000	1	Insulator Barrier
-	0K58-01149-0000	1	Wax PCB Retainer
-	0017-00101-1059	1	Hardware: Phillips Screw

Power Box Assembly



Ref #	Part Number	Qty	Description
-	0017-00101-0162	1	Hardware: Screw 0.375"
-	AK58-00124-0001	1	Power Box Assembly 240V
-	0017-00003-0890	1	Line Cord: UK
-	AK58-00120-0004	1	Jumper Line 240V
-	0017-00003-0915	1	Line Cord RT Angle Plug
-	0017-00032-0198	1	On/Off Switch 22A
-	0017-00101-1182	1	Hardware: Phillips Pan Head Screw
-	0017-00003-0905	1	Transformer (EURO Only)
-	0017-00003-0700	1	3 AMP Circuit Breaker

Waxing Components



Ref #	Part Number	Qty	Description
-	OK58-01111-0001	1	Extrusion Assembly
-	AK58-00046-0000	1	Spray Nozzle Assembly
-	0017-00009-0842	1	Brass Spray Tip
-	0017-00041-0830	1	TUBING: PVC; REINFORCED B
-	AK58-00148-0000	1	Replacement Hose
-	OK58-01074-0001	1	Wax Pump
-	OK58-01080-0000	1	Protective Sleeve
-	0017-00103-0284	1	Hardware: Wing Nut
-	0017-00042-0622	1	Cable Tie
-	0017-00042-0842	1	Hose Clamp
-	0017-00101-0658	1	Hardware: Access Panel Screws
-	GK58-00002-0002	1	Wax Refill Bag
-	0017-00021-2188	1	Tube Reducer Connector

