

BALLY BANKRUPCY TRADE-IN

TR95S-BRTN-90

Parts Manual

1/5/2019 17:49:04 PM

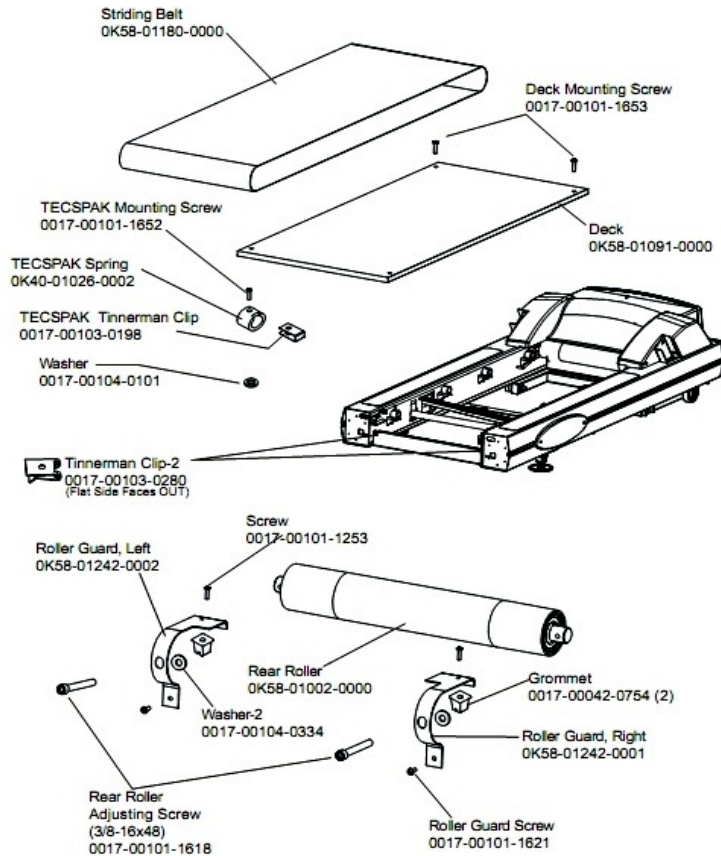


LifeFitness
WHAT WE LIVE FOR

Table of Contents

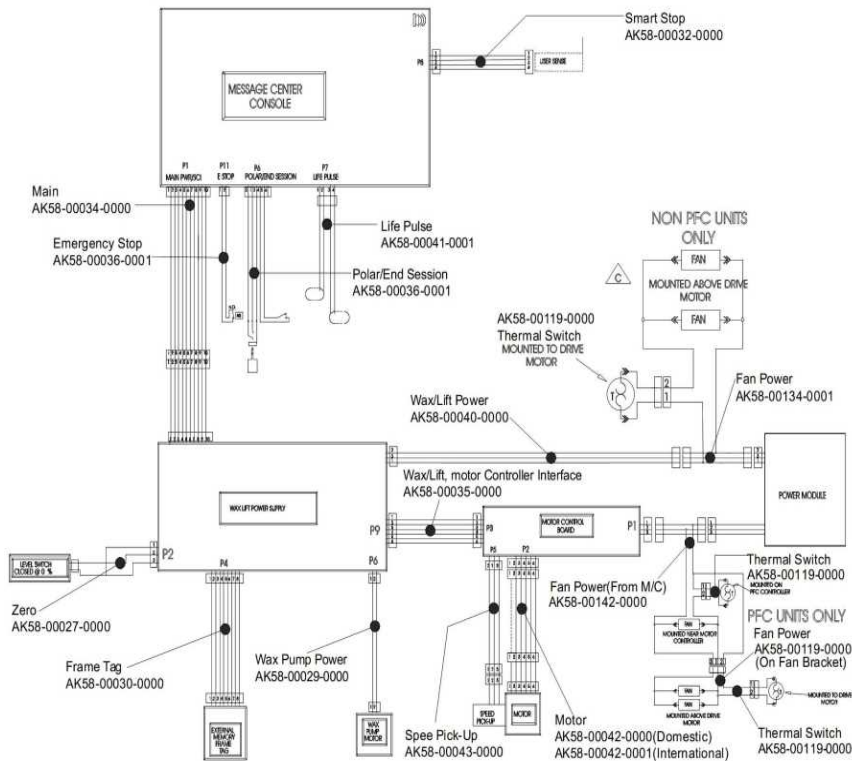
Belt, Deck and Rear Rollers	3
Cables	4
Console (External View)	5
Console (Internal View)	6
Cover, End Caps and Hardware	7
Frame Assembly	8
Front Roller Assembly	9
General Assembly	10
Handle Bar Assembly	11
Idler Arm Assembly	12
Lever Assembly	13
Lift Motor and Lift Frame	14
Motor and Fan Assemblies	15
Motor Controller without PFC	16
Motor Controller with PFC	17
Power Box Assembly	18
Waxing Components	19

Belt, Deck and Rear Rollers



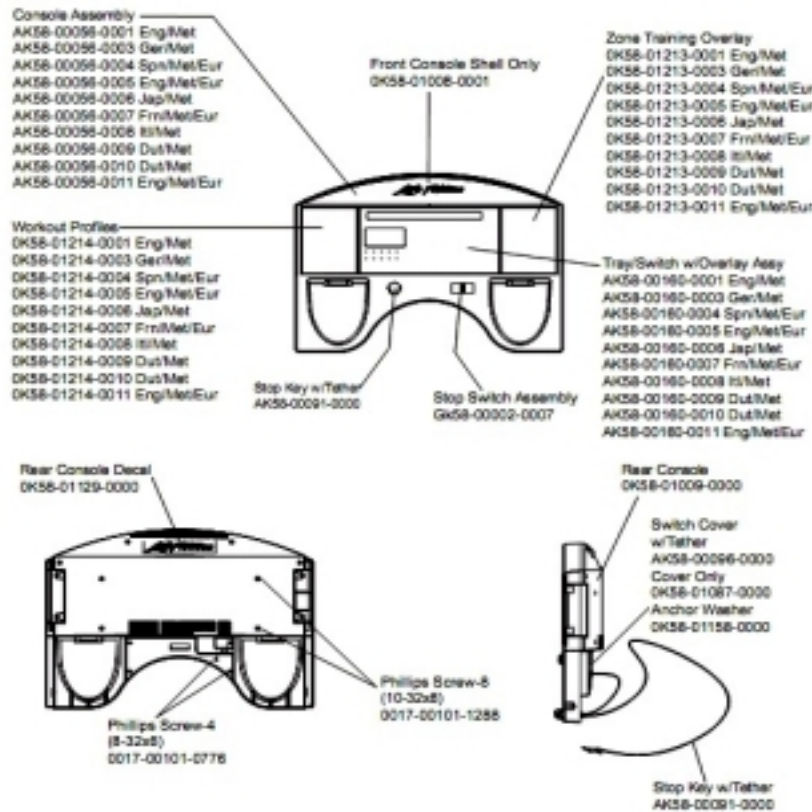
Ref #	Part Number	Qty	Description
-	0017-00101-1253	1	Hardware: Screw
-	0017-00103-0280	2	Hardware: Tinnerman Clip
-	0K40-01026-0002	1	Deck Spring
-	0017-00103-0198	1	Hardware: Tinnerman Clip 1/4" ID
-	0K58-01180-0000	1	Striding Belt
-	GK58-00002-0056	2	Roller Guard Assembly
-	0017-00042-0754	2	Hardware: Grommet
-	0017-00101-1652	1	Hardware: Spring Mounting Screw 1"
-	0017-00104-0334	2	Hardware: Flat Washers 0.880" OD
-	0017-00101-1621	2	Hardware: Phillips Screw 0.5"
-	0017-00104-0101	1	Hardware: Flat Washer 0.437" OD
-	0K58-01002-0000	1	Rear Roller - 3.5"
-	0K58-01091-0001	1	Deck
-	0017-00101-1618	1	Hardware: Rear Roller Adjusting Screw
-	0017-00101-1775	1	Hardware: Deck Screws 1.25"

Cables



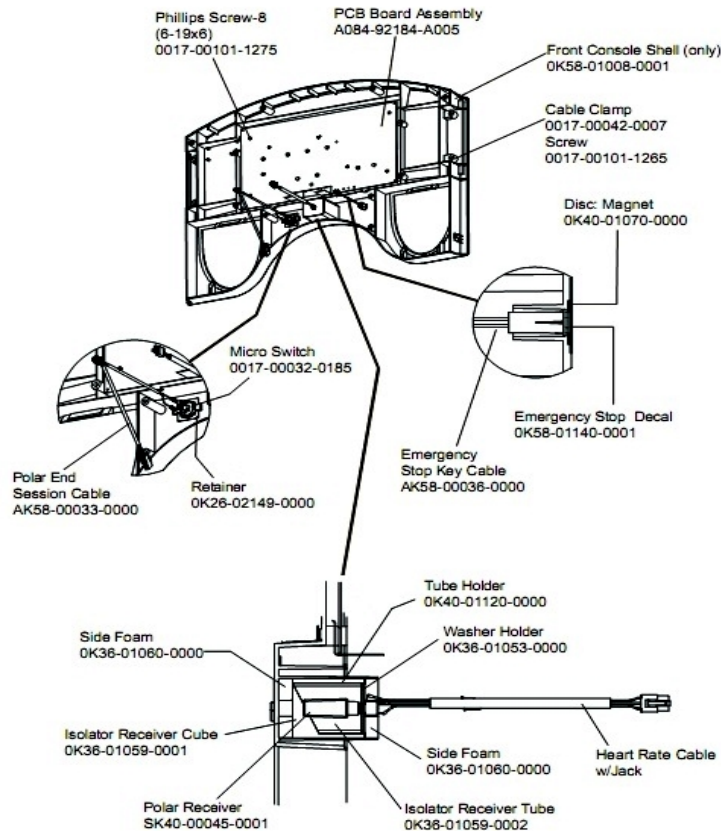
Ref #	Part Number	Qty	Description
-	AK58-00032-0000	1	User Proximity Sensor Cable
-	AK58-00030-0000	1	Frame Tag Cable
-	AK58-00119-0000	4	Thermal Switch
-	AK58-00040-0000	1	Wax/Lift Power
-	AK58-00041-0001	1	Heart Rate Sensor Cable
-	AK58-00029-0000	1	Wax Pump Cable
-	AK58-00034-0000	1	Console Cable
-	AK58-00134-0001	1	Cable: Fan Power
-	AK58-00027-0000	1	Limit Switch Cable
-	AK58-00035-0000	1	Motor Controller Interface Cable
-	AK58-00043-0000	1	Speed Sensor Cable
-	AK58-00042-0001	1	Cable Assembly
-	AK58-00036-0000	2	Cable-Assembly: Emergency-Stop Switch
-	AK58-00042-0000	1	Motor (Domestic)
-	AK58-00142-0000	1	Cable: Fan Power

Console (External View)



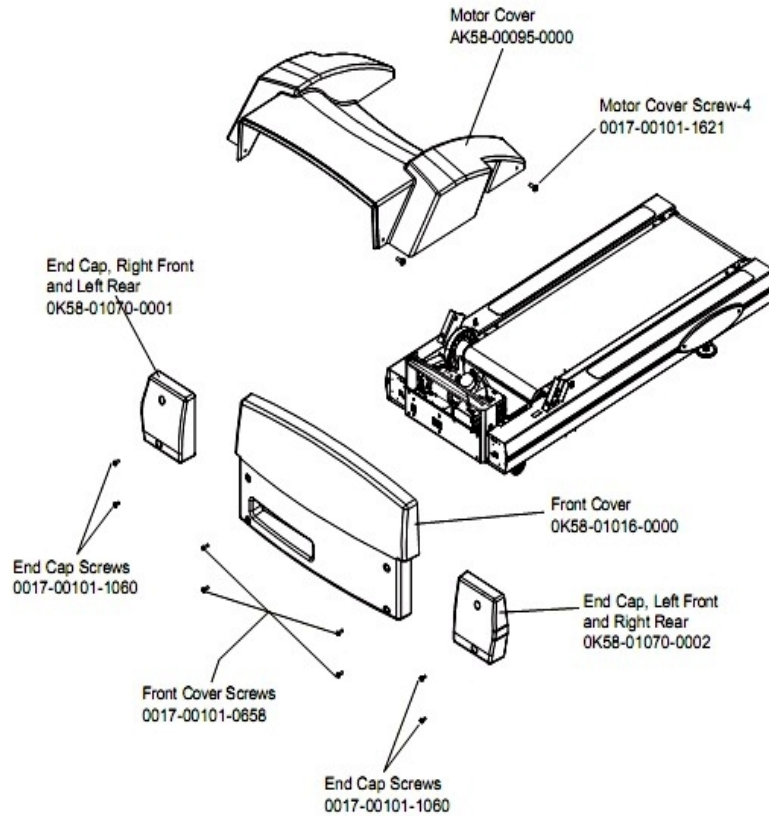
Ref #	Part Number	Qty	Description
-	0017-00101-0776	4	Hardware: Mounting Screws
-	0017-00101-1288	8	Hardware: Phillips Screw 0.5"
-	OK58-01009-0000	1	Rear Console
-	OK58-01214-0001	1	Workout Profiles English/Metric
-	OK58-01213-0001	1	Zone Training Overlay English/Metric
-	AK58-00096-0000	1	Switch Cover with Tether
-	OK58-01008-0001	1	Front Console Shell (only)
-	OK58-01129-0000	2	Rear Console Decal
-	OK58-01087-0000	1	Switch Cover
-	GK58-00002-0007	1	Stop Switch Assembly
-	OK58-01158-0000	1	Anchor Washer
-	AK58-00056-0001	1	Console Assembly English/Metric
-	AK58-00160-0001	1	Tray/Switch with Overlay Assy English/Metric
-	AK58-00091-0000	2	Stop Key with Tether

Console (Internal View)



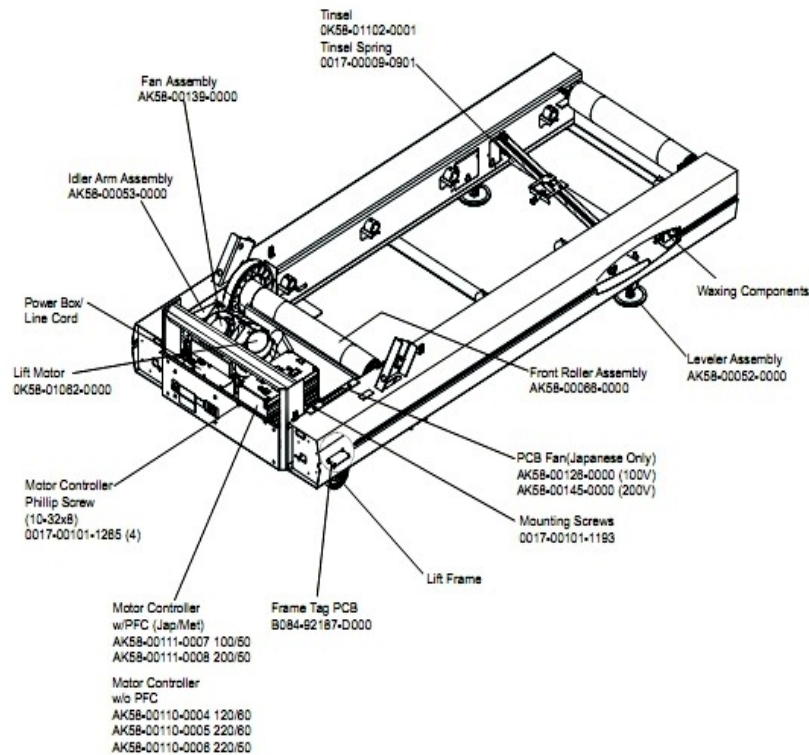
Ref #	Part Number	Qty	Description
-	AK58-00036-0000	1	Cable-Assembly: Emergency-Stop Switch
-	0K26-02149-0000	1	Retainer
-	0017-00032-0185	1	Micro Switch 150GR
-	0017-00101-1781	1	Hardware: Phillips Pan Screw 0.5"
-	0017-00042-0007	1	Cable Clamp
-	0K40-01070-0000	1	Magnetic Disk
-	0K58-01140-0001	1	Emergency Stop Decal
-	0K36-01053-0000	1	Hardware: Washer
-	SK40-00045-0001	1	Polar HR Kit
-	0K36-01059-0002	1	Insulator Receiver Tube
-	AK58-00033-0000	1	Polar Cable
-	A084-92184-A005	1	PCB Board Assembly
-	0K36-01059-0001	1	Isolator Receiver Cube
-	0K58-01008-0001	1	Front Console Shell (only)
-	0K40-01120-0000	1	Tube Holder
-	0017-00101-1275	8	Hardware: Phillips Screw 0.375"
-	0K36-01060-0000	2	Side Foam

Cover, End Caps and Hardware



Ref #	Part Number	Qty	Description
-	0017-00101-1060	2	Hardware: Bracket Screw
-	0K58-01016-0000	1	Front Cover
-	0K58-01070-0002	1	End Cap
-	0K58-01070-0001	1	End Cap
-	0017-00101-0658	1	Hardware: Access Panel Screws
-	0017-00101-1621	4	Hardware: Phillips Screw 0.5"
-	AK58-00095-0000	1	Motor Cover

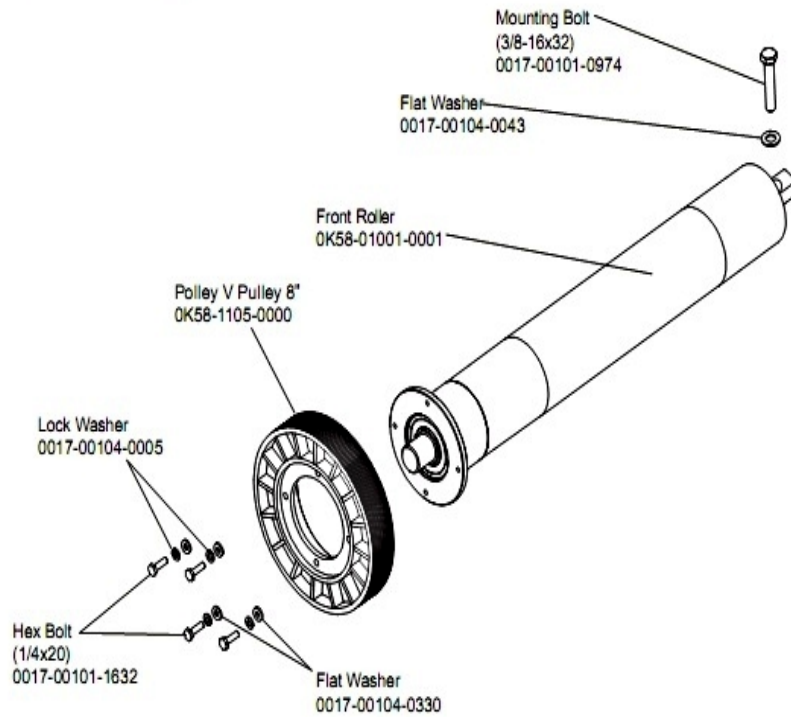
Frame Assembly



Ref #	Part Number	Qty	Description
-	AK58-00146-0004	1	Motor Controller Assembly 120V
-	AK58-00053-0000	1	Idler Arm Assembly
-	AK58-00370-0000	1	Leveler Assembly
-	0017-00009-0901	1	Tinsel Extension Spring
-	AK58-00139-0000	1	Dual Fan Assembly
-	AK58-00066-0000	1	Front Roller Assembly
-	0K58-01102-0001	1	Anti-Static Tinsel
-	0017-00101-1781	4	Hardware: Phillips Pan Screw 0.5"
-	0017-00101-1193	1	Hardware: Screw 0.375"
-	0K58-01062-0000	1	Lift Motor - 120/60
-	B084-92187-D000	1	Frame Tag PCB

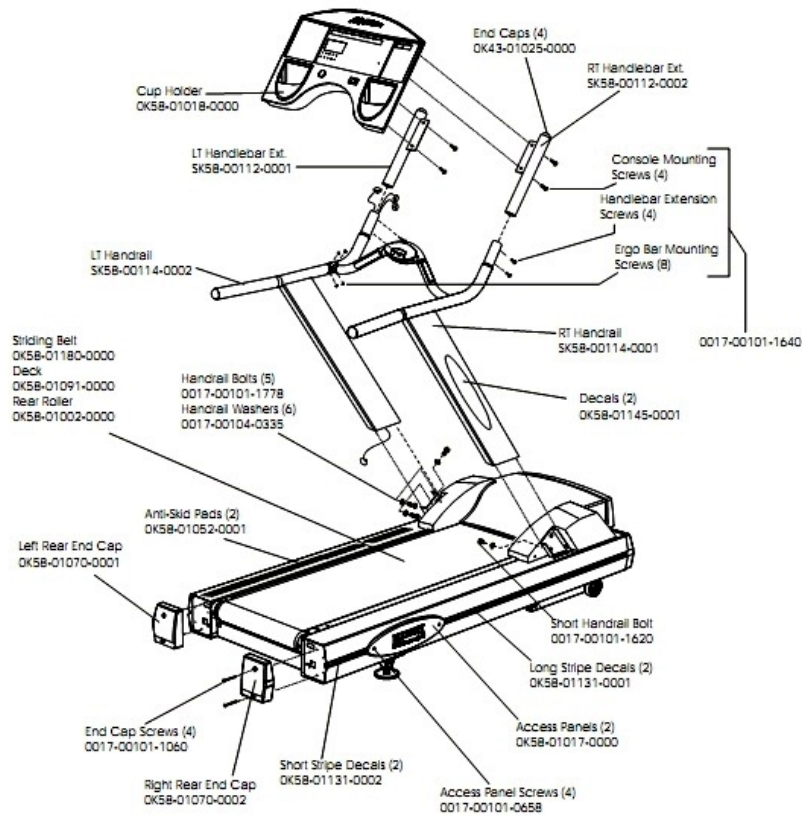
Front Roller Assembly

Front Roller Assy – AK58-00066-0000



Ref #	Part Number	Qty	Description
-	0K58-01105-0000	1	Drive Pulley Poly V - 8"
-	0017-00101-1632	4	Hardware: Hex Bolt 0.875"
-	0017-00104-0330	4	Hardware: Flat Washers 0.562" OD
-	0K58-01001-0001	1	Front Roller - 3.5"
-	AK58-00066-0000	1	Front Roller Assembly
-	0017-00104-0005	4	Hardware: Lock Washer 0.489" OD
-	0017-00104-0043	1	Hardware: Flat Washer 0.734" OD
-	0017-00101-0974	1	Hardware: Mounting Bolt 2"

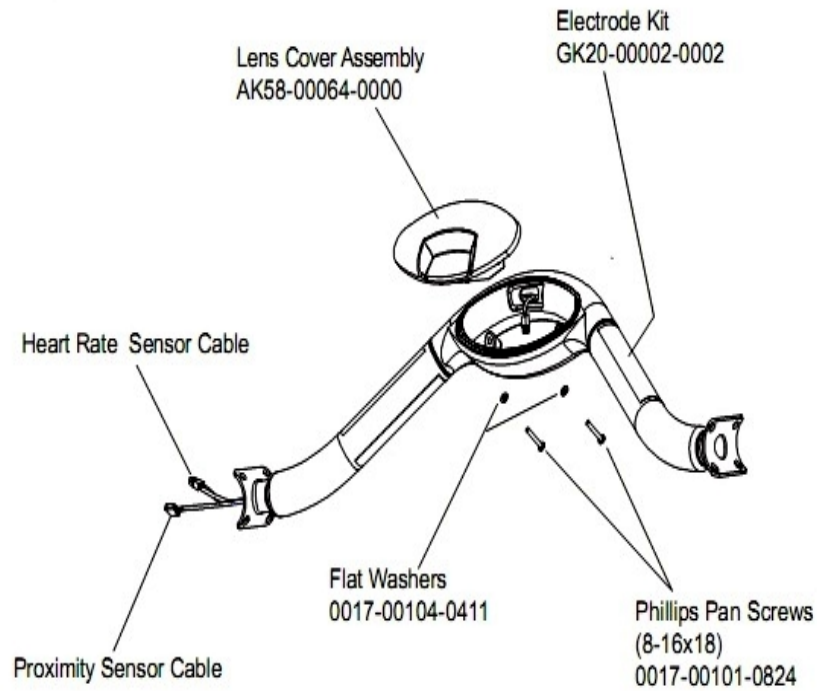
General Assembly



Ref #	Part Number	Qty	Description
-	OK58-01131-0004	2	Short Stripe Decal
-	OK58-01070-0001	1	End Cap
-	SK58-00112-0002	1	Left Handlebar Extension
-	OK58-01017-0000	2	Access Panel
-	OK58-01070-0002	1	End Cap
-	SK58-00112-0001	1	Left Handlebar Extension
-	OK58-01145-0001	2	Decal
-	OK58-01052-0001	2	Anti-Skid Pad
-	OK58-01131-0003	2	Long Stripe Decal
-	0017-00101-1620	1	Hardware: Handrail Bolt
-	OK43-01025-0000	4	End Cap
-	OK58-01091-0001	1	Deck
-	0017-00101-0658	4	Hardware: Access Panel Screws
-	0017-00101-1778	5	Hardware: Hex Bolt 1"
-	OK58-01002-0000	1	Rear Roller - 3.5"
-	0017-00101-1640	16	Hardware: Console Mounting Screws
-	SK58-00114-0001	1	Right Handrail
-	0017-00101-1060	4	Hardware: Bracket Screw
-	0017-00104-0335	6	Hardware: Handrail Washer
-	SK58-00114-0002	1	Left Handrail
-	OK58-01018-0000	1	Cup Holder
-	OK58-01180-0000	1	Striding Belt

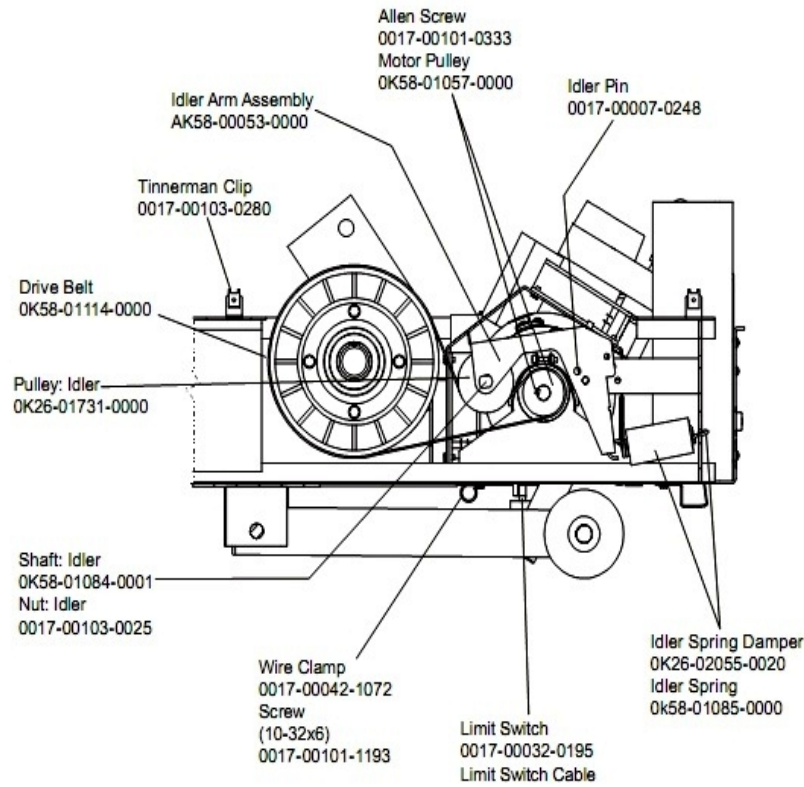
Handle Bar Assembly

Handle Bar Assy – AK58-00018-0000



Ref #	Part Number	Qty	Description
-	AK58-00064-0000	1	I/R Lens Cover Assembly
-	GK20-00002-0002	1	Heart Rate Electrode Kit
-	0017-00104-0411	1	Hardware: Flat Washer 0.375" OD
-	AK58-00018-0000	1	Ergo Bar Assembly
-	0017-00101-0824	1	Hardware: Screw 1.125"

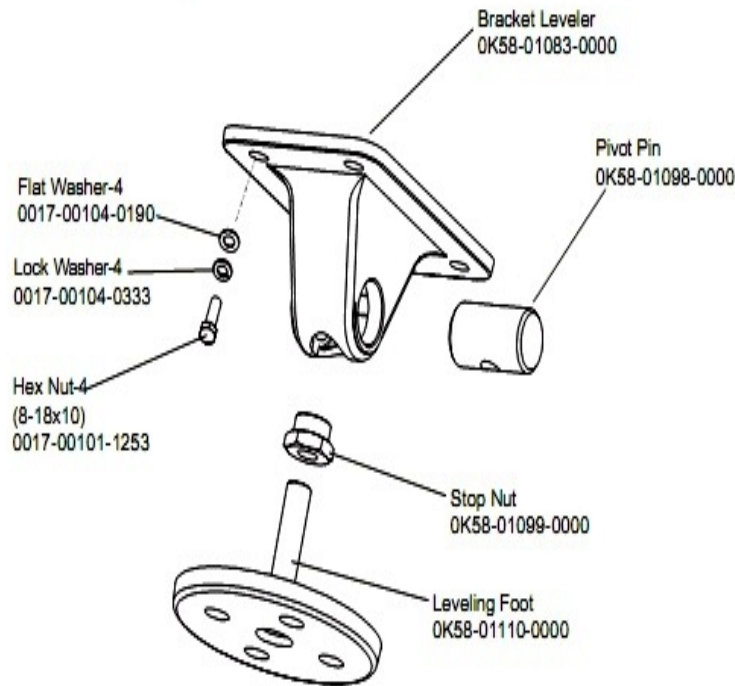
Idler Arm Assembly



Ref #	Part Number	Qty	Description
-	0K26-01731-0000	1	Plastic Idler 2 5/8" OD
-	0K26-02055-0000	1	Spring Damper
-	0K58-01084-0001	1	Idler Shaft
-	0017-00032-0195	1	Home Switch
-	0017-00042-1072	1	Hardware: Wire Clamp - 5/8"
-	0017-00007-0248	1	Hardware: Locking Pin .31" D 2.125" L
-	AK58-00053-0000	1	Idler Arm Assembly
-	0K58-01057-0000	1	Motor Pulley
-	0K58-01114-0000	1	Poly-V Drive Belt - 370J12
-	0017-00103-0280	1	Hardware: Tinnerman Clip
-	0K58-01085-0000	1	Extension Spring
-	0017-00101-0333	1	Hardware: Screw 0.3125"
-	0017-00103-0025	1	Hardware: Locking Nut 3/8" ID
-	0017-00101-1193	1	Hardware: Screw 0.375"

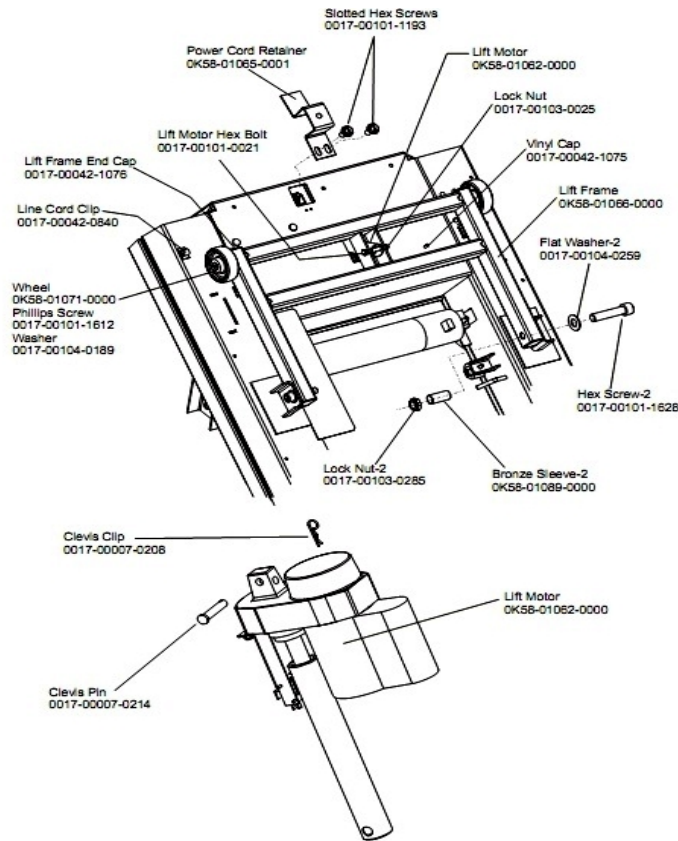
Lever Assembly

Leveler Assembly - AK58-00052-0000



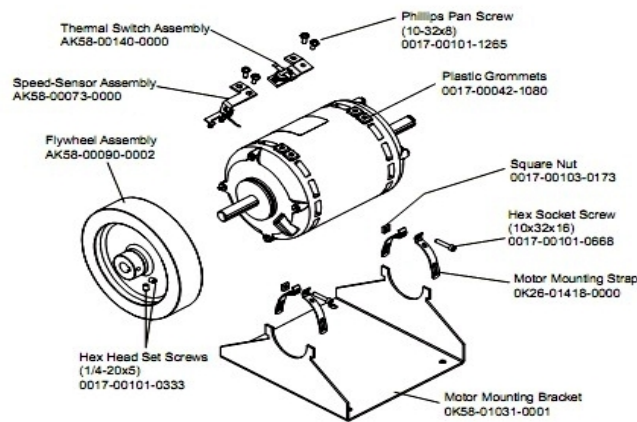
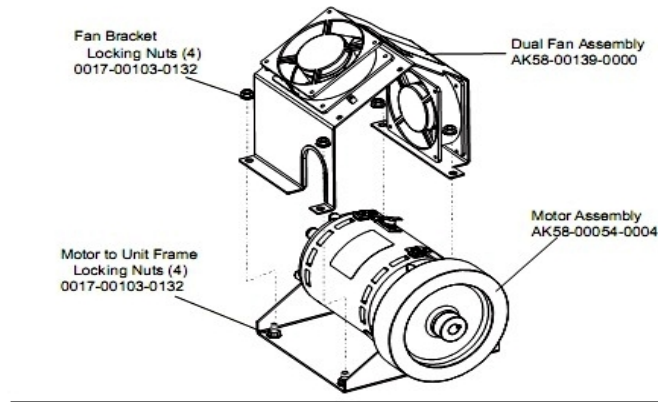
Ref #	Part Number	Qty	Description
-	OK58-01099-0000	1	Hardware: Stop Nut
-	0017-00104-0333	4	Hardware: Washer 0.683" OD
-	AK58-00084-0000	1	Cable Assembly
-	AK58-00081-0000	1	Jumper Cable Assembly: Black - 4"
-	AK58-00083-0000	1	Cable Assembly
-	OK58-01083-0000	1	Leveler Bracket
-	AK58-00082-0000	1	Jumper Cable Assembly: White - 6"
-	GK58-00002-0095	2	Roller Guard kit
-	0017-00101-1775	1	Hardware: Deck Screws 1.25"
-	0017-00003-0946	1	0.5 amp Fuse
-	0017-00003-0945	1	1 amp Fuse
-	0017-00104-0190	4	Hardware: Flat Washer 0.734" OD
-	M051-00K20-C161	1	Assembly Instructions TR91/95/97+
-	AK58-00146-0004	1	Motor Controller Assembly 120V
-	AK58-00085-0000	1	Cable Assembly
-	OK58-01313-0002	1	Left Guard Cover
-	AK58-00370-0000	2	Leveler Assembly
-	OK58-01098-0000	1	Hardware: Pivot Pin
-	OK58-01313-0001	1	Right Guard Cover
-	OK58-01110-0000	1	Leveler Foot
-	0017-00101-1253	4	Hardware: Screw

Lift Motor and Lift Frame



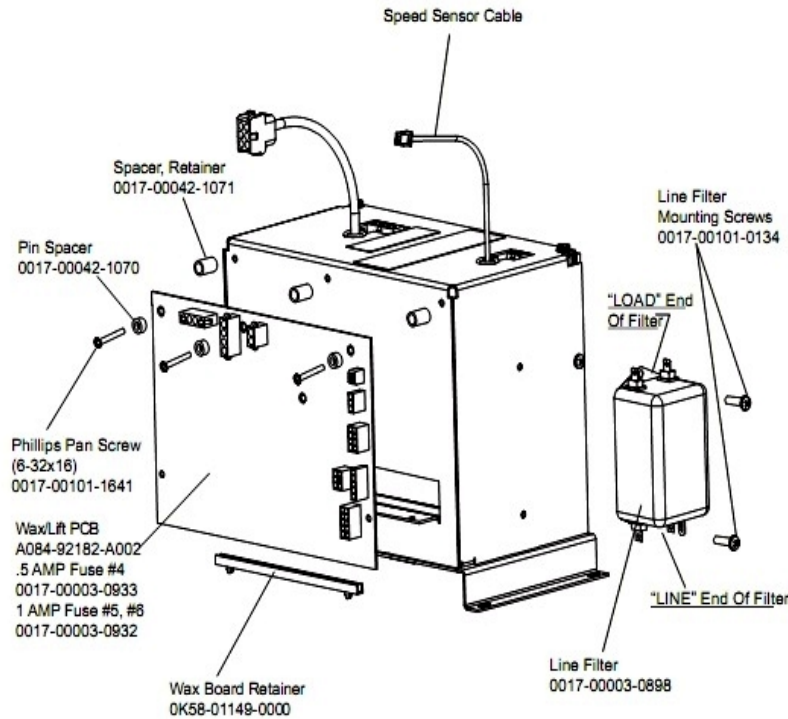
Ref #	Part Number	Qty	Description
-	0017-00104-0259	2	Hardware: Washer 1.331" OD
-	0017-00103-0025	1	Hardware: Locking Nut 3/8" ID
-	0017-00101-1628	2	Hardware: Hex Screw
-	0017-00101-1021	1	Hardware: Lift Motor Hex Bolt 2.5"
-	0017-00104-0189	2	Hardware: Flat Washer 1" OD
-	0017-00007-0208	2	Hardware: Cotter Pin
-	0017-00103-0285	2	Hardware: Nut 5/8" ID
-	0017-00101-1193	1	Hardware: Screw 0.375"
-	0017-00042-1076	4	Lift Frame End Cap
-	0K58-01065-0001	1	Power Cord Retainer
-	0K58-01062-0000	2	Lift Motor - 120/60
-	0K58-01089-0000	2	Bronze Sleeve Bushings
-	0017-00042-0840	1	Hardware: Push Mount Clip
-	0K58-01071-0000	2	Wheel
-	0017-00101-1612	1	Hardware: Phillips Screw 0.5"
-	0017-00042-1075	1	Vinyl Cap
-	0017-00007-0214	2	Hardware: Clevis Pin 3/8" D 1.75" L
-	AK58-00220-0000	1	LIFT-FRAME ASSY: MFG. C

Motor and Fan Assemblies



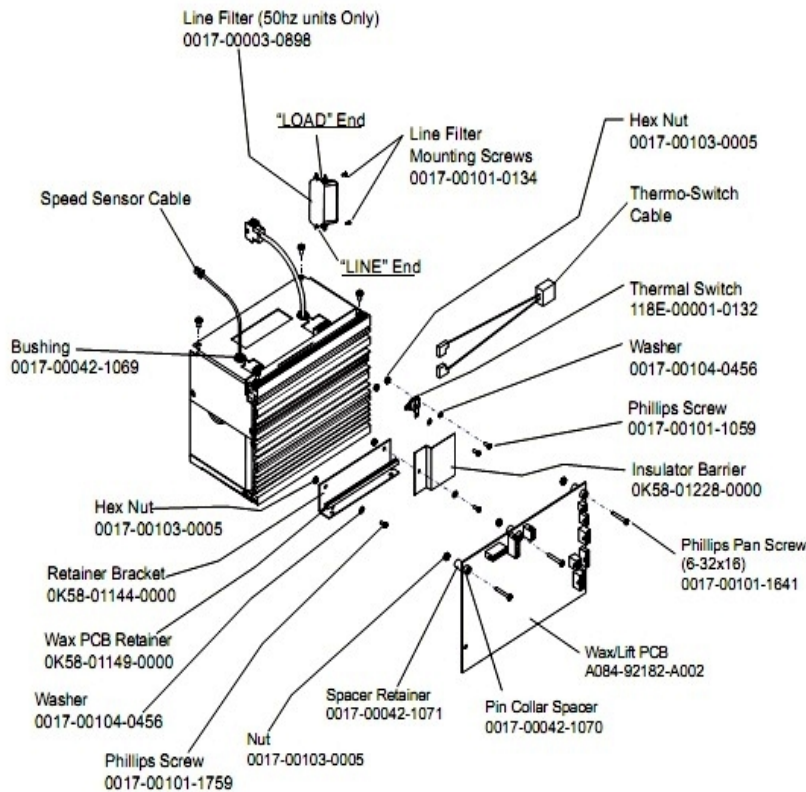
Ref #	Part Number	Qty	Description
-	0017-00101-0668	1	Hardware: Hex Socket Screw
-	AK58-00073-0000	1	Speed Sensor Assembly
-	0017-00101-1781	1	Hardware: Phillips Pan Screw 0.5"
-	AK58-00072-0002	1	Assembly: Drive Motor with Grounding Ring; Dual-Lo
-	AK58-00090-0002	1	Flywheel Assembly
-	AK58-00139-0000	1	Dual Fan Assembly
-	0017-00103-0173	1	Hardware: Square Nut
-	OK26-01418-0000	1	Motor Mounting Strap
-	OK58-01031-0001	1	Motor Mounting Bracket
-	AK58-00140-0000	1	Thermal Switch Assembly
-	0017-00042-1080	1	Plastic Grommets
-	0017-00101-0333	1	Hardware: Screw 0.3125"
-	0017-00103-0132	8	Hardware: Mounting Nut

Motor Controller without PFC



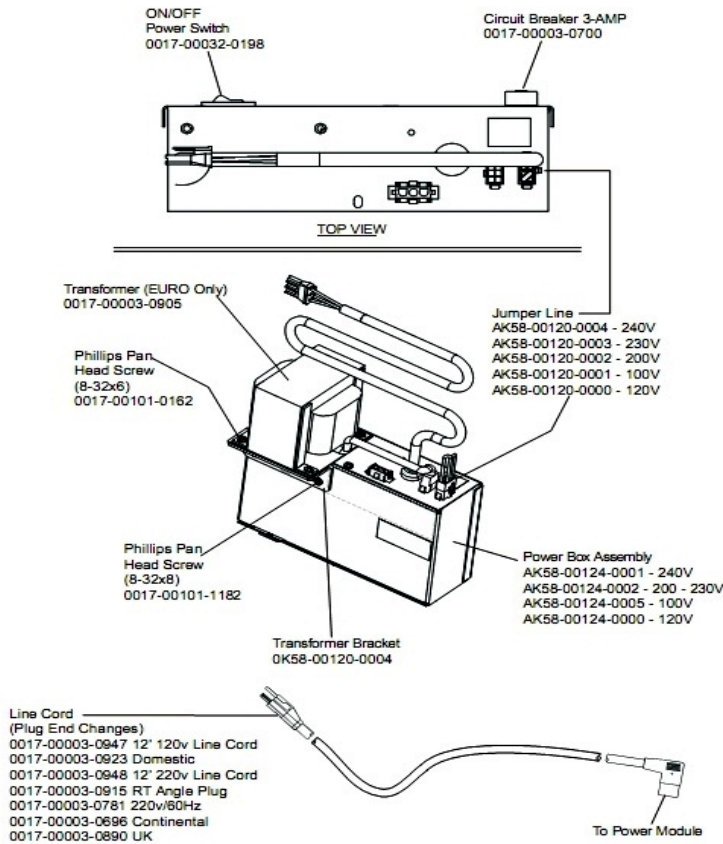
Ref #	Part Number	Qty	Description
-	0017-00003-0932	1	1 AMP Fuse #5 #6
-	0017-00003-0898	1	10 amp Line Filter (INT)
-	0017-00003-0933	1	.5 AMP Fuse #4
-	0K58-01149-0000	1	Wax PCB Retainer
-	0017-00042-1070	1	Pin Collar Spacer
-	0017-00042-1071	4	Spacer Retainer
-	0017-00101-0134	1	Hardware: Line Filter Mounting Screws
-	A084-92182-A002	1	Wax/Lift PCB
-	0017-00101-1641	4	Hardware: Phillips Pan Screw

Motor Controller with PFC



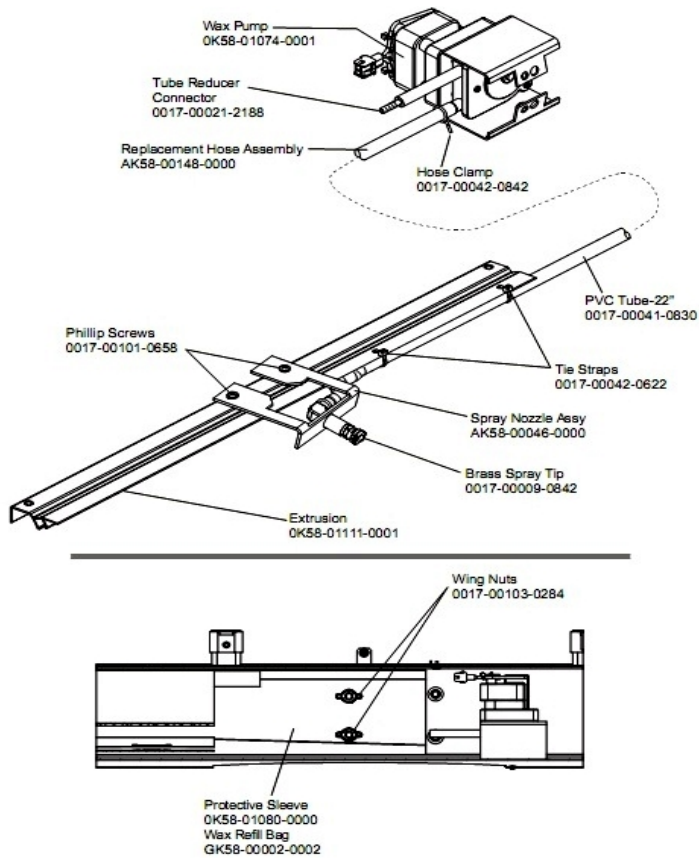
Ref #	Part Number	Qty	Description
-	0017-00042-1071	4	Spacer Retainer
-	0017-00101-1641	4	Hardware: Phillips Pan Screw
-	0017-00042-1070	1	Pin Collar Spacer
-	0K58-01228-0000	1	Insulator Barrier
-	0K58-01149-0000	1	Wax PCB Retainer
-	0017-00101-1059	4	Hardware: Phillips Screw
-	A084-92182-A002	1	Wax/Lift PCB
-	118E-00001-0132	1	Thermal Switch
-	0017-00101-0134	1	Hardware: Line Filter Mounting Screws
-	0017-00042-1069	1	Bushing
-	0017-00101-1759	4	Hardware: Phillips Screw 0.625"
-	0K58-01144-0000	1	Retainer Bracket
-	0017-00103-0005	12	Hardware: Hex Nut
-	0017-00104-0456	8	Hardware: Washer 0.31" OD

Power Box Assembly



Ref #	Part Number	Qty	Description
-	0017-00101-0162	1	Hardware: Screw 0.375"
-	AK58-00124-0000	1	Power Box Assembly 120V
-	0017-00003-0915	1	Line Cord RT Angle Plug
-	0017-00101-1182	1	Hardware: Phillips Pan Head Screw
-	0017-00003-0947	1	Line Cord: 120V; 20A; 12'
-	AK58-00120-0000	1	Jumper Line 120V
-	0K58-01314-0000	1	Transformer Bracket
-	0017-00032-0198	1	On/Off Switch 22A
-	0017-00003-0700	1	3 AMP Circuit Breaker
-	0017-00003-0696	1	Line Cord: International High Voltage (Cont.) 103"
-	0017-00003-0890	1	Line Cord: UK
-	0017-00003-0974	1	Line Cord: 120V: 8'

Waxing Components



Ref #	Part Number	Qty	Description
-	0017-00042-0842	1	Hose Clamp
-	0017-00101-0658	1	Hardware: Access Panel Screws
-	0017-00042-0622	2	Cable Tie
-	GK58-00002-0002	1	Wax Refill Bag
-	0017-00021-2188	1	Tube Reducer Connector
-	0K58-01074-0001	1	Wax Pump
-	0K58-01080-0000	1	Protective Sleeve
-	0017-00103-0284	2	Hardware: Wing Nut
-	0017-00041-0830	1	TUBING: PVC; REINFORCED B
-	0017-00009-0842	1	Brass Spray Tip
-	AK58-00046-0000	1	Spray Nozzle Assembly
-	0K58-01111-0001	1	Extrusion Assembly
-	AK58-00148-0000	1	Replacement Hose

