

Wood Rower - Base & Console

WR-ALLXX-101

Parts Manual

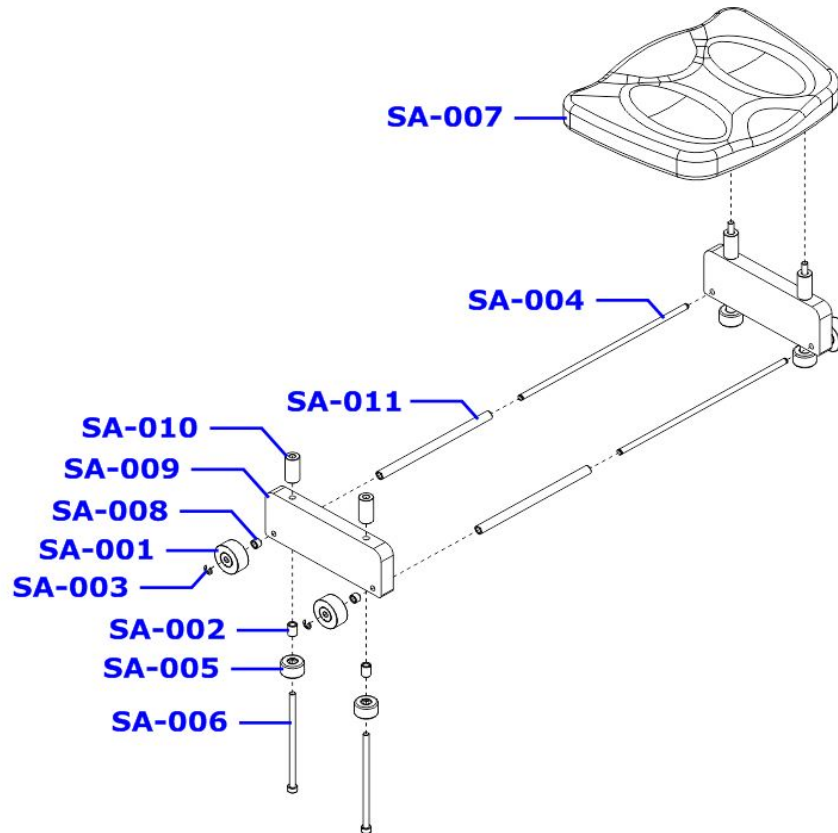
1/5/2019 17:50:28 PM



Table of Contents

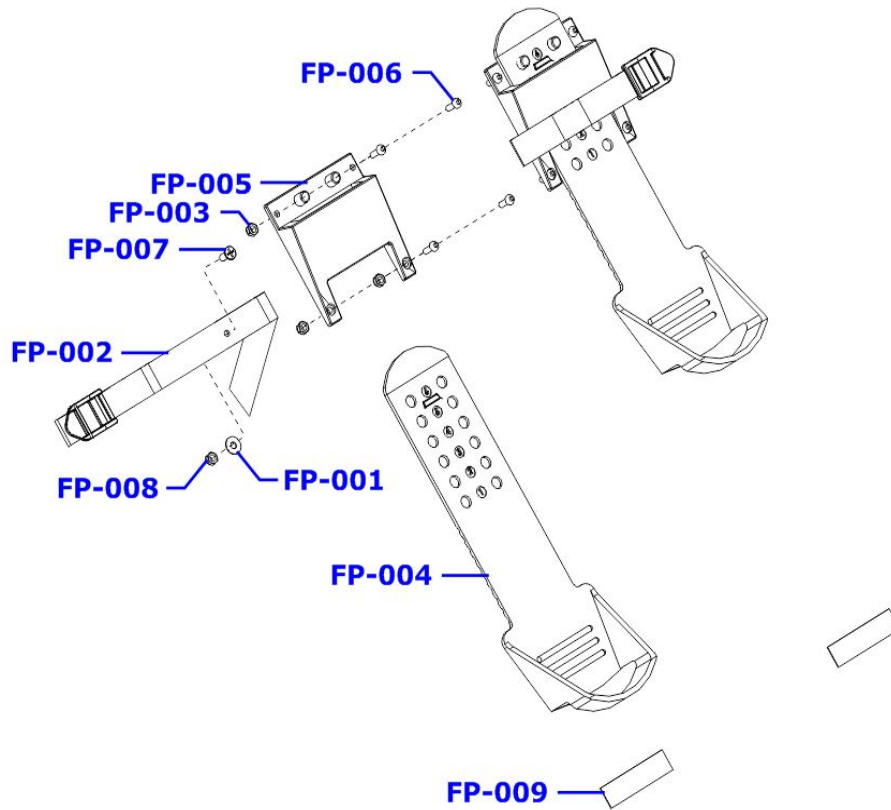
[Complete Assembly](#).....3
[Footplate Assembly](#).....4
[Handle Assembly](#).....5
[Lower Main Frame & Seat Rail Assembly](#).....6
[Main Frame Assembly](#).....7
[Miscellaneous](#).....9
[Seat Assembly](#).....10
[Tank Cover Assembly](#).....11

Complete Assembly



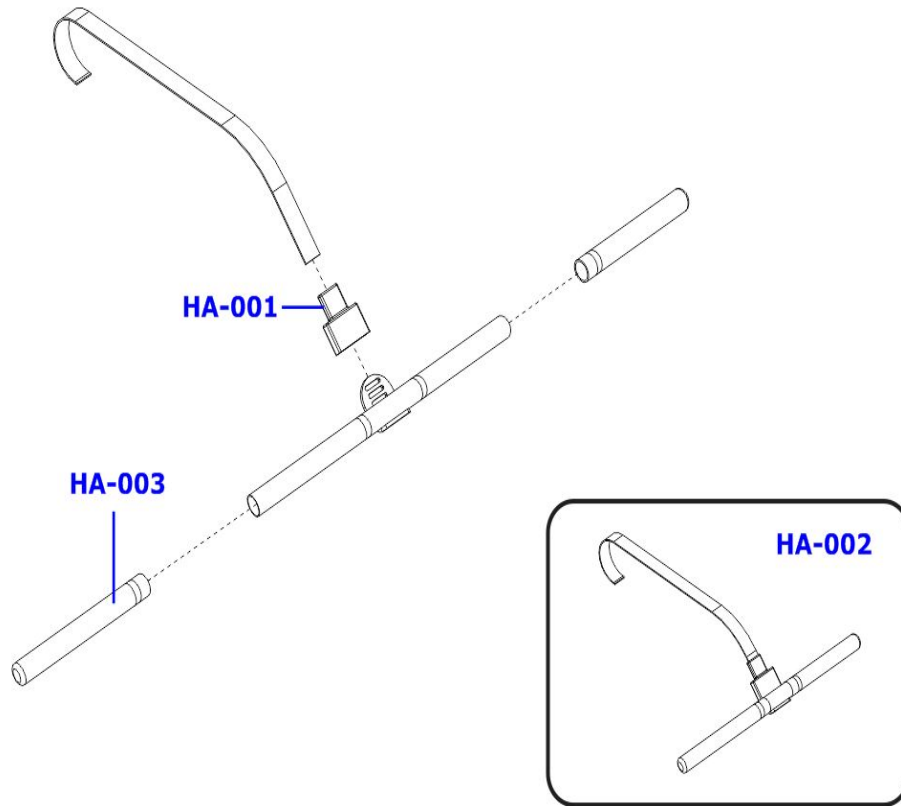
Ref #	Part Number	Qty	Description
CA-001	0K106-0A178-0000	1	0A178, TANK, COMPLETE ASSEMBLY
CA-002,CA-008	0K106-65921-0000	20	WASHER: M8.5X19X1.6-B, 65921
CA-003	0K106-62811-0000	8	62811, BOLT, DOME HEAD, M8X45, B
CA-004	0K106-62822-0000	8	62822, NUT, M8,B
CA-005	0K106-65924-0000	1	65924, ROPE, BUNGEE, 8MMX2230, CRIMPED END, 65922
CA-006	0K106-62812-0000	1	62812, BOLT, HEX HEAD, M6X15, B
CA-007	0K106-62819-0000	2	62819, BOLT, HEX HEAD, M8X60, B
CA-009	0K106-65820-0000	1	65820, BRACKET, BUNGEE, HOOK
CA-010	0K106-66066-0000	4	66066, SCREW, SHOULDER, M6X10
CA-011	0K106-65923-0000	1	65923, SLIDER, BUNGEE, 8MM
CA-012	0K106-65931-0000	10	NUT: M8-B, NYLOCK, 65931
CA-013	0K106-66070-0000	2	66070, WHEEL, TRANSPORT
CA-014	0K106-66357-0000	1	66357, BOARD, REAR, 268X115X23
CA-015	1007468-0001	2	0A221, RAIL, SIDE, COMPLETE ASSEMBLY, ROW STX
CA-016	0K106-60148-0000	1	60148, HEART RATE LEAD, 400mm

Footplate Assembly



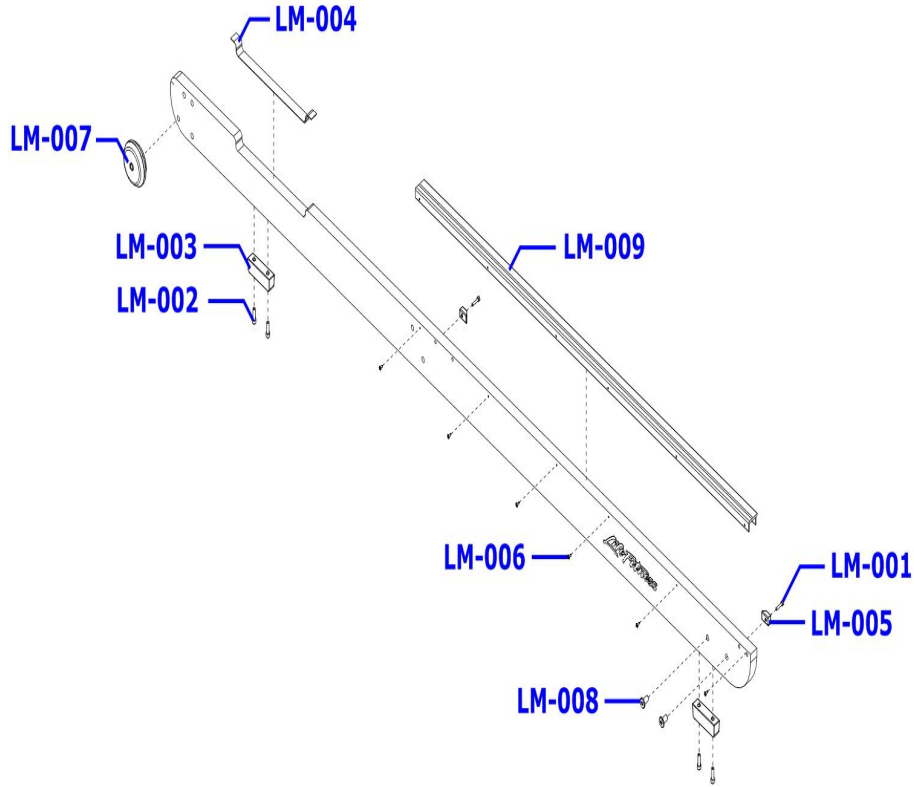
Ref #	Part Number	Qty	Description
FP-001	0K106-10100-0000	2	WASHER: M6X16X1, 10100
FP-002	0K106-13176-0000	2	STRAP/BUCKLE: FOOT, 13176
FP-003	0K106-30608-0000	8	NUT: M5 - B, NYLOCK, 30608
FP-004	0K106-62063-0000	2	SLIDER: FOOTPLATE, 62063
FP-005	0K106-62064-0000	2	BASE: FOOTPLATE SLIDER, 62064
FP-006	0K106-65693-0000	8	BOLT: M5X15, DOME HEAD, 65693
FP-007	0K106-11173-0000	2	BOLT: M6X15-B, COUNTER SUNK, 11173
FP-008	0K106-65935-0000	2	NUT: M6, NYLOCK, 65935
FP-009	0K106-65997-0000	2	VELCRO: FOOTPLATE SLIDER, 65997

Handle Assembly



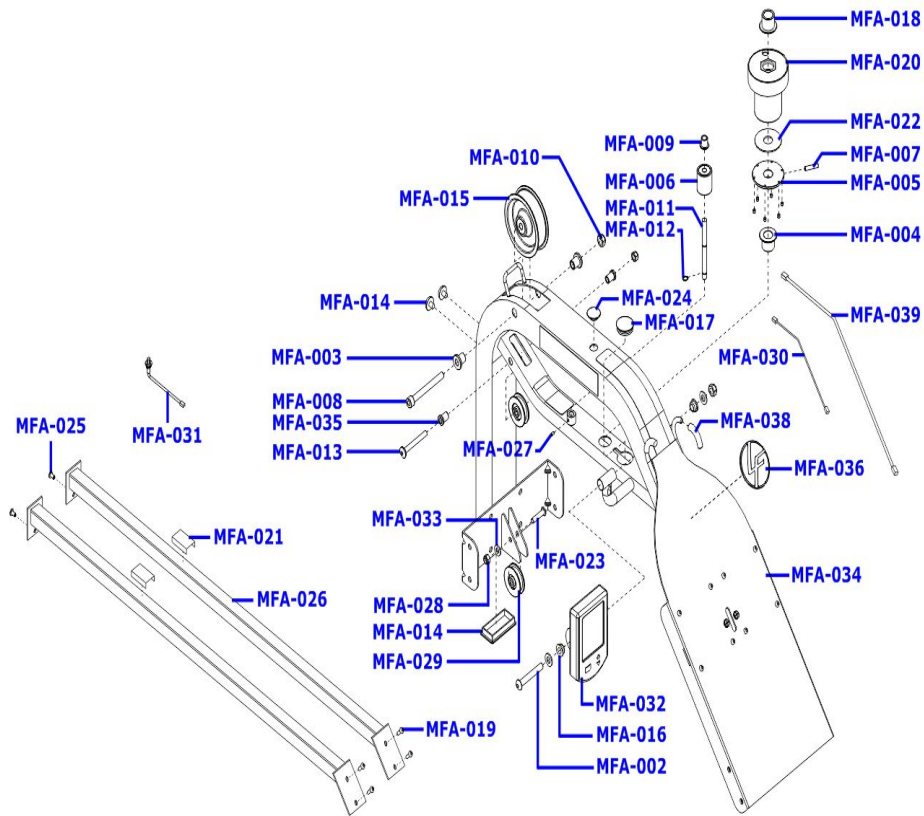
Ref #	Part Number	Qty	Description
HA-001	0K106-60504-0000	1	60504, COVER, RUBBER, HANDLE/BELT
HA-002	0K106-0A048-0000	1	0A048, HANDLE, COMPLETE
HA-003	0K106-60506-0000	1	60506, GRIP, HANDLE

Lower Main Frame & Seat Rail Assembly



Ref #	Part Number	Qty	Description
LM-001	0K106-62814-0000	4	62814, BOLT, HEX HEAD, M4X20, B
LM-002	0K106-62815-0000	8	62815, BOLT, HEX HEAD, M6X20, B
LM-003	0K106-66039-0000	4	66039, BUMPER, RAIL, SIDE
LM-004	0K106-66055-0000	2	66055, VELCRO, SIDR RAIL, 20X345
LM-005	0K106-66056-0000	4	66056, SQUARE, BUMP STOP. 23X15X6.5
LM-006	0K106-66074-0000	12	66074, SCREW, M3X15
LM-007	0K106-66070-0000	2	66070, WHEEL, TRANSPORT
LM-009	0K106-0A121-0000	2	0A121, RAIL, SIDE, COMPLETE ASSEMBLY
LM-010	0K106-84322-0000	1	84322, BADGE, BUG, LF
LM-011	0K106-66354-0000	2	66354, RUNNER, SEAT

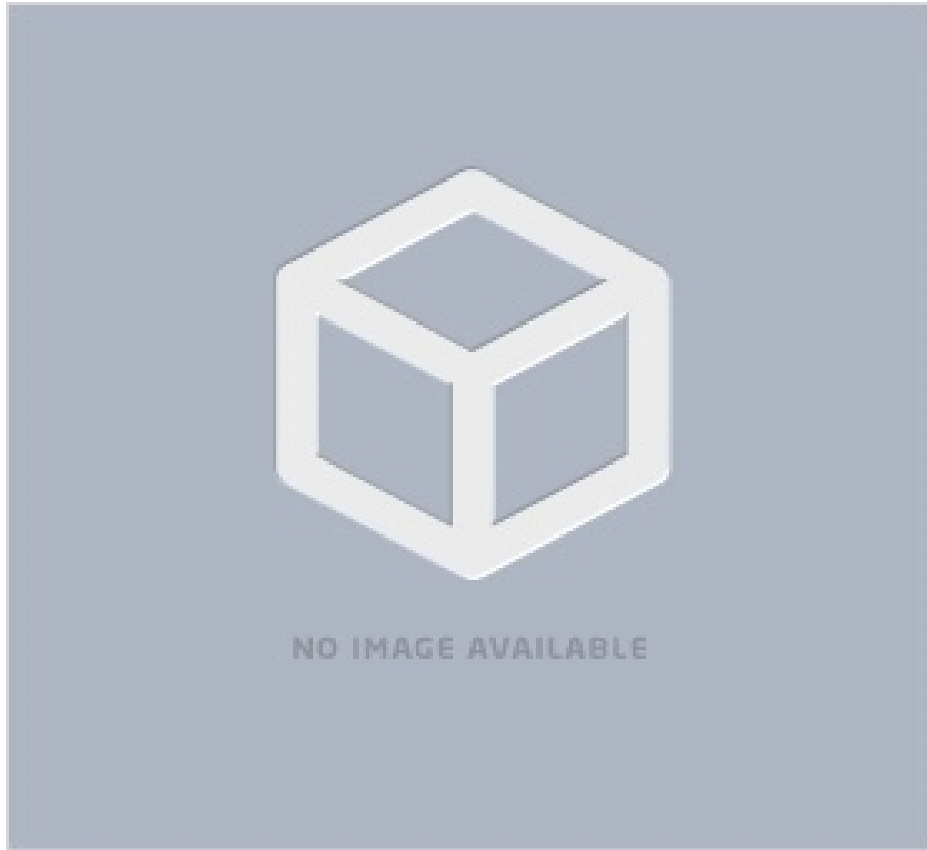
Main Frame Assembly



Ref #	Part Number	Qty	Description
MFA-001	0K106-10069-0000	1	10069, CAP, END, 75X50MM
MFA-002	0K106-65918-0000	1	BOLT: M10X60, DOME HEAD, 65918
MFA-003	0K106-60110-0000	2	60110, SPACER, BELT PULLEY, 10X24X23
MFA-004	0K106-60113-0000	1	60113, BUSHING, MAIN SHAFT, OIL, 38X20X22
MFA-005	0K106-60114-0000	1	60114, RING, MAGNET & 6XMAGNET, 60124
MFA-006	0K106-60119-0000	1	60119, WHEEL, IDLE & 2XBEARINGS, 60112
MFA-007	0K106-60120-0000	1	60120, PIN, ROLL, M6X30
MFA-008	0K106-60221-0000	1	60221, BOLT, HEX HEAD, M10x90, B
MFA-009	0K106-60123-0000	1	60123, FRAME MOUNT, UPPER, IDLER SHAFT
MFA-010	0K106-11097-0000	1	NUT: M10, DOME HEAD, 11097
MFA-011	0K106-60125-0000	1	60125, SHAFT, PULLEY, IDLER
MFA-012	0K106-60126-0000	2	60126, CLIP, C, 10MM
MFA-013	0K106-61228-0000	1	
MFA-014	0K106-60130-0000	2	60130, BUMPER, RUBBER, FRAME
MFA-015	0K106-60111-0000	1	PULLEY, BELT/BEARING, 2X: 10X105X32, 60111
MFA-016	0K106-10114-0000	2	BUSHING: 20X16X13X10, PLASTIC, 10114
MFA-017	0K106-60145-0000	1	60145, PLUG, FRAME, 38.1MM
MFA-018	0K106-60150-0000	1	60150, BUSHING, NYLON, MAIN SHAFT
MFA-019	0K106-62807-0000	2	62807, BOLT, DOME HEAD, M8x15
MFA-020	0K106-60900-0000	1	60900, PULLEY, BELT, BUNGEE, VELCRO, BEARINGS
MFA-021	0K106-61001-0000	2	61001, STRIP, TANK BONDING, 3M, 40x40MM, VHB
MFA-022	0K106-61066-0000	1	61066, WASHER, PLASTIC, M5920.1X2T

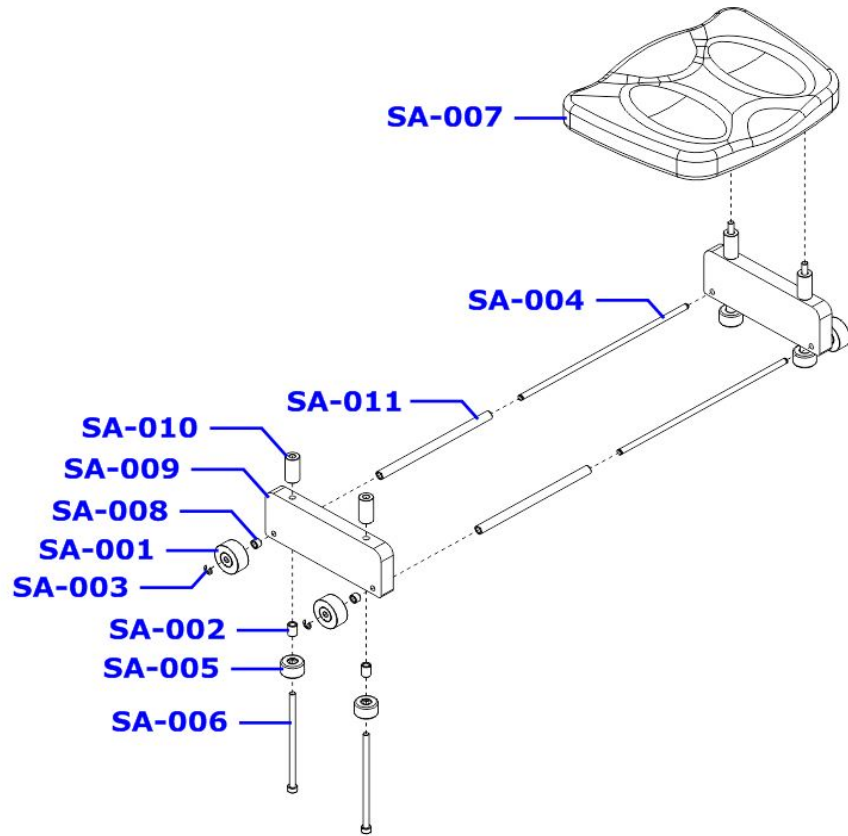
Ref #	Part Number	Qty	Description
MFA-023	0K106-62810-0000	1	62810, BOLT, DOME HEAD, M8X35, B
MFA-024	0K106-65125-0000	1	65125, CAP, END, RUBBER, MAIN FRAME
MFA-025	0K106-65142-0000	2	65142, BOLT, HEX HEAD, M8X15, B
MFA-026	0K106-65143-0000	2	65143, STRUT, TANK
MFA-027	0K106-10052-0000	1	10052, SCREW, GRUB, M4X6, B
MFA-028	0K106-65931-0000	2	NUT: M8-B, NYLOCK, 65931
MFA-029	0K106-65988-0000	2	65988, PULLEY, BUNGEE, BEARING, SPACER
MFA-030	0K106-11070-0000	1	11070, CABLE, SENSOR CONNECTING, 300MM
MFA-031	0K106-11072-0000	1	11072, SENSOR, 100MM
MFA-032	0K106-70141-0000	1	70141, MONITOR, W/USB
MFA-033	0K106-65921-0000	1	WASHER: M8.5X19X1.6-B, 65921
MFA-034	0K106-21222-0000	1	21222, FRAME, UPPER
MFA-035	0K106-60108-0000	2	60108, SPACER, BUNGEE PULLEY, 8MM
MFA-036	0K106-84322-0000	1	84322, BADGE, BUG, LF
MFA-037	0K106-90104-0000	2	90104, COVER, RUBBER, HOOK

Miscellaneous



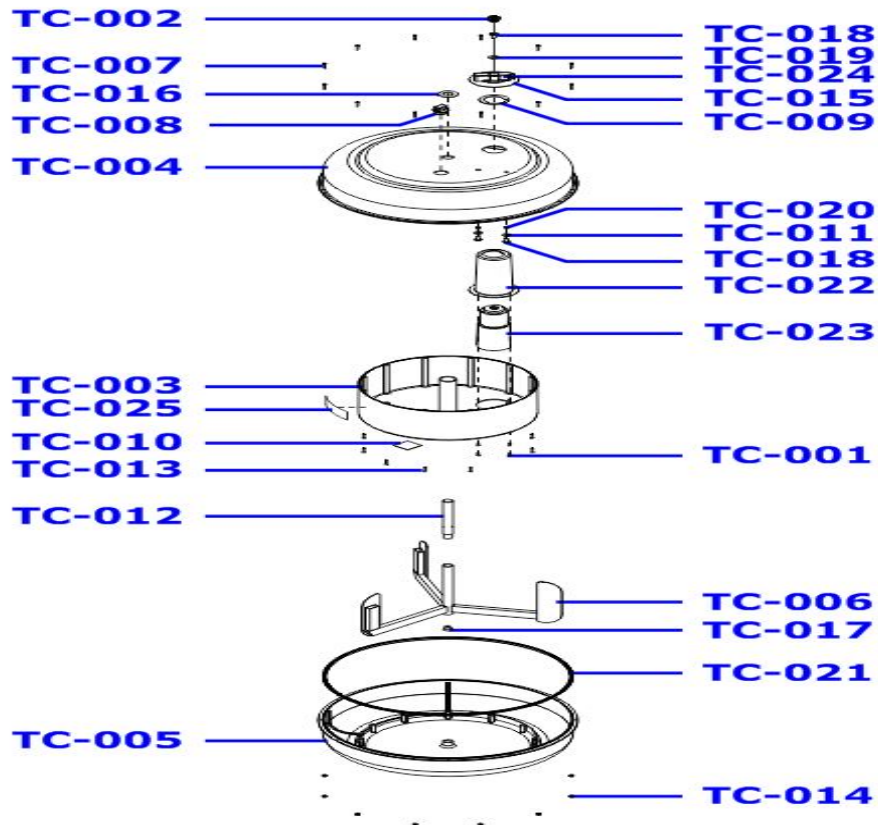
Ref #	Part Number	Qty	Description
-	0K106-61502-0000	1	LABEL: QR CODE
-	0K106-00HHX-0000	1	00HHX, KIT, HARDWARE
-	0K106-63006-0000	1	63006, DECAL, HS TANK LEVEL
-	0K106-10131-0000	1	10131 WATER TREATMENT TABLETS
-	0K106-62002-0000	1	62002 SIPHON PUMP

Seat Assembly



Ref #	Part Number	Qty	Description
SA-001	0K106-66323-0000	4	66323, WHEEL, SEAT, 98A
SA-002	0K106-66065-0000	4	66065, SPACER, 12.7X8X19.5
SA-003	0K106-66064-0000	4	66064, ECLIP, D7
SA-004	0K106-66063-0000	2	66063, SHAFT, AXEL, 8MM
SA-005	0K106-65702-0000	4	WHEEL:-B, SEAT, 65702
SA-006	0K106-62818-0000	4	62818, BOLT, HEX HEAD, M8X160, B
SA-007	0K106-66058-0000	1	66058, SEAT, LS, E28
SA-008	0K106-66059-0000	4	66059, SPACER, 12.7X8X8.5
SA-009	1007470-0001	2	64060, FRAME, SEAT, 220X78.5X23 - STX
SA-010	0K106-66061-0000	4	66061, SPACER, 20X8X40
SA-011	0K106-66062-0000	2	66062, SPACER, 12X8X209

Tank Cover Assembly



Ref #	Part Number	Qty	Description
TC-001	0K106-65992-0000	4	65992, BOLT, COUNTER SUNK, M3X12, SUS
TC-002	0K106-65991-0000	1	65991, CAP, END, ADJUSTER, KNOB
TC-003	0K106-65982-0000	1	65982, SHELL, TANK, INNER RESERVE
TC-004	0K106-65981-0000	1	65981, SHELL, TANK, OUTER
TC-005	0K106-65980-0000	1	65980. TANK SHELL, LOWER
TC-006	0K106-65971-0000	1	65971, IMPELLER, AR
TC-007	0K106-63132-0000	12	63132, BOLT, ALLEN KEY, M3X20, SUS
TC-008	0K106-63144-0000	1	63144, PLUG , TANK, HS
TC-009	0K106-61285-0000	1	61285, SPACER, RUBBER
TC-010	0K106-61001-0000	1	61001, STRIP, TANK BONDING, 3M, 40x40MM, VHB
TC-011	0K106-60606-0000	2	60606, SPACER, PLASTIC, M6X15X25-B
TC-012	0K106-60304-0000	1	60304, SHAFT, FLYWHEEL, UPPER
TC-013	0K106-10036-0000	12	SCREW: M3X20 SUS, TAPPING, COUNTER SUNK, 10036
TC-014	0K106-60133-0000	12	60133, NUT, BYLOCK, M3, SUS
TC-015	0K106-65885-0000	1	65885, DECAL, AR RESISTANCE, LF
TC-016	0K106-60137-0000	1	60137, SPACER, SHAFT, IMPELLER, TANK, 19.9X40
TC-017	0K106-60138-0000	1	60138, CAP, END, IMPELLER
TC-018	0K106-60139-0000	3	60139, SCREW, INTERNAL, TANK, M6X15, SUS
TC-019,TC-025	0K106-60146-0000	2	60146, WASHER, M6X16X1, SUS
TC-020	0K106-60147-0000	2	60147, RING, O 9.5X6.5X1.5
TC-021	0K106-64118-0000	1	64118, SEAL, LARGE RING, TANK

Ref #	Part Number	Qty	Description
TC-022	0K106-65883-0000	1	65883, CUP, OUTER, TANK ADJUSTER, RED, LF
TC-023	0K106-65884-0000	1	65884, CUP, INNER, TAN ADJUSTER, RED, LF
TC-024	0K106-65886-0000	1	65886, KNOB, ADJUSTER, RED

