

X1 Base 120/60 Domestic Cord

X1-XX00-0103

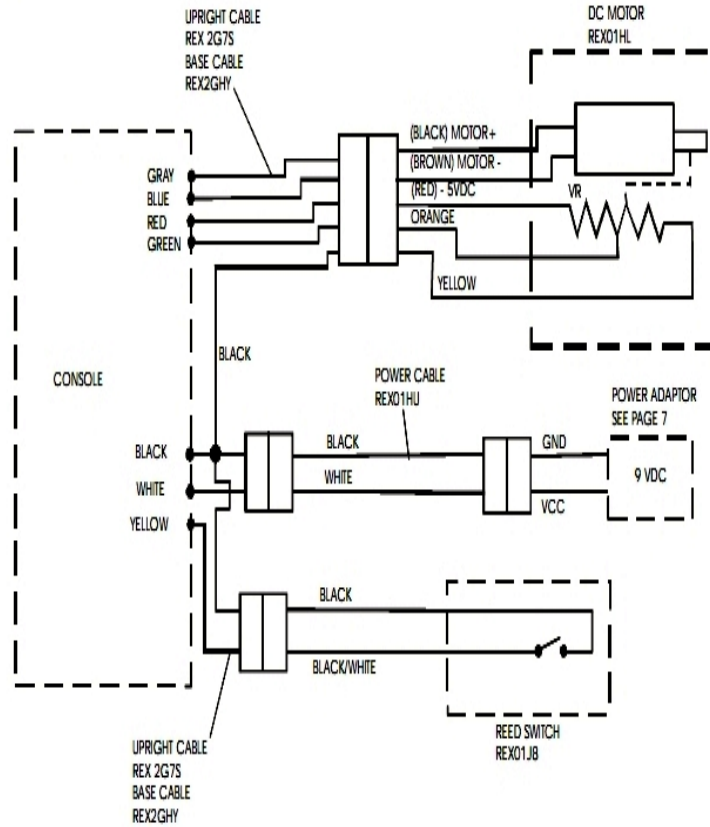
Parts Manual

1/5/2019 17:51:48 PM

Table of Contents

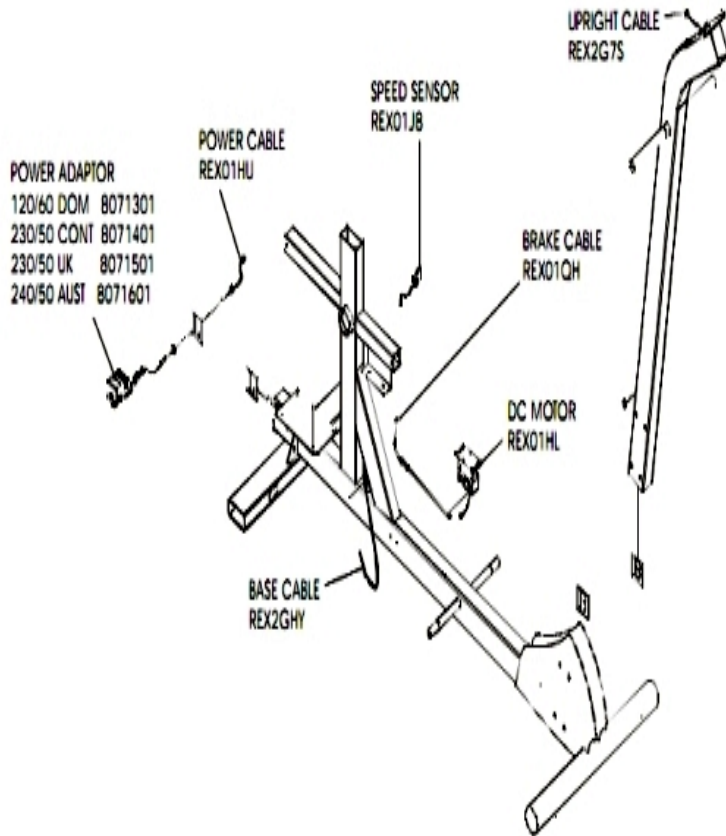
[Block Diagram](#).....3
[Cables](#).....4
[Console Upright and User Arm Components](#).....5
[General Assembly](#).....6
[Movement Arms and Hardware](#).....7
[Pedal Arms and Hardware](#).....8
[Rear Components](#).....9
[Upright Hardware and Levelers](#).....11

Block Diagram



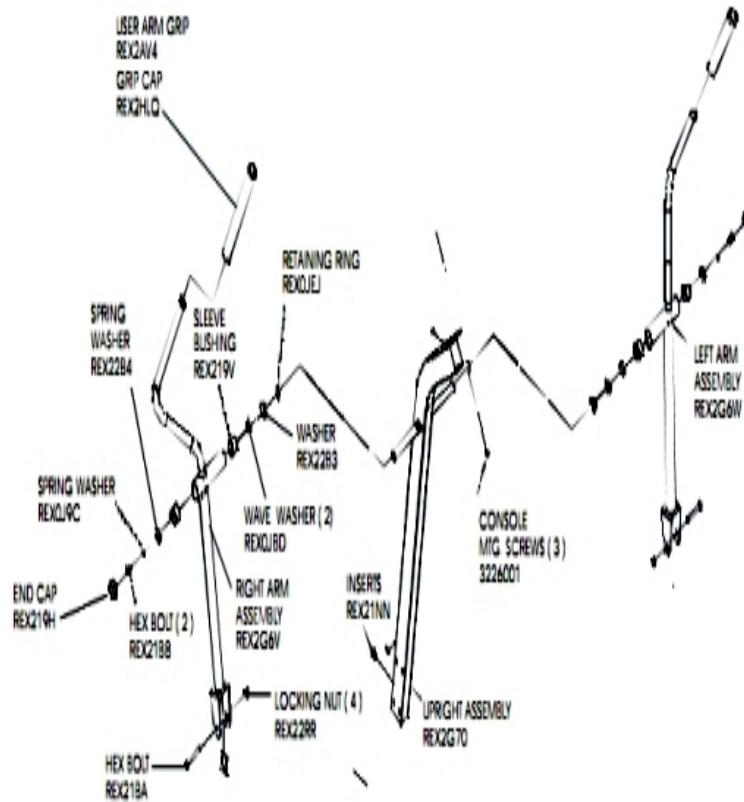
Ref #	Part Number	Qty	Description
-	REX2GHY	2	Cable, Cross-Trainer Base
-	REX01J8	1	Switch, Reed, RPM Sensor
-	REX2G7S	2	Cable, Console
-	REX01HL	1	Drive Motor, Pesistande DC
-	REX01HU	1	Cable, Cross-Trainer Motor-Transformer

Cables



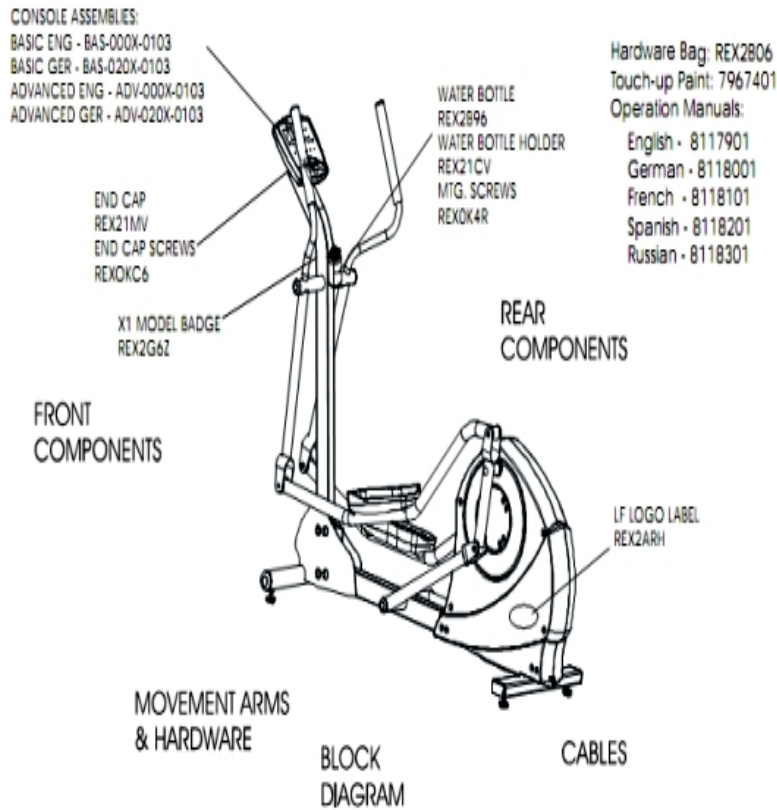
Ref #	Part Number	Qty	Description
-	8819801	1	Transformer, 100-240V, 9V, 1.5A, Domestic, W-Swite
-	REX01HU	1	Cable, Cross-Trainer Motor-Transformer
-	REX2G7S	1	Cable, Console
-	REX01J8	1	Switch, Reed, RPM Sensor
-	REX2GHY	1	Cable, Cross-Trainer Base
-	REX01QH	1	Cable, Brake Harness
-	REX01HL	1	Drive Motor, Pesistande DC

Console Upright and User Arm Components



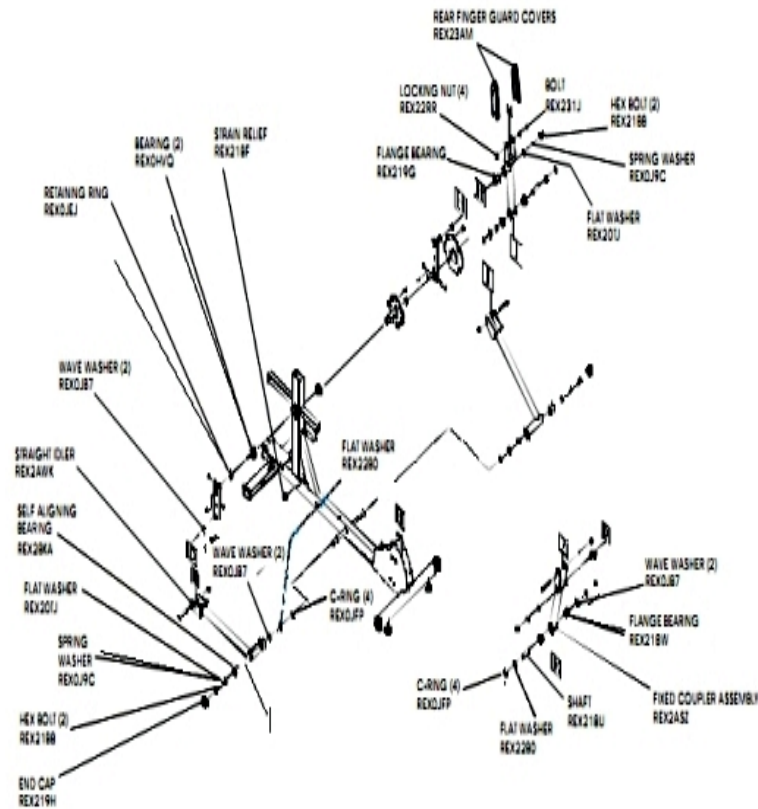
Ref #	Part Number	Qty	Description
-	REX2BKF	2	Cap, End Stationary Handlebar
-	REX0J9C	2	Hardware: Washer, Spring 10MM ID
-	REX0JEJ	2	Ring, Retaining, 63/64
-	REX22B3	2	Hardware: Washer, .26 X 35-.8
-	REX219V	2	Bearing, Sleeve
-	REX2AV4	2	Grip, User Arm
-	3226001	3	6-20 X 6 PHI PAN PLT ST BZ
-	REX0JBD	4	Hardware: Wave Washer; 25MM X 35MM
-	REX2G6V	1	Right Upright Handlebar Assembly
-	REX219H	2	Cap End, Black
-	REX2G70	1	Console Mast Assembly
-	REX22B4	2	Washer, Spring 10MM X 35-2
-	REX21B8	4	Bolt, HEX HD. M10 X 1.5-20
-	REX22RR	8	Hardware: Nut, Nylock M10 X 1.5-8
-	REX21NN	2	Hardware: Nut, Insert M10 X 1.5
-	REX2G6W	1	Left Upright Handlebar Assembly
-	REX2HLQ	2	Cap, End Hand Grip
-	REX21BA	2	Bolt, HEX HD M10 X 1.5-81.5
-	REX27SA	2	Grip, Stationary Handlebar

General Assembly



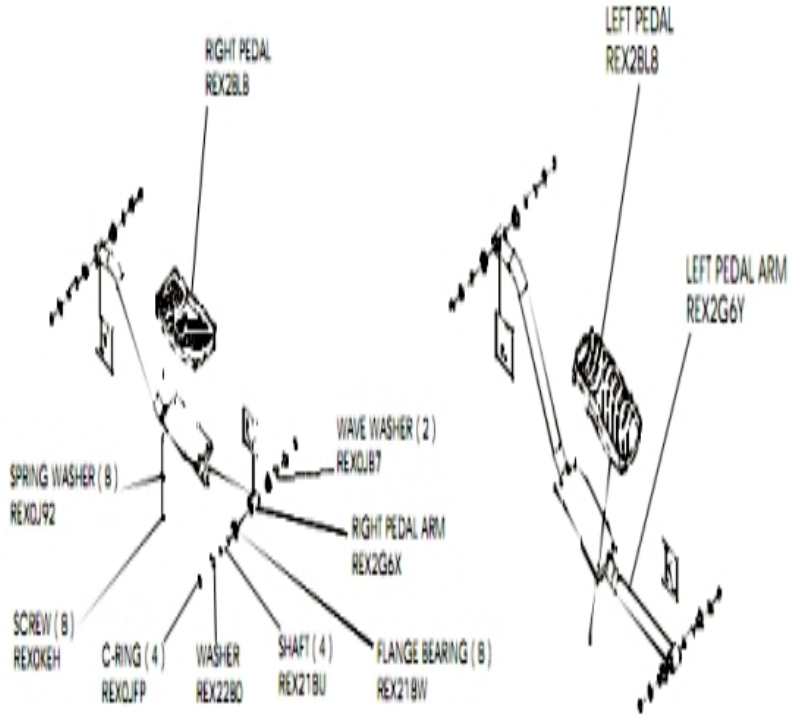
Ref #	Part Number	Qty	Description
-	REX0K4R	1	Hardware: Screw, PHI 5MM X 12MM
-	REX0KC6	2	Hardware: Screw, Truss HD Tap M4 X 16-12
-	REX2ARH	2	Decal: Label, LifeFitness Logo
-	REX21CV	1	Holder, Water Bottle
-	REX2G6Z	1	BADGE, X1
-	REX2B06	1	X1-5: Hardware Bag Assembly
-	7967401	1	Paint, Touch Up 4.5 OZ., Pewter
-	REX2B96	1	Accessory: Water Bottle
-	REX21MV	1	Cap, Upright Tube End

Movement Arms and Hardware



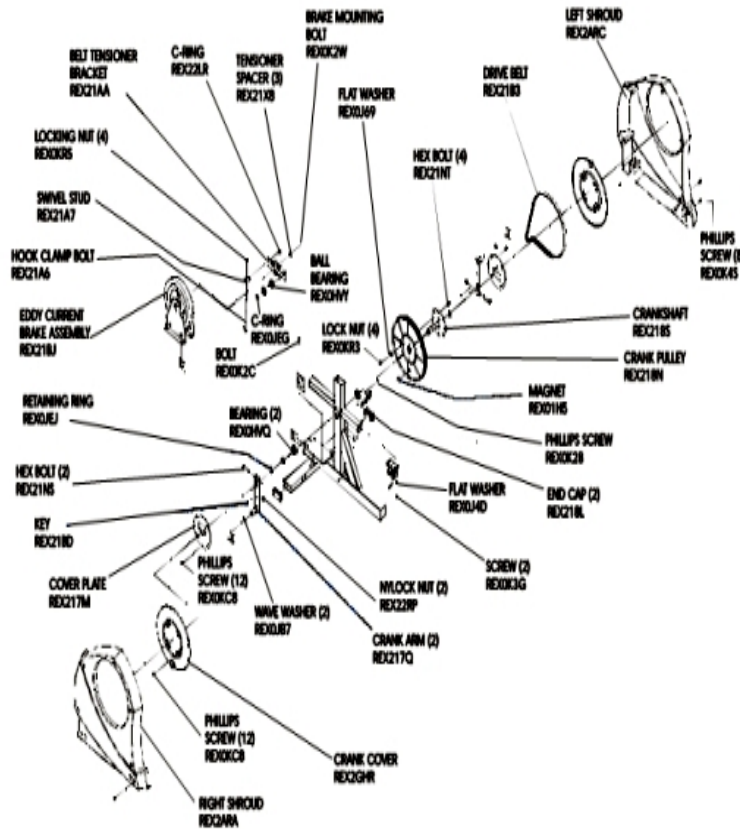
Ref #	Part Number	Qty	Description
-	3225301	2	Bearing, 12MM Ball
-	REX2BKA	1	Bearing, Self-Align, 2202
-	REX22B0	2	Washer, Flat 19.5 X 28-.8
-	REX22RR	4	Hardware: Nut, Nylock M10 X 1.5-8
-	REX231J	1	Bolt, HEX HD M10 X 1.5-90
-	REX2ASZ	1	Coupler Assembly
-	REX23AM	1	Cover, Rear Finger Guard
-	REX0JFP	8	Ring, C-Retaining, A-.750
-	REX20TJ	2	Washer, Flat, .13 X 22 X 1.5
-	REX21B8	4	Bolt, HEX HD. M10 X 1.5-20
-	REX2AWK	1	Assembly, Straight Idler
-	REX0J9C	2	Hardware: Washer, Spring 10MM ID
-	REX0JEJ	1	Ring, Retaining, 63/64
-	REX218U	1	Shaft, .744 X 2.537
-	REX0JB7	6	Hardware: Wave Washer; 20.5MM X 26.7MM T = 0.25MM
-	REX21BF	1	Strain Relief, NB-2430 Black
-	REX219G	1	Bearing, Flanged-Bronze
-	REX219H	1	Cap End, Black
-	REX218W	1	Bearing, Flanged-Bronze

Pedal Arms and Hardware



Ref #	Part Number	Qty	Description
-	REX218W	16	Bearing, Flanged-Bronze
-	REX0J92	16	Hardware: Washer, Spring .5
-	REX22B0	2	Washer, Flat 19.5 X 28-.8
-	REX2G6X	1	Right Pedal Lever Assembly
-	REX0JFP	8	Ring, C-Retaining, A-.750
-	REX2G6Y	1	Left Pedal Lever Assembly
-	REX2BL8	1	Pedal, Left
-	REX0JB7	4	Hardware: Wave Washer; 20.5MM X 26.7MM T = 0.25MM
-	REX0KEH	16	Hardware: Screw, Pan HD with Patch M5 X .8-16
-	REX2BLB	1	Pedal, Right
-	REX218U	4	Shaft, .744 X 2.537

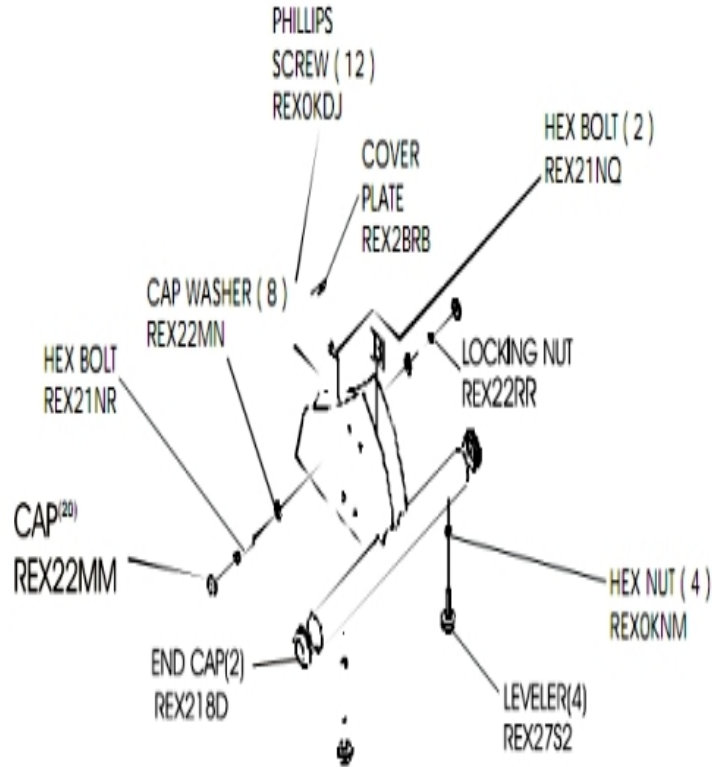
Rear Components



Ref #	Part Number	Qty	Description
-	3225301	2	Bearing, 12MM Ball
-	REX0K2C	1	Hardware: Screw, SHCS M8 X 1.25-16 BZ
-	REX0KR3	4	Hardware: Nut, Lock M6 X 1, 6MM Thick
-	REX0K2W	1	Hardware: Screw, SHCS Brake MTG
-	REX21BD	1	Key, Parallel 8 X 12
-	REX21NS	2	Hardware: Bolt, HEX HD. M8 X 1.25-60
-	REX0KC8	24	Hardware: Screw, M4* 16-16 PHI RND
-	REX2GHR	1	Shroud, Crank
-	REX0K4S	8	Hardware: Screw, PHI 5MM X 12MM
-	REX217Q	2	Crankarm Assembly
-	REX218L	2	Cap, Rect. End, Black
-	REX22RP	2	Hardware: Nut, Nylock M8 X 1.25 X 6MM Thick
-	REX217M	1	Plate, Support, Cover
-	REX2ARA	1	Shroud, Rear Right
-	REX2ARC	1	Shroud, Rear Left
-	REX21BJ	1	Brake, Assembly Eddy Current
-	REX0K28	1	Hardware: Cap Screw, M5 X 0.8-16
-	REX0HVV	1	Bearing, Ball 6204ZZ
-	REX0JEG	1	Ring: C-Ring, A-20
-	REX22LR	1	Ring: C-Ring, A-16
-	REX21A7	1	Hardware: Stud, Swivel
-	REX01H5	1	Magnet Rexion

Ref #	Part Number	Qty	Description
-	REX0JEJ	1	Ring, Retaining, 63/64
-	REX218S	1	Crank Shaft Assembly
-	REX21X8	3	Spacer, Tensioner
-	REX21NT	4	Hardware: Bolt, HEX HD M6 X 1-20
-	REX0JB7	2	Hardware: Wave Washer; 20.5MM X 26.7MM T = 0.25MM
-	REX0K3G	2	Hardware: Screw, PHI HD. M5 X .8-12
-	REX21AA	1	Bracket, Belt Tensioner
-	REX0J4D	1	Washer, Flat .5 X 10-1
-	REX0J69	1	Hardware: Washer, Flat .6 X 13-1
-	REX0KR5	4	Hardware: Nut, Nylock M10 X 1.5, 10M Thick
-	REX218N	1	Pulley, Crank
-	REX21A6	1	Hardware: Bolt, Hook Clamp
-	REX21B3	1	Belt, Drive, Poly V, 520PJ

Upright Hardware and Levelers



Ref #	Part Number	Qty	Description
-	REX0KNM	4	Hardware: Nut, HEX M10 X 1.5-8
-	REX22MM	2	Cap, Raised Head, Black
-	REX22MN	8	Washer, Raised Head
-	REX2BRB	1	Plate, Console Mast Cover
-	REX218D	2	End Cap, Tube, Black
-	REX22RR	1	Hardware: Nut, Nylock M10 X 1.5-8
-	REX0KDJ	12	Hardware: Screw, PHI 5MM*.8 X 12MM
-	REX21NR	1	Hardware: Bolt, HEX HD M10 X 1.5-67 CZ
-	REX27S2	4	Leveler, Leg
-	REX21NQ	2	Hardware: Bolt, HEX HD M10 X 1.5-30

