

# X1 Cross-Trainer Base DOM Cord

X1-XX00-0104

## Parts Manual

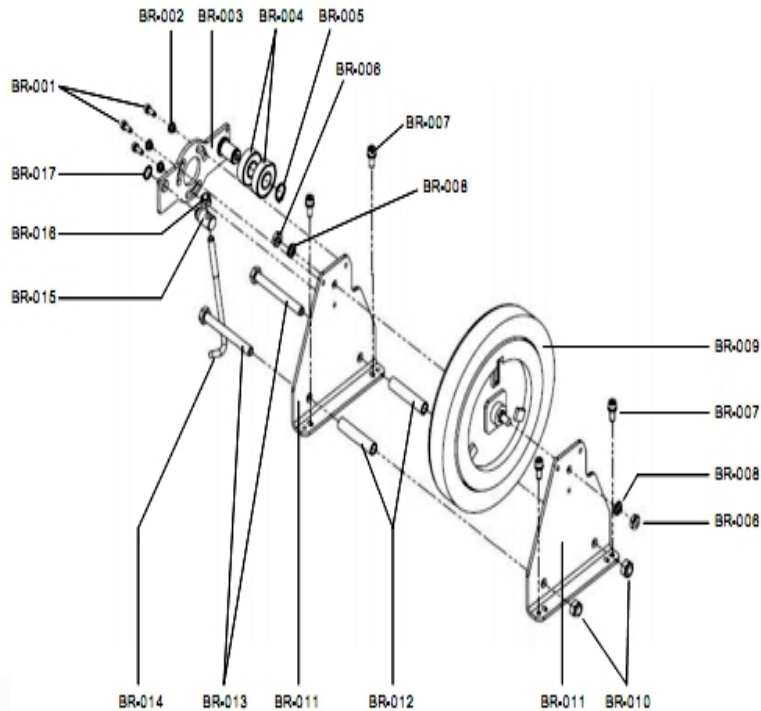
1/5/2019 17:51:50 PM

## Table of Contents

---

<a href="#">Brake and Tensioner Components.....</a>	<a href="#">3</a>
<a href="#">Console.....</a>	<a href="#">4</a>
<a href="#">Crank Related Components.....</a>	<a href="#">5</a>
<a href="#">Idler Coupler Assemblies.....</a>	<a href="#">6</a>
<a href="#">Main Shrouds and Crank Covers.....</a>	<a href="#">7</a>
<a href="#">Miscellaneous.....</a>	<a href="#">8</a>
<a href="#">Motor, Reed Switch and Cables.....</a>	<a href="#">9</a>
<a href="#">Pedal Lever Assemblies and Components.....</a>	<a href="#">10</a>
<a href="#">Stabilizer Components and Grommets.....</a>	<a href="#">11</a>
<a href="#">Uprights and Related Components.....</a>	<a href="#">12</a>
<a href="#">User Arm Assemblies and Components.....</a>	<a href="#">13</a>
<a href="#">Wiring Diagram.....</a>	<a href="#">14</a>

## Brake and Tensioner Components



Ref #	Part Number	Qty	Description
BR-001	REX0K2W	6	Hardware: Screw, SHCS Brake MTG
BR-002	REX21X8	6	Spacer, Tensioner
BR-003	REX3535	2	BRKT, BELT TENSOR
BR-004	REX0HVY	4	Bearing, Ball 6204ZZ
BR-005	REX0JEG	2	Ring: C-Ring, A-20
BR-006	REX20W4	4	Hardware: Nut, HEX M10 X 1.5-6
BR-007	REX25ZJ	8	Hardware: Cap Screw, M8 X 1.25-20
BR-008	REX0J93	2	Hardware: Washer, Spring 1.0
BR-009	REX21BJ	2	Brake, Assembly Eddy Current
BR-010	REX0KR0	4	Hardware: Nut, Lock M12 X 1.75-12
BR-011	REX21LF	4	Bracket, Brake MTG
BR-012	REX21LG	4	Spacer, Collar
BR-013	REX21NP	4	Hardware: Bolt, HEX HD M12 X 1.75-110
BR-014	REX21A6	2	Hardware: Bolt, Hook Clamp
BR-015	REX21A7	2	Hardware: Stud, Swivel
BR-017	REX22LR	2	Ring: C-Ring, A-16

**Console**

---



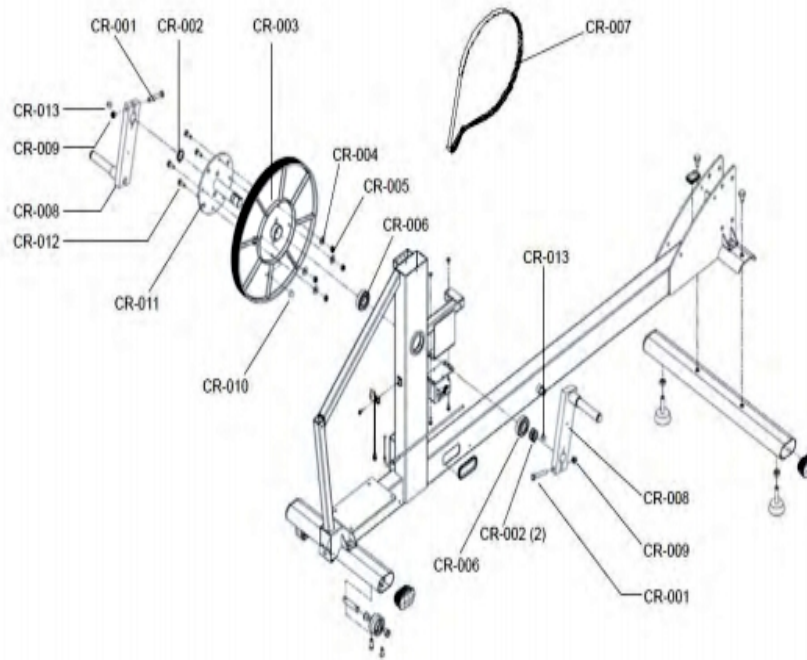
CN-001



CN-002

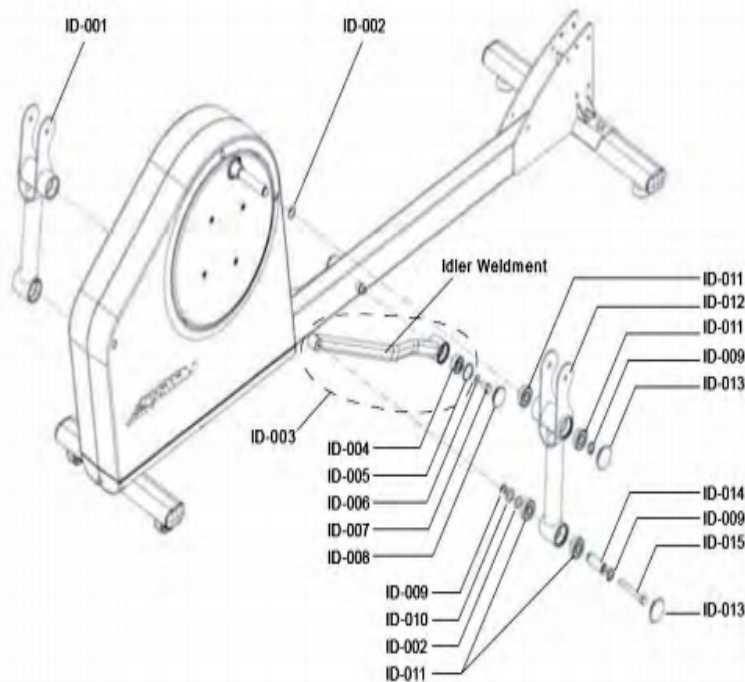
Ref #	Part Number	Qty	Description
CN-001	GC-040X-0104	2	GO CT/BIKE CONSOLE, SPN/MET
CN-001	GC-020X-0104	2	GO CT/BIKE CONSOLE, GER/MET
CN-001	GC-000X-0104	2	GO CT/BIKE CONSOLE, ENG/ENG+MET
CN-002	TKC-020X-0104	2	TRACK CT/BIKE CONSOLE, GER/MET
CN-002	TKC-000X-0104	2	TRACK CT/BIKE CONSOLE, ENG/ENG+MET

## Crank Related Components



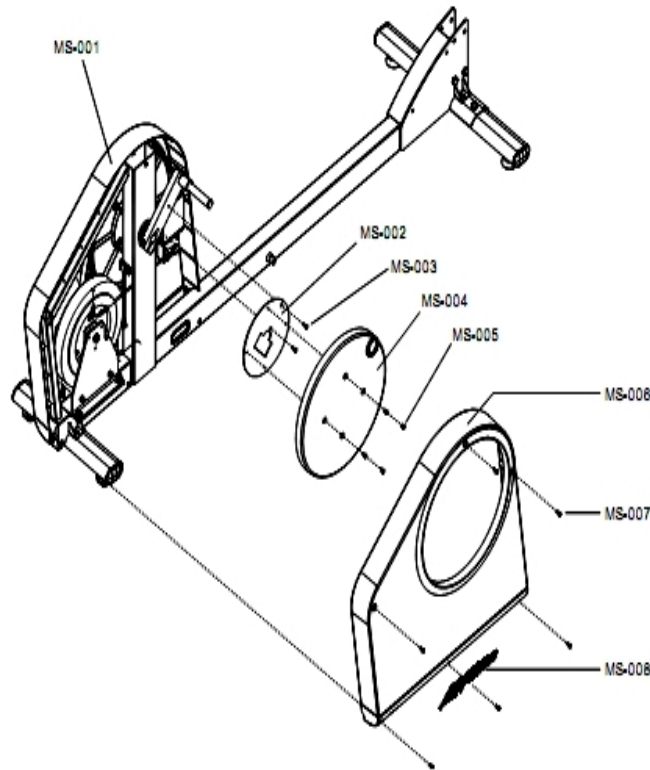
Ref #	Part Number	Qty	Description
CR-001	REX21NS	2	Hardware: Bolt, HEX HD. M8 X 1.25-60
CR-002	REX0JEJ	6	Ring, Retaining, 63/64
CR-003	REX218N	2	Pulley, Crank
CR-004	REX0J69	8	Hardware: Washer, Flat .6 X 13-1
CR-005	REX0KR3	8	Hardware: Nut, Lock M6 X 1, 6MM Thick
CR-006	3225301	4	Bearing, 12MM Ball
CR-007	REX2T9F	2	Belt Poly V J510
CR-008	REX2LL2	2	Weldment, Crank Arm
CR-009	REX22RP	2	Hardware: Nut, Nylock M8 X 1.25 X 6MM Thick
CR-010	REX01H5	2	Magnet Rexon
CR-011	REX2LL1	2	Weldment, Axle Crank
CR-012	REX21NT	8	Hardware: Bolt, HEX HD M6 X 1-20
CR-013	REX0JGQ	2	Crank Key

## Idler Coupler Assemblies



Ref #	Part Number	Qty	Description
ID-001	8586901	2	Service Assembly, Coupler Left X1 Right X3
ID-002	REX0JB7	2	Hardware: Wave Washer; 20.5MM X 26.7MM T = 0.25MM
ID-003	8587101	2	Service Assembly, Idler X1 X3
ID-004	REX2BKA	2	Bearing, Self-Align, 2202
ID-005	REX0JDZ	2	Ring, Retaining B-35
ID-006	REX0J4R	2	Hardware: Washer, 20MM OD X 10MM ID X 3MM Thick
ID-007	REX2DVG	2	Hardware: Bolt, HEX M10 X 1.5-20
ID-008	REX2RNR	2	Cap End, Idler
ID-009	REX0JEG	2	Ring: C-Ring, A-20
ID-010	REX2NDD	2	Hardware: Washer, Spacer
ID-011	REX0HVP	8	Bearing Ball 6004ZZ
ID-012	8587001	2	Service Assembly, Coupler Right X1 Left X3
ID-013	REX2RNP	4	Cap End Coupler
ID-014	REX2LJZ	2	Axle, Adj Link
ID-015	REX2MJK	2	Bolt, HEX Head M10 X 1.5-85

## Main Shrouds and Crank Covers



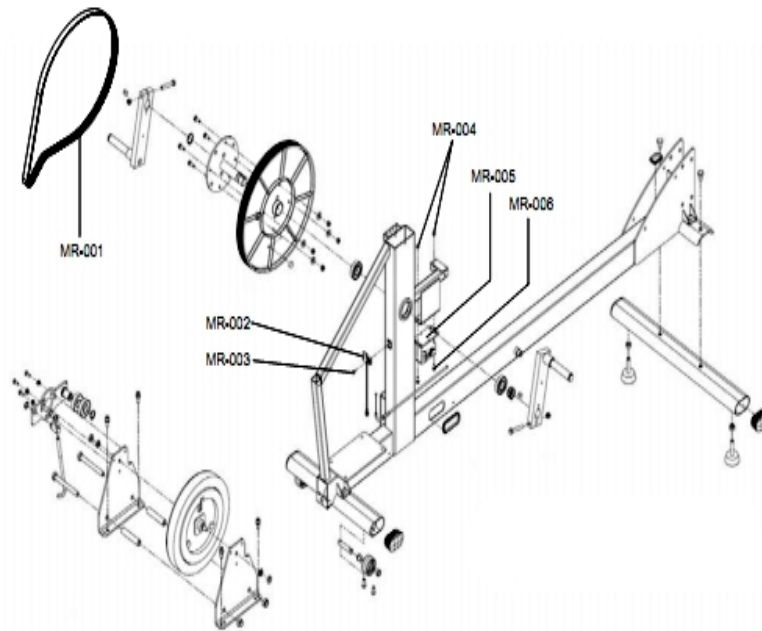
Ref #	Part Number	Qty	Description
MS-001	REX2RP5	2	Shroud Rear Left X1 X3
MS-002	REX2LRT	2	Plate; Crank
MS-003	REX0K5T	4	Hardware: Screw, PHI M5 X 0.8-10
MS-004	REX2RSA	2	Cover Crank
MS-005	REX2T9G	8	Hardware: Screw, PHI PAN M5X.8-8 Clear Zinc
MS-006	REX2RP4	2	Shroud Rear Right X1 X3
MS-007	REX2T9X	12	Hardware: Screw, PHI PAN M5X.8-12 Clear Zinc
MS-008	REX355G	4	LABEL, LIFEFITNESS LOGO

**Miscellaneous**

---

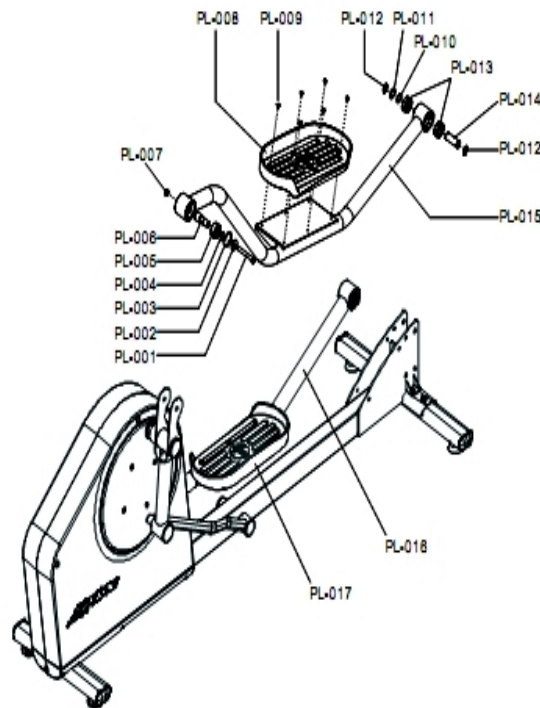
<b>Ref #</b>	<b>Part Number</b>	<b>Qty</b>	<b>Description</b>
TR-001	8974101	2	ASSY, TRANSFORMER, 100-240V, 9V, 4A, UK
TR-001	8974201	2	ASSY, TRANSFORMER, 100-240V, 9V, 4A, CONT
TR-001	8974401	2	ASSY, TRANSFORMER, 100-240V, 9V, 4A, BR
TR-001	8974001	2	ASSY, TRANSFORMER, 100-240V, 9V, 4A, DOM
TR-001	8974301	2	ASSY, TRANSFORMER, 100-240V, 9V, 4A, AUST

## Motor, Reed Switch and Cables



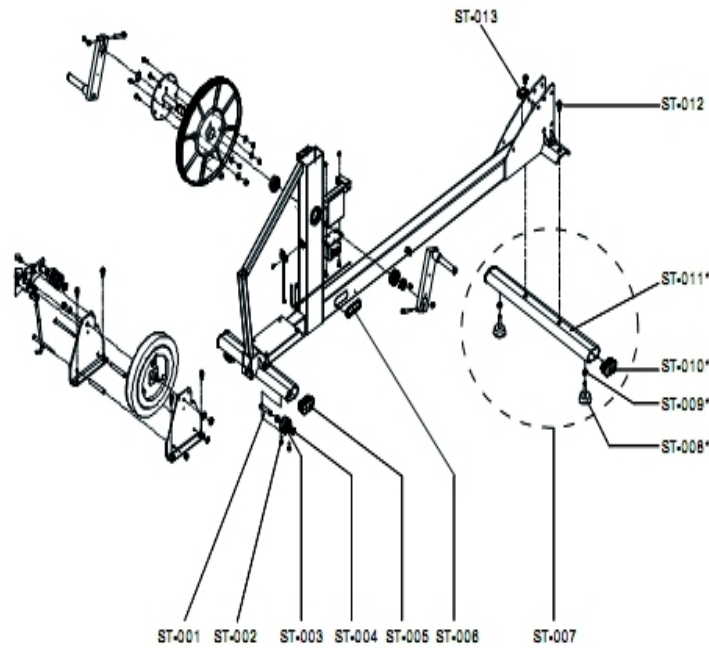
Ref #	Part Number	Qty	Description
MR-001	REX2T9F	2	Belt Poly V J510
MR-002	REX01J8	2	Switch, Reed, RPM Sensor
MR-003	REX0K28	2	Hardware: Cap Screw, M5 X 0.8-16
MR-004	REX0KMR	4	Hardware: Nut, M5 X 0.8, 4MM Thick
MR-005	REX01HL	2	Drive Motor, Pesistande DC
MR-006	REX0KEH	4	Hardware: Screw, Pan HD with Patch M5 X .8-16
MR-007	REX30GA	2	Cable Assembly, Upright
MR-008	REX2GHY	2	Cable, Cross-Trainer Base
MR-010	REX01QH	2	Cable, Brake Harness

## Pedal Lever Assemblies and Components



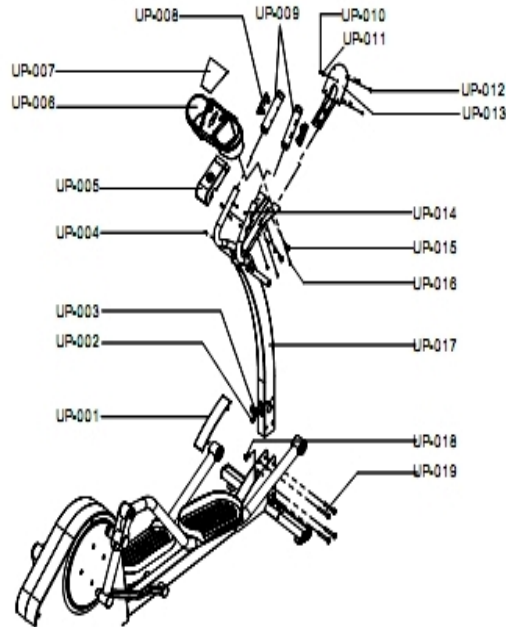
Ref #	Part Number	Qty	Description
PL-001	REX2T9E	2	Hardware: Bolt HEX M10X1.5-74 Black Zinc
PL-002	REX294S	2	Washer, 25MM OD X 10MM ID X 3MM Thick
PL-003	REX0JE0	2	Ring, Retaining B-40
PL-004	REX0JEE	2	Ring, Retaining A-17
PL-005	REX2BKB	2	Bearing, Self-Align, 2203
PL-006	REX2BAD	2	Shaft, Coupler Pedal Conn
PL-007	REX2T9D	2	Hardware: Nut HEX M10X1.5 Black Zinc
PL-008	REX2S1N	2	Pedal Right X1
PL-009	REX2T9W	12	Hardware: Screw, PHI TRUSS M5X.8-8
PL-010	REX0JB7	2	Hardware: Wave Washer; 20.5MM X 26.7MM T = 0.25MM
PL-011	REX2NDD	2	Hardware: Washer, Spacer
PL-012	REX0JEG	2	Ring: C-Ring, A-20
PL-013	REX0HVP	4	Bearing Ball 6004ZZ
PL-014	REX2LJZ	2	Axle, Adj Link
PL-015	8586801	2	Service Assembly, Pedal Assembly Right X1 X3
PL-016	8586701	2	Service Assembly, Pedal Assembly Left X1 X3
PL-017	REX2S1P	2	Pedal Left X1

## Stabilizer Components and Grommets



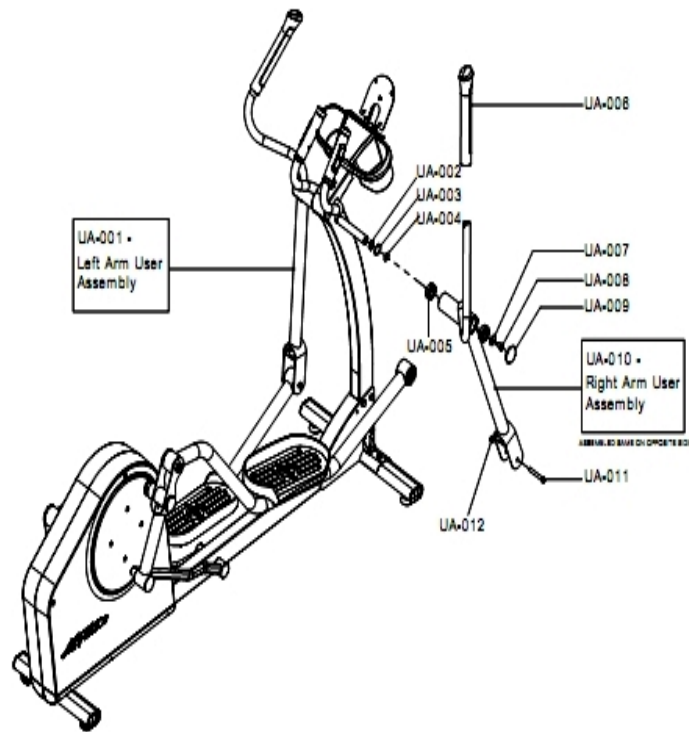
Ref #	Part Number	Qty	Description
ST-001	REX2S4Q	2	Axle Wheel Transport
ST-003	REX2S4R	2	Wheel Transport
ST-004	REX2LNW	8	Bushing, IGUS
ST-005,ST-010	REX2LRB	8	Stabilizer Endcap
ST-006	REX2T6K	2	Grommet 30MM X 70MM
ST-007	8593401	2	Service Assembly, Stabilizer X1
ST-008	REX2NFK	4	Leveler, Leg
ST-009	REX22RR	4	Hardware: Nut, Nylock M10 X 1.5-8
ST-011	REX2RNZ	2	Weldment, Stabilizer X1
ST-012	REX2TA3	4	Hardware: Bolt, HEX M10X1.5-16 Clear Zinc
ST-013	REX2LUH	2	Grommet, 38MM X 25MM

## Uprights and Related Components



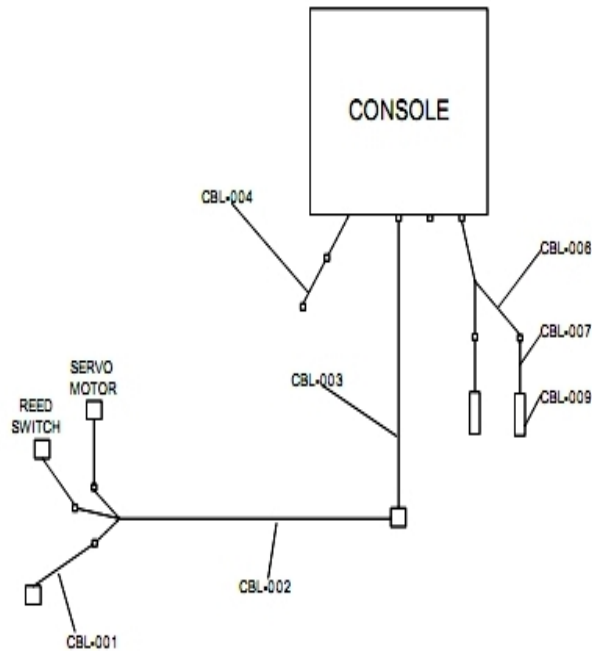
Ref #	Part Number	Qty	Description
UP-001	REX2S1L	2	Cover Upright Junction Lower
UP-002	REX21NN	2	Hardware: Nut, Insert M10 X 1.5
UP-003	REX2S4K	2	Grommet Upright X1
UP-004	REX0KDJ	8	Hardware: Screw, PHI 5MM*.8 X 12MM
UP-005	REX2S1K	2	Shroud: Cover Console Mast
UP-006	REX348Q	2	CUPHOLDER SDW
UP-007	REX2MX0	2	Decal: Label, X1 Accessory Tray
UP-008	REX2B92	4	Sensor, Heart Rate
UP-009	REX355D	4	GRIP STATIONARY HANDLEBAR X1
UP-009	REX2S5A	2	Wire Harness H/R Handlebar
UP-009	REX2LQH	2	Cable, Upper, HR Sensor To Console
UP-010	REX2D1X	2	Hardware: Screw, PHI PAN M5 X 0.8-6
UP-011	REX0JAF	2	Hardware: Star Washer
UP-011	REX3092	2	Cable Assembly, Ground
UP-012	REX2PHV	8	Hardware: Screw, PHI PAN M5X16-12
UP-013	REX2TCE	2	Weldment, Console Bracket
UP-014	REXDE08	2	NLA: SCREW, HR SENSOR MTG
UP-015	REX2P4Q	4	Hardware: Bolt, HEX M10 X 1.5-16
UP-016	REX0U7V	8	Hardware: Screw, PHI M4 X 16-16
UP-017	REX355F	2	WLDMT, UPRIGHT X1
UP-018	REX2DVG	2	Hardware: Bolt, HEX M10 X 1.5-20
UP-019	REX2PJ0	8	Hardware: Bolt HEX M10 X 1.5-70

## User Arm Assemblies and Components



Ref #	Part Number	Qty	Description
UA-001	8586501	2	Service Assembly, Rocker Left X3
UA-002	REX0JEJ	2	Ring, Retaining, 63/64
UA-003	REX22B3	2	Hardware: Washer, .26 X 35-.8
UA-004	REX0JBD	2	Hardware: Wave Washer; 25MM X 35MM
UA-005	3225301	8	Bearing, 12MM Ball
UA-006	REX2RP6	2	Grip, Moving Handlebar X3
UA-007	REX2MPQ	2	Hardware: Washer, 35MM OD X 10MM OD X 3MM Thick
UA-008	REX2DVG	2	Hardware: Bolt, HEX M10 X 1.5-20
UA-009	REX2RNQ	2	Cap End Rocker Pivot
UA-010	8586601	2	Service Assembly, Rocker Right X3
UA-011	REX2T9E	2	Hardware: Bolt HEX M10X1.5-74 Black Zinc
UA-012	REX2T9D	2	Hardware: Nut HEX M10X1.5 Black Zinc

# Wiring Diagram



Ref #	Part Number	Qty	Description
CBL-001	REX2K86	2	Cable, Cross-Trainer Motor-Transformer
CBL-002	REX2GHY	2	Cable, Cross-Trainer Base
CBL-003	REX30GA	2	Cable Assembly, Upright
CBL-004	REX3092	2	Cable Assembly, Ground
CBL-006	REX30GC	2	Cable Assembly, HR Sensor To Console
CBL-007	REX2S5A	2	Wire Harness H/R Handlebar
CBL-009	REX2B92	4	Sensor, Heart Rate
CBL-010	REX01HL	2	Drive Motor, Pesistande DC
CBL-011	REX01J8	2	Switch, Reed, RPM Sensor

