

X1 Cross-Trainer Base - 120/60 Domestic Cord

X1-XX00-0203

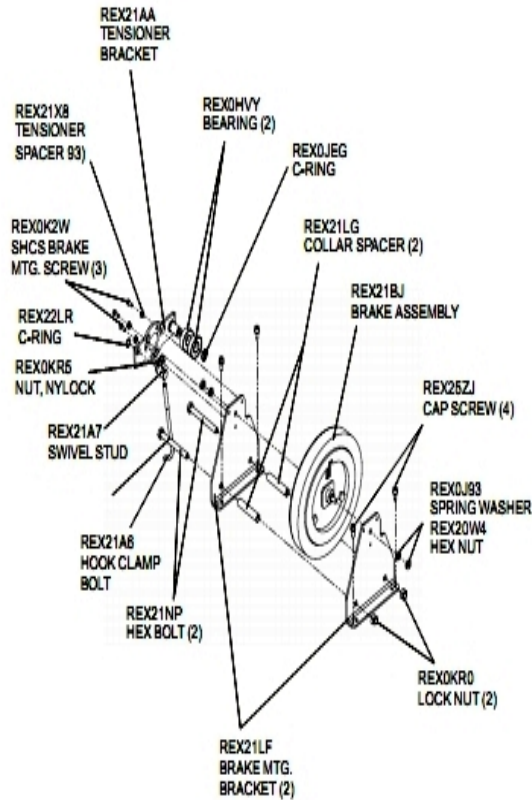
Parts Manual

1/5/2019 17:51:53 PM

Table of Contents

Brake and Tensioner.....	3
Consoles and Transformers.....	4
Crank Related Components.....	5
Idler and Coupler Assemblies.....	6
Main Shrouds and Crank Covers.....	7
Motor, Reed Switch and Cables.....	8
Pedal Lever Assemblies and Components.....	9
Stabilizer Components and Grommets.....	10
Upright and Related Components.....	11
User Arm Assemblies and Components.....	12

Brake and Tensioner

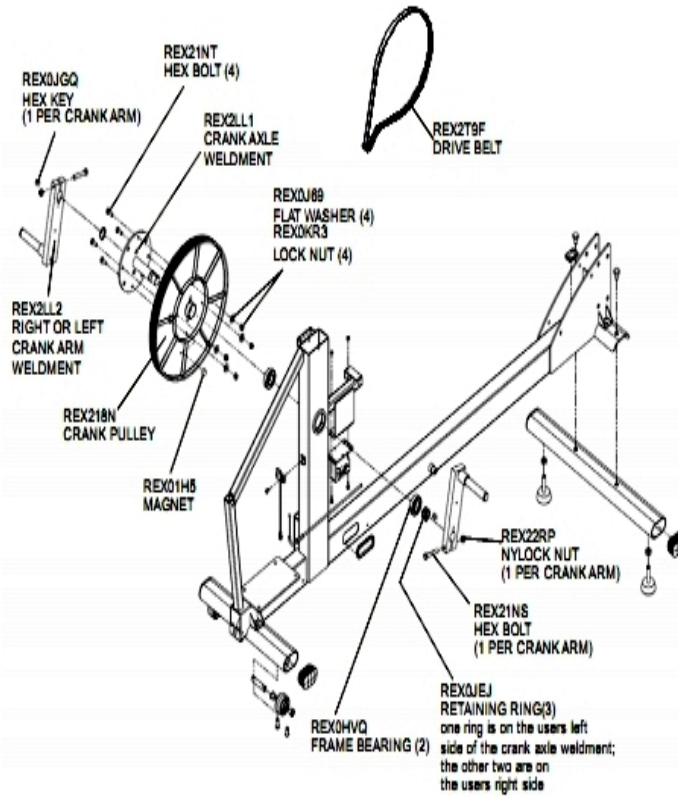


Ref #	Part Number	Qty	Description
-	REX0K2W	3	Hardware: Screw, SHCS Brake MTG
-	REX21A6	1	Hardware: Bolt, Hook Clamp
-	REX0J93	1	Hardware: Washer, Spring 1.0
-	REX21LF	2	Bracket, Brake MTG
-	REX21BJ	1	Brake, Assembly Eddy Current
-	REX21NP	2	Hardware: Bolt, HEX HD M12 X 1.75-110
-	REX0HVV	2	Bearing, Ball 6204ZZ
-	REX0JEG	1	Ring: C-Ring, A-20
-	REX22LR	1	Ring: C-Ring, A-16
-	REX21A7	1	Hardware: Stud, Swivel
-	REX0KR0	2	Hardware: Nut, Lock M12 X 1.75-12
-	REX20W4	1	Hardware: Nut, HEX M10 X 1.5-6
-	REX21X8	1	Spacer, Tensioner
-	REX25ZJ	4	Hardware: Cap Screw, M8 X 1.25-20
-	REX21AA	1	Bracket, Belt Tensioner
-	REX0KR5	1	Hardware: Nut, Nylock M10 X 1.5, 10M Thick
-	REX21LG	2	Spacer, Collar

Consoles and Transformers

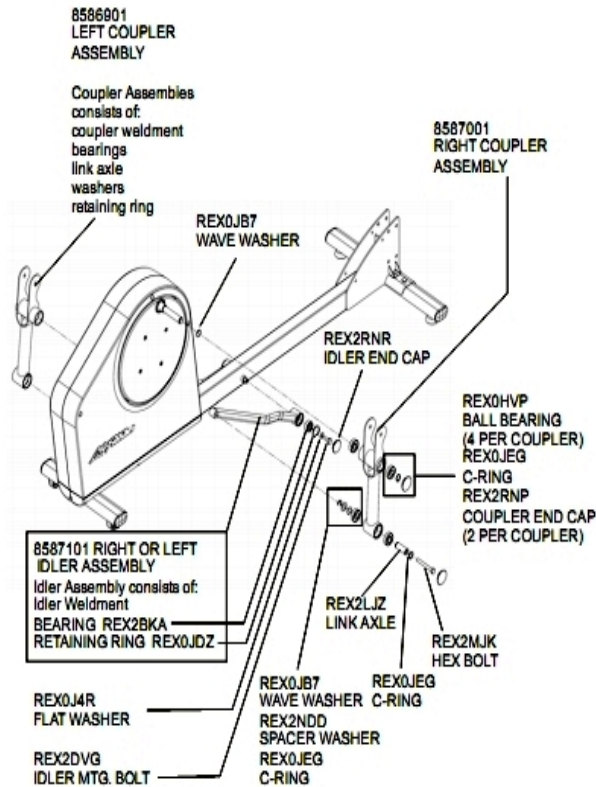
Ref #	Part Number	Qty	Description
-	8819801	1	Transformer, 100-240V, 9V, 1.5A, Domestic, W-Swite

Crank Related Components



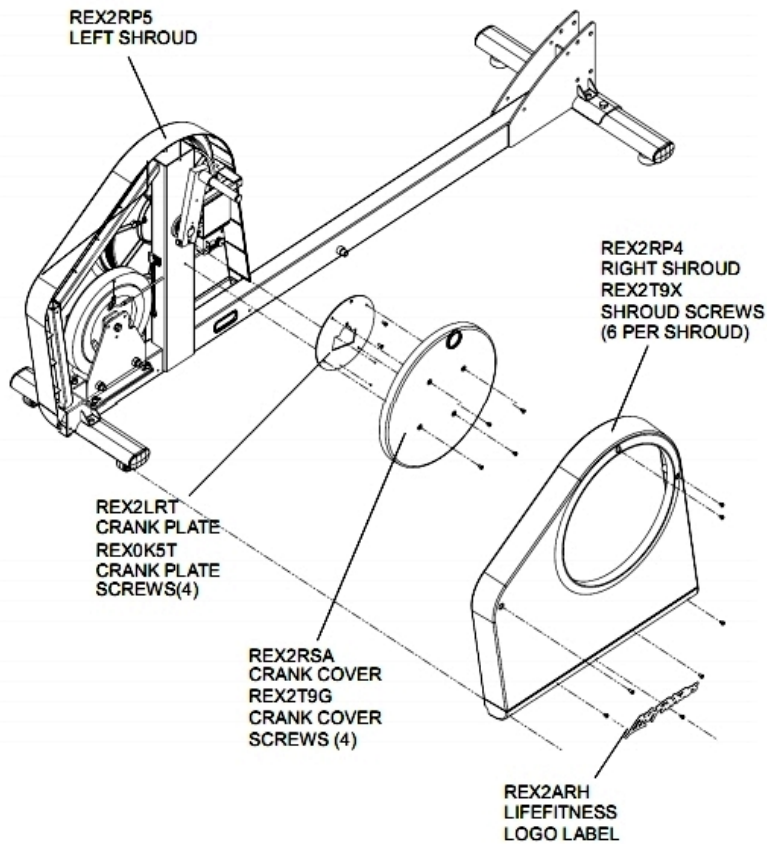
Ref #	Part Number	Qty	Description
-	REX0KR3	4	Hardware: Nut, Lock M6 X 1, 6MM Thick
-	REX21NS	2	Hardware: Bolt, HEX HD. M8 X 1.25-60
-	REX2LL1	1	Weldment, Axle Crank
-	REX22RP	2	Hardware: Nut, Nylock M8 X 1.25 X 6MM Thick
-	REX218N	1	Pulley, Crank
-	REX0JEJ	3	Ring, Retaining, 63/64
-	REX2T9F	1	Belt Poly V J510
-	REX0JGQ	2	Crank Key
-	REX21NT	4	Hardware: Bolt, HEX HD M6 X 1-20
-	REX2LL2	2	Weldment, Crank Arm
-	REX0J69	4	Hardware: Washer, Flat .6 X 13-1
-	3225301	2	Bearing, 12MM Ball
-	REX01H5	1	Magnet Rexion

Idler and Coupler Assemblies



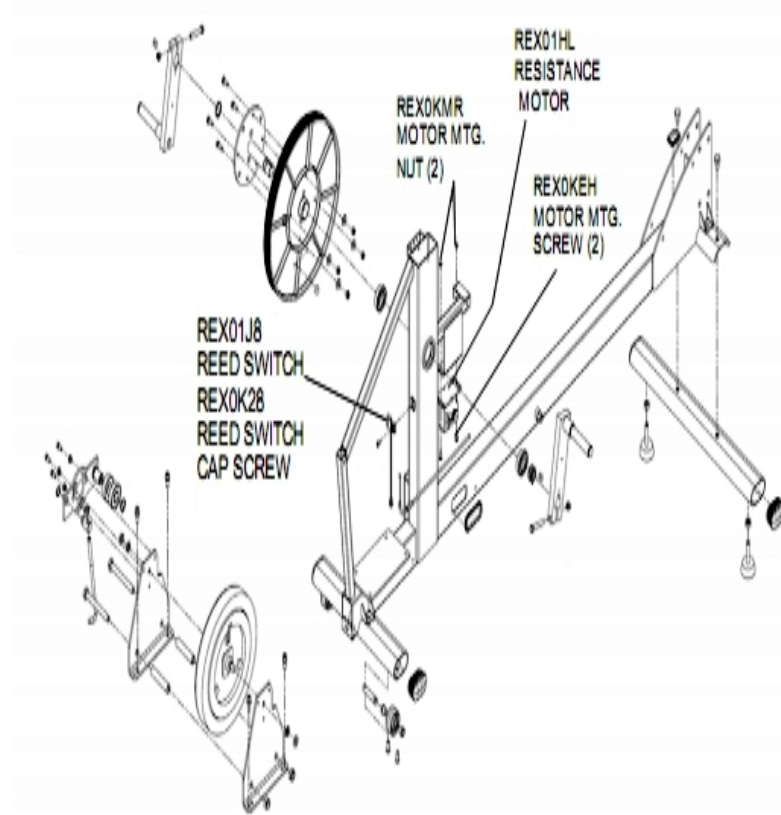
Ref #	Part Number	Qty	Description
-	REX2LJZ	2	Axle, Adj Link
-	REX2BKA	2	Bearing, Self-Align, 2202
-	8587101	2	Service Assembly, Idler X1 X3
-	REX0HVP	8	Bearing Ball 6004ZZ
-	REX2NDD	2	Hardware: Washer, Spacer
-	REX0JEG	6	Ring: C-Ring, A-20
-	8587001	1	Service Assembly, Coupler Right X1 Left X3
-	REX0J4R	2	Hardware: Washer, 20MM OD X 10MM ID X 3MM Thick
-	REX2MJK	2	Bolt, HEX Head M10 X 1.5-85
-	8586901	1	Service Assembly, Coupler Left X1 Right X3
-	REX2RNP	4	Cap End Coupler
-	REX0JB7	4	Hardware: Wave Washer; 20.5MM X 26.7MM T = 0.25MM
-	REX0JDZ	2	Ring, Retaining B-35
-	REX2DVG	2	Hardware: Bolt, HEX M10 X 1.5-20
-	REX2RNR	2	Cap End, Idler

Main Shrouds and Crank Covers



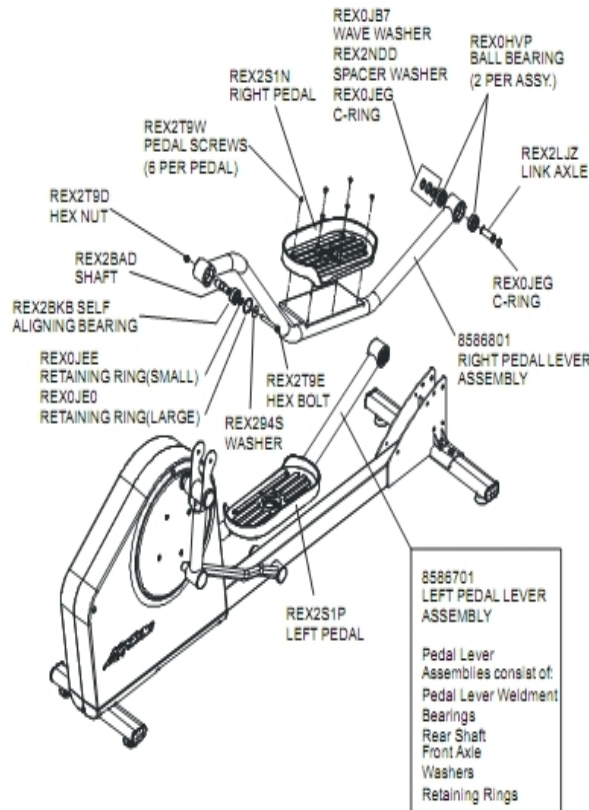
Ref #	Part Number	Qty	Description
-	REX2T9G	4	Hardware: Screw, PHI PAN M5X.8-8 Clear Zinc
-	REX0K5T	4	Hardware: Screw, PHI M5 X 0.8-10
-	REX2T9X	12	Hardware: Screw, PHI PAN M5X.8-12 Clear Zinc
-	REX2RSA	1	Cover Crank
-	REX2RP4	1	Shroud Rear Right X1 X3
-	REX2LRT	1	Plate; Crank
-	REX2RP5	1	Shroud Rear Left X1 X3
-	REX2ARH	2	Decal: Label, LifeFitness Logo

Motor, Reed Switch and Cables



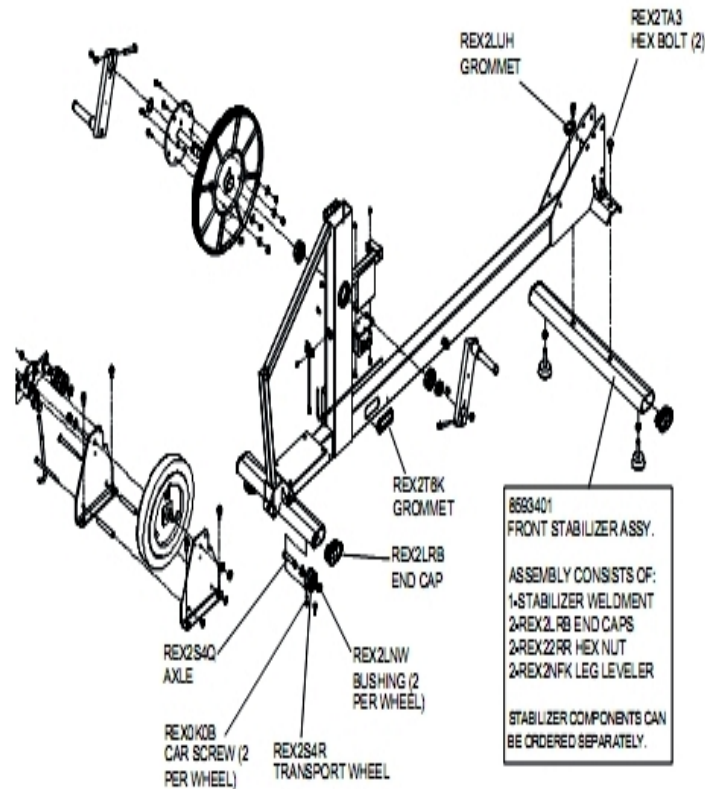
Ref #	Part Number	Qty	Description
-	REX0KEH	2	Hardware: Screw, Pan HD with Patch M5 X .8-16
-	REX2K86	1	Cable, Cross-Trainer Motor-Transformer
-	REX2T9F	1	Belt Poly V J510
-	REX0KMR	2	Hardware: Nut, M5 X 0.8, 4MM Thick
-	REX01QH	1	Cable, Brake Harness
-	REX01HL	1	Drive Motor, Pesistande DC
-	REX0K28	1	Hardware: Cap Screw, M5 X 0.8-16
-	REX01J8	1	Switch, Reed, RPM Sensor
-	REX2GHY	1	Cable, Cross-Trainer Base
-	REX2JTW	1	E-Cable: Lead Wire Assembly

Pedal Lever Assemblies and Components



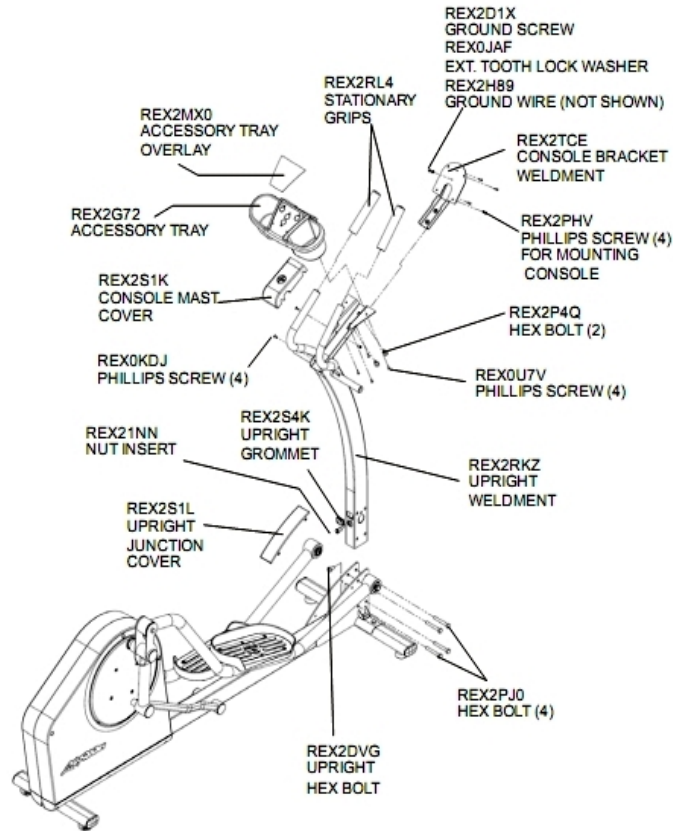
Ref #	Part Number	Qty	Description
-	8586701	1	Service Assembly, Pedal Assembly Left X1 X3
-	REX2S1N	1	Pedal Right X1
-	REX2T9D	2	Hardware: Nut HEX M10X1.5 Black Zinc
-	REX2T9E	2	Hardware: Bolt HEX M10X1.5-74 Black Zinc
-	REX2BAD	2	Shaft, Coupler Pedal Conn
-	REX2LJZ	2	Axle, Adj Link
-	REX2S1P	1	Pedal Left X1
-	REX2T9W	12	Hardware: Screw, PHI TRUSS M5X.8-8
-	REX0HVP	2	Bearing Ball 6004ZZ
-	REX2BKB	2	Bearing, Self-Align, 2203
-	REX2NDD	2	Hardware: Washer, Spacer
-	REX0JEG	4	Ring: C-Ring, A-20
-	REX0JEE	2	Ring, Retaining A-17
-	8586801	1	Service Assembly, Pedal Assembly Right X1 X3
-	REX294S	2	Washer, 25MM OD X 10MM ID X 3MM Thick
-	REX0JB7	2	Hardware: Wave Washer; 20.5MM X 26.7MM T = 0.25MM
-	REX0JE0	2	Ring, Retaining B-40

Stabilizer Components and Grommets



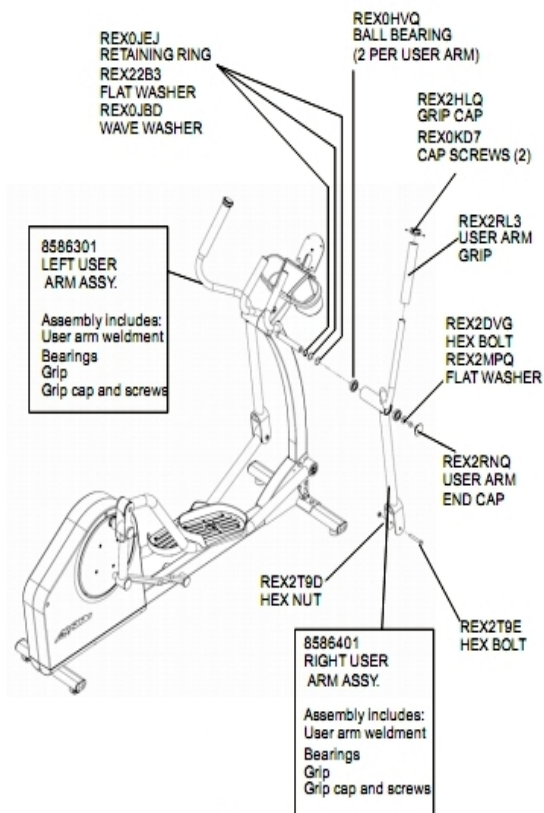
Ref #	Part Number	Qty	Description
-	REX2NFK	2	Leveler, Leg
-	REX22RR	2	Hardware: Nut, Nylock M10 X 1.5-8
-	REX2S4R	2	Wheel Transport
-	REX2TA3	2	Hardware: Bolt, HEX M10X1.5-16 Clear Zinc
-	REX2LUH	1	Grommet, 38MM X 25MM
-	8593401	1	Service Assembly, Stabilizer X1
-	REX2LRB	4	Stabilizer Endcap
-	REX2S4Q	2	Axle Wheel Transport
-	REX2LNW	4	Bushing, IGUS
-	REX2T6K	2	Grommet 30MM X 70MM

Upright and Related Components



Ref #	Part Number	Qty	Description
-	REX0U7V	4	Hardware: Screw, PHI M4 X 16-16
-	REX2S1L	1	Cover Upright Junction Lower
-	REX2PJ0	4	Hardware: Bolt HEX M10 X 1.5-70
-	REX2RKZ	1	Weldment, Upright X1
-	REX2TCE	1	Weldment, Console Bracket
-	REX2S4K	1	Grommet Upright X1
-	REX2S1K	1	Shroud: Cover Console Mast
-	REX2H89	1	Cable, Ground
-	REX0JAF	1	Hardware: Star Washer
-	REX0KDJ	4	Hardware: Screw, PHI 5MM*.8 X 12MM
-	REX2P4Q	2	Hardware: Bolt, HEX M10 X 1.5-16
-	REX2PHV	4	Hardware: Screw, PHI PAN M5X16-12
-	REX2D1X	1	Hardware: Screw, PHI PAN M5 X 0.8-6
-	REX2G72	1	Tray, Accessory
-	REX2MX0	1	Decal: Label, X1 Accessory Tray
-	REX2RL4	2	Grip Stationary Handlebar
-	REX2DVG	1	Hardware: Bolt, HEX M10 X 1.5-20
-	REX21NN	1	Hardware: Nut, Insert M10 X 1.5

User Arm Assemblies and Components



Ref #	Part Number	Qty	Description
-	3225301	4	Bearing, 12MM Ball
-	REX2MPQ	2	Hardware: Washer, 35MM OD X 10MM OD X 3MM Thick
-	REX2T9D	2	Hardware: Nut HEX M10X1.5 Black Zinc
-	REX2T9E	2	Hardware: Bolt HEX M10X1.5-74 Black Zinc
-	REX0KD7	4	Hardware: Screw, PHI PAN M4 X .7-10
-	8586601	1	Service Assembly, Rocker Right X3
-	REX0JEJ	2	Ring, Retaining, 63/64
-	REX22B3	2	Hardware: Washer, .26 X 35-.8
-	REX2RNQ	2	Cap End Rocker Pivot
-	REX0JBD	2	Hardware: Wave Washer; 25MM X 35MM
-	REX2DVG	2	Hardware: Bolt, HEX M10 X 1.5-20
-	REX2RL3	2	Grip Moving Handlebar
-	REX2HLQ	2	Cap, End Hand Grip
-	8586501	1	Service Assembly, Rocker Left X3

