

X1 Cross-Trainer Base - No Cord

X1-XX14-0303

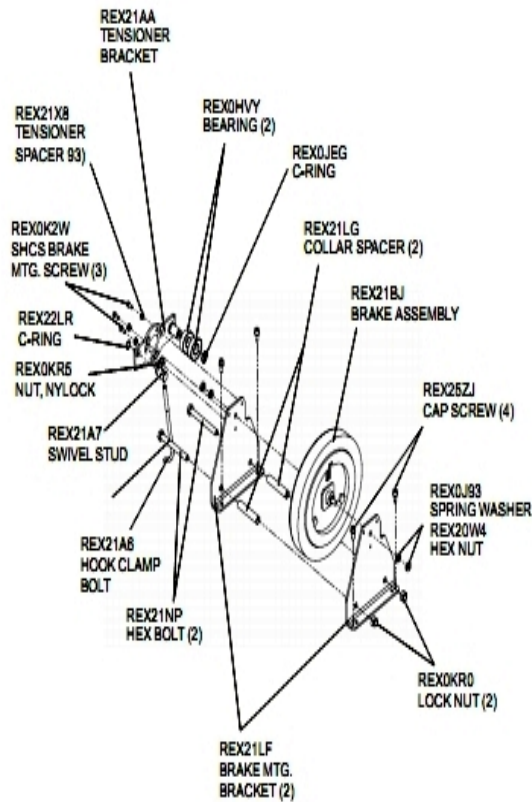
Parts Manual

1/5/2019 17:51:54 PM

Table of Contents

| | |
|--|--------------------|
| Brake and Tensioner Components..... | 3 |
| Consoles and Transformers..... | 4 |
| Crank Related Components..... | 5 |
| Idler Coupler Assemblies..... | 6 |
| Main Shrouds and Crank Covers..... | 7 |
| Motor, Reed Switch and Cables..... | 8 |
| Pedal Lever Assemblies and Components..... | 9 |
| Stabilizer Components and Grommets..... | 10 |
| Uprights and Related Components..... | 11 |
| User Arm Assemblies and Components..... | 12 |

Brake and Tensioner Components

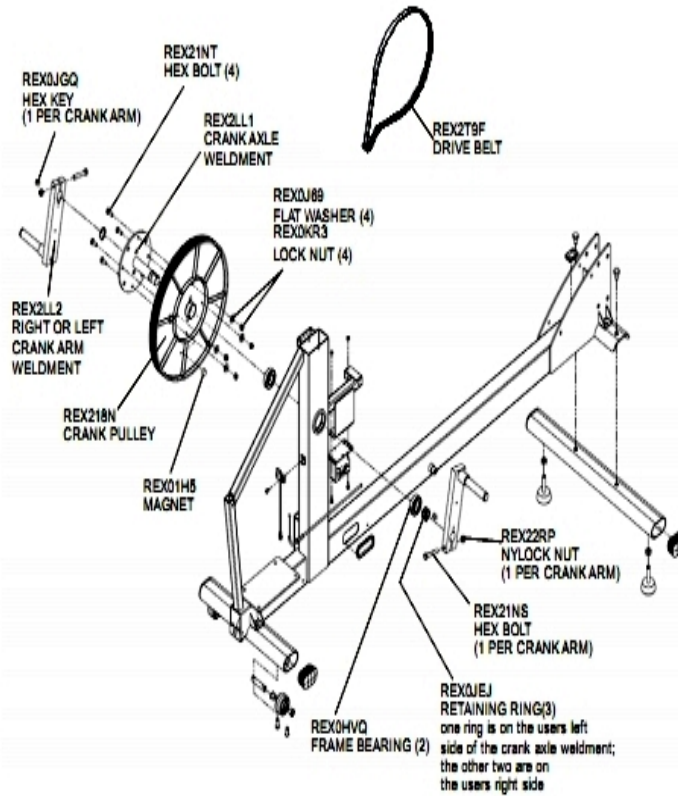


| Ref # | Part Number | Qty | Description |
|-------|-------------|-----|--|
| - | REX0KR5 | 1 | Hardware: Nut, Nylock M10 X 1.5, 10M Thick |
| - | REX0HVV | 2 | Bearing, Ball 6204ZZ |
| - | REX22LR | 1 | Ring: C-Ring, A-16 |
| - | REX0JEG | 1 | Ring: C-Ring, A-20 |
| - | REX21A7 | 1 | Hardware: Stud, Swivel |
| - | REX21A6 | 1 | Hardware: Bolt, Hook Clamp |
| - | REX21NP | 2 | Hardware: Bolt, HEX HD M12 X 1.75-110 |
| - | REX21BJ | 1 | Brake, Assembly Eddy Current |
| - | REX21LF | 2 | Bracket, Brake MTG |
| - | REX0J93 | 1 | Hardware: Washer, Spring 1.0 |
| - | REX21LG | 2 | Spacer, Collar |
| - | REX0K2W | 3 | Hardware: Screw, SHCS Brake MTG |
| - | REX21AA | 1 | Bracket, Belt Tensioner |
| - | REX25ZJ | 4 | Hardware: Cap Screw, M8 X 1.25-20 |
| - | REX21X8 | 1 | Spacer, Tensioner |
| - | REX20W4 | 1 | Hardware: Nut, HEX M10 X 1.5-6 |
| - | REX0KR0 | 2 | Hardware: Nut, Lock M12 X 1.75-12 |

Consoles and Transformers

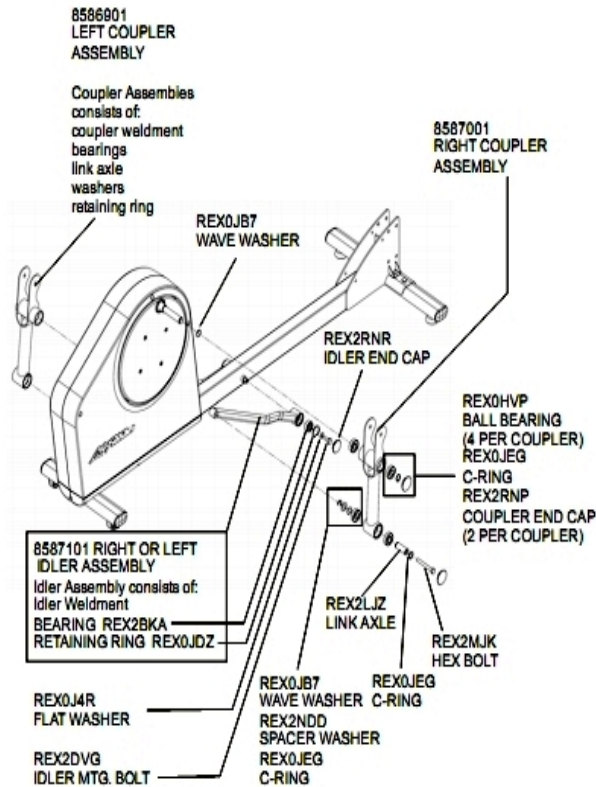
| Ref # | Part Number | Qty | Description |
|-------|-------------|-----|---|
| - | 8850501 | 1 | TRANSFORMER, 100-204V, 9V, 1.5A, AUST, W-SWITCH |

Crank Related Components



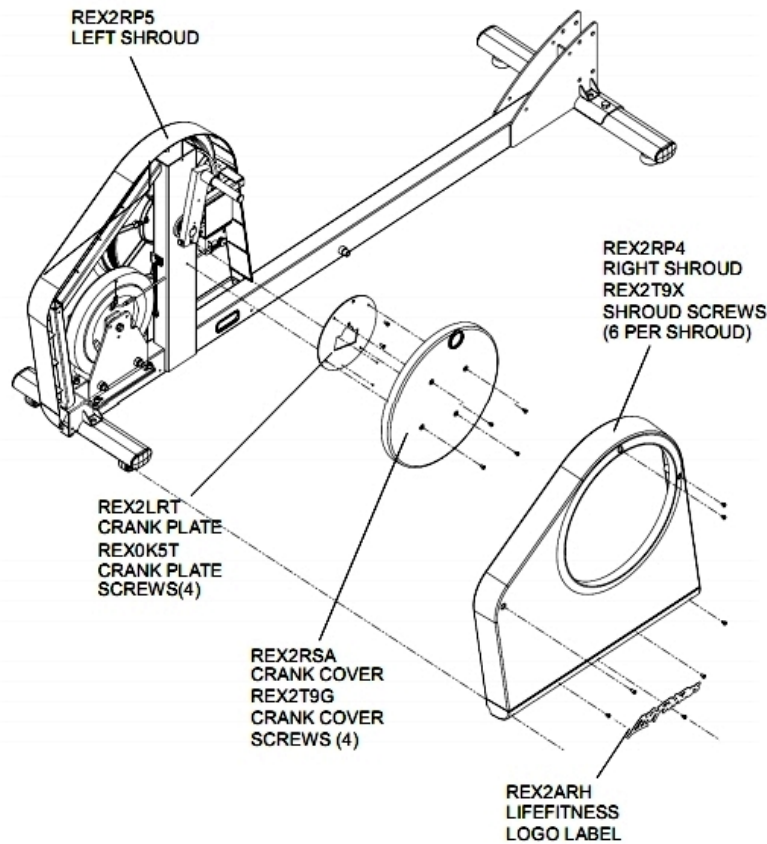
| Ref # | Part Number | Qty | Description |
|-------|-------------|-----|---|
| - | REX01H5 | 1 | Magnet Rexon |
| - | REX0JEJ | 3 | Ring, Retaining, 63/64 |
| - | REX2T9F | 1 | Belt Poly V J510 |
| - | REX22RP | 1 | Hardware: Nut, Nylock M8 X 1.25 X 6MM Thick |
| - | REX21NT | 4 | Hardware: Bolt, HEX HD M6 X 1-20 |
| - | REX21NS | 1 | Hardware: Bolt, HEX HD. M8 X 1.25-60 |
| - | REX0KR3 | 4 | Hardware: Nut, Lock M6 X 1, 6MM Thick |
| - | REX2LL1 | 1 | Weldment, Axle Crank |
| - | REX0J69 | 4 | Hardware: Washer, Flat .6 X 13-1 |
| - | REX0JGQ | 1 | Crank Key |
| - | REX218N | 1 | Pulley, Crank |
| - | REX2LL2 | 1 | Weldment, Crank Arm |
| - | 3225301 | 2 | Bearing, 12MM Ball |

Idler Coupler Assemblies



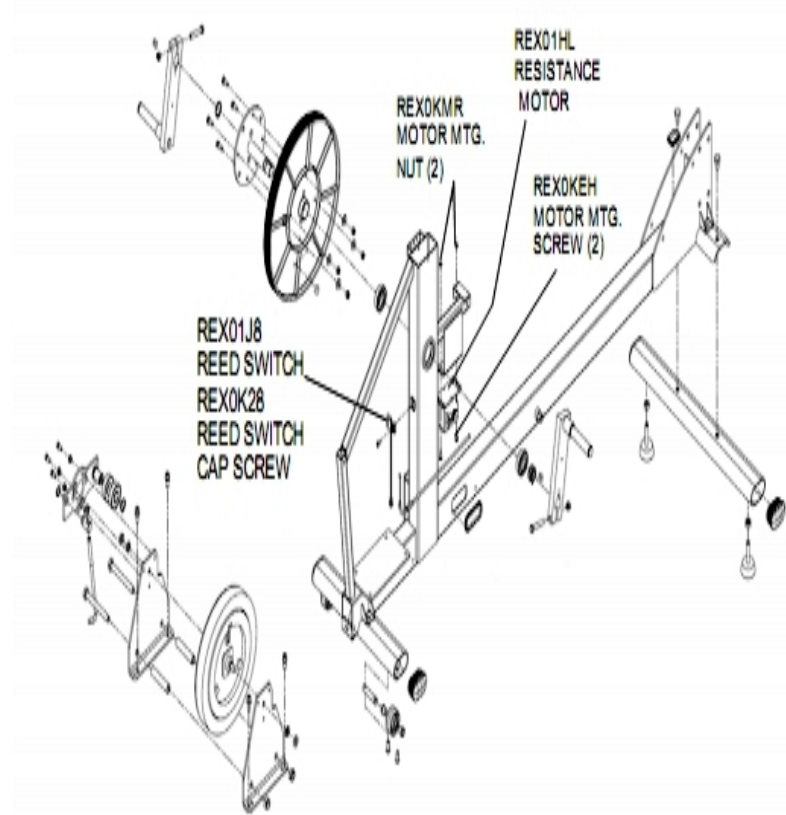
| Ref # | Part Number | Qty | Description |
|-------|-------------|-----|---|
| - | REX0JEG | 3 | Ring: C-Ring, A-20 |
| - | 8587001 | 1 | Service Assembly, Coupler Right X1 Left X3 |
| - | REX2BKA | 1 | Bearing, Self-Align, 2202 |
| - | REX2RNP | 2 | Cap End Coupler |
| - | REX2NDD | 1 | Hardware: Washer, Spacer |
| - | REX0HVP | 4 | Bearing Ball 6004ZZ |
| - | REX2DVG | 1 | Hardware: Bolt, HEX M10 X 1.5-20 |
| - | REX2RNR | 1 | Cap End, Idler |
| - | 8587101 | 1 | Service Assembly, Idler X1 X3 |
| - | REX0JB7 | 2 | Hardware: Wave Washer; 20.5MM X 26.7MM T = 0.25MM |
| - | REX0JDZ | 1 | Ring, Retaining B-35 |
| - | REX2LJZ | 1 | Axle, Adj Link |
| - | REX2MJK | 1 | Bolt, HEX Head M10 X 1.5-85 |
| - | REX0J4R | 1 | Hardware: Washer, 20MM OD X 10MM ID X 3MM Thick |
| - | 8586901 | 1 | Service Assembly, Coupler Left X1 Right X3 |

Main Shrouds and Crank Covers



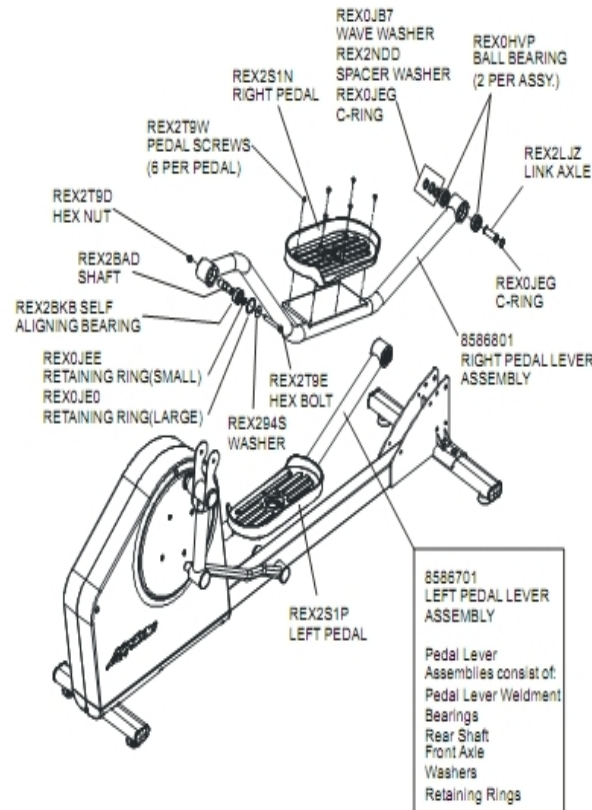
| Ref # | Part Number | Qty | Description |
|-------|-------------|-----|--|
| - | REX2RSA | 1 | Cover Crank |
| - | REX2RP4 | 1 | Shroud Rear Right X1 X3 |
| - | REX2T9X | 1 | Hardware: Screw, PHI PAN M5X.8-12 Clear Zinc |
| - | REX2T9G | 4 | Hardware: Screw, PHI PAN M5X.8-8 Clear Zinc |
| - | REX2LRT | 1 | Plate; Crank |
| - | REX2ARH | 1 | Decal: Label, LifeFitness Logo |
| - | REX0K5T | 4 | Hardware: Screw, PHI M5 X 0.8-10 |
| - | REX2RP5 | 1 | Shroud Rear Left X1 X3 |

Motor, Reed Switch and Cables



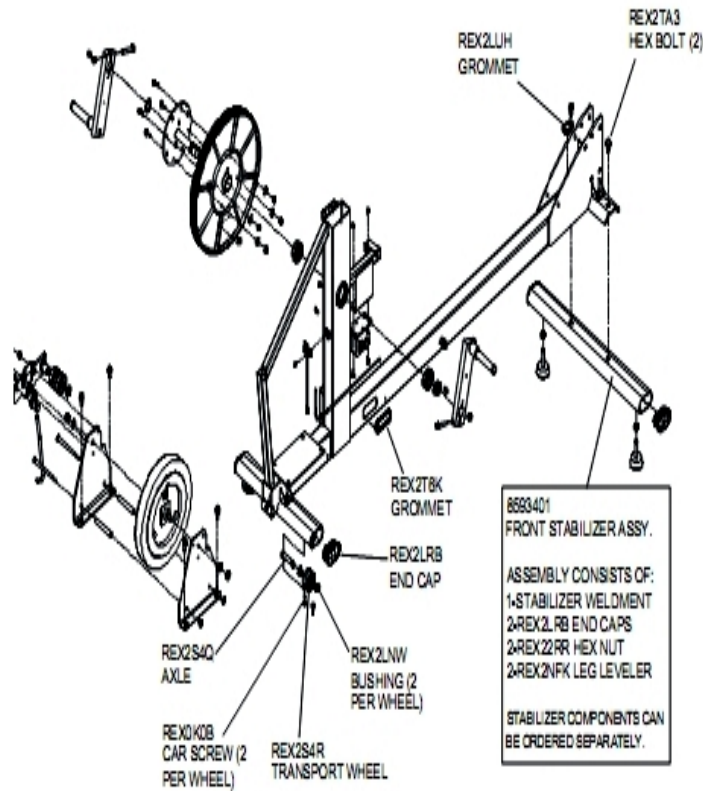
| Ref # | Part Number | Qty | Description |
|-------|-------------|-----|---|
| - | REX2K86 | 1 | Cable, Cross-Trainer Motor-Transformer |
| - | REX0KEH | 2 | Hardware: Screw, Pan HD with Patch M5 X .8-16 |
| - | REX2T9F | 1 | Belt Poly V J510 |
| - | REX0KMR | 2 | Hardware: Nut, M5 X 0.8, 4MM Thick |
| - | REX0K28 | 1 | Hardware: Cap Screw, M5 X 0.8-16 |
| - | REX01HL | 1 | Drive Motor, Pesistande DC |
| - | REX30GA | 1 | Cable Assembly, Upright |
| - | REX2GHY | 1 | Cable, Cross-Trainer Base |
| - | REX01J8 | 1 | Switch, Reed, RPM Sensor |
| - | REX01QH | 1 | Cable, Brake Harness |

Pedal Lever Assemblies and Components



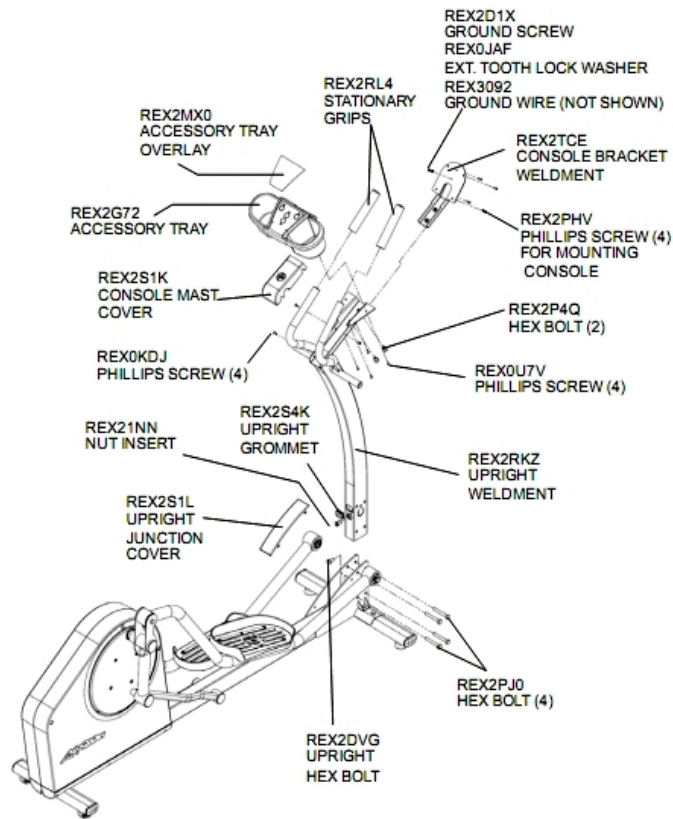
| Ref # | Part Number | Qty | Description |
|-------|-------------|-----|---|
| - | 8586701 | 1 | Service Assembly, Pedal Assembly Left X1 X3 |
| - | REX0JE0 | 1 | Ring, Retaining B-40 |
| - | REX2T9D | 1 | Hardware: Nut HEX M10X1.5 Black Zinc |
| - | REX2T9E | 1 | Hardware: Bolt HEX M10X1.5-74 Black Zinc |
| - | REX2BAD | 1 | Shaft, Coupler Pedal Conn |
| - | REX2LJZ | 1 | Axle, Adj Link |
| - | REX2S1P | 1 | Pedal Left X1 |
| - | REX2T9W | 6 | Hardware: Screw, PHI TRUSS M5X.8-8 |
| - | REX0HVP | 2 | Bearing Ball 6004ZZ |
| - | REX2BKB | 1 | Bearing, Self-Align, 2203 |
| - | REX2NDD | 1 | Hardware: Washer, Spacer |
| - | REX0JEE | 1 | Ring, Retaining A-17 |
| - | 8586801 | 1 | Service Assembly, Pedal Assembly Right X1 X3 |
| - | REX2B4S | 1 | Washer, 25MM OD X 10MM ID X 3MM Thick |
| - | REX0JEG | 2 | Ring: C-Ring, A-20 |
| - | REX0JB7 | 1 | Hardware: Wave Washer; 20.5MM X 26.7MM T = 0.25MM |
| - | REX2S1N | 1 | Pedal Right X1 |

Stabilizer Components and Grommets



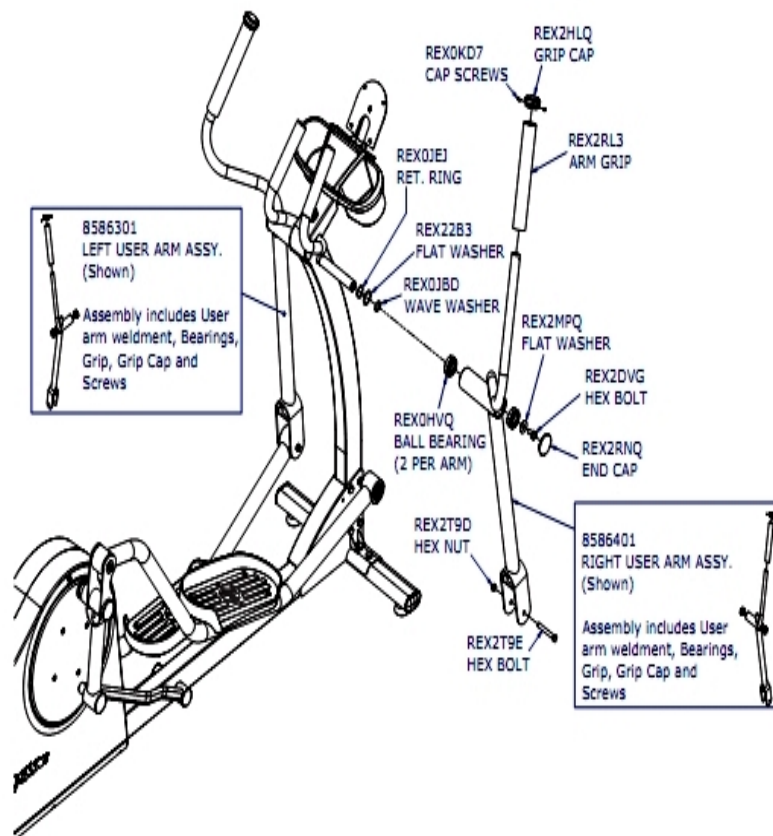
| Ref # | Part Number | Qty | Description |
|-------|-------------|-----|---|
| - | REX2S4R | 1 | Wheel Transport |
| - | REX2LNW | 2 | Bushing, IGUS |
| - | REX2NFK | 1 | Leveler, Leg |
| - | REX2TA3 | 2 | Hardware: Bolt, HEX M10X1.5-16 Clear Zinc |
| - | REX2T6K | 1 | Grommet 30MM X 70MM |
| - | REX2S4Q | 1 | Axle Wheel Transport |
| - | REX2LRB | 2 | Stabilizer Endcap |
| - | 8593401 | 1 | Service Assembly, Stabilizer X1 |
| - | REX22RR | 1 | Hardware: Nut, Nylock M10 X 1.5-8 |
| - | REX2LUH | 1 | Grommet, 38MM X 25MM |

Uprights and Related Components



| Ref # | Part Number | Qty | Description |
|-------|-------------|-----|-------------------------------------|
| - | REX2D1X | 1 | Hardware: Screw, PHI PAN M5 X 0.8-6 |
| - | REX0U7V | 4 | Hardware: Screw, PHI M4 X 16-16 |
| - | REX2S1K | 1 | Shroud: Cover Console Mast |
| - | REX0JAF | 1 | Hardware: Star Washer |
| - | REX0KDJ | 4 | Hardware: Screw, PHI 5MM*.8 X 12MM |
| - | REX2P4Q | 2 | Hardware: Bolt, HEX M10 X 1.5-16 |
| - | REX2PHV | 4 | Hardware: Screw, PHI PAN M5X16-12 |
| - | REX2G72 | 1 | Tray, Accessory |
| - | REX2MX0 | 1 | Decal: Label, X1 Accessory Tray |
| - | REX2RL4 | 1 | Grip Stationary Handlebar |
| - | REX21NN | 1 | Hardware: Nut, Insert M10 X 1.5 |
| - | REX3092 | 1 | Cable Assembly, Ground |
| - | REX2PJ0 | 4 | Hardware: Bolt HEX M10 X 1.5-70 |
| - | REX2RKZ | 1 | Weldment, Upright X1 |
| - | REX2DVG | 1 | Hardware: Bolt, HEX M10 X 1.5-20 |
| - | REX2S1L | 1 | Cover Upright Junction Lower |
| - | REX2S4K | 1 | Grommet Upright X1 |
| - | REX2TCE | 1 | Weldment, Console Bracket |

User Arm Assemblies and Components



| Ref # | Part Number | Qty | Description |
|-------|-------------|-----|---|
| - | REX2DVG | 1 | Hardware: Bolt, HEX M10 X 1.5-20 |
| - | REX0JBD | 1 | Hardware: Wave Washer; 25MM X 35MM |
| - | 8586401 | 1 | Service Assembly, Rocker Right X1 |
| - | REX2HLQ | 1 | Cap, End Hand Grip |
| - | 8586501 | 1 | Service Assembly, Rocker Left X3 |
| - | REX2RNQ | 1 | Cap End Rocker Pivot |
| - | REX2RP6 | 1 | Grip, Moving Handlebar X3 |
| - | REX22B3 | 1 | Hardware: Washer, .26 X 35-.8 |
| - | REX0JEJ | 1 | Ring, Retaining, 63/64 |
| - | 8586601 | 1 | Service Assembly, Rocker Right X3 |
| - | REX0KD7 | 1 | Hardware: Screw, PHI PAN M4 X .7-10 |
| - | 3225301 | 2 | Bearing, 12MM Ball |
| - | REX2T9E | 1 | Hardware: Bolt HEX M10X1.5-74 Black Zinc |
| - | REX2T9D | 1 | Hardware: Nut HEX M10X1.5 Black Zinc |
| - | REX2MPQ | 1 | Hardware: Washer, 35MM OD X 10MM OD X 3MM Thick |
| - | REX2RL3 | 1 | Grip Moving Handlebar |
| - | 8586301 | 1 | Service Assembly, Rocker Left X1 |

