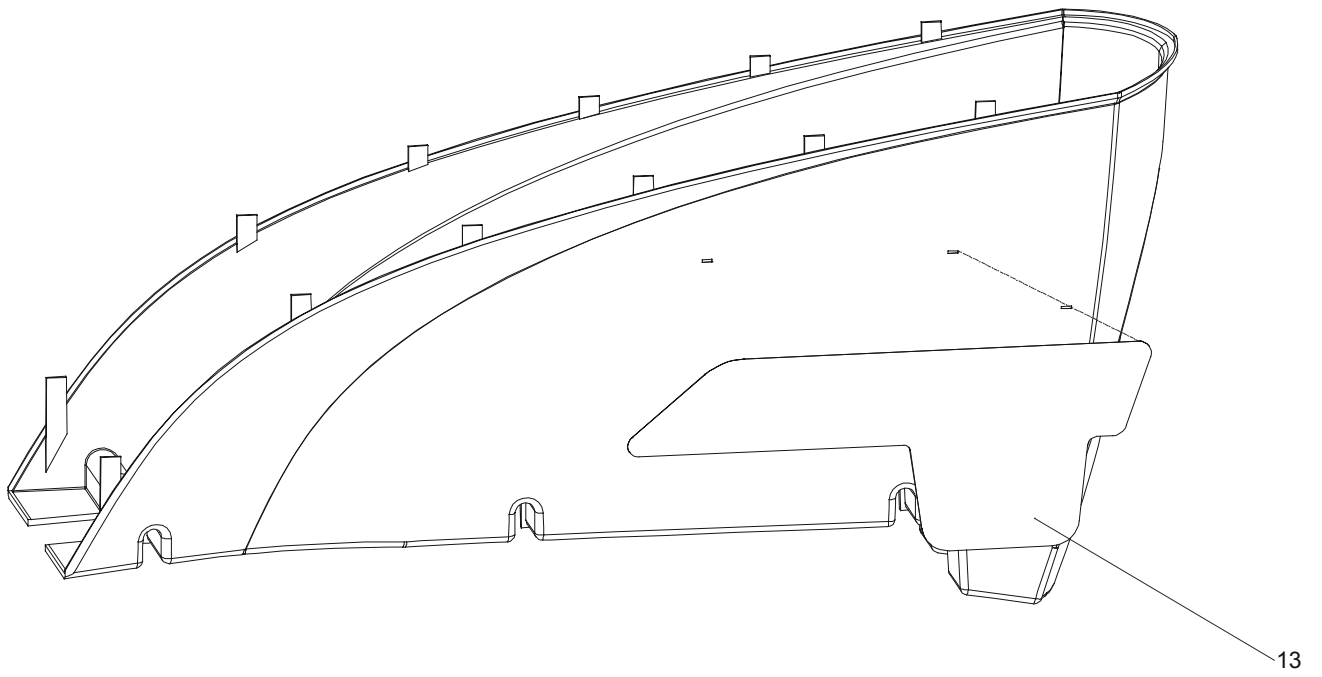
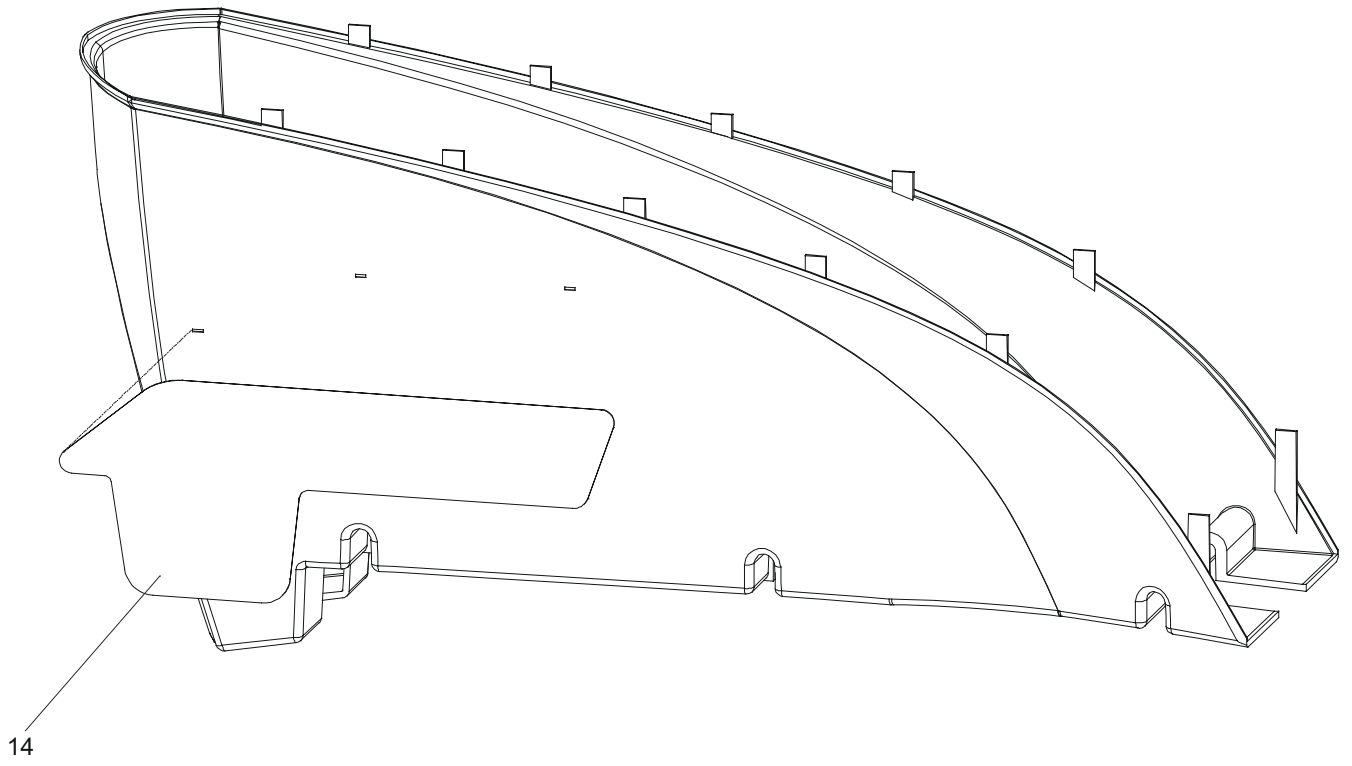
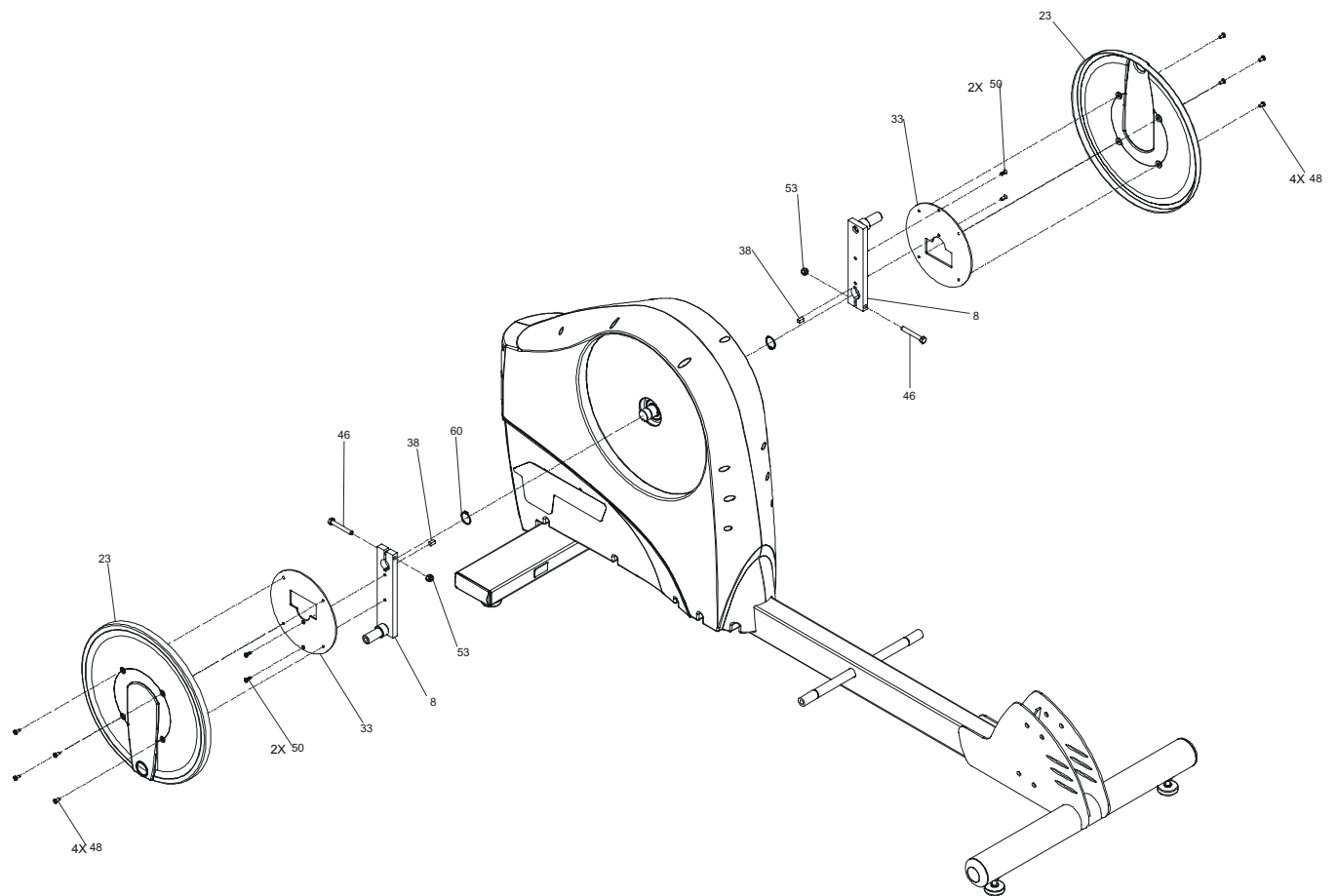
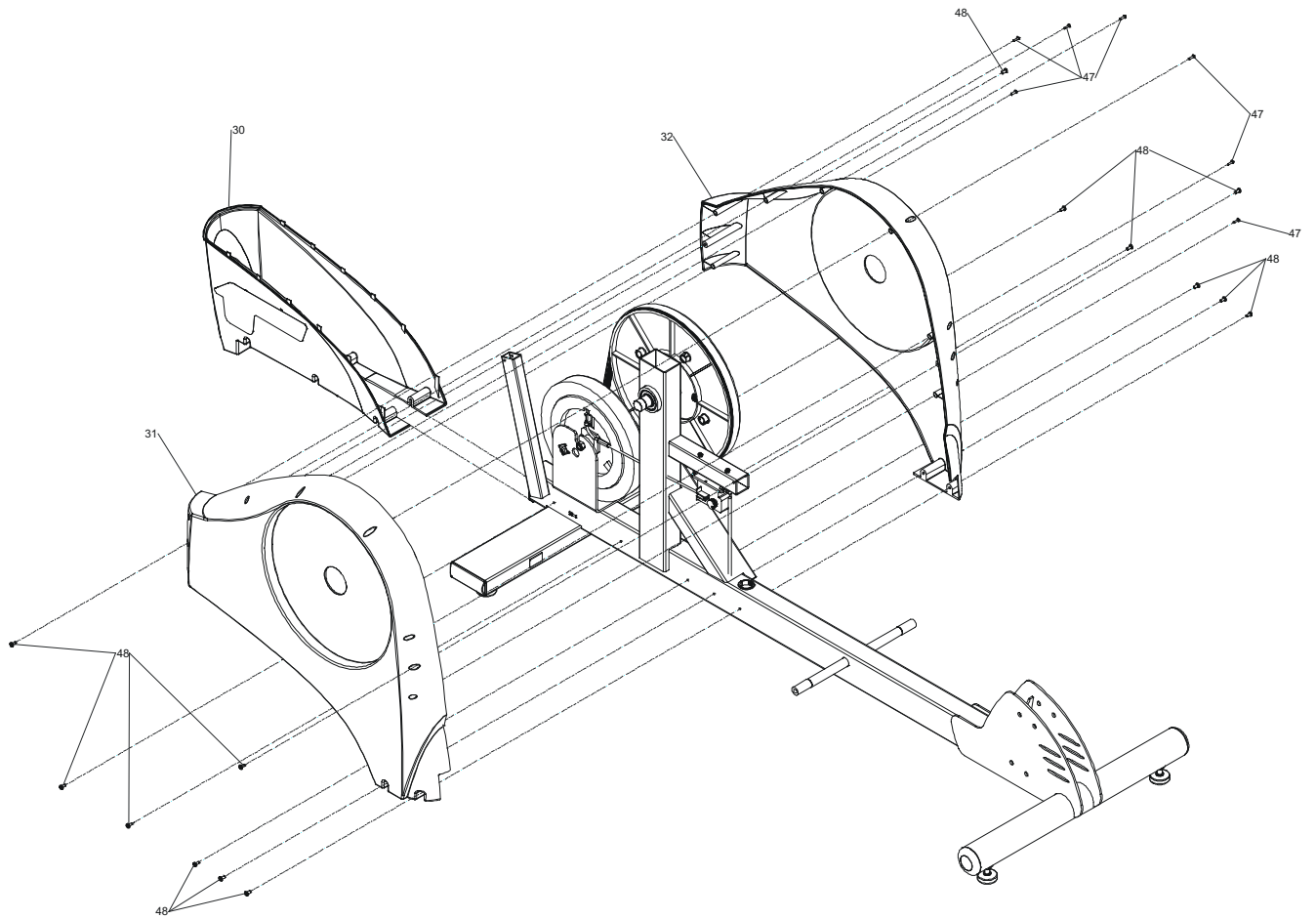
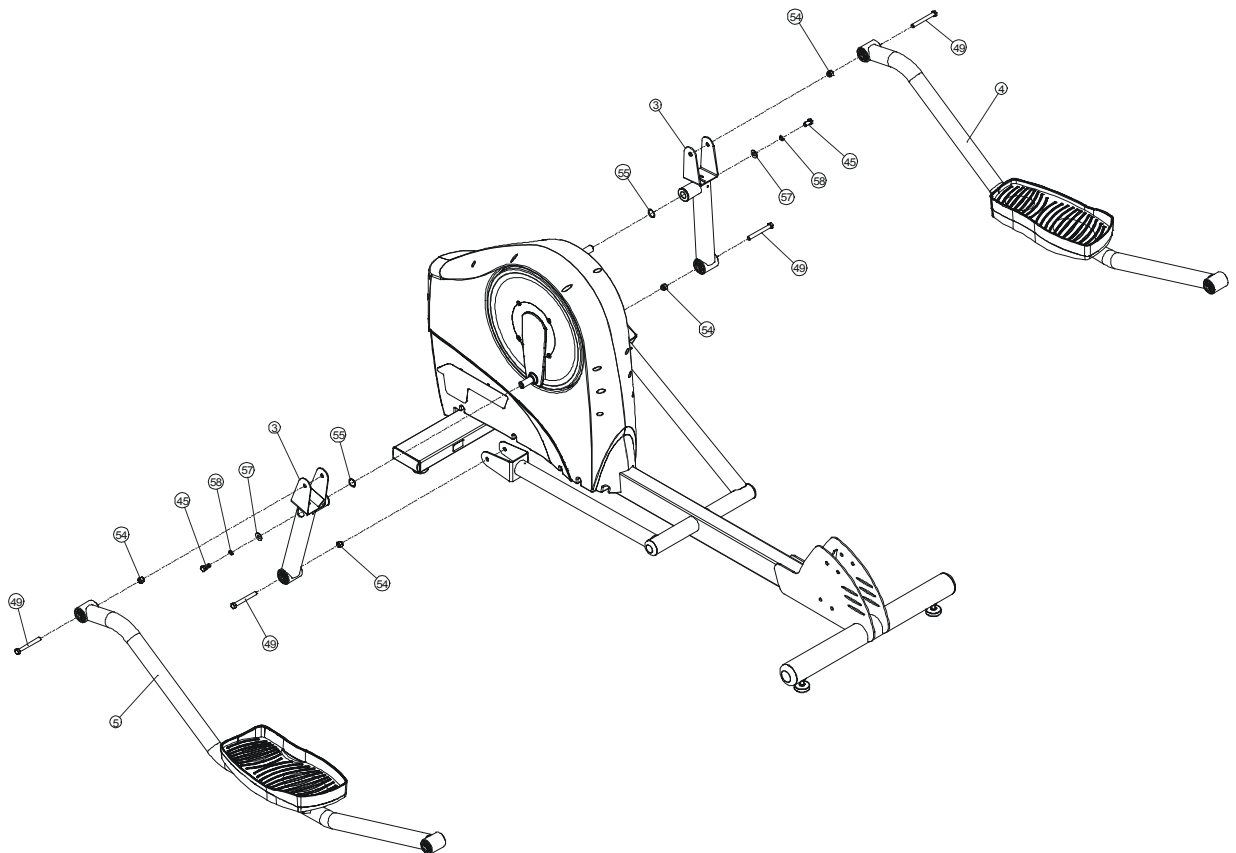
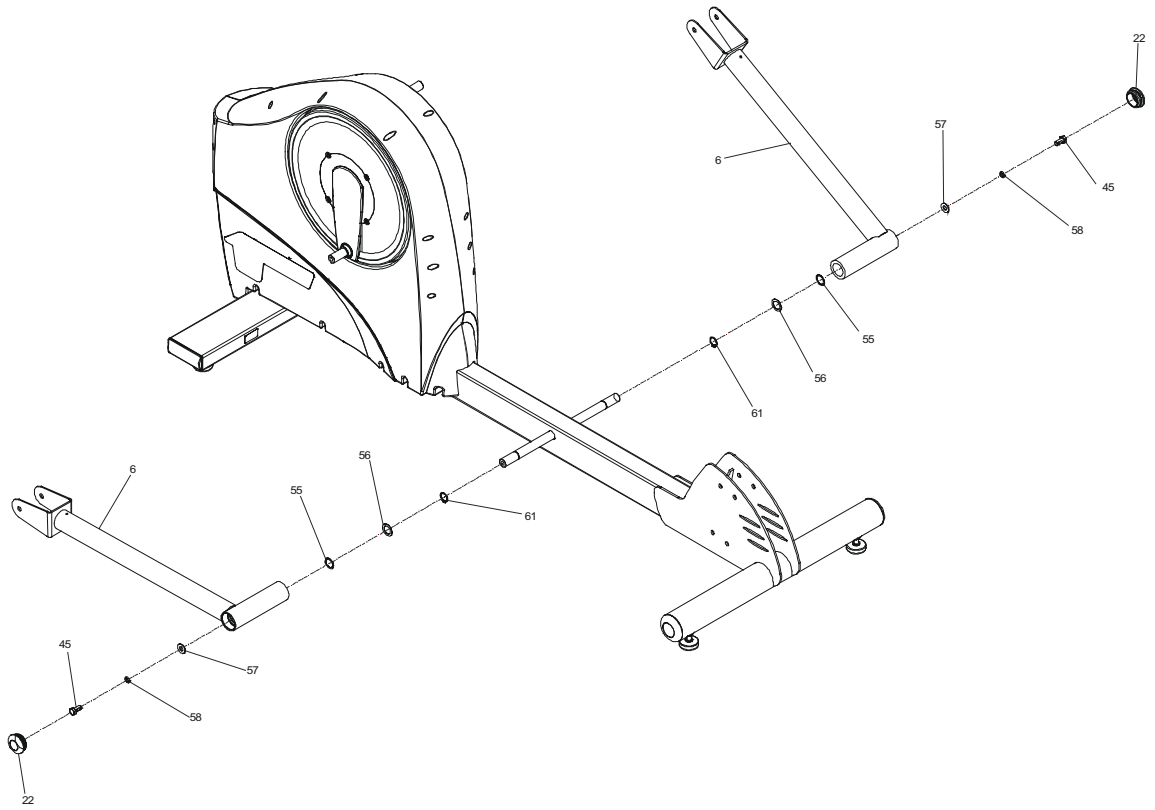
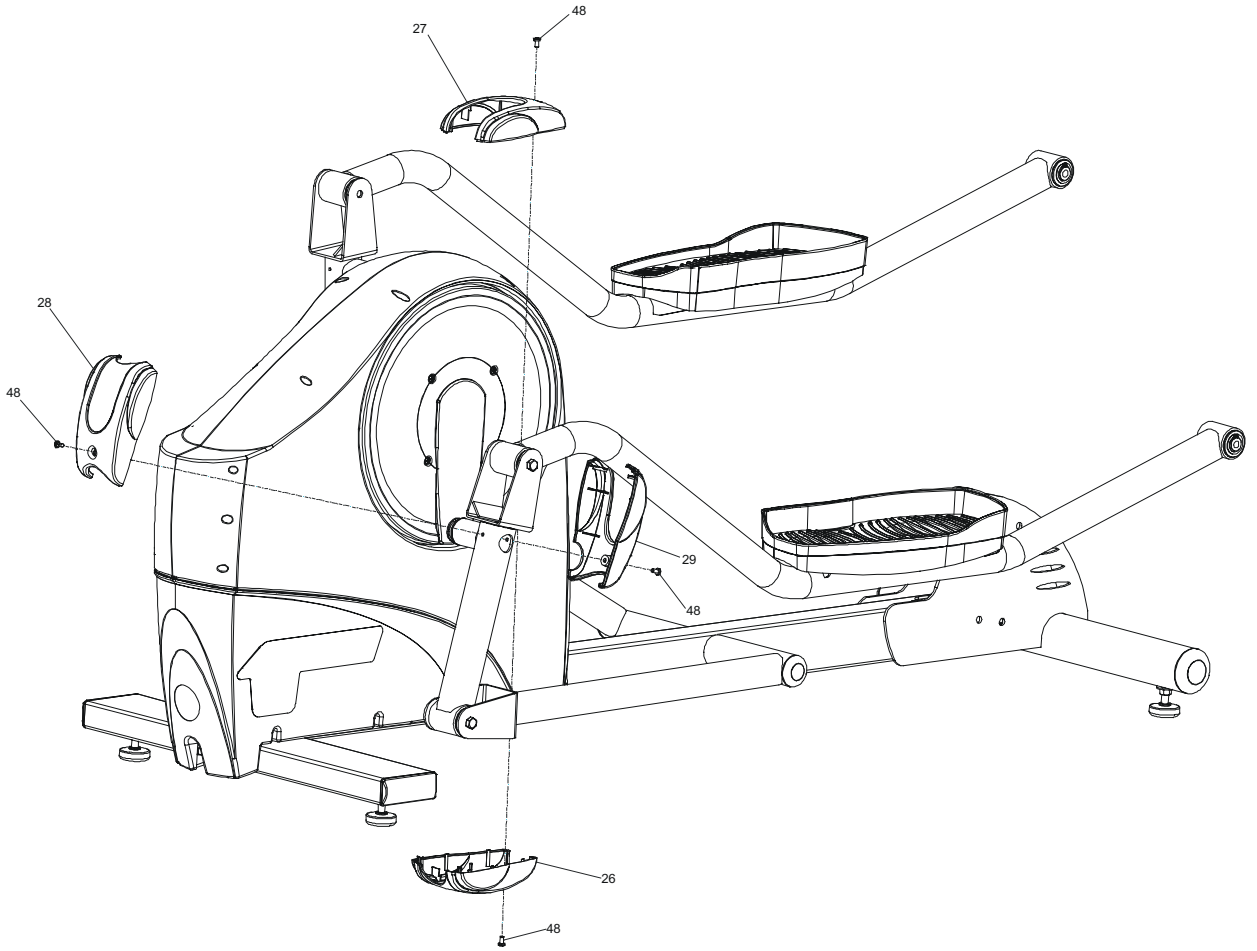


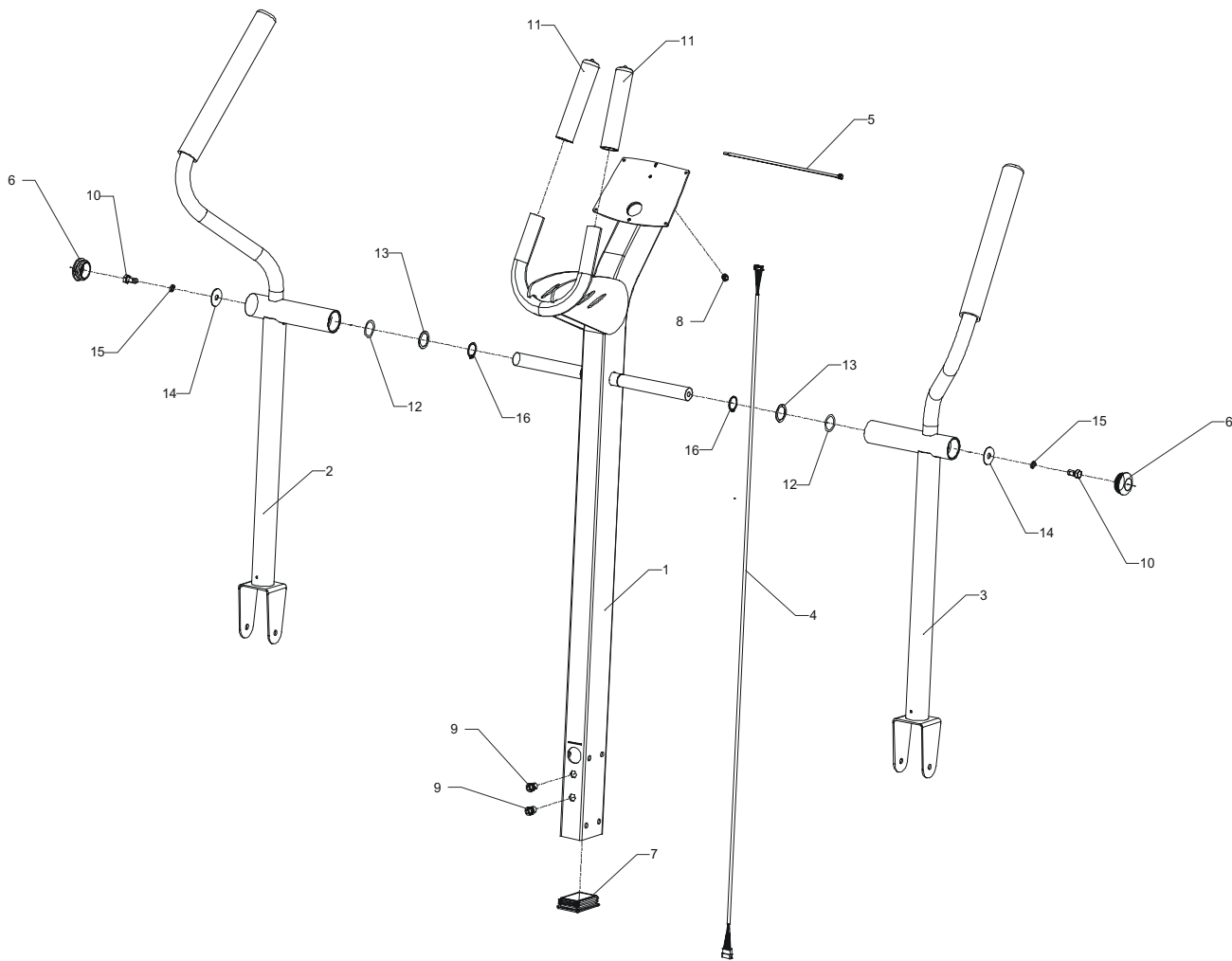
WASHERS (ITEM 57) ARE TO BE PLACED ON THE INSIDE OF THE FLYWHEEL BRACKET AND NOT ON THE OUTSIDE UNDER THE NUT.











****Bill for this drawing****

Item	Description	Item Seq.	Quantity
7261302	WLDMT, UPRIGHT FRAME, X3 BLK	1	1
6909501	ASSY, ROCKER-LH	2	1
6909401	ASSY, ROCKER-RH	3	1
7469401	CABLE, CT UPRIGHT	4	1
3226801	CABLE TIE, 3/16" X 11"	5	1
6937801	CAP, TUBE 1.75 DIA	6	2
6692601	CAP, END 3 X 2 10-14GA	7	1
3209401	PLUG, 3/8 HOLE	8	1
3229701	3/8-16 BLIND THRED INSERT HEX	9	2
3234201	3/8-16 X 12 UNS HEX L FHB G5ZN	10	2
6968301	FOAM GRIP, STATIONARY HNDL BAR	11	1
3225202	WSHR 1.051-1.351-015SP-D ST	12	2
3225005	WSH 1.031-1.375-031 SPEC ST ZN	13	2
3225003	WSH 406-1.375-060 SPEC ST ZN	14	2
3102601	WASHER, LOCK 3/8 ID	15	2
3232421	RING:BRE .940 5100-100 ST PP B	16	2

1.2 PARTS LIST

The following parts illustrated in actual size on the following two pages.

0. Accessory Bracket Fastener 1/4"-20 x 3/4" LONG Qty: 2 3234101	1. Phillips Pan Head Screw – Clevis Cover Fastener 10-32 x 3/8" LONG Qty: 4 3223401
2. Electronics Console Mounting Fastener 8-18 x 3/4" LONG Phillips Pan PLT ST Qty: 4 3225905	3. Upright Cap Mounting Fastener 6-20 x 1/2" LONG Phillips Pan PLT ST Qty: 1 3226003
4. Upright Mounting Bolt 3/8 – 16 x 1" LONG Qty: 2 3223301	5. Upright Mounting Bolt – Side Plate 3/8 – 16 x 2-3/4" LONG Qty: 4 3223308
6. Front Clevis/Pedal Lever Mounting Bolt 3/8 – 16 x 3-1/4" LONG Qty: 2 3223310	7. Nylock Nut – Low Height 3/8 – 16 Low HT Qty: 4 3102807
8. Nylock Nut – High Height 3/8 - 16 Qty: 2 3102802	9. Plastic Cap Retaining Washer Qty: 10 6866701
10. Plastic Cap – Black Qty: 10 6866601	Not illustrated Plastic Clevis Covers – Black Qty: 2 Sets (4) Cover, Clevis 1.75" Top/Bottom Top (2) - 6914901 Bottom (2) - 6915001
Not illustrated Plastic Upright Cap – Black Cap, Tube 2 x 3 Custom Qty: 1 6944601	

1.3 PARTS DESCRIPTION

