

# X5 Cross-Trainer Base 120/60 Domestic Cord

X5-XX00-0203

## Parts Manual

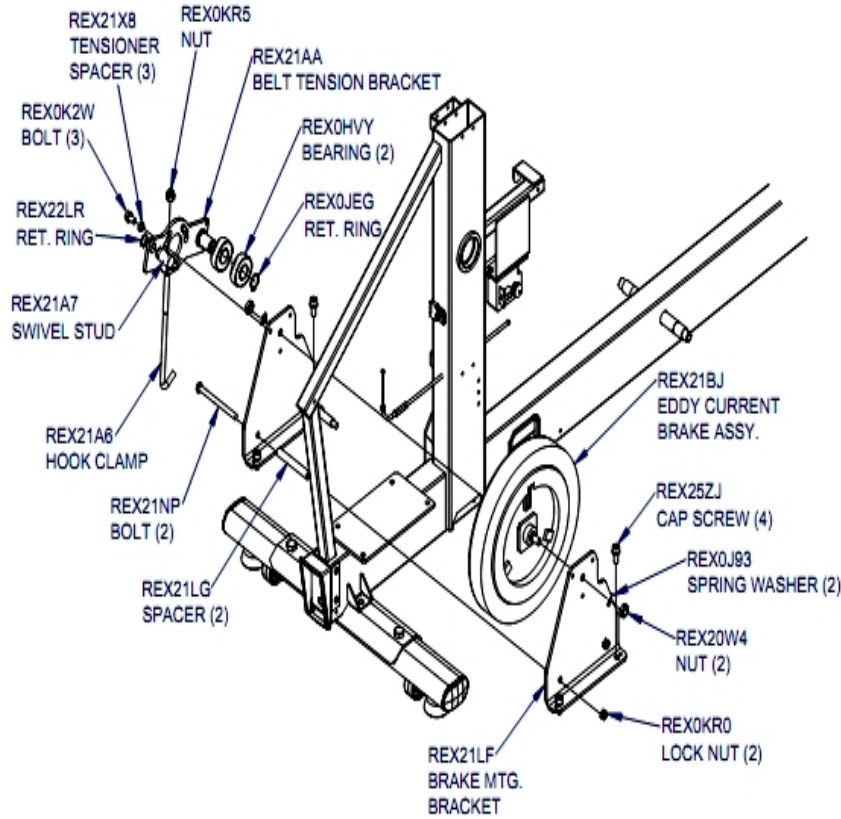
1/5/2019 17:56:11 PM

## Table of Contents

---

<a href="#">Brake and Tensioner Components</a> .....	3
<a href="#">Console and Transformers</a> .....	4
<a href="#">Console Support and Handlebars</a> .....	5
<a href="#">Contents</a> .....	6
<a href="#">Coupler Components</a> .....	7
<a href="#">Crank Components</a> .....	8
<a href="#">Crank Pulley and Drive Belt</a> .....	9
<a href="#">Electronic Components</a> .....	10
<a href="#">Front Plastics</a> .....	11
<a href="#">Idler Assemblies and Covers</a> .....	12
<a href="#">Main Shrouds</a> .....	13
<a href="#">Pedal Lever Assembly</a> .....	14
<a href="#">Stabilizer Components</a> .....	16
<a href="#">Upright and Upright Shrouds</a> .....	17
<a href="#">User Arms and Hardware</a> .....	18
<a href="#">Wiring Diagram</a> .....	19

## Brake and Tensioner Components



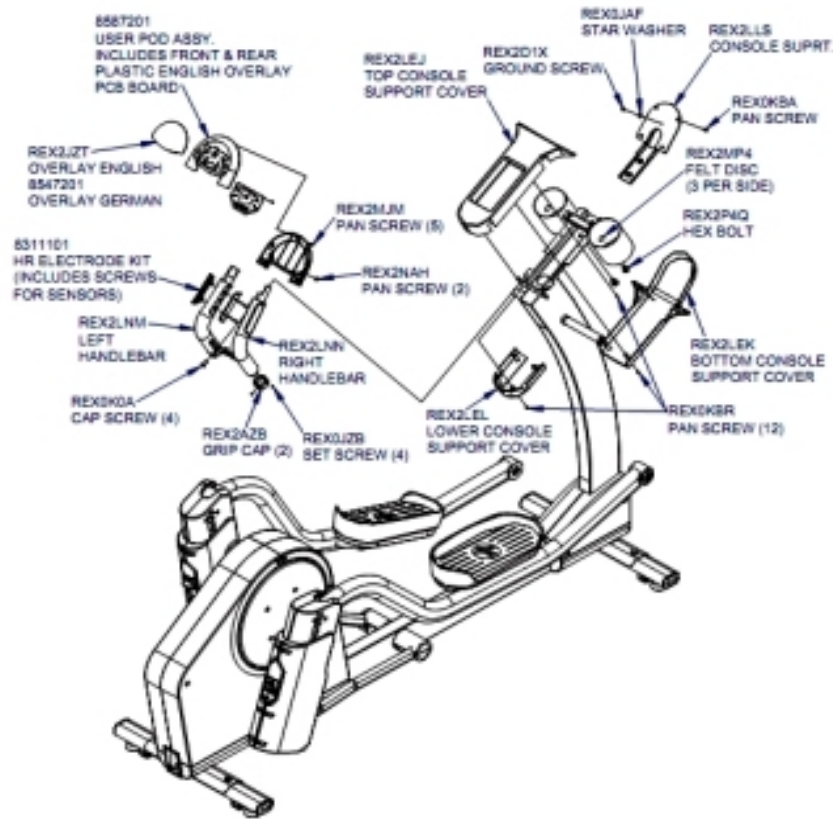
Ref #	Part Number	Qty	Description
-	REX0K2W	3	Hardware: Screw, SHCS Brake MTG
-	REX21AA	1	Bracket, Belt Tensioner
-	REX0KR0	2	Hardware: Nut, Lock M12 X 1.75-12
-	REX20W4	2	Hardware: Nut, HEX M10 X 1.5-6
-	REX21X8	3	Spacer, Tensioner
-	REX25ZJ	4	Hardware: Cap Screw, M8 X 1.25-20
-	REX0J93	2	Hardware: Washer, Spring 1.0
-	REX21LF	1	Bracket, Brake MTG
-	REX21BJ	1	Brake, Assembly Eddy Current
-	REX21NP	2	Hardware: Bolt, HEX HD M12 X 1.75-110
-	REX0HVY	2	Bearing, Ball 6204ZZ
-	REX0JEG	1	Ring: C-Ring, A-20
-	REX22LR	1	Ring: C-Ring, A-16
-	REX21A7	1	Hardware: Stud, Swivel
-	REX0KR5	1	Hardware: Nut, Nylock M10 X 1.5, 10M Thick
-	REX21A6	1	Hardware: Bolt, Hook Clamp
-	REX21LG	2	Spacer, Collar

## Console and Transformers

---

Ref #	Part Number	Qty	Description
-	8819801	1	Transformer, 100-240V, 9V, 1.5A, Domestic, W-Swite

## Console Support and Handlebars



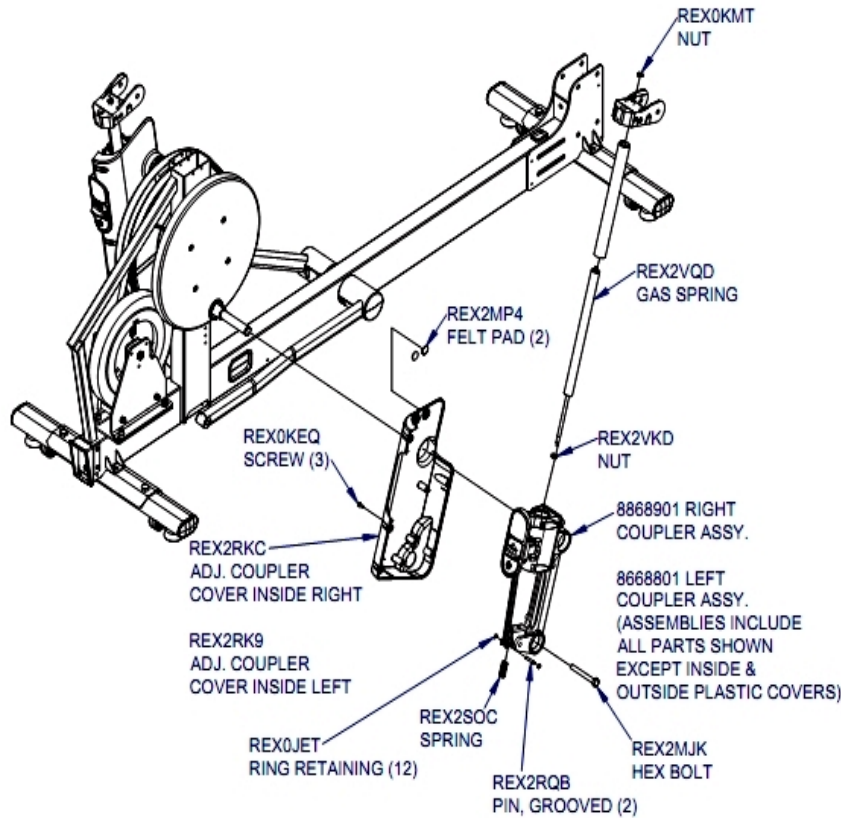
Ref #	Part Number	Qty	Description
-	REX2LEJ	1	Top Console Support Cover
-	REX2AZB	2	Cap, Grip
-	REX2LNM	1	Stationary Handlebar Overmold Left
-	REX2MP4	6	Felt Disc
-	REX0K0A	4	Hardware: Cap Screw, M8 X 1.25-16
-	REX2JZT	1	Overlay, User Pod X3 X5
-	REX2NAG	1	Hardware: Screw, PHI PAN M3.5 X 18-12
-	REX2D1X	1	Hardware: Screw, PHI PAN M5 X 0.8-6
-	8587201	1	Service Assembly, User Pod X3 X5
-	REX2LLS	1	Bracket, Console Support
-	REX2NAH	2	Hardware: Screw, PHI PAN M4 X 0.7-8
-	8547201	1	OVERLAY, ACTIVITY ZONE, GER/MET
-	REX2LNN	1	Stationary Handlebar Overmold Right
-	REX0KBR	12	Hardware: Screw, PHI PAN M3.5 X 20-8
-	REX0JZB	4	Hardware: M4 X .7 HXS NO CUP ST BO
-	REX2LEK	1	Bottom Console Support Cover
-	REX2LEL	1	Lower Console Support Cover
-	REX0KBA	1	Hardware: Screw, PHI PAN M5 X 16-12
-	8311101	1	Service Assembly, HR Electrodes
-	REX0JAF	1	Hardware: Star Washer
-	REX2MJM	5	Hardware: Screw, PHI Pan M3.5 X 18-12
-	REX2P4Q	2	Hardware: Bolt, HEX M10 X 1.5-16

## Contents

---

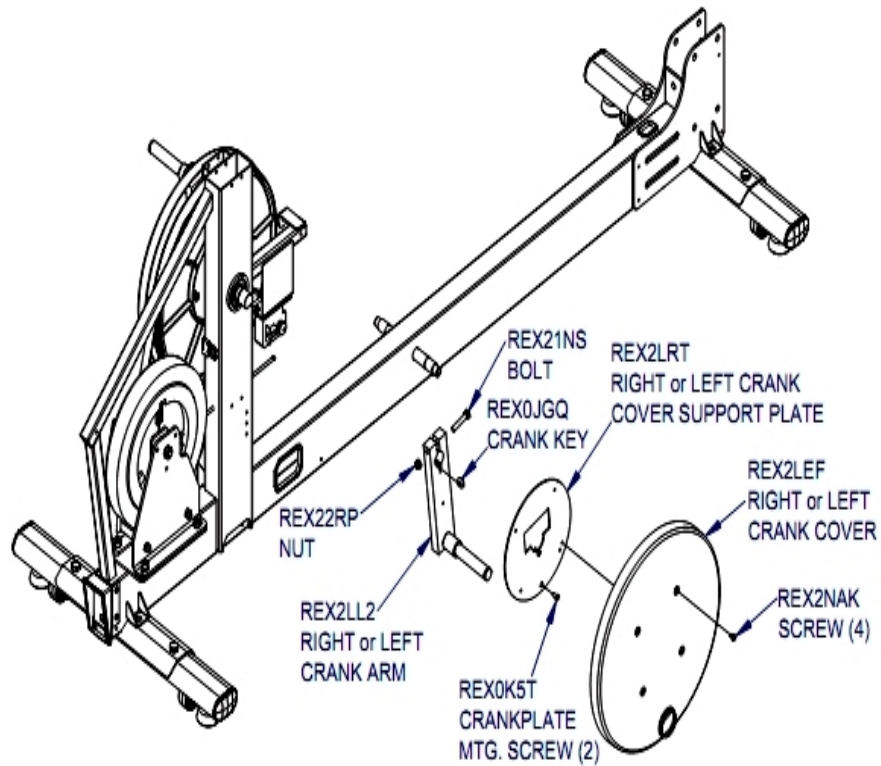
Ref #	Part Number	Qty	Description
-	REX2SNH	1	Kit, All Hardware Bags, X5

## Coupler Components



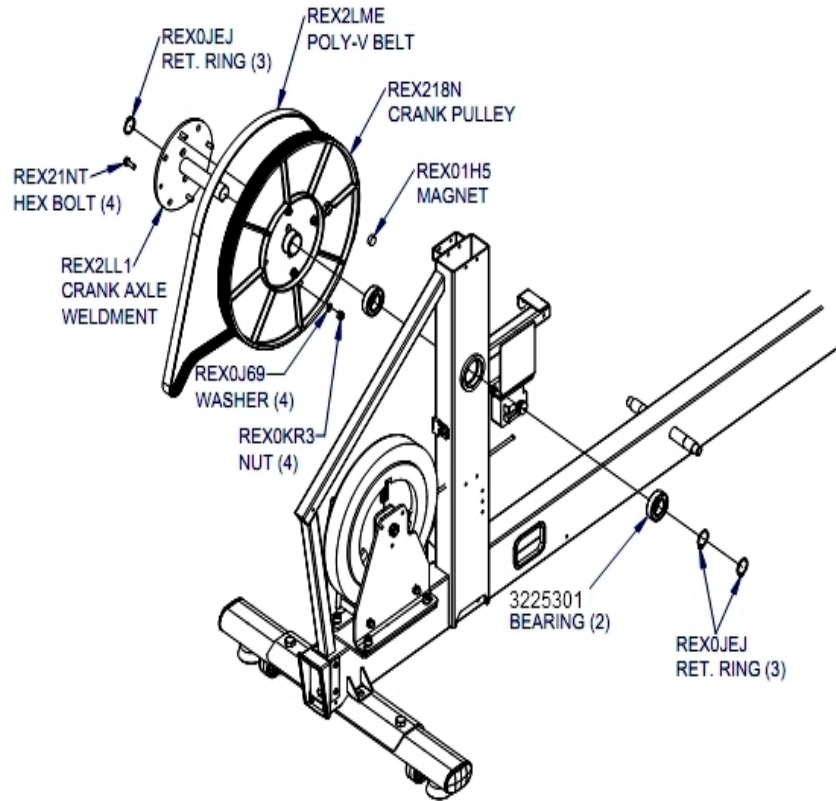
Ref #	Part Number	Qty	Description
-	REX0KEQ	6	Hardware: Screw, PHI PAN M5 X 0.8-12
-	REX2RQB	4	Pin, Grooved
-	REX2VKD	2	NUT, JAM, M8X1
-	REX2VQD	2	Spring, Gas
-	8868801	1	Service Assembly, Left Coupler, FBS, X5
-	REX2RK9	1	Cover, Inside, Adj Coupler, Left, X5
-	REX2MJK	2	Bolt, HEX Head M10 X 1.5-85
-	REX2MP4	4	Felt Disc
-	8868901	1	Service Assembly, Right Coupler, FBS, X5
-	REX2SOC	2	SPRING, ACTUATOR LEVER
-	REX0KMT	2	Hardware: Nut, M8X1
-	REX2RKC	1	Cover, Inside, Adj Coupler, Right, X5
-	REX0JET	12	Ring, Retaining

## Crank Components



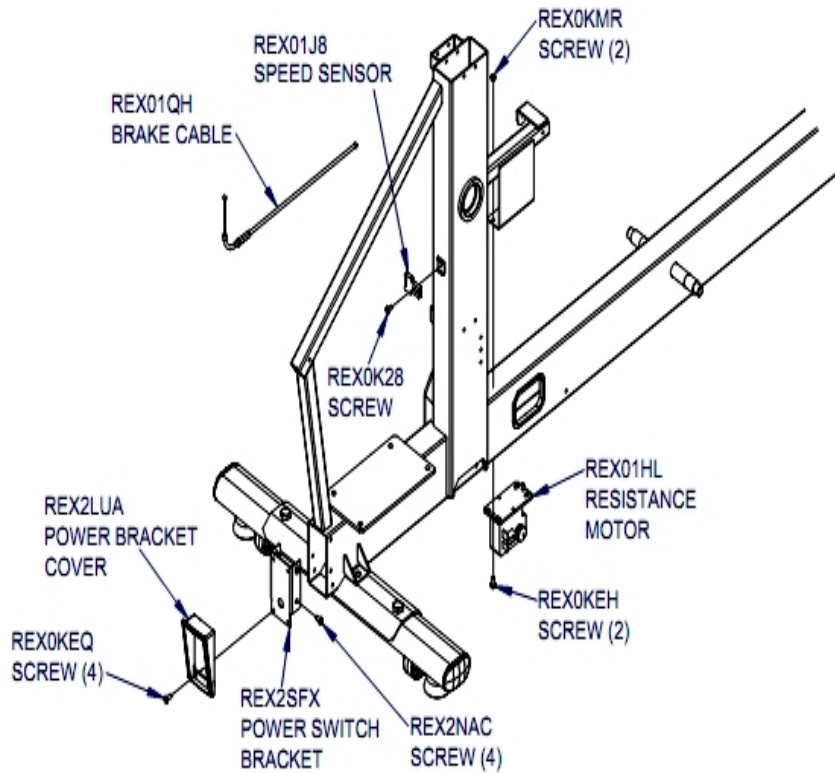
Ref #	Part Number	Qty	Description
-	REX22RP	2	Hardware: Nut, Nylock M8 X 1.25 X 6MM Thick
-	REX0JGQ	2	Crank Key
-	REX2LRT	2	Plate; Crank
-	REX2LEF	2	Cover; Crank
-	REX21NS	2	Hardware: Bolt, HEX HD. M8 X 1.25-60
-	REX2NAK	8	Hardware: Screw, CSL PAN M5 X 0.8-8
-	REX2LL2	2	Weldment, Crank Arm
-	REX0K5T	4	Hardware: Screw, PHI M5 X 0.8-10

## Crank Pulley and Drive Belt



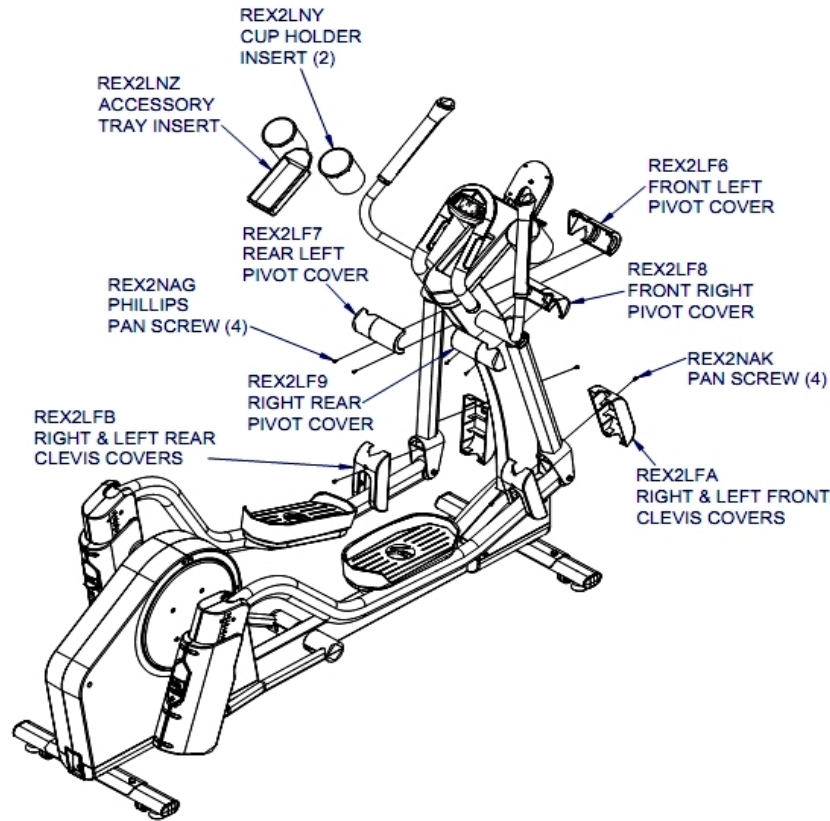
Ref #	Part Number	Qty	Description
-	REX0JEJ	6	Ring, Retaining, 63/64
-	REX01H5	1	Magnet Rexon
-	REX2LL1	1	Weldment, Axle Crank
-	3225301	2	Bearing, 12MM Ball
-	REX0J69	4	Hardware: Washer, Flat .6 X 13-1
-	REX2LME	1	Belt, Drive, Poly V, 520J
-	REX21NT	4	Hardware: Bolt, HEX HD M6 X 1-20
-	REX218N	1	Pulley, Crank
-	REX0KR3	4	Hardware: Nut, Lock M6 X 1, 6MM Thick

## Electronic Components



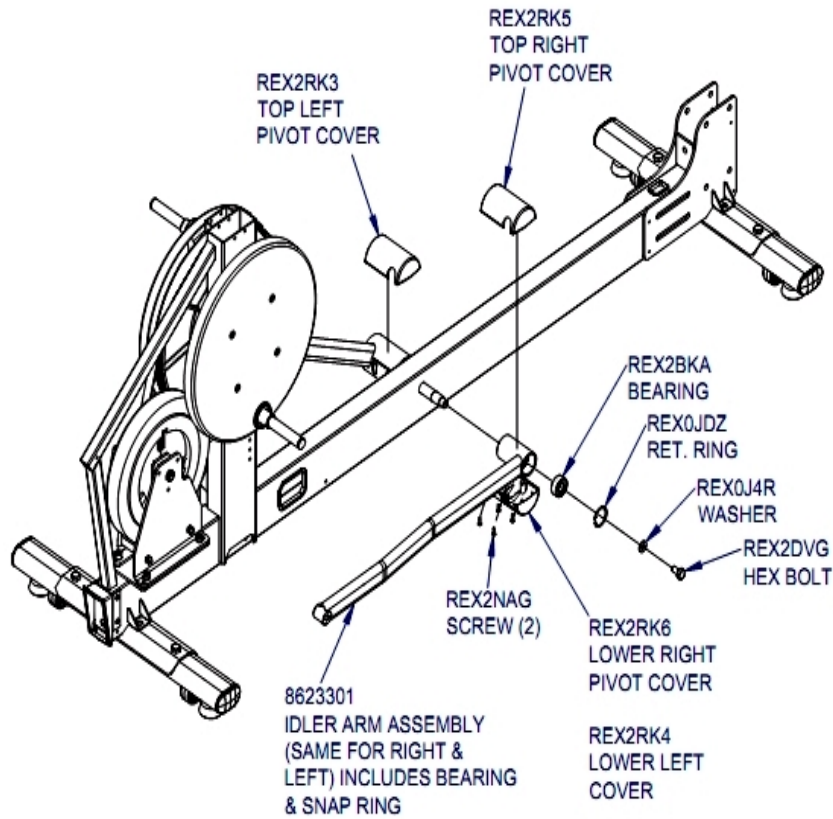
Ref #	Part Number	Qty	Description
-	REX2SFX	1	Bracket, Power Cord
-	REX2NAC	4	Hardware: Screw, CSL PAN M5 X 0.8-12
-	REX01HL	1	Drive Motor, Pesistande DC
-	REX01QH	1	Cable, Brake Harness
-	REX2LUA	1	Cover, Power Bracket
-	REX01J8	1	Switch, Reed, RPM Sensor
-	REX0K28	1	Hardware: Cap Screw, M5 X 0.8-16
-	REX0KEQ	4	Hardware: Screw, PHI PAN M5 X 0.8-12
-	REX0KEH	2	Hardware: Screw, Pan HD with Patch M5 X .8-16
-	REX0KMR	2	Hardware: Nut, M5 X 0.8, 4MM Thick

## Front Plastics



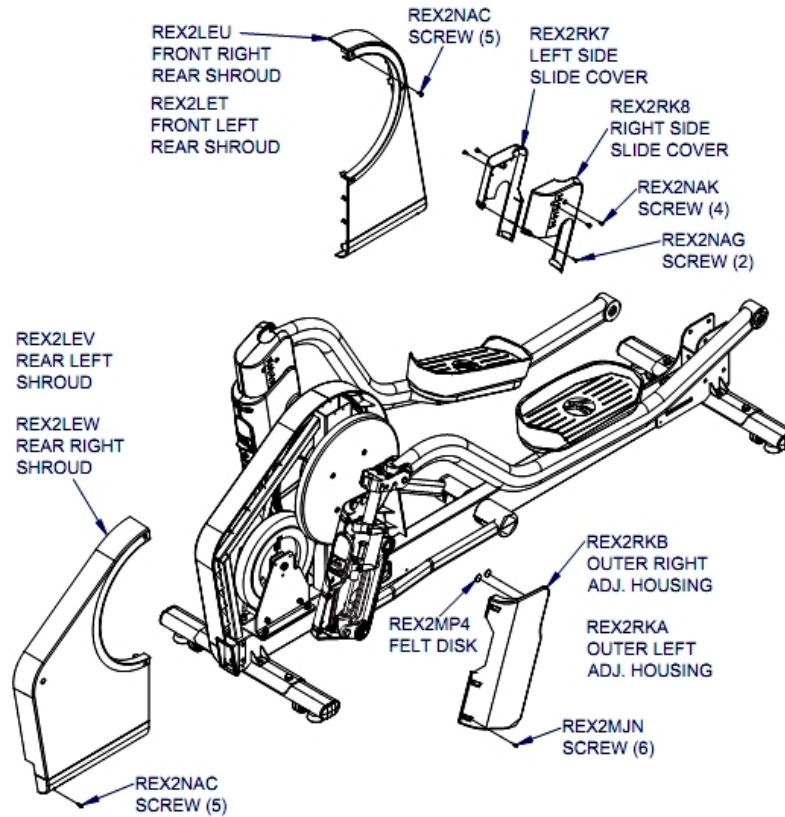
Ref #	Part Number	Qty	Description
-	REX2LF9	1	Cover, Rear Right User Arm
-	REX2LFB	2	Cover; Rear Clevis
-	REX2LF8	1	Cover, Front Right User Arm
-	REX2NAG	4	Hardware: Screw, PHI PAN M3.5 X 18-12
-	REX0KBA	4	Hardware: Screw, PHI PAN M5 X 16-12
-	REX2NAK	4	Hardware: Screw, CSL PAN M5 X 0.8-8
-	REX2LFA	2	Cover; Front Clevis
-	REX2LF6	1	Cover; Front Left User Arm
-	REX2LNY	2	Insert, Cup Holder
-	REX2LNZ	1	Accessory: Plastic CD Tray
-	REX2LF7	1	Cover; Rear Left User Arm

## Idler Assemblies and Covers



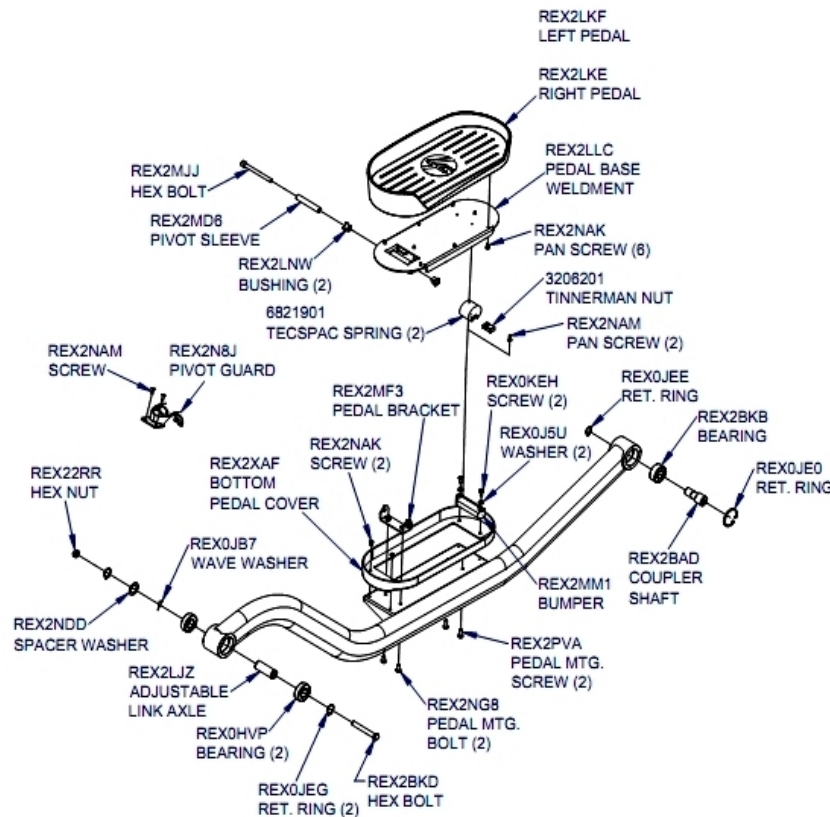
Ref #	Part Number	Qty	Description
-	REX2RK4	1	Cover, Bottom, Left Idler Pivot
-	REX2RK6	1	Cover, Bottom, Right Idler Pivot
-	8623301	2	Service Assembly, Idler, X5
-	REX0J4R	2	Hardware: Washer, 20MM OD X 10MM ID X 3MM Thick
-	REX2NAG	4	Hardware: Screw, PHI PAN M3.5 X 18-12
-	REX2RK3	1	Cover, Top, Left Idler Pivot
-	REX2BKA	2	Bearing, Self-Align, 2202
-	REX2RK5	1	Cover, Top, Right Idler Pivot
-	REX0JDZ	2	Ring, Retaining B-35
-	REX2DVG	2	Hardware: Bolt, HEX M10 X 1.5-20
-	REX0KBA	4	Hardware: Screw, PHI PAN M5 X 16-12

## Main Shrouds



Ref #	Part Number	Qty	Description
-	REX2LET	1	Shroud; Rear Front-Half, Left
-	REX2MJJN	6	Hardware: Screw, PHI HD, M3.5 X 18-12
-	REX2NAC	10	Hardware: Screw, CSL PAN M5 X 0.8-12
-	REX2RK8	1	Shroud, Telescoping, Right
-	REX2LEW	1	Shroud; Rear, Rear-Half
-	REX2LEV	1	Shroud: Rear; Rear-Half; Left
-	REX2RK7	1	Shroud, Telescoping, Left
-	REX2RKA	1	Cover, Outer Adj Coupler, Left, X5
-	REX2RKB	1	Cover, Outer, Adj Coupler, Right, X5
-	REX2NAG	2	Hardware: Screw, PHI PAN M3.5 X 18-12
-	REX0KBA	2	Hardware: Screw, PHI PAN M5 X 16-12
-	REX2MP4	4	Felt Disc
-	REX2NAK	4	Hardware: Screw, CSL PAN M5 X 0.8-8
-	REX2LEU	1	Shroud; Rear Front-Half, Right

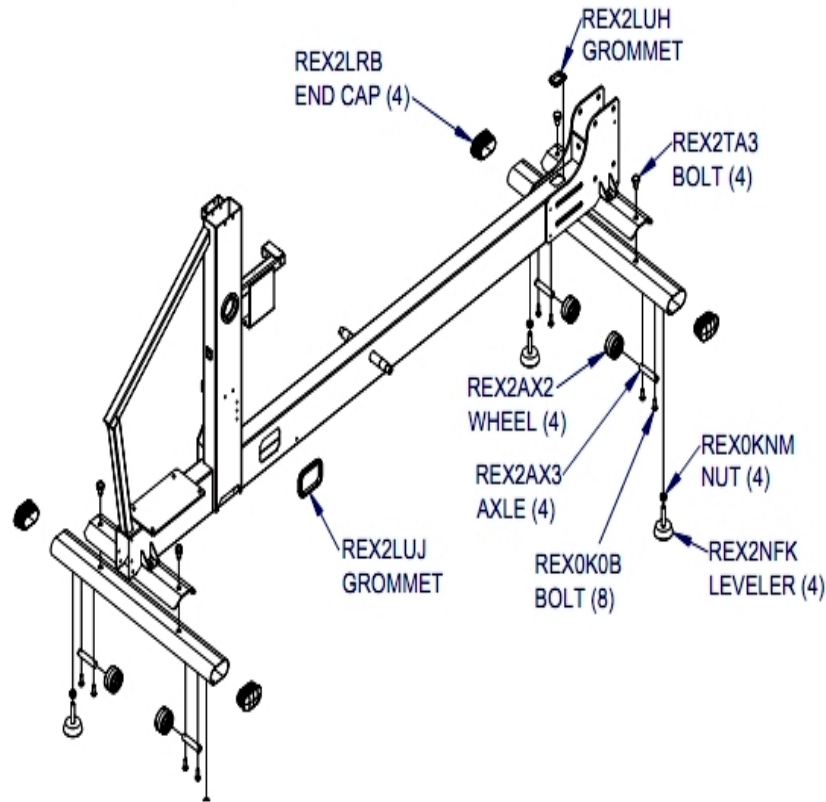
## Pedal Lever Assembly



Ref #	Part Number	Qty	Description
-	REX0JE0	2	Ring, Retaining B-40
-	0017-00103-0198	2	Hardware: Tinnerman Clip 1/4" ID
-	REX22RR	2	Hardware: Nut, Nylock M10 X 1.5-8
-	REX2BAD	2	Shaft, Coupler Pedal Conn
-	REX2LJZ	2	Axle, Adj Link
-	REX2MJJ	2	Hardware: Cap Screw, M8 X 1.25-90
-	REX2NG8	4	Hardware: Bolt, HEX HD M6 X 1-12
-	REX2PVA	4	Hardware: Bolt, HEX 1/4-20, 5/8 IN. Long
-	REX0HVP	4	Bearing Ball 6004ZZ
-	REX2BKB	2	Bearing, Self-Align, 2203
-	REX2NDD	2	Hardware: Washer, Spacer
-	8310701	1	Service Assembly, Left Pedal Lever
-	REX0JEE	2	Ring, Retaining A-17
-	REX2LLC	2	Plate, Pedal
-	REX2N8J	2	Guard, Pivot
-	REX2LKE	1	Pedal, Right
-	REX2LKF	1	Pedal, Left
-	REX2MF3	2	Weldment; Flex Pedal Bracket, X7
-	REX2XAF	2	Cover Bottom Pedal
-	REX0JEG	4	Ring: C-Ring, A-20
-	REX2NAM	6	Hardware: Screw, PHI PAN M4 X 0.7-12
-	REX2MM1	2	Bumper, Rubber

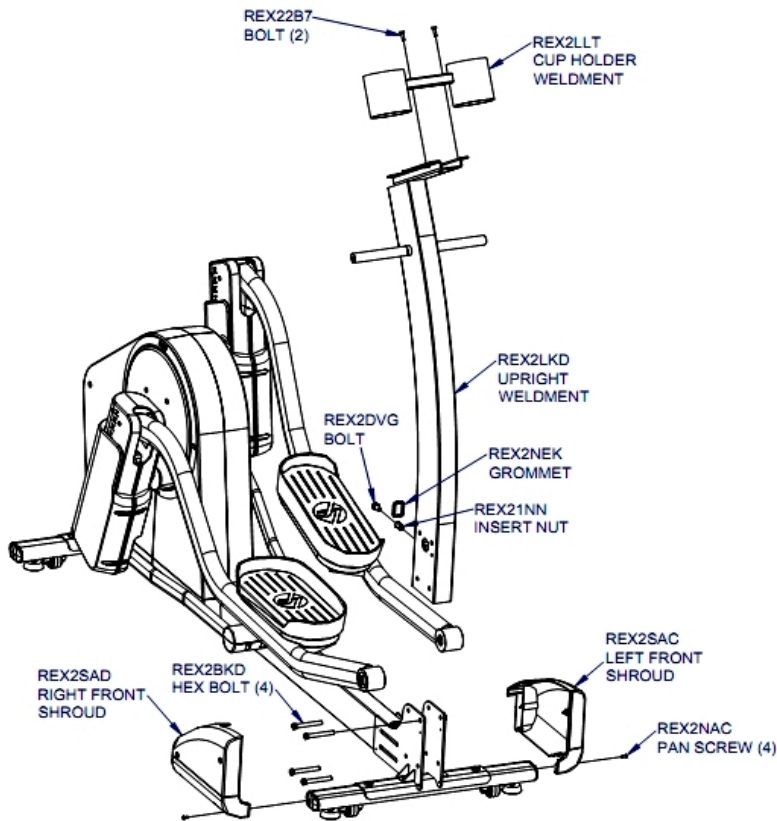
Ref #	Part Number	Qty	Description
-	8310601	1	Service Assembly, Right Pedal Lever
-	REX0J5U	4	Hardware: Washer, 12 MM OD X 5.2 MM ID X 1MM Thick
-	REX2BKD	2	Hardware: Bolt, HEX HD M10 X 1.5-74
-	REX2MD6	2	Sleeve Pivot, Pedal
-	6821901	4	Spring, TECSPAC Black
-	REX0JB7	2	Hardware: Wave Washer; 20.5MM X 26.7MM T = 0.25MM
-	REX0KEH	4	Hardware: Screw, Pan HD with Patch M5 X .8-16
-	REX2LNW	4	Bushing, IGUS
-	REX2NAK	16	Hardware: Screw, CSL PAN M5 X 0.8-8

## Stabilizer Components



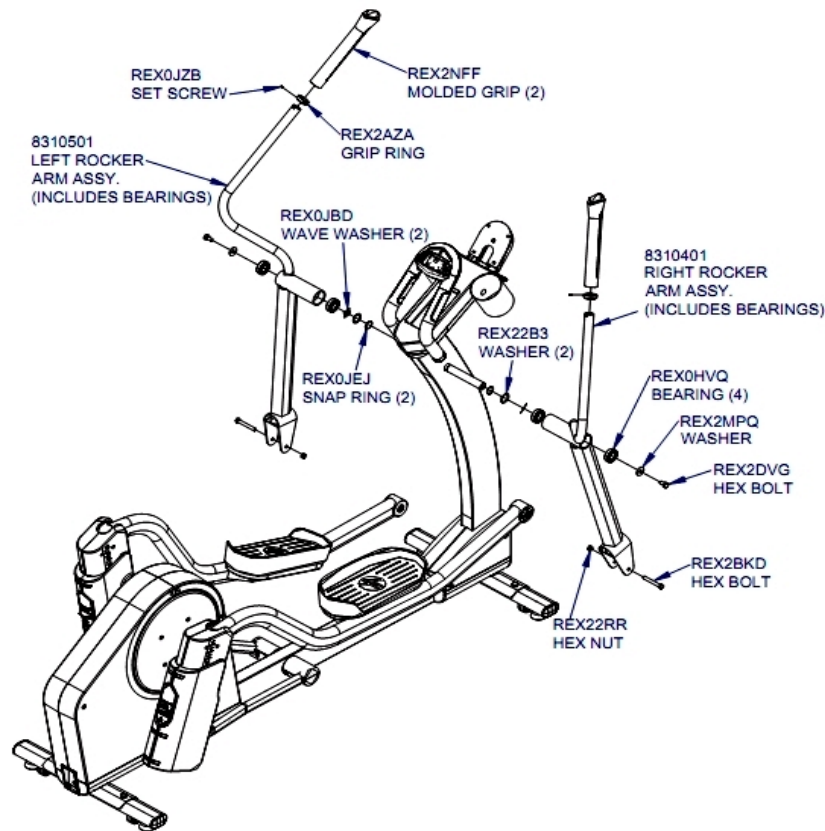
Ref #	Part Number	Qty	Description
-	REX2LUH	1	Grommet, 38MM X 25MM
-	REX2TA3	4	Hardware: Bolt, HEX M10X1.5-16 Clear Zinc
-	REX2AX3	4	Shaft, Wheel Mounting
-	REX0KNM	4	Hardware: Nut, HEX M10 X 1.5-8
-	REX2LRB	4	Stabilizer Endcap
-	8623401	1	Service Assembly, Stabilizer, X5
-	REX2NFK	4	Leveler, Leg
-	REX2AX2	4	Wheel-Floor Roller
-	REX2LUJ	1	Grommet, 50MM X 75MM

## Upright and Upright Shrouds



Ref #	Part Number	Qty	Description
-	REX21NN	1	Hardware: Nut, Insert M10 X 1.5
-	REX2NAC	4	Hardware: Screw, CSL PAN M5 X 0.8-12
-	REX2DVG	1	Hardware: Bolt, HEX M10 X 1.5-20
-	REX2SAD	1	Cover, Right, Upright, X5
-	REX22B7	2	Hardware: Cap Screw, M8 X 1.25-40
-	REX2LKD	1	Weldment, Upright
-	REX2SAC	1	Cover, Left, Upright, X5
-	REX2LLT	1	Bracket; Cup Holder
-	REX2BKD	4	Hardware: Bolt, HEX HD M10 X 1.5-74
-	REX2NEK	1	Grommet, 38MM X 25MM

## User Arms and Hardware



Ref #	Part Number	Qty	Description
-	REX2NFF	2	X7 Grip, Molded
-	REX22B3	2	Hardware: Washer, .26 X 35-.8
-	REX0JEJ	2	Ring, Retaining, 63/64
-	REX22RR	2	Hardware: Nut, Nylock M10 X 1.5-8
-	8310501	1	Left User Arm with Bearing, X7
-	8310401	1	Right User Arm with Bearing, X7
-	3225301	4	Bearing, 12MM Ball
-	REX2MPQ	2	Hardware: Washer, 35MM OD X 10MM OD X 3MM Thick
-	REX2AZA	2	Ring, Grip
-	REX2DVG	2	Hardware: Bolt, HEX M10 X 1.5-20
-	REX0JBD	2	Hardware: Wave Washer; 25MM X 35MM
-	REX2BKD	2	Hardware: Bolt, HEX HD M10 X 1.5-74
-	REX0JZB	2	Hardware: M4 X .7 HXS NO CUP ST BO



