

X8 Cross-Trainer English/Metric 230/240+/50 ALL

X8-XX0X-0103

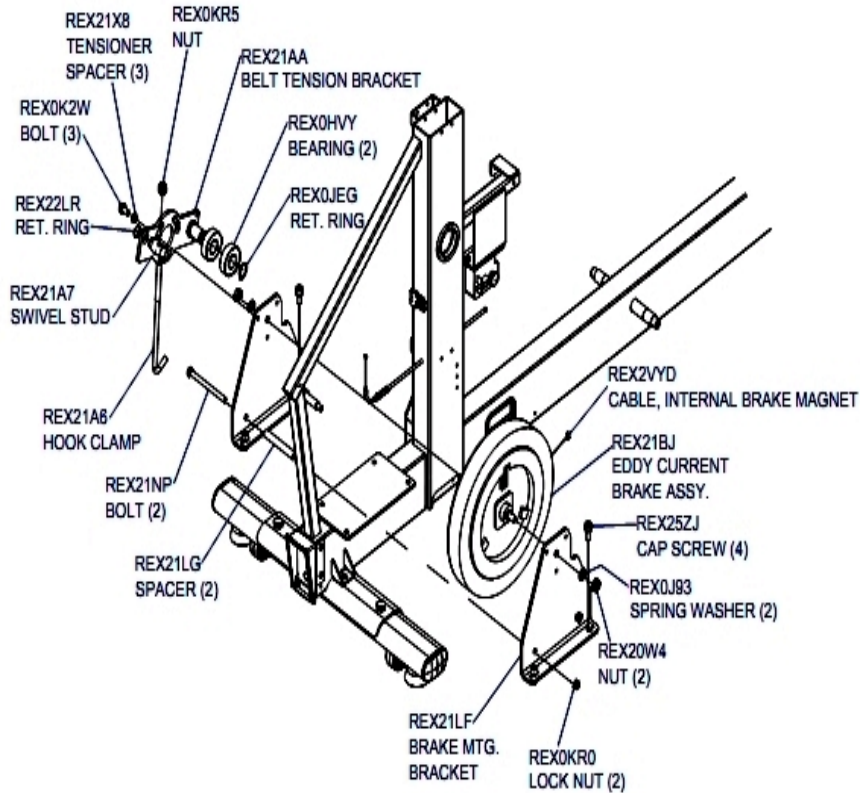
Parts Manual

1/5/2019 17:57:40 PM

Table of Contents

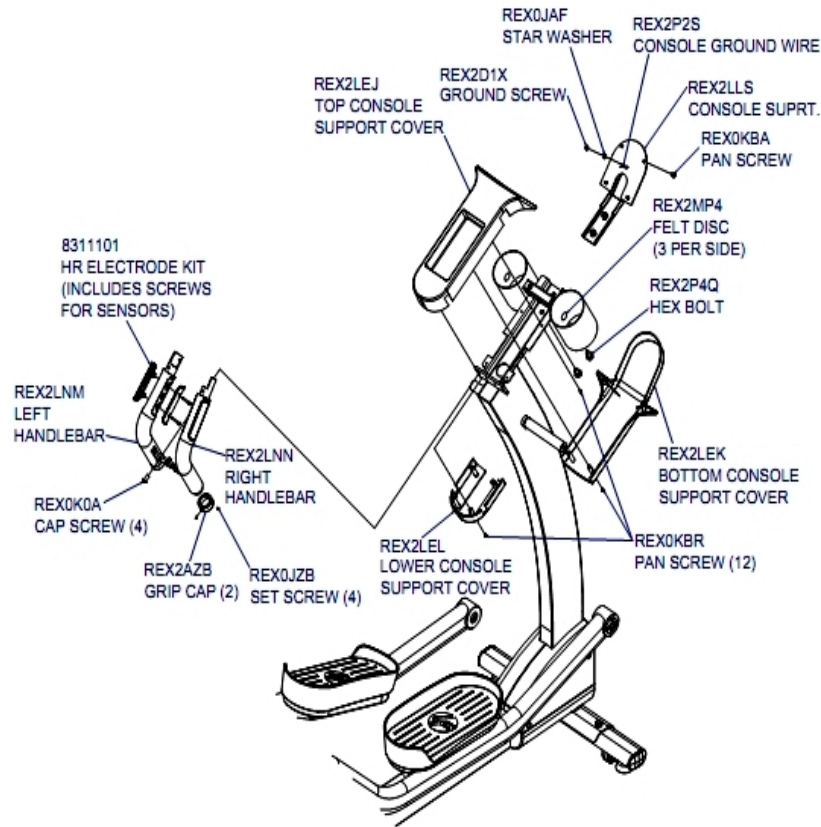
Brake and Tensioner Components.....	3
Console Support and Handlebars.....	4
Console, Line Cords, Activity Zone and Heart Rate Sensor Kits.....	5
Coupler Kits.....	6
Crank Components.....	7
Crank Pulley and Drive Belt.....	8
Electronic Components.....	9
Front Plastics.....	10
Idler Assemblies and Covers.....	11
Main Shrouds.....	12
Miscellaneous.....	13
Pedal Lever Assembly.....	14
Stabilizer Components.....	16
Upright and Upright Shrouds.....	17
User Arms and Hardware.....	18
Wiring Diagram.....	19

Brake and Tensioner Components



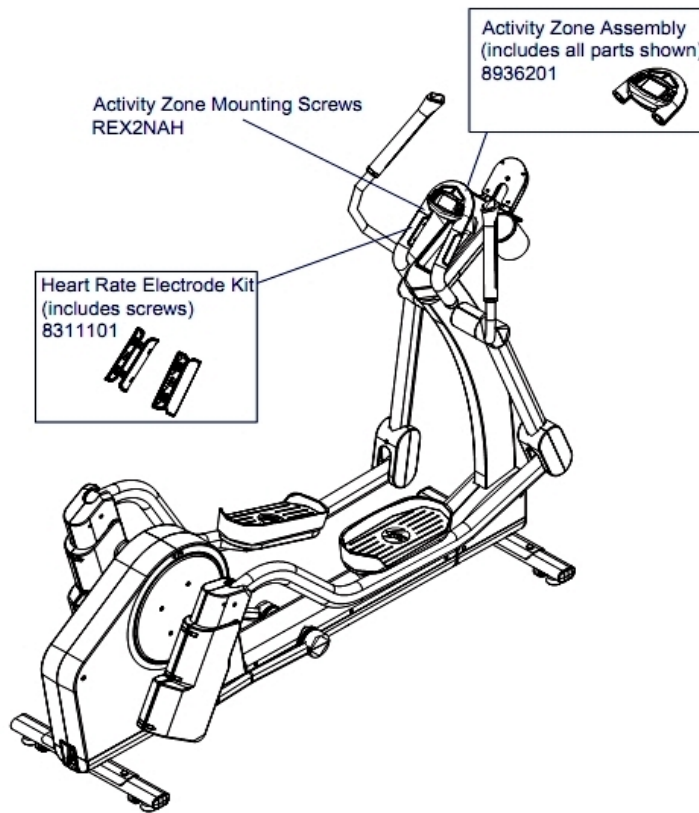
Ref #	Part Number	Qty	Description
-	REX2VYD	1	Cable, Internal Brake Magnet
-	REX21AA	1	Bracket, Belt Tensioner
-	REX21LG	2	Spacer, Collar
-	REX21X8	3	Spacer, Tensioner
-	REX25ZJ	4	Hardware: Cap Screw, M8 X 1.25-20
-	REX0KR0	2	Hardware: Nut, Lock M12 X 1.75-12
-	REX20W4	2	Hardware: Nut, HEX M10 X 1.5-6
-	REX0J93	2	Hardware: Washer, Spring 1.0
-	REX21LF	1	Bracket, Brake MTG
-	REX21BJ	1	Brake, Assembly Eddy Current
-	REX21NP	2	Hardware: Bolt, HEX HD M12 X 1.75-110
-	REX0HVY	2	Bearing, Ball 6204ZZ
-	REX0JEG	1	Ring: C-Ring, A-20
-	REX22LR	1	Ring: C-Ring, A-16
-	REX21A7	1	Hardware: Stud, Swivel
-	REX0KR5	1	Hardware: Nut, Nylock M10 X 1.5, 10M Thick
-	REX21A6	1	Hardware: Bolt, Hook Clamp
-	REX0K2W	3	Hardware: Screw, SHCS Brake MTG

Console Support and Handlebars



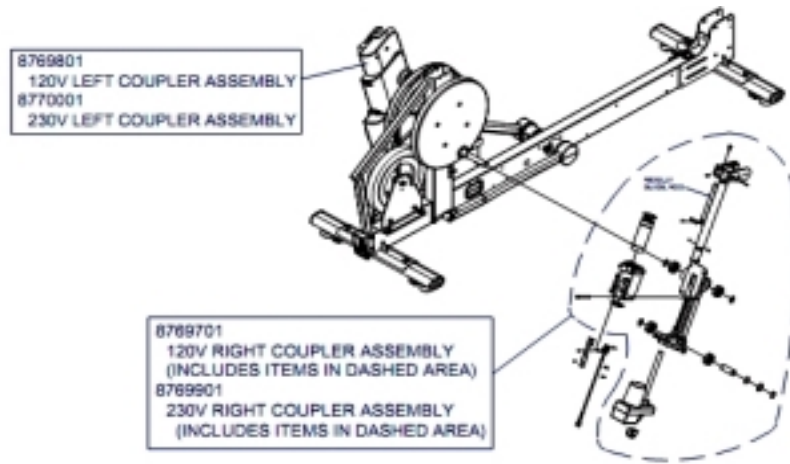
Ref #	Part Number	Qty	Description
-	REX0K0A	4	Hardware: Cap Screw, M8 X 1.25-16
-	REX2AZB	2	Cap, Grip
-	REX2D1X	1	Hardware: Screw, PHI PAN M5 X 0.8-6
-	REX0JZB	4	Hardware: M4 X .7 HXS NO CUP ST BO
-	REX2LNN	1	Stationary Handlebar Overmold Right
-	REX2LEJ	1	Top Console Support Cover
-	REX0KBR	12	Hardware: Screw, PHI PAN M3.5 X 20-8
-	REX2MP4	6	Felt Disc
-	REX2P4Q	1	Hardware: Bolt, HEX M10 X 1.5-16
-	REX2P2S	1	GROUND WIRE
-	REX2LEK	1	Bottom Console Support Cover
-	REX2LEL	1	Lower Console Support Cover
-	REX2LLS	1	Bracket, Console Support
-	8311101	1	Service Assembly, HR Electrodes
-	REX2LNM	1	Stationary Handlebar Overmold Left
-	REX0JAF	1	Hardware: Star Washer
-	REX2NAG	1	Hardware: Screw, PHI PAN M3.5 X 18-12

Console, Line Cords, Activity Zone and Heart Rate Sensor Kits



Ref #	Part Number	Qty	Description
-	REX2NJK	1	Line Cord, Cont

Coupler Kits

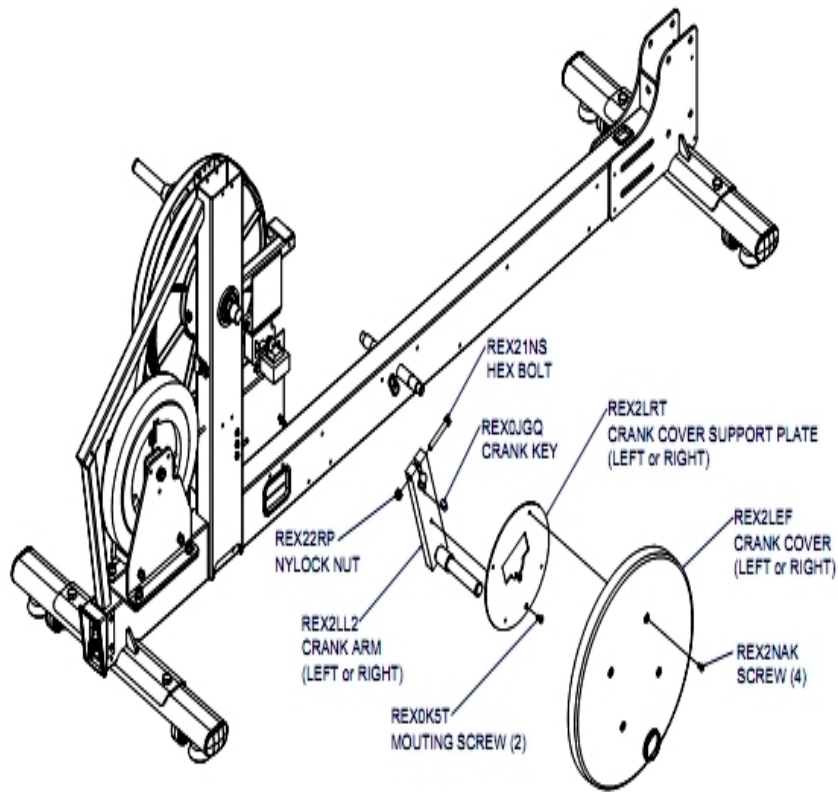


ADDITIONAL SERVICE ITEMS



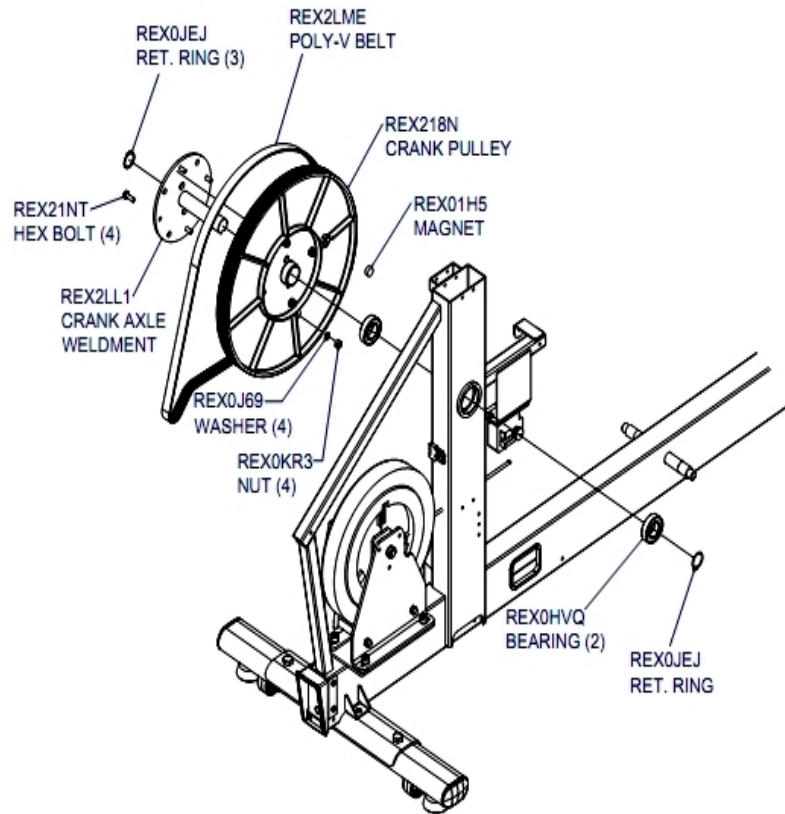
Ref #	Part Number	Qty	Description
-	8770001	1	Service Assembly, Coupler 230V Left
-	8762101	1	Service Assembly, Limit Switch Right
-	REX2MT7	1	Actuator, Left Coupler 230V
-	REX2NG7	4	Hardware: Screw, PHI PAN M3 X 0.5-10
-	REX2MT8	1	Actuator, Right Coupler 230V
-	8762201	1	Service Assembly, Limit Switch Left
-	REX2LJV	1	Guide Rod, Adj Link
-	8762301	2	Service Assembly, Upper Coupler
-	8769901	1	Service Assembly, Coupler 230V Right

Crank Components



Ref #	Part Number	Qty	Description
-	REX22RP	1	Hardware: Nut, Nylock M8 X 1.25 X 6MM Thick
-	REX0JGQ	1	Crank Key
-	REX2LEF	2	Cover; Crank
-	REX21NS	1	Hardware: Bolt, HEX HD. M8 X 1.25-60
-	REX2LRT	2	Plate; Crank
-	REX2LL2	2	Weldment, Crank Arm
-	REX2NAK	4	Hardware: Screw, CSL PAN M5 X 0.8-8
-	REX0K5T	2	Hardware: Screw, PHI M5 X 0.8-10

Crank Pulley and Drive Belt

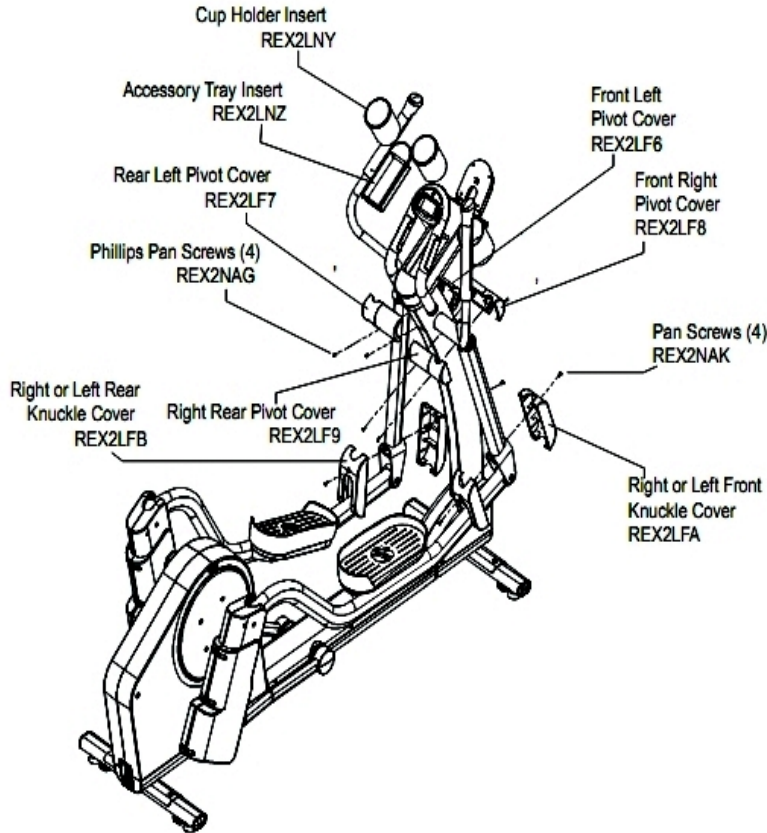


Ref #	Part Number	Qty	Description
-	REX0J69	4	Hardware: Washer, Flat .6 X 13-1
-	REX218N	1	Pulley, Crank
-	REX2LL1	1	Weldment, Axle Crank
-	3225301	2	Bearing, 12MM Ball
-	REX21NT	4	Hardware: Bolt, HEX HD M6 X 1-20
-	REX2LME	1	Belt, Drive, Poly V, 520J
-	REX01H5	1	Magnet Rexon
-	REX0JEJ	4	Ring, Retaining, 63/64
-	REX0KR3	4	Hardware: Nut, Lock M6 X 1, 6MM Thick

Electronic Components

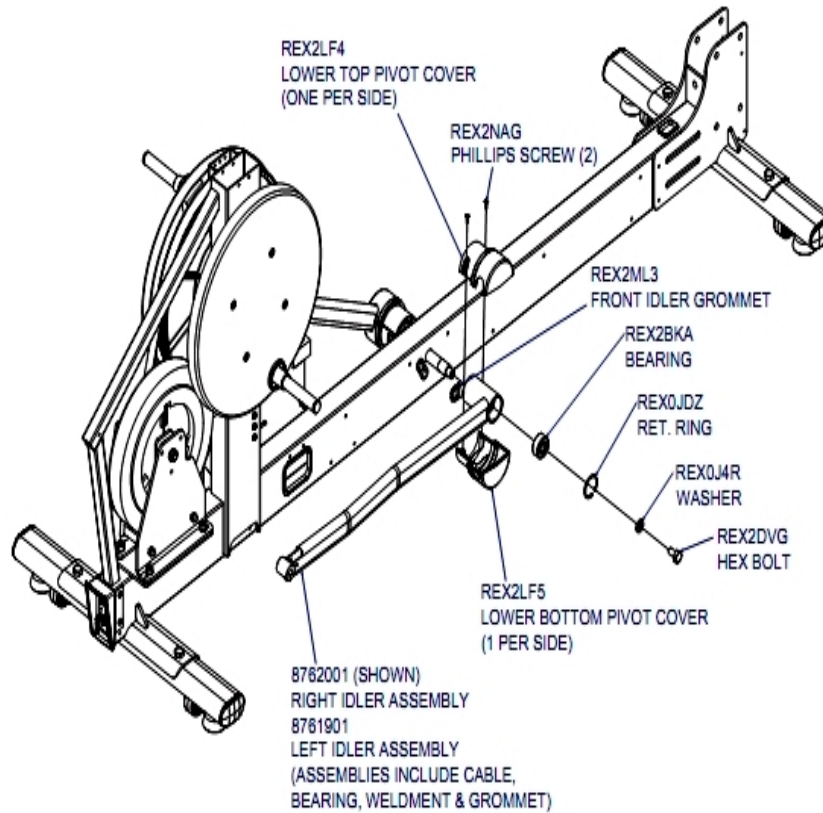
Ref #	Part Number	Qty	Description
-	REX2AC8	4	Clamp: Snap Standoff
-	REX2NAP	2	Hardware: Screw, PHI Pan M3 X 0.5-8
-	REX2NAC	7	Hardware: Screw, CSL PAN M5 X 0.8-12
-	REX2NE1	1	Transformer; 230V X7
-	8888801	1	Service Assembly, ASXT Motor Control V2
-	REX01QH	1	Cable, Brake Harness
-	REX0JAF	3	Hardware: Star Washer
-	REX0KMR	2	Hardware: Nut, M5 X 0.8, 4MM Thick
-	REX0LS6	1	Power Switch
-	REX2LPA	1	Bracket, Power Switch
-	REX2LQL	1	Electrical:Inlet, AC
-	REX0KNC	2	Hardware: Nut, HEX M4 X 0.7, 3.2MM Thick
-	REX2WYC	1	Electrical:Fuse Metric 5X20 S-B 3.15A 250V
-	REX0K28	1	Hardware: Cap Screw, M5 X 0.8-16
-	REX2NJK	1	Line Cord, Cont
-	REX0KEQ	4	Hardware: Screw, PHI PAN M5 X 0.8-12
-	REX2NAM	2	Hardware: Screw, PHI PAN M4 X 0.7-12
-	REX0KEH	2	Hardware: Screw, Pan HD with Patch M5 X .8-16
-	REX2HWH	1	Drive Motor, Resistance Stepper
-	REX2LUA	1	Cover, Power Bracket
-	REX2LQK	1	Speed Sensor

Front Plastics



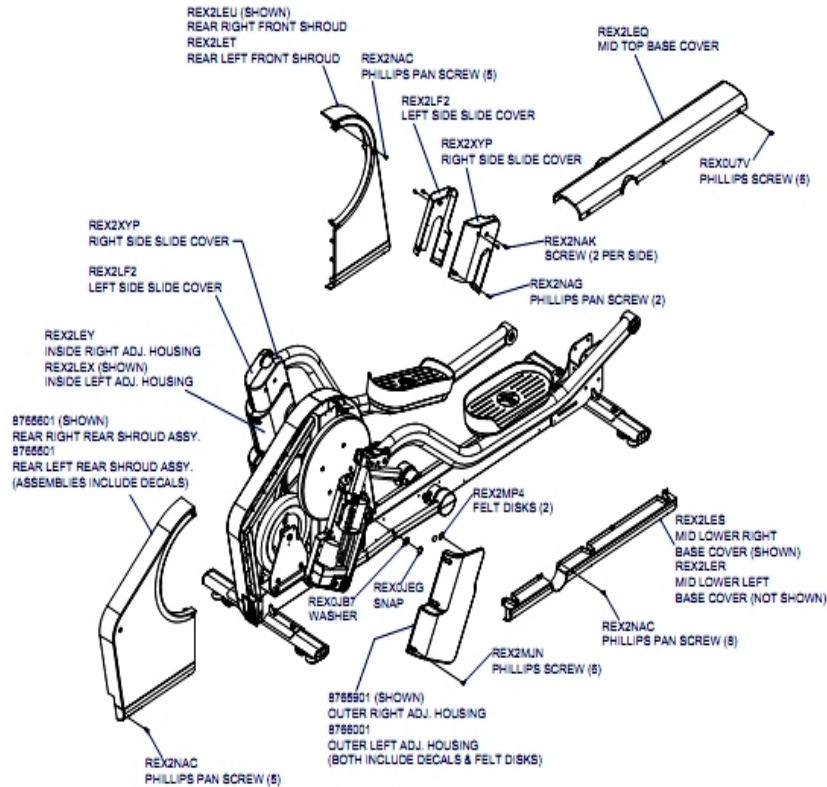
Ref #	Part Number	Qty	Description
-	REX2LF9	1	Cover, Rear Right User Arm
-	REX2LFB	1	Cover; Rear Clevis
-	REX2LF8	1	Cover, Front Right User Arm
-	REX2NAG	4	Hardware: Screw, PHI PAN M3.5 X 18-12
-	REX2NAK	4	Hardware: Screw, CSL PAN M5 X 0.8-8
-	REX2LFA	1	Cover; Front Clevis
-	REX2LF6	1	Cover; Front Left User Arm
-	REX2LNY	2	Insert, Cup Holder
-	REX2LNZ	1	Accessory: Plastic CD Tray
-	REX2LF7	1	Cover; Rear Left User Arm

Idler Assemblies and Covers



Ref #	Part Number	Qty	Description
-	REX2LF4	2	Cover Pivot Lower Top
-	REX2LF5	2	Cover Pivot Lower Bottom
-	8761901	1	Service Assembly, Idler Left
-	REX2ML3	1	Grommet, Idler Front
-	8762001	1	Service Assembly, Idler Right
-	REX0J4R	1	Hardware: Washer, 20MM OD X 10MM ID X 3MM Thick
-	REX2NAG	2	Hardware: Screw, PHI PAN M3.5 X 18-12
-	REX2BKA	1	Bearing, Self-Align, 2202
-	REX0JDZ	1	Ring, Retaining B-35
-	REX2DVG	1	Hardware: Bolt, HEX M10 X 1.5-20

Main Shrouds



Ref #	Part Number	Qty	Description
-	REX2LER	1	Cover; Extrusion Left
-	REX2NAK	4	Hardware: Screw, CSL PAN M5 X 0.8-8
-	REX2LET	1	Shroud; Rear Front-Half, Left
-	REX2LF2	2	Shroud; Telescoping, Left
-	REX2LES	1	Cover; Extrusion Right
-	REX2MP4	2	Felt Disc
-	REX2LEQ	1	Cover; Extrusion Top
-	REX0JB7	1	Hardware: Wave Washer; 20.5MM X 26.7MM T = 0.25MM
-	8765901	1	Service Assembly, Outer Coupler Shroud Right
-	REX0U7V	6	Hardware: Screw, PHI M4 X 16-16
-	REX2MUN	6	Hardware: Screw, PHI HD, M3.5 X 18-12
-	REX2NAC	18	Hardware: Screw, CSL PAN M5 X 0.8-12
-	8765501	1	Service Assembly, Rear Shroud Rear Left
-	8766001	1	Service Assembly, Outer Coupler Shroud Left
-	REX2LEY	1	Cover; Inside Actuator, Right
-	REX2LEX	1	Cover; Inside Actuator, Left
-	REX2XYP	2	Shroud; Telescoping, Right, X8
-	8765601	1	Service Assembly, Rear Shroud Rear Right
-	REX2LEU	1	Shroud; Rear Front-Half, Right
-	REX2NAG	2	Hardware: Screw, PHI PAN M3.5 X 18-12
-	REX0JEG	1	Ring: C-Ring, A-20

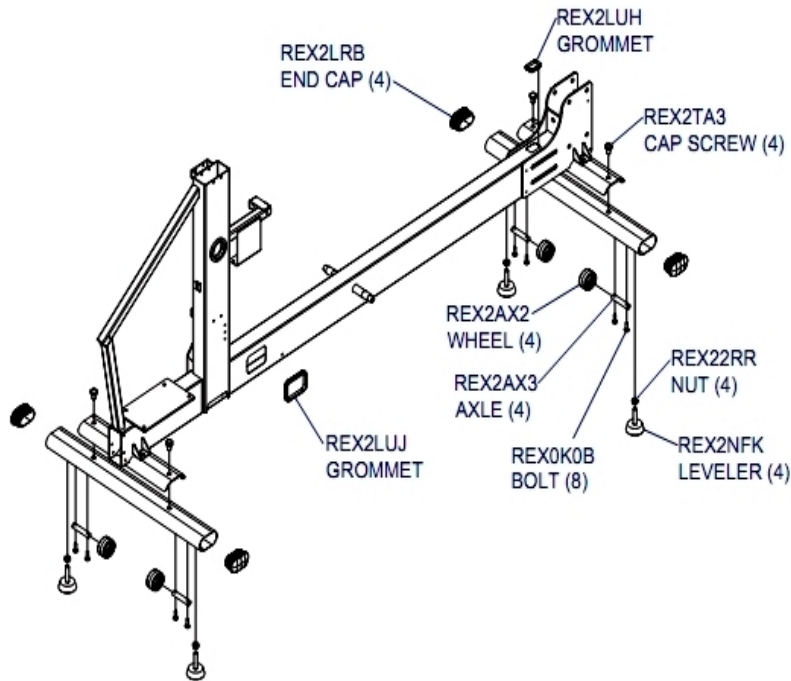
Miscellaneous

Ref #	Part Number	Qty	Description
-	REX2NAH	1	Hardware: Screw, PHI PAN M4 X 0.7-8
-	8936201	1	Service Assembly, X7-X8 Act Zone, P4
-	8311101	1	Service Assembly, HR Electrodes
-	8186301	1	Arctic Silver Touch Up Paint; 18ML Bottle, HEAO006
-	REX2SNH	1	Kit, All Hardware Bags, X5

Ref #	Part Number	Qty	Description
-	REX2MM1	1	Bumper, Rubber
-	REX0J5U	4	Hardware: Washer, 12 MM OD X 5.2 MM ID X 1MM Thick
-	REX2BKD	1	Hardware: Bolt, HEX HD M10 X 1.5-74
-	REX2MD6	1	Sleeve Pivot, Pedal
-	6821901	2	Spring, TECSPAC Black
-	REX0JB7	1	Hardware: Wave Washer; 20.5MM X 26.7MM T = 0.25MM
-	REX0KEH	2	Hardware: Screw, Pan HD with Patch M5 X .8-16
-	REX2LNW	2	Bushing, IGUS
-	0017-00103-0198	1	Hardware: Tinnerman Clip 1/4" ID

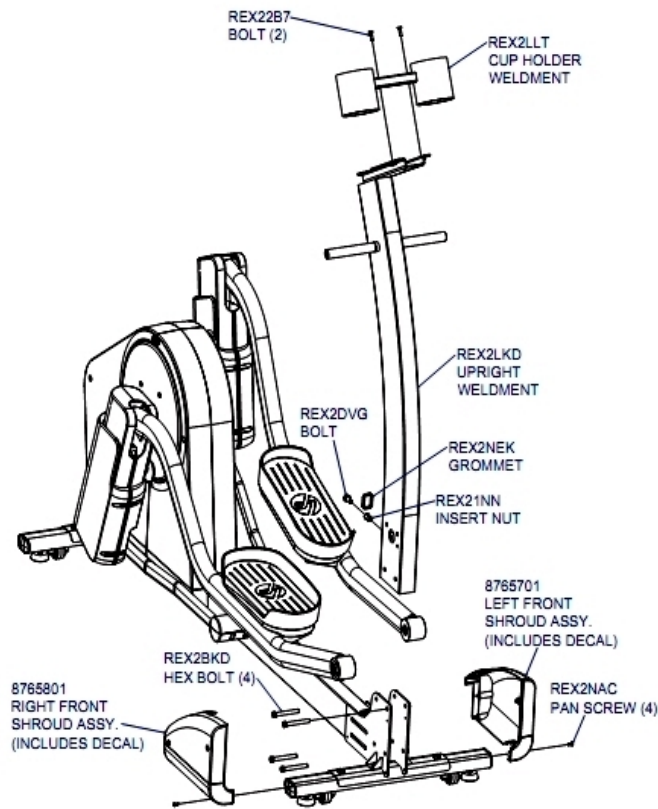
Stabilizer Components

8623401
FRONT or REAR STABILIZER ASSY.
(ASSY. INCLUDES: WHEELS,
LEVELERS & END CAPS)



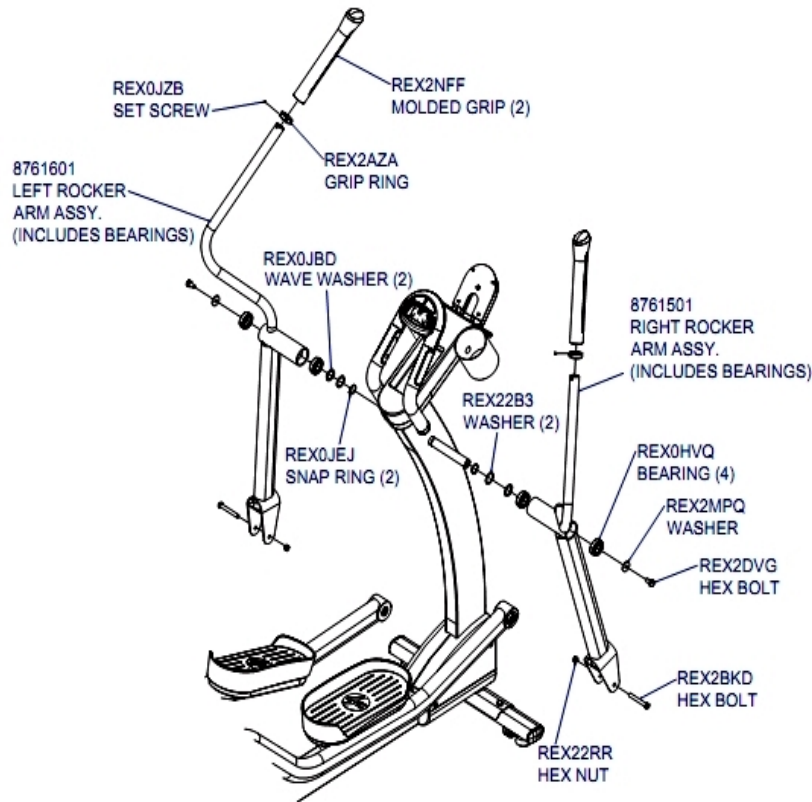
Ref #	Part Number	Qty	Description
-	8623401	1	Service Assembly, Stabilizer, X5
-	REX2NFK	4	Leveler, Leg
-	REX22RR	4	Hardware: Nut, Nylock M10 X 1.5-8
-	REX2LUJ	1	Grommet, 50MM X 75MM
-	REX2AX2	4	Wheel-Floor Roller
-	REX2LRB	4	Stabilizer Endcap
-	REX2AX3	4	Shaft, Wheel Mounting
-	REX2LUH	1	Grommet, 38MM X 25MM
-	REX2TA3	4	Hardware: Bolt, HEX M10X1.5-16 Clear Zinc

Upright and Upright Shrouds



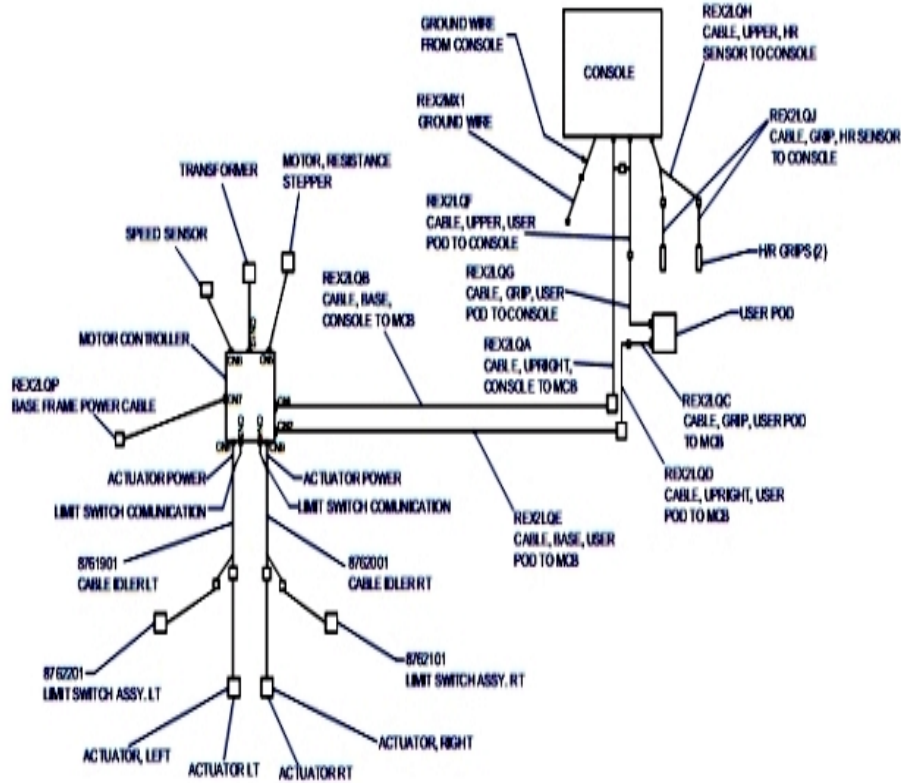
Ref #	Part Number	Qty	Description
-	8765701	1	Service Assembly, Front Shroud Left
-	REX2NEK	1	Grommet, 38MM X 25MM
-	REX2DVG	1	Hardware: Bolt, HEX M10 X 1.5-20
-	REX2LKD	1	Weldment, Upright
-	REX21NN	1	Hardware: Nut, Insert M10 X 1.5
-	REX2NAC	4	Hardware: Screw, CSL PAN M5 X 0.8-12
-	REX2LLT	1	Bracket; Cup Holder
-	REX2BKD	4	Hardware: Bolt, HEX HD M10 X 1.5-74
-	REX22B7	2	Hardware: Cap Screw, M8 X 1.25-40
-	8765801	1	Service Assembly, Front Shroud Right

User Arms and Hardware



Ref #	Part Number	Qty	Description
-	REX0JZB	1	Hardware: M4 X .7 HXS NO CUP ST BO
-	REX2DVG	1	Hardware: Bolt, HEX M10 X 1.5-20
-	8761601	1	Service Assembly, Rocker Arm Left
-	REX2BKD	1	Hardware: Bolt, HEX HD M10 X 1.5-74
-	8761501	1	Service Assembly, Rocker Arm Right
-	REX0JEJ	2	Ring, Retaining, 63/64
-	REX2AZA	1	Ring, Grip
-	REX22B3	2	Hardware: Washer, .26 X 35-.8
-	REX2NFF	2	X7 Grip, Molded
-	REX22RR	1	Hardware: Nut, Nylock M10 X 1.5-8
-	REX0JBD	2	Hardware: Wave Washer; 25MM X 35MM
-	REX2MPQ	1	Hardware: Washer, 35MM OD X 10MM OD X 3MM Thick
-	3225301	4	Bearing, 12MM Ball

Wiring Diagram



Ref #	Part Number	Qty	Description
-	8762201	1	Service Assembly, Limit Switch Left
-	REX2LQD	1	Cable, Upright, User Pod To MCB
-	8761901	1	Service Assembly, Idler Left
-	REX2LQF	1	Cable, Upper, User Pod To Console
-	REX2LQG	1	Cable, Grip, User Pod To Console
-	8762001	1	Service Assembly, Idler Right
-	REX2LQH	1	Cable, Upper, HR Sensor To Console
-	REX2LQB	1	Cable, Base, Console To MCB
-	REX2MX1	1	E-Cable: Ground Wire
-	REX2LQE	1	Cable, Base, User Pod To MCB
-	REX2LQP	1	Power Supply: Base Frame Power Cable
-	REX2LQA	1	Cable, Upright, Console to MCB
-	REX2LQC	1	Cable, Grip, User Pod To MCB
-	8762101	1	Service Assembly, Limit Switch Right

