

X9i Cross-Trainer Rear Drive Universal Console

X9-0100-02

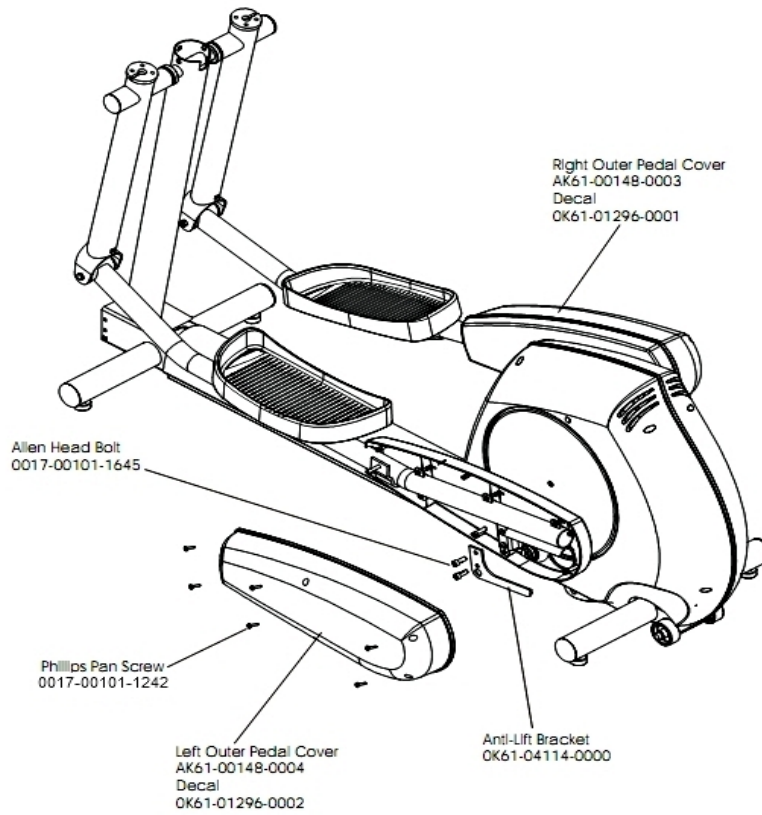
Parts Manual

1/5/2019 17:59:05 PM

Table of Contents

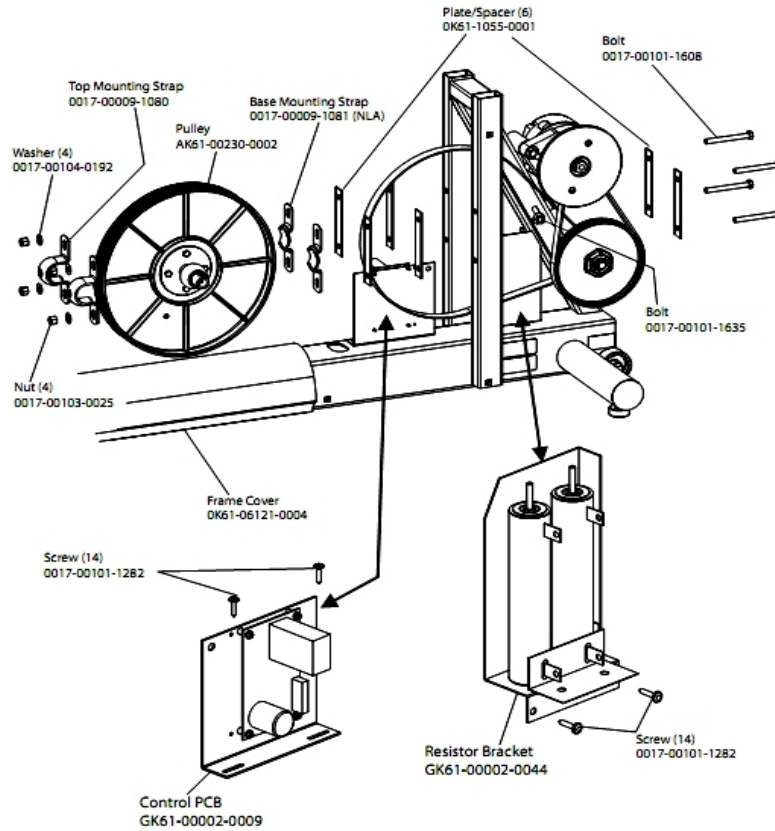
Anti-Lift Bracket and Outer Pedal Covers	3
Brackets and Frame Assembly	4
Cables	5
Clevis and Front Frame Covers	6
Console Assembly	7
Console Support Assembly - Optional	8
Crankshaft Exploded View	9
Drive Belts and Alternator	10
Drive Linkage Assembly	11
General Assembly	12
Pedal Lever Assembly	13
Rear Drive Shrouds with Decals	14
Rocker Arm Assembly	15
Rocker Arm Covers	16
Roller Assembly	17
Upper Arm and Heart Rate Assembly	18

Anti-Lift Bracket and Outer Pedal Covers



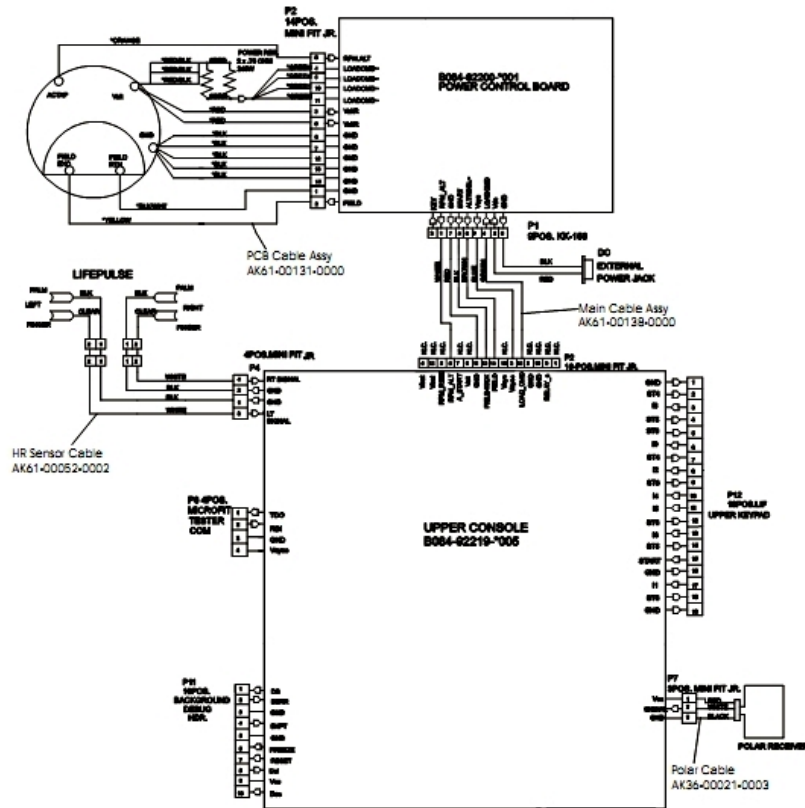
Ref #	Part Number	Qty	Description
-	OK61-01296-0002	1	Decal: Shroud; Left; X9 C
-	AK61-00148-0004	1	Cover with Decal Assembly: Mfg; Left; X9 D
-	OK61-04114-0000	1	Roller Retainer Plate
-	OK61-01296-0001	1	Decal: Shroud; Right; X9 C
-	AK61-00148-0003	1	Cover with Decal Assembly: Mfg; Right; X9 D
-	0017-00101-1645	1	Hardware: Bolt
-	0017-00101-1242	1	Hardware: Phillips Pan Screw 0.75"

Brackets and Frame Assembly



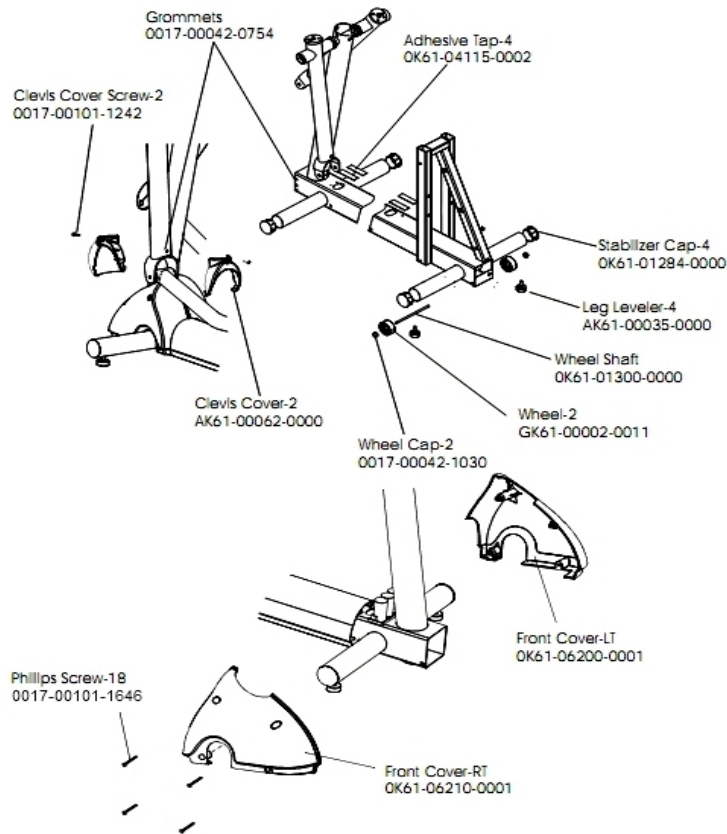
Ref #	Part Number	Qty	Description
-	AK61-00157-0003	1	Crankshaft-Assembly: Mfg. C
-	0017-00101-1608	1	Hardware: Hex Bolt
-	GK61-00002-0009	1	Kit: Serv; Printed Circuit Board-Assembly BM
-	0017-00009-1080	1	Bearing: Pillow-Block: Top; MTG-Strap B
-	OK61-06121-0004	1	NLA: COVER: EXTRUSION; LOWER; DK-GRAY S/C-D
-	0017-00103-0025	4	Hardware: Locking Nut 3/8" ID
-	0017-00104-0192	4	Hardware: Flat Washer 0.813" OD
-	GK61-00002-0044	1	Resistor Bracket Assembly
-	0017-00101-1635	1	Hardware: Hex Bolt 1"
-	0017-00101-1282	28	Hardware: TORX Screw 0.375"

Cables



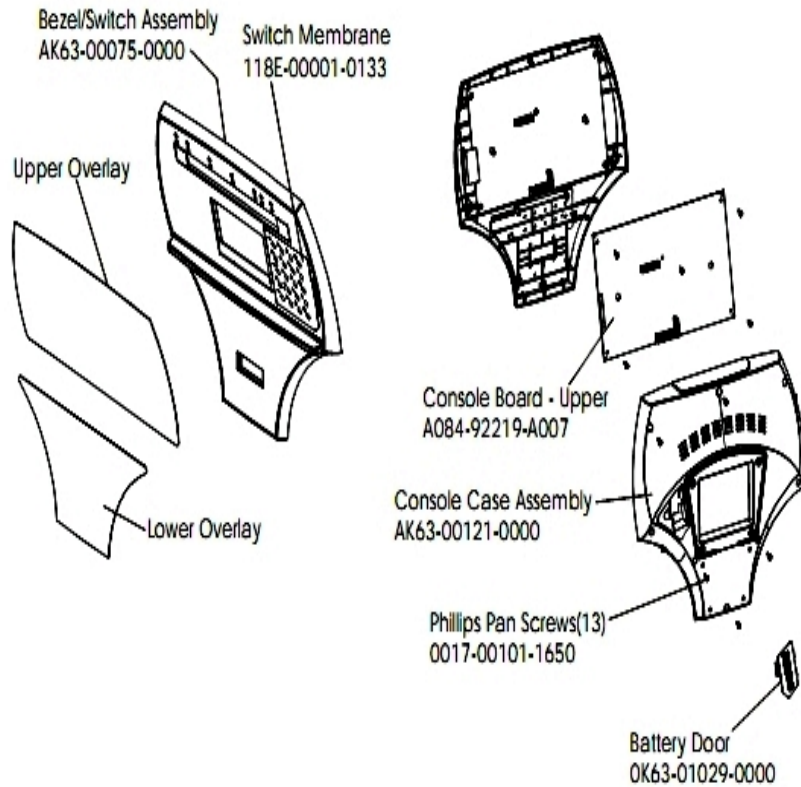
Ref #	Part Number	Qty	Description
-	AK36-00021-0003	1	Cable Assembly
-	AK61-00052-0002	1	Lifepulse Sensor Cable
-	AK61-00131-0000	1	Cable-Assembly: Power-Control; X9 D
-	AK61-00138-0000	1	Cable-Assembly: Console; X9L C

Clevis and Front Frame Covers



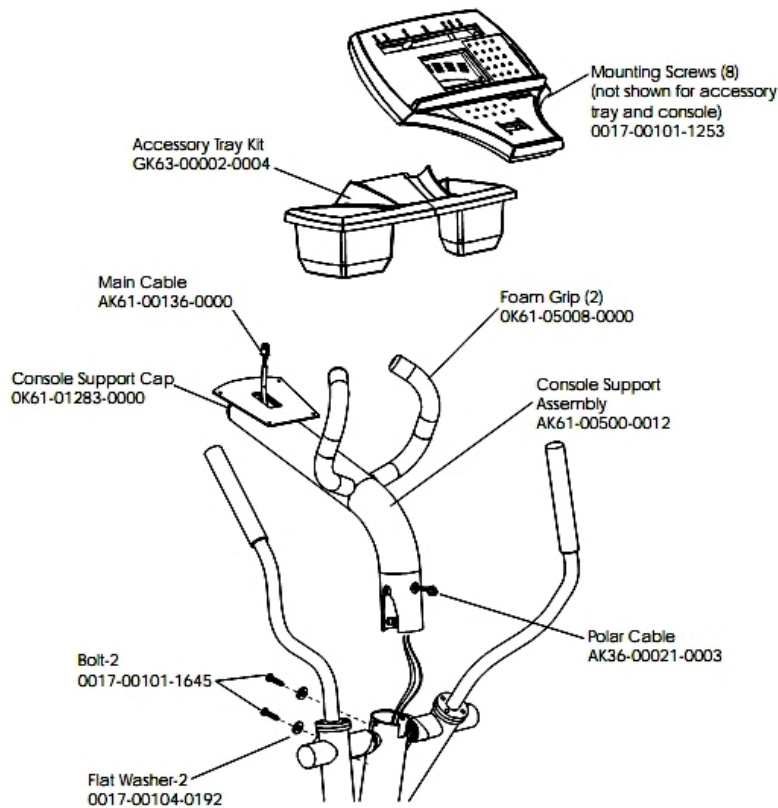
Ref #	Part Number	Qty	Description
-	0017-00101-1242	2	Hardware: Phillips Pan Screw 0.75"
-	0017-00042-0754	1	Hardware: Grommet
-	OK61-06200-0001	1	Cover: Front; Left; Console-Gray S/C-E
-	OK61-01284-0000	4	Stabilizer Cap
-	OK61-04115-0002	4	Adhesive Tape
-	AK61-00062-0000	2	Clevis Cover
-	0017-00101-1646	18	Hardware: Bolt 4.25"
-	AK61-00035-0000	4	Leg Leveler
-	0017-00042-1030	2	1" OD X 3/8" ID X5/16 NYL Space BlueR
-	OK61-06210-0001	1	Cover: Front; Right; Console-Gray E
-	GK61-00002-0011	2	Wheel and Cap Kit
-	OK61-01300-0000	1	Wheel Shaft

Console Assembly



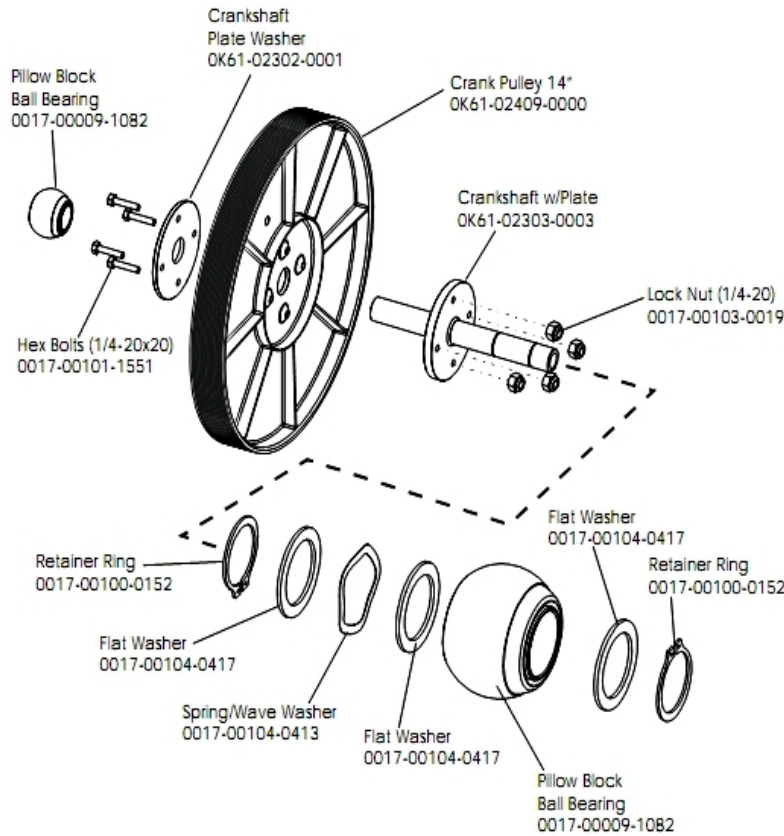
Ref #	Part Number	Qty	Description
-	A084-92219-A007	1	Programmable Console Printed Circuit Board Assembly: Mfg; Multi; X9I BM
-	OK63-01029-0000	1	Battery Door
-	AK61-00124-0001	1	Bezel/Switch with Overlay: Mfg; English; X9 D
-	118E-00001-0133	1	Switch Membrane
-	AK61-00123-0001	1	Console-Assembly: Mfg; X9i-02; English S/C-E
-	AK63-00075-0000	1	Bezel/Switch Assembly
-	0017-00101-1650	13	Hardware: Phillips Pan Screw 0.375"
-	AK63-00121-0000	1	Console Case Assembly

Console Support Assembly - Optional



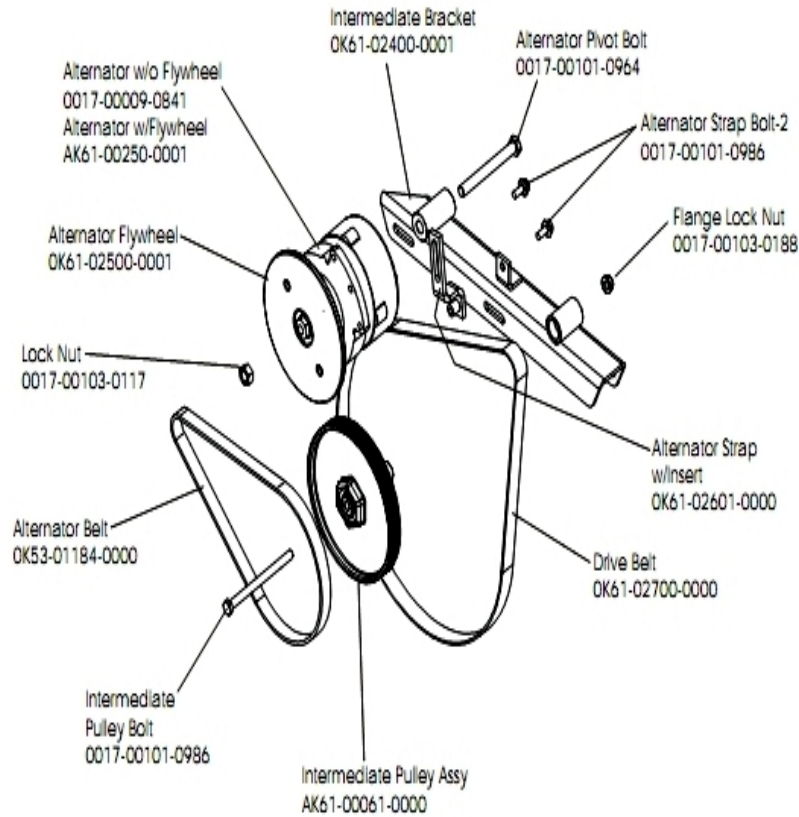
Ref #	Part Number	Qty	Description
-	0017-00101-1253	8	Hardware: Screw
-	AK61-00500-0012	1	Console Support Assembly
-	0017-00104-0192	2	Hardware: Flat Washer 0.813" OD
-	OK61-01283-0000	1	Console Support Cap
-	GK63-00002-0004	1	Accessory Tray
-	AK36-00021-0003	1	Cable Assembly
-	AK61-00136-0000	1	Main Cable
-	0017-00101-1645	2	Hardware: Bolt
-	OK61-05008-0000	2	Foam Grip

Crankshaft Exploded View



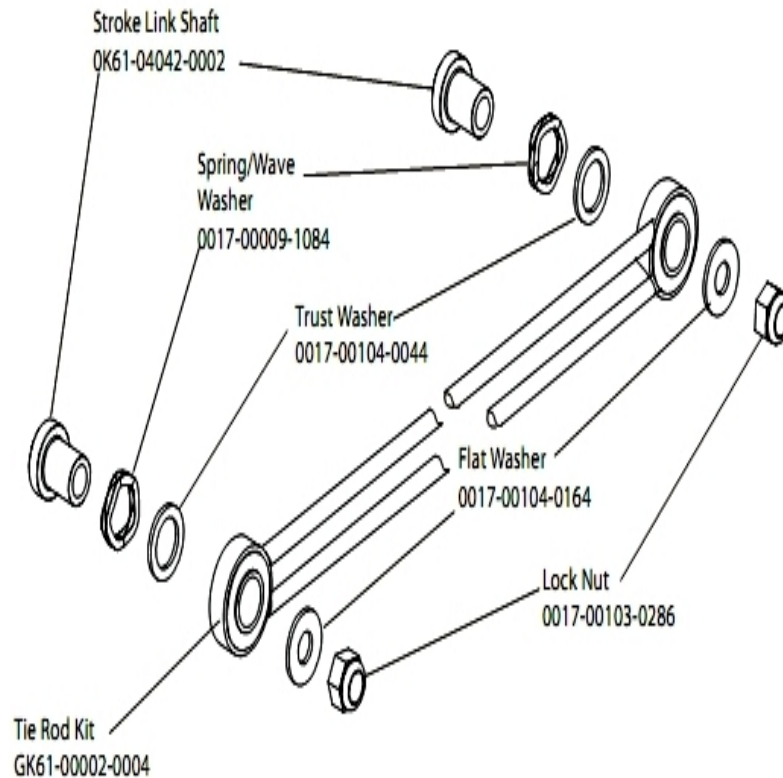
Ref #	Part Number	Qty	Description
-	0017-00103-0019	1	Hardware: Locking Nut 1/4" ID
-	0017-00104-0413	1	Hardware: Washer 109-1.37-078 SP-D ST NO B
-	0017-00104-0417	3	Hardware: Flat Washer
-	OK61-02409-0000	1	Poly-V Crank Pulley
-	AK61-00157-0003	1	Crankshaft-Assembly: Mfg. C
-	0017-00101-1551	1	Hardware: Hex Bolt 1.25"
-	0017-00009-1082	2	Pillow-Block: Bearing; Ball B
-	OK61-01360-0003	1	Crankshaft: with Plate C
-	OK61-02302-0001	1	Crankshaft Plate
-	0017-00100-0152	2	Hardware: Retaining Ring 1"

Drive Belts and Alternator



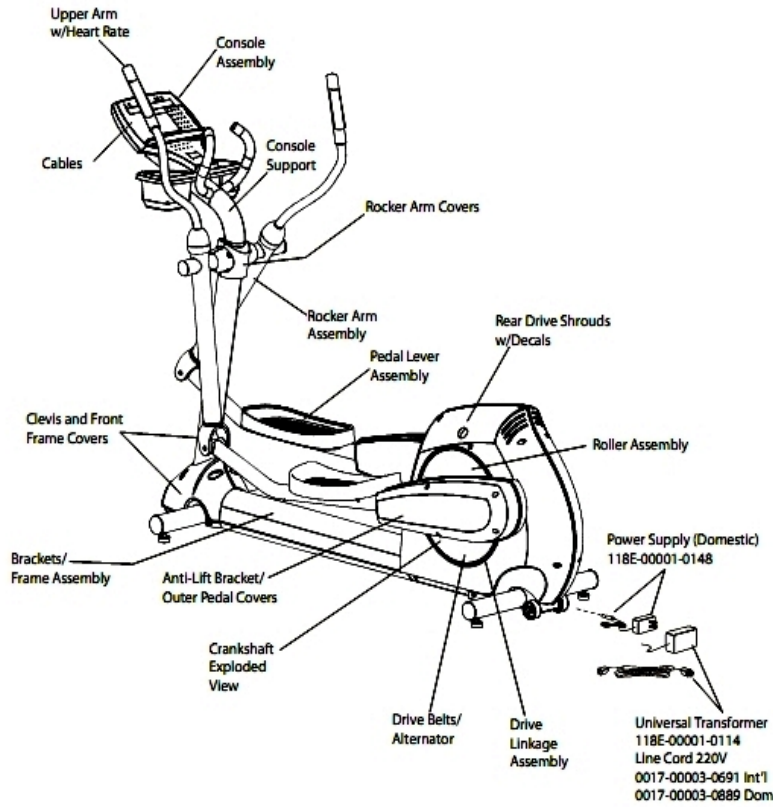
Ref #	Part Number	Qty	Description
-	OK53-01447-0000	1	Belt: Poly-V; 32"
-	0017-00101-0964	1	Hardware: Alternator Pivot Bolt 4.5"
-	GK61-00002-0056	1	KIT: CROSS TRAINER BELT AND PULLEY
-	OK61-01027-0000	1	Flywheel: 6.75" D
-	0017-00009-0841	1	Alternator
-	AK61-00061-0000	1	Intermediate Pulley Assembly
-	OK61-02400-0001	1	Intermediate Bracket
-	0017-00103-0188	1	Hardware: Flange Lock Nut 3/8" ID
-	OK61-02601-0000	1	Alternator Strap with Insert
-	0017-00101-0986	3	Hardware: Bolt 0.75"
-	0017-00103-0117	1	Hardware: Locking Nut 1/2" ID
-	AK61-00250-0001	1	Alternator w/Flywheel

Drive Linkage Assembly



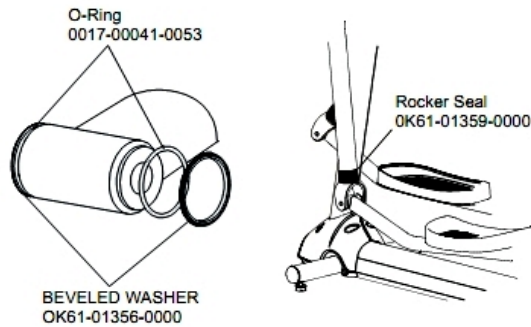
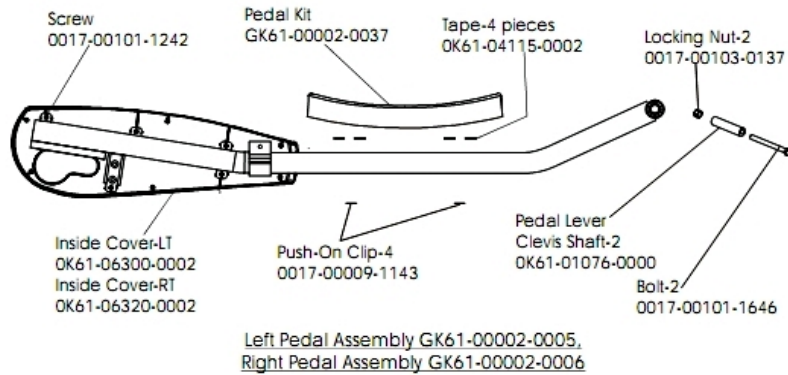
Ref #	Part Number	Qty	Description
-	OK61-04042-0002	1	Shaft: Stroke-Link B
-	0017-00009-1084	1	Wave Spring
-	0017-00104-0044	1	Hardware: Washer 0.75" OD
-	GK61-00002-0004	1	Kit: Serv; Tie-Rod BM
-	0017-00103-0286	1	Hardware: Locking Nut
-	0017-00104-0164	1	Hardware: Washer 0.75" OD

General Assembly



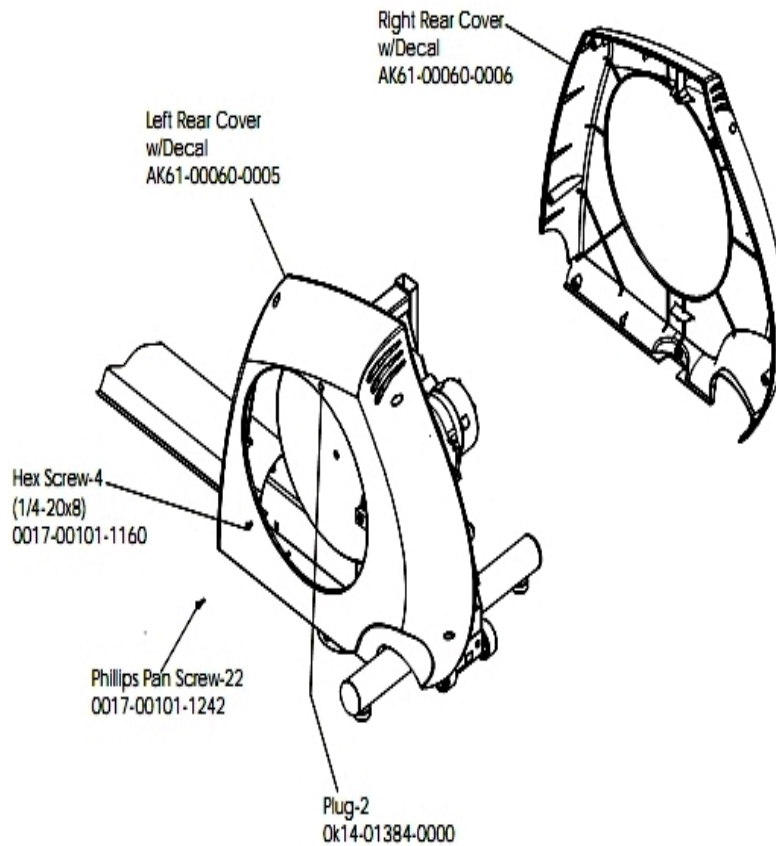
Ref #	Part Number	Qty	Description
-	0017-00003-0889	1	Line Cord Cont U.K. 10A
-	AK40-00045-0003	1	Chest Strap - Small
-	118E-00001-0267	3	Power Supply: External; 9V; 3 AMP
-	AK40-00045-0004	1	Chest Strap - Large
-	AK61-00050-0001	1	Hardware Kit
-	SK40-00045-0002	1	Chest Strap - Small

Pedal Lever Assembly



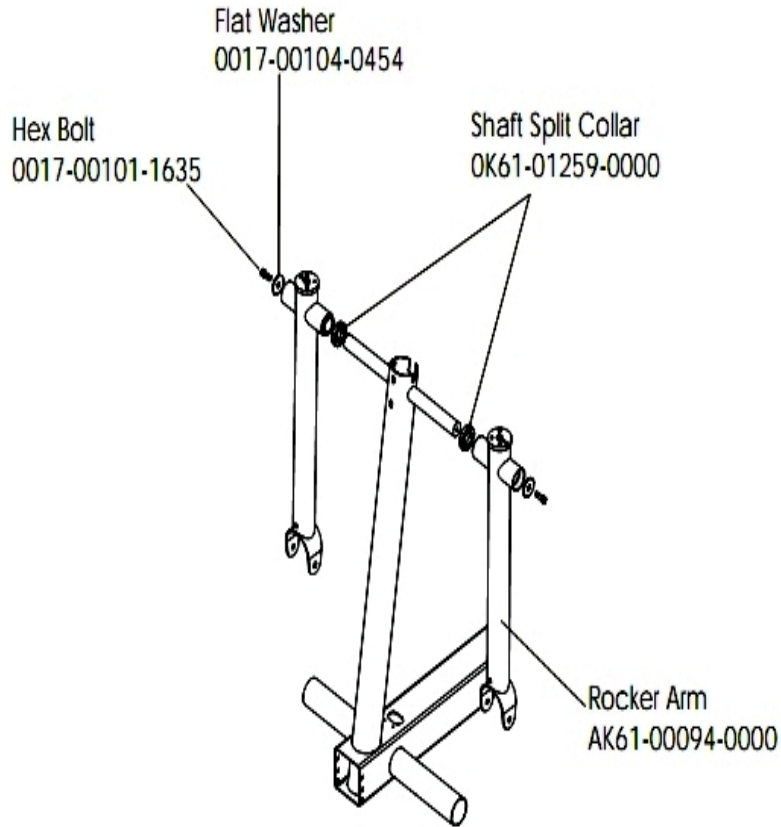
Ref #	Part Number	Qty	Description
-	0017-00101-1646	2	Hardware: Bolt 4.25"
-	GK61-00002-0006	1	Right Pedal Assembly
-	OK61-04115-0002	1	Adhesive Tape
-	OK61-06320-0002	1	Cover: Link; Right; Inside; Dark-Gray S/C-D
-	0017-00041-0053	1	Viton O-ring
-	OK61-01076-0000	2	Pedal Lever Clevis Shaft
-	OK61-01356-0000	1	Hardware: Beveled Washer
-	OK61-01359-0000	1	Rocker Seal
-	OK61-06300-0002	1	Cover: Link; Left; Inside; Dark-Gray S/C-D
-	GK61-00002-0005	1	Left Pedal Assembly
-	0017-00101-1242	1	Hardware: Phillips Pan Screw 0.75"
-	0017-00009-1143	4	Clip
-	0017-00103-0137	2	Hardware: Locking Nut 3/8" ID
-	GK61-00002-0037	1	Pedal Kit

Rear Drive Shrouds with Decals



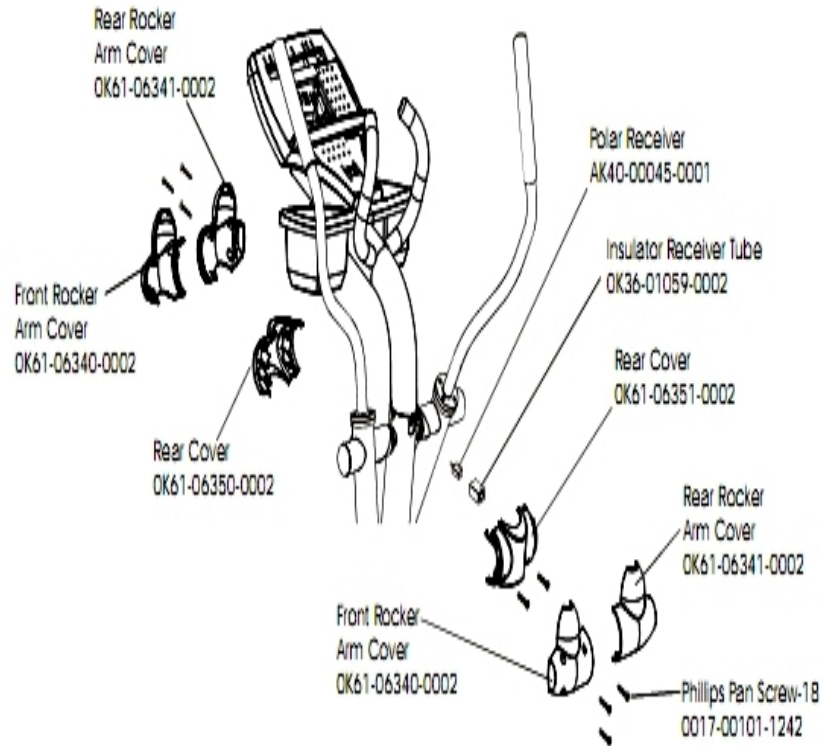
Ref #	Part Number	Qty	Description
-	0017-00101-1242	22	Hardware: Phillips Pan Screw 0.75"
-	AK61-00060-0005	1	Rear-Cover with Decal Assembly: Mfg; Left; S/C-C
-	AK61-00060-0006	1	Rear-Cover with Decal Assembly: Mfg; Right; S/C-C
-	0K14-01384-0000	2	Plug
-	0017-00101-1160	1	Hardware: Hex Screw

Rocker Arm Assembly



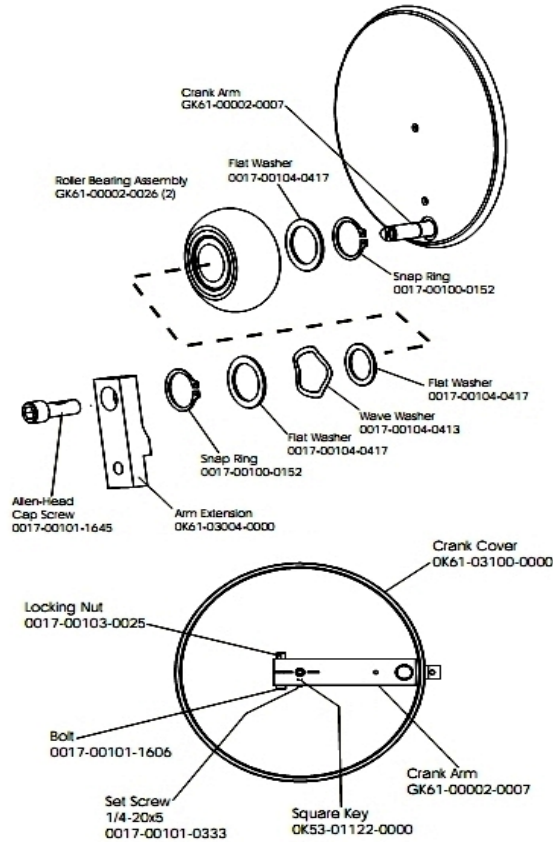
Ref #	Part Number	Qty	Description
-	OK61-01259-0000	1	Shaft Split Collar
-	0017-00101-1635	1	Hardware: Hex Bolt 1"
-	0017-00104-0454	1	Hardware: Flat Washer 1.62" OD
-	AK61-00094-0002	1	Rocker Arm

Rocker Arm Covers



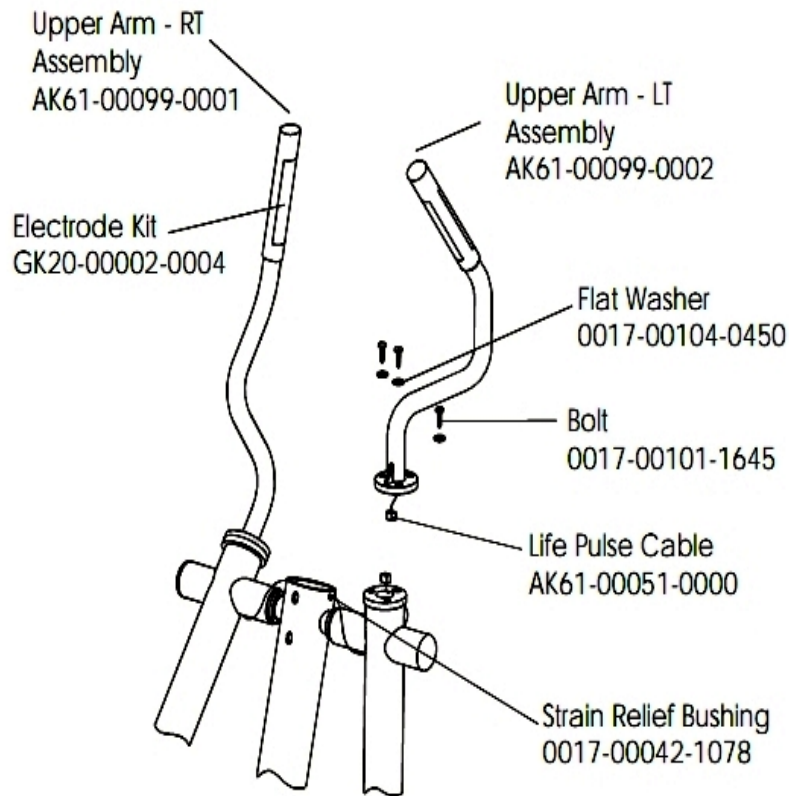
Ref #	Part Number	Qty	Description
-	OK36-01059-0002	1	Insulator Receiver Tube
-	0017-00101-1242	18	Hardware: Phillips Pan Screw 0.75"
-	OK61-06350-0002	1	Front Cover
-	SK40-00045-0001	1	Polar HR Kit
-	OK61-06341-0002	2	Rear Boot Cover
-	OK61-06340-0002	2	Front Boot Cover
-	OK61-06351-0002	1	Rear Cover

Roller Assembly



Ref #	Part Number	Qty	Description
-	0017-00101-1645	1	Hardware: Bolt
-	0017-00101-0333	1	Hardware: Screw 0.3125"
-	GK61-00002-0026	2	Roller
-	0K61-03100-0000	1	Crank Cover
-	GK61-00002-0007	2	Kit: Serv; Crank-Arm BM
-	0K53-01122-0000	1	Square Key
-	0017-00101-1606	1	Hardware: Hex Bolt 2.5"
-	0017-00100-0152	2	Hardware: Retaining Ring 1"
-	0K61-03004-0000	1	Arm Extension
-	0017-00103-0025	1	Hardware: Locking Nut 3/8" ID
-	0017-00104-0413	1	Hardware: Washer 109-1.37-078 SP-D ST NO B
-	0017-00104-0417	3	Hardware: Flat Washer

Upper Arm and Heart Rate Assembly



Ref #	Part Number	Qty	Description
-	GK20-00002-0004	1	Heart Rate Electrode Kit
-	AK61-00099-0001	1	Upper Arm Assembly: Right
-	0017-00104-0450	1	Hardware: Flat Washer 0.67" OD
-	0017-00101-1645	1	Hardware: Bolt
-	AK61-00099-0002	1	Upper Arm Assembly: Left
-	0017-00042-1078	1	Hardware: Bushing
-	AK61-00051-0000	1	Bullhorn HR cables

