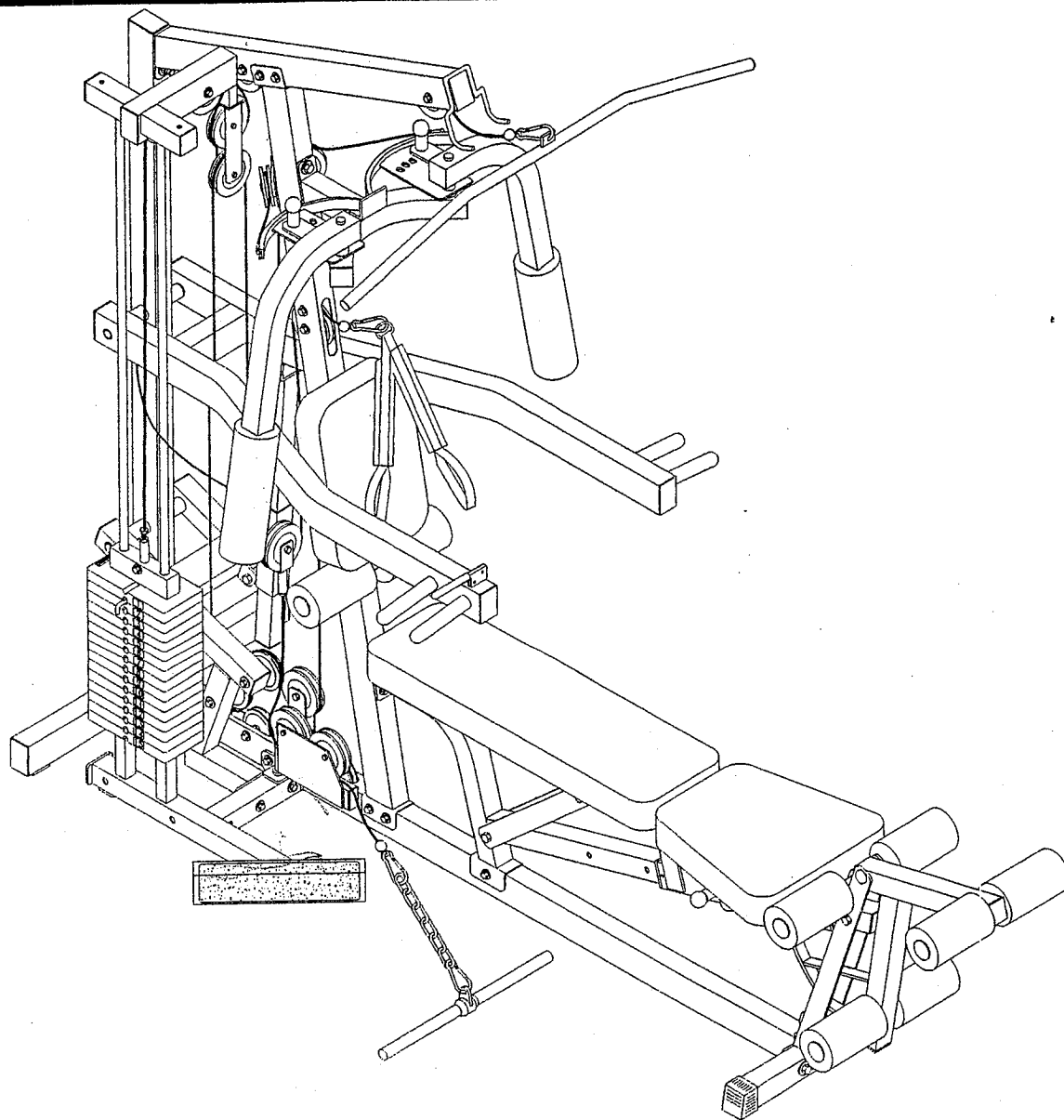


# PARABODY

## *Serious Steel*

400102 HOME GYM

---



---

## ASSEMBLY INSTRUCTIONS

## IMPORTANT NOTES

WELCOME TO THE WORLD OF  **Serious steel!**

**Please note:**

- \* Thank you for purchasing the Parabody 400102 Home Gym. Please read these instructions thoroughly and keep them for future reference. This product must be assembled on a flat, level surface to assure its proper function.
- \* We recommend cleaning your product (pads and frame) on a regular basis, using warm soapy water. Touch-up paint can be purchased from your Parabody customer service representative at (800) 328-9714.

There is a risk assumed by individuals who use this type of equipment. To minimize risk, please follow these rules:

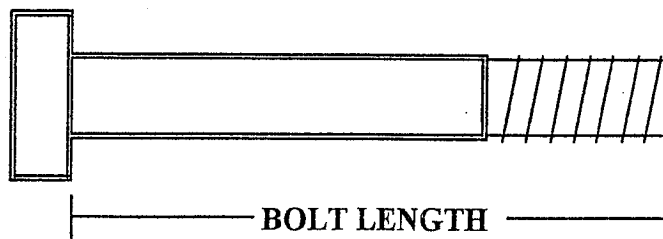
1. Inspect equipment daily. Tighten all loose connections and replace worn parts immediately. Failure to do so may result in serious injury.
2. Do not allow minors or children to play on or around this equipment.
3. Exercise with care to avoid injury.
4. If unsure of proper use of equipment, call your local Parabody distributor or call the Parabody customer service department at (800) 328-9714.
5. Consult your physician before beginning any exercise program.

### Tools Required for Assembly

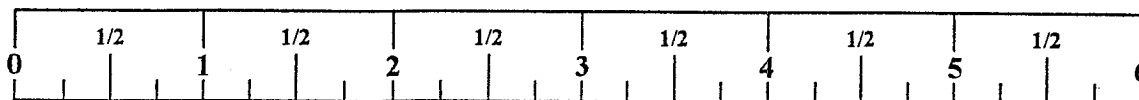
- \* Rubber mallet or hammer
- \* 3/4" wrench
- \* 9/16" wrench
- \* Ratchet with 3/4" and 9/16" sockets
- \* 5/32" Allen wrench
- \* Adjustable wrench
- \* Tape measure

### Bolt Length Ruler

**NOTE: BOLT LENGTH IS MEASURED FROM THE UNDERSIDE OF THE HEAD OF THE BOLT.**

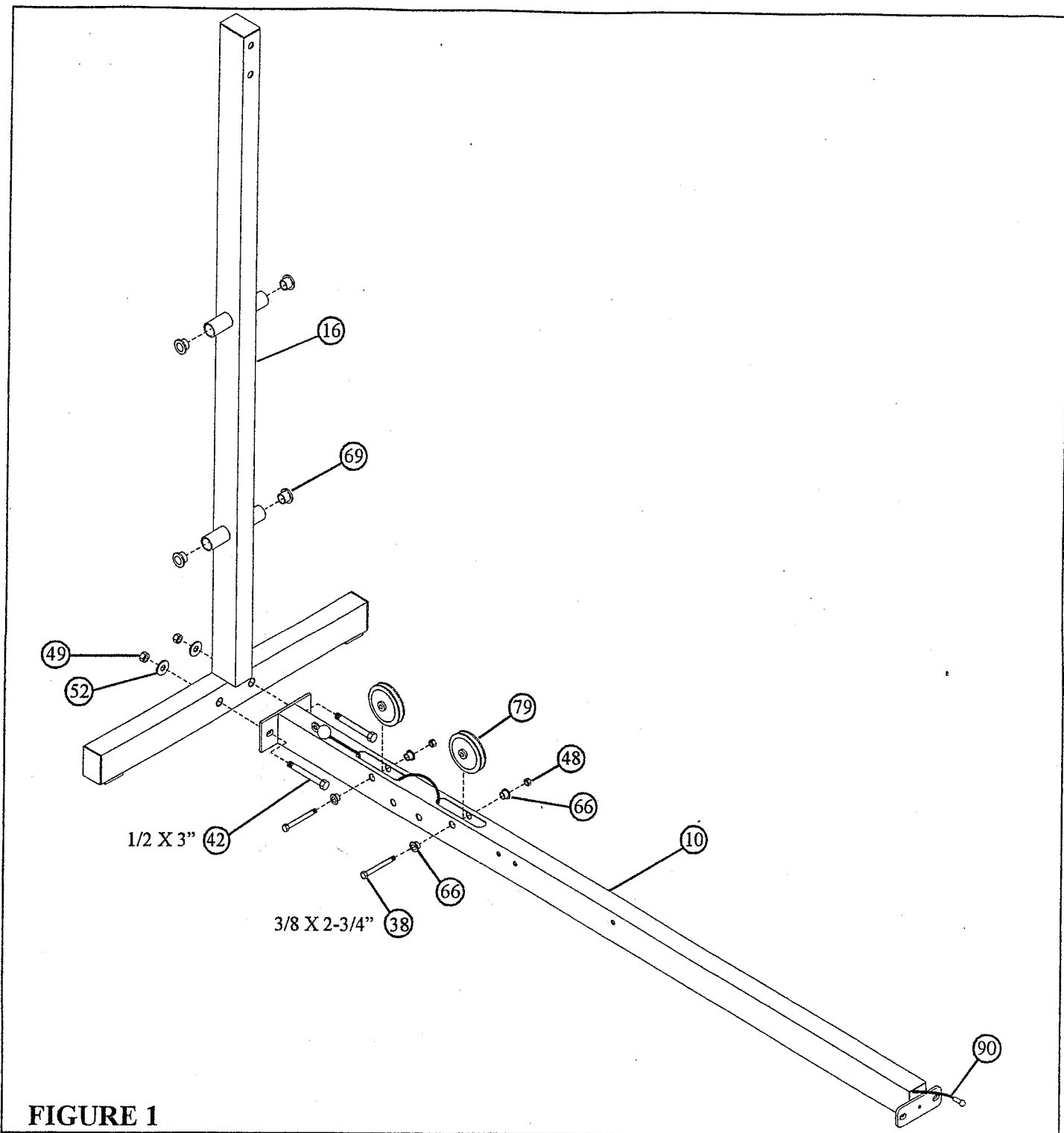


**BOLT LENGTH RULER:**



# PARTS LIST

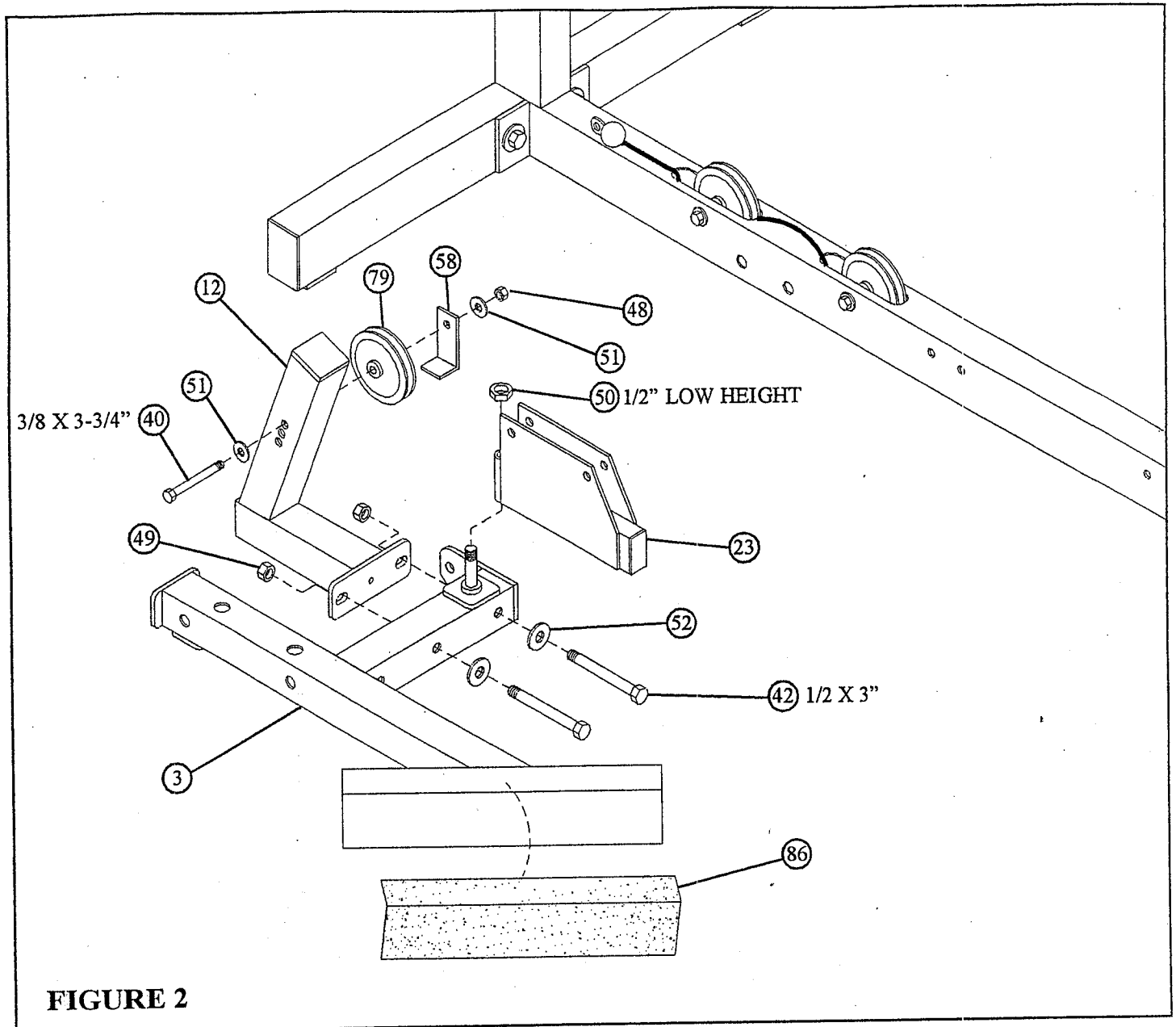
KEY	PART #	DESCRIPTION	QTY	KEY	PART #	DESCRIPTION	QTY
1	6874903	FRAME SUPPORT	1	52	3102502	1/2" WASHER	14
2	6683302	WOLFF SLEEVE	1	53	3102503	3/4" WASHER	2
3	6682803	WEIGHT STACK BASE	1	54	3109602	PAL NUT	1
4	6832203	LEG CURL/EXTENSION	1	55	6686301	1/2" DIA U-PIN	1
5	6686802	PULLEY BRACKET	1	56	6075906	CHAIN	1
6	6679503	ADJUSTMENT SLIDE	1	57	6214401	WEIGHT STACK PIN	1
7	6678603	TOP BOOM	1	58	6533501	CABLE RETAINING CLIP	5
8	6683103	PRESS ARM	1	59	6321201	CONTROL LEVER	1
9	6680402	PRESS ARM LEVER	1	60	3119201	8-32 X 3/16" SCREW	2
10	6682103	BASE	1	61	3226301	3/8" JOINT CONNECTOR CAP	2
11	6682503	FRONT UPRIGHT	1	62	3117901	E-RING	1
12	6681303	LEVER STOP	1	63	3114407	#10 FLAT WASHER	2
13	6680202	RECEIVING TUBE	1	64	3118401	4" VINYL CAP	1
14	6874502	BACK PAD SUPPORT	1	65	3106803	5/16" SET SCREW	4
15	6874603	LEG SUPPORT	1	66	6480301	3/8" FLANGE SPACER	14
16	6680903	REAR UPRIGHT	1	67	6020601	1/2" FLANGE BEARING	6
17	6680803	BEARING HOUSING	1	68	6019701	3/4" THRUST BEARING	2
18	6681902	PLATE, 1/4 X 2 X 16-1/2"	2	69	3104901	3/4" FLANGE BEARING	8
19	6532903	PEC ARM RIGHT	1	70	6416601	1-3/4 X 3/4" PARAGLIDE	1
20	6532803	PEC ARM LEFT	1	71	6412001	SPRING PIN ASSEMBLY	3
21	6530203	CENTER PULLEY BRACKET	1	72	3103801	5/16" DIA SNAP LINK	4
22	6594702	FLOATING PULLEY	2	73	3105401	STARLOCK COLLAR	10
23	6624402	SWIVEL PULLEY BRACKET	1	74	6214501	WEIGHT PLATE	15
24	6529702	PEC CAM	2	75	6692601	3 X 2" END CAP	2
25	6275302	LAT BAR	1	76	6405201	2" SQ. END CAP	2
26	6654302	33-1/2 X 9-1/2" BACK SEAT PAD	1	77	6236701	1-3/4" SQ END CAP	1
27	6597402	15-1/2 X 10-1/2" PEC SEAT PAD	1	78	6406401	HINGE TAB	2
28	6681502	15-3/4 X 15-1/2" LEG SEAT PAD	1	79	3116201	3-1/2" PULLEY	19
29	6690901	3/4 DIA X 11" SHAFT	2	80	6266001	WEIGHT STACK SHAFT	1
30	6125102	3/4 OD X 16" TUBE	3	81	6714601	HEAD PLATE	1
31	6194601	4 X 7" ROLLER PAD	8	82	6375801	STRAP AB CRUNCH	1
32	6176201	PEC DEC ROLLER PAD	2	83	6389701	LOW ROW BAR	1
33	6523401	3/4 X 72-3/8" GUIDE ROD	2	84	6409101	STRAP ANKLE	1
34	6375902	WEIGHT STACK SPACER	2	85	3116001	1-1/4" BUMPER RUBBER	1
35	3102909	3/8 X 1" BOLT	4	86	6270501	4 X 14" NON-SKID	1
36	3102924	3/8 X 1-3/4" BOLT	8	87	6140701	1 X 1" GLIDE	4
37	3102933	3/8 X 2" BOLT	4	88	3108002	WEIGHT STACK CUSHION	2
38	3102922	3/8 X 2-3/4" BOLT	10	89	3117401	CAP PLUG	2
39	3102904	3/8 X 3" BOLT	6	90	6873801	227-5/8" LEG EXT CABLE	1
40	3102905	3/8 X 3-3/4" BOLT	2	91	6687201	72-1/4" AB CABLE	1
41	3102906	3/8 X 4" BOLT	4	92	6687001	103-1/2" LAT CABLE	1
42	3102910	1/2 X 3" BOLT	10	93	6535601	77-5/8" PEC DEC CABLE	1
43	3102943	1/2 X 3-1/2" BOLT	3	94	6189501	WEIGHT STACK LABELS	1
44	3102917	1/2 X 4" BOLT	2	95	6145801	THUMBSCREW	1
45	3102937	1/2 X 4-1/2" BOLT	2	96	6382301	WEIGHT PLATE BUSHING 10CT	3
46	3102901	3/8 X 1-1/4" BOLT	1	97	6866601	BOLT COVER CAP	2
47	3102949	1/2 X 5-1/2" BOLT	2	98	6866801	BOLT COVER WASHER	2
48	3102802	3/8" LOCK NUT	29	99	6122702	3/8" X 1/2" SPACER	2
49	3102801	1/2" LOCK NUT	10	100	6427101	KEYHOLE CLEVIS	1
50	3102804	1/2" LOW HT. NYLOCK NUT	8				
51	3102501	3/8" WASHER	30				



**FIGURE 1**

**STEP 1**

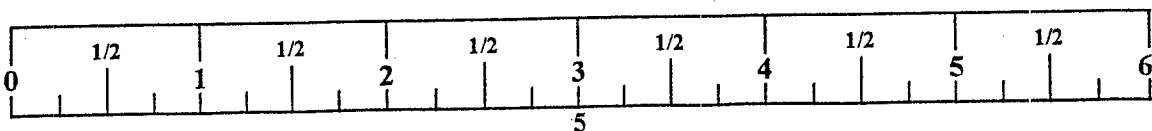
- Securely assemble REAR UPRIGHT (16) to BASE (10) using two 1/2 X 3" BOLTS (42), two 1/2" WASHERS (52), and two 1/2" LOCKNUTS (49).
- Slide LEG EXT. CABLE ASSEMBLY (90) through openings in BASE (10) as shown in FIGURE 1.
- Securely assemble two 3-1/2" PULLEYS (79) into BASE (10) using two 3/8 X 2-3/4" BOLTS (38), four 3/8" FLANGE SPACERS (66), and two 3/8" LOCKNUTS (48). (NOTE: Make sure LEG EXT. CABLE ASSEMBLY (90) is routed under PULLEYS and BOLTS.)
- Slide LEG EXT. CABLE ASSEMBLY (90) through the opening in the end of the BASE (10) as shown in FIGURE 1.
- Insert four 3/4" FLANGE BEARINGS (69) into tubes on REAR UPRIGHT (16) as shown in FIGURE 1

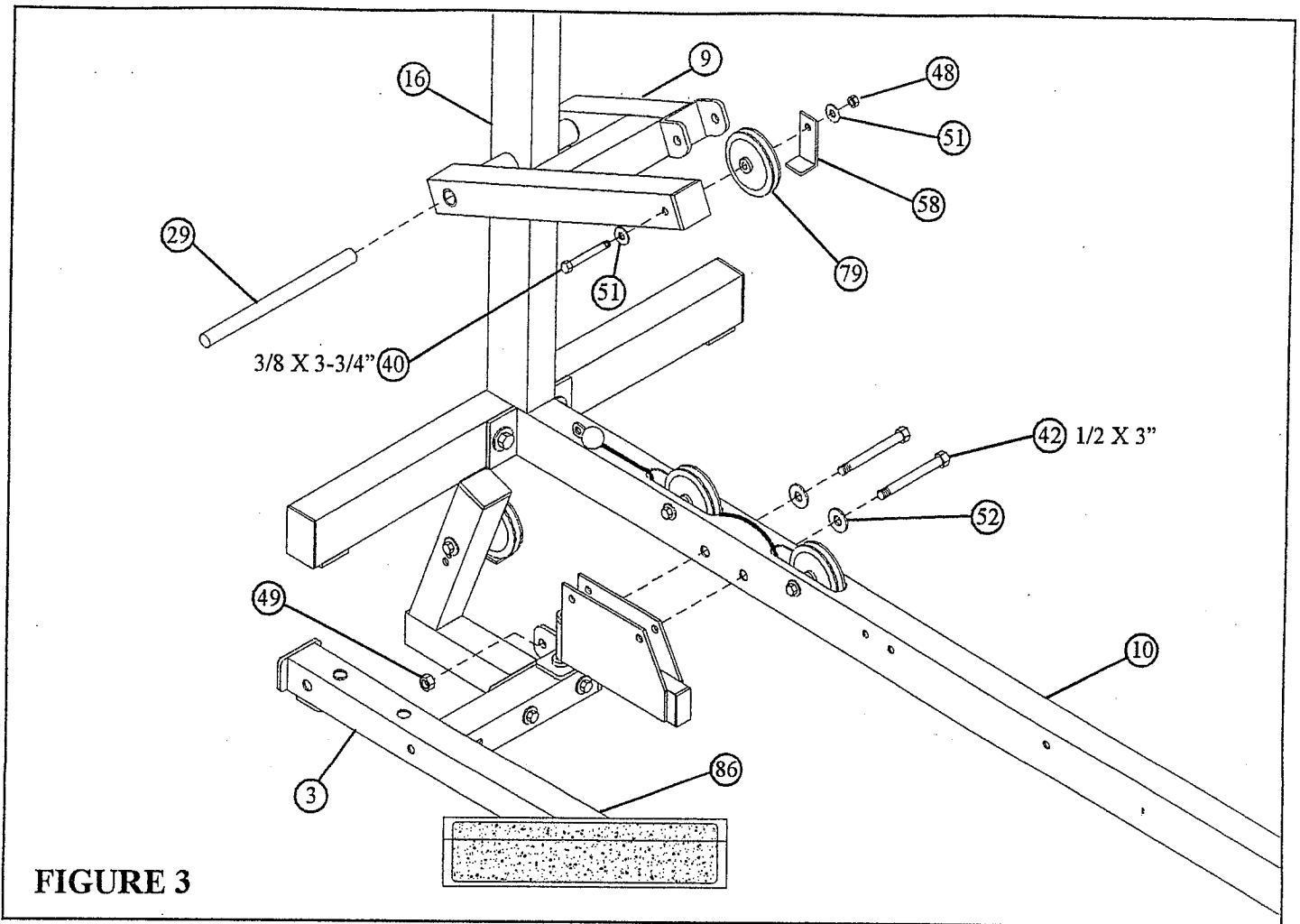


**FIGURE 2**

**STEP 2**

- Securely assemble one 3-1/2" PULLEY (79) to the top hole of the LEVER STOP (12) using one 3/8 X 3-3/4" BOLT (40), two 3/8" WASHERS (51), one 2-3/8" RETAINING CLIP (58), and one 3/8" LOCKNUT (48). The extra holes in the LEVER STOP (12) are to be used for cable adjustment.
- Securely attach LEVER STOP (12) to WEIGHT STACK BASE (3) using two 1/2 X 3" BOLTS (42), two 1/2" WASHERS (52), and two 1/2" LOCKNUTS (49).
- Attach SWIVEL PULLEY BRACKET (23) to the WEIGHT STACK BASE (3) using one 1/2" LOW HEIGHT LOCKNUT (50). (NOTE: Securely tighten, then back nut off 1/4 turn to allow the SWIVEL PULLEY BRACKET (23) to rotate freely.)
- Center 4 X 14" NON SKID STRIP (86) on WEIGHT STACK BASE (3) as shown in FIGURE 2.





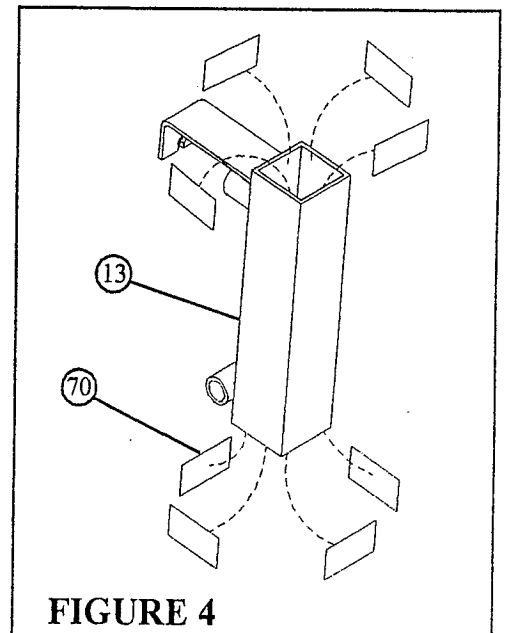
**FIGURE 3**

**STEP 3**

- Securely attach WEIGHT STACK BASE (3) to BASE (10) using two 1/2 X 3" BOLTS (42), two 1/2" WASHERS (52), and one 1/2" LOCKNUT (49).
- Slide one 3/4 DIA X 11" SHAFT (29) through PRESS ARM LEVER (9) & tube on REAR UPRIGHT (16). See FIGURE 3.
- Securely assemble one 3-1/2" PULLEY (79) to PRESS ARM LEVER (9) using one 3/8 X 3-3/4" BOLT (40), two 3/8" WASHERS (51), one 2-3/8" RETAINING CLIP (58), and one 3/8" LOCKNUT (48).

**STEP 4**

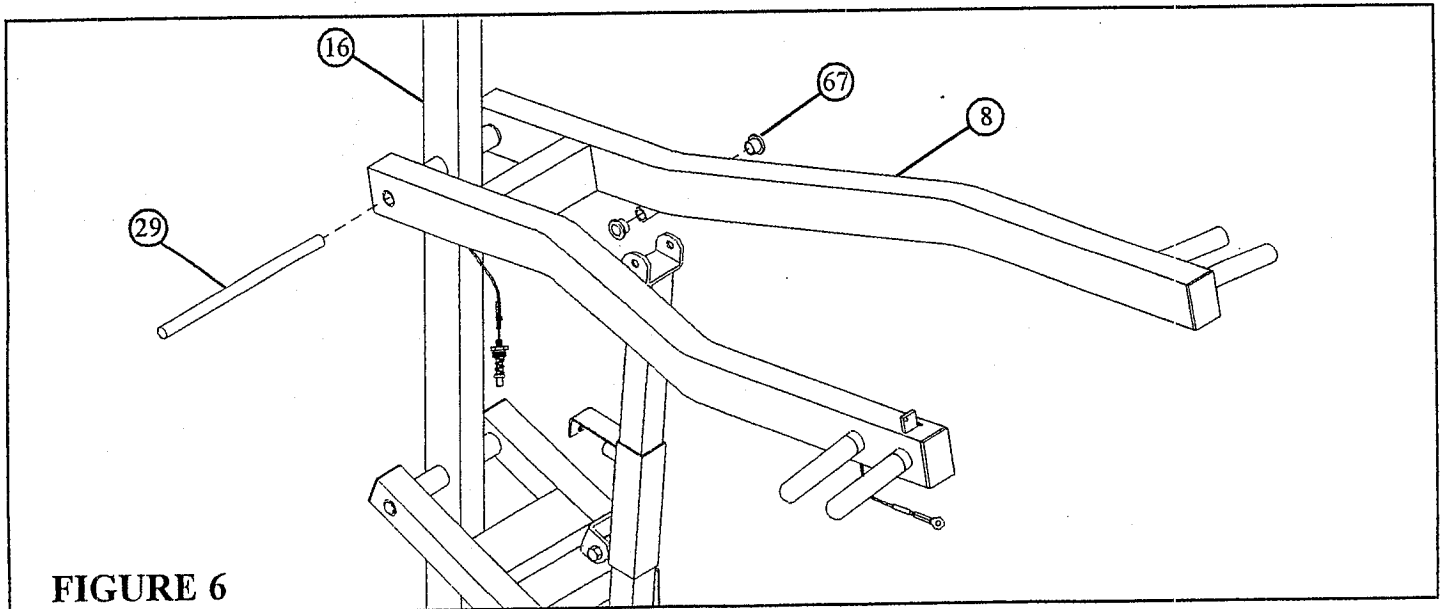
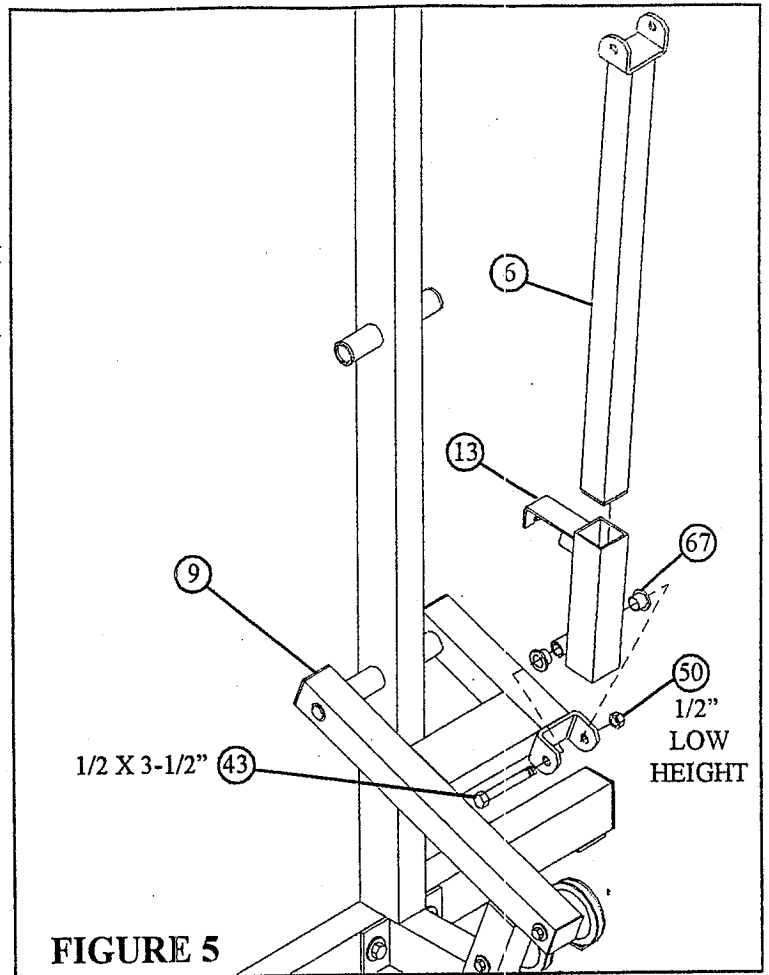
- Apply eight 1-3/4 x 3/4" PARAGLIDES (70) to the INSIDE of RECEIVING TUBE (13) as shown in FIGURE 4. (NOTE: Thoroughly clean the inside surface before attaching PARAGLIDES.)



**FIGURE 4**

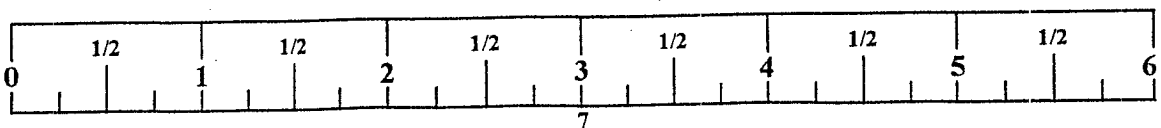
### STEP 5

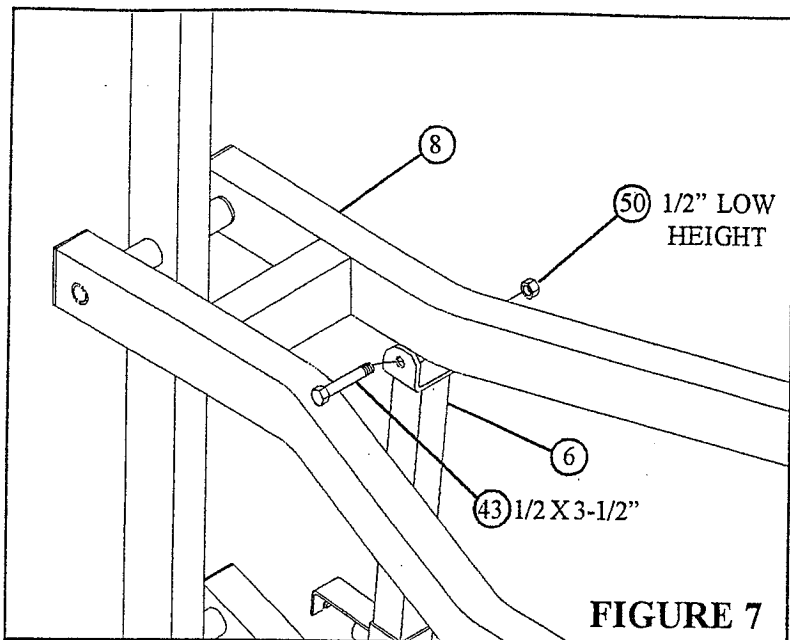
- Insert two 1/2" FLANGE BEARINGS (67) into RECEIVING TUBE (13).
- Attach RECEIVING TUBE (13) to PRESS ARM LEVER (9) using one 1/2 X 3-1/2" BOLT (43), and 1/2" LOW HEIGHT LOCKNUT (50). (NOTE: Securely tighten, then back nut off 1/4 turn to allow the RECEIVING TUBE (13) to rotate freely.)
- Insert the ADJUSTMENT TUBE (6) into the RECEIVING TUBE (13) as shown in FIGURE 5.



### STEP 6

- Slide one 3/4 DIA X 11" SHAFT (29) through PRESS ARM (8) & tube on REAR UPRIGHT (16). See FIGURE 6.
- Insert two 1/2" FLANGE BEARINGS (67) into PRESS ARM (8).



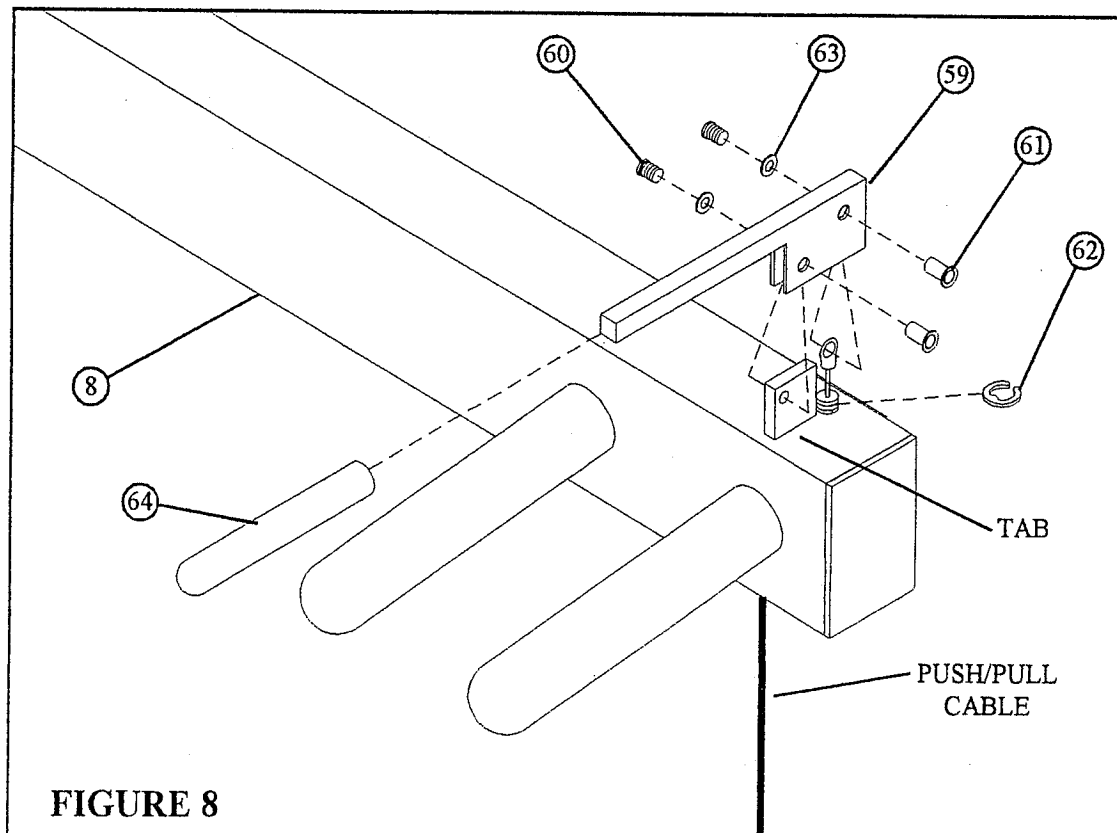


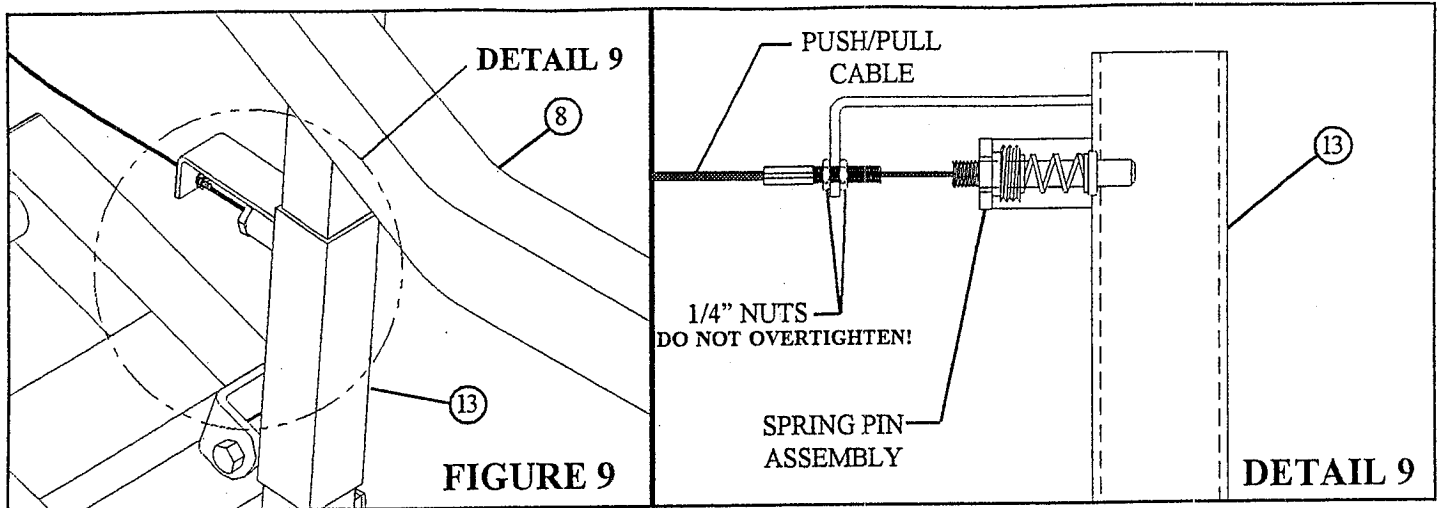
**STEP 7**

- Attach ADJUSTMENT SLIDE (6) to PRESS ARM (8) using one 1/2 X 3-1/2" BOLT (43), and 1/2" LOW HEIGHT LOCKNUT (50). (NOTE: Securely tighten, then back nut off 1/4 turn to allow the PRESS ARM (8) to rotate freely.)

**STEP 8**

- Insert the PUSH/PULL CABLE through the bottom of the PRESS ARM (8) up to the CONTROL LEVER (59) and hold in place with one E-RING (62) as shown in FIGURE 8.
- Securely assemble the PUSH/PULL CABLE to the CONTROL LEVER (59) using one 3/8 IN. JOINT CONNECTOR CAP (61), one #10 FLAT WASHER (63), and one 8-32 X 3/16 IN. SCREW (60) as shown in FIGURE 8.
- Slide one 4" VINYL SLEEVE (64) over the CONTROL LEVER (59). Then SECURELY assemble the CONTROL LEVER (59) to the TAB on the PRESS ARM (8) using one 3/8" JOINT CONNECTOR CAP (61), one #10 FLAT WASHER (63), and one 8-32 X 3/16 IN. SCREW (60) as shown in FIGURE 8.





### STEP 9

Assemble the PUSH/PULL CABLE from the PRESS ARM (8) to the SPRING PIN HOUSING and to the L-BRACKET on the RECEIVING TUBE (13) as shown on FIGURE 9 and DETAIL 9 using the following steps:

- Thread the first 1/4-28 IN. NUT to the bottom of the threaded end of the CABLE. Allow the other 1/4-28 IN. NUT to hang loose on the exposed CABLE until the SPRING PIN ASSEMBLY is attached.
- Securely assemble the SPRING PIN ASSEMBLY to the SPRING PIN BARREL. (!!! IMPORTANT !!! TIGHTEN THE NUT OF THE SPRING PIN ASSEMBLY SECURELY)
- Swing the PRESS ARM (8) up until the SPRING PIN of the PUSH/PULL CABLE engages in one of the adjustment holes.
- Thread the second 1/4-28 IN. NUT onto the threaded end of the CABLE, and cinch the two 1/4-28 IN. NUTS around the flat.
- Use the extra thread on the end of the CABLE to adjust out slack. ( !!! DO NOT ADJUST OUT TO FAR !!! ALWAYS ALLOW SPRING PIN ASSEMBLY TO FULLY ENGAGE)

### STEP 10

- Securely tighten two 5/32" SET SCREWS (65) and insert two 3 X 2" END CAPS (75) into the open ends of PRESS ARM (8) as shown in FIGURE 10.
- Securely tighten two 5/32" SET SCREWS (65) and insert two 2" SQ. END CAPS (76) into the open ends of PRESS ARM LEVER (9) as shown in FIGURE 10.
- Securely tighten one 3/8 X 1" BOLT (35), one 3/8" WASHER (51), and one 3/8" LOCKNUT (48) to the bottom of ADJUSTMENT SLIDE (6) as shown in FIGURE 10.
- Insert one 1-3/4" SQ. END CAP (77) into the end of ADJUSTMENT SLIDE (6) as shown in FIGURE 10.

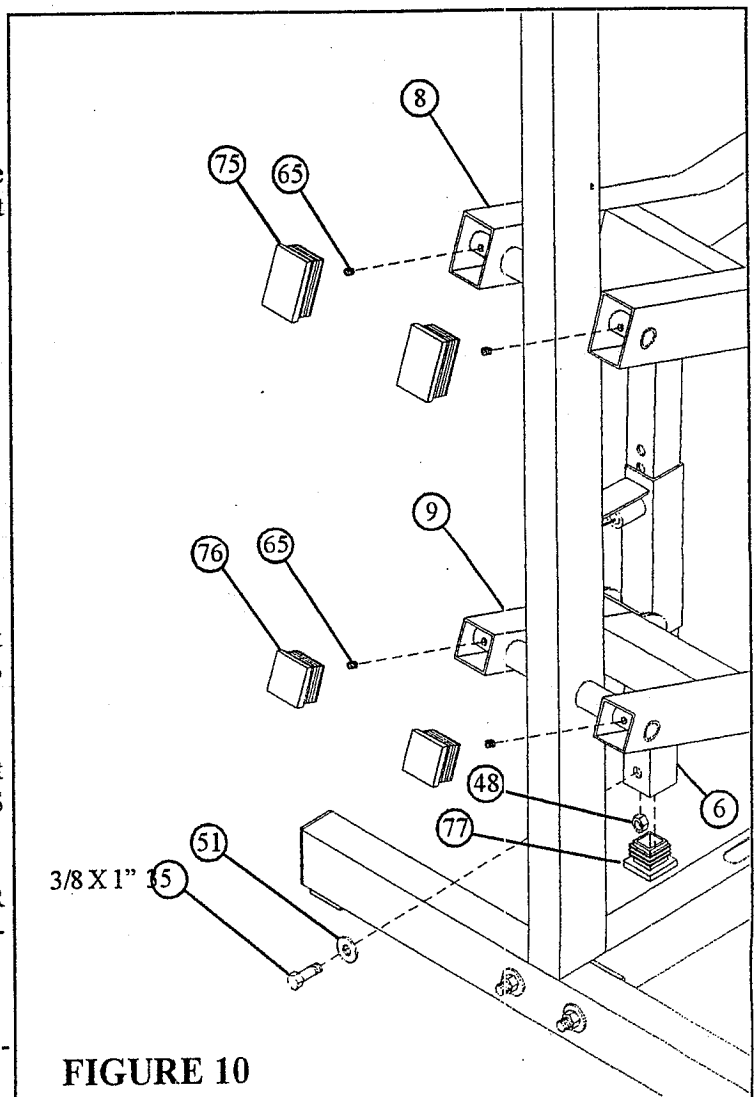
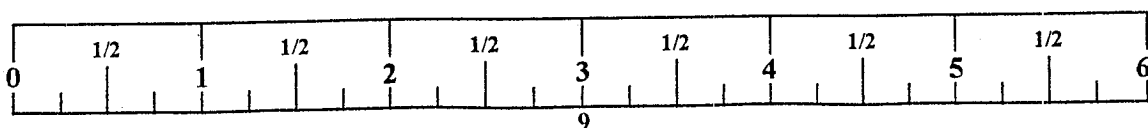
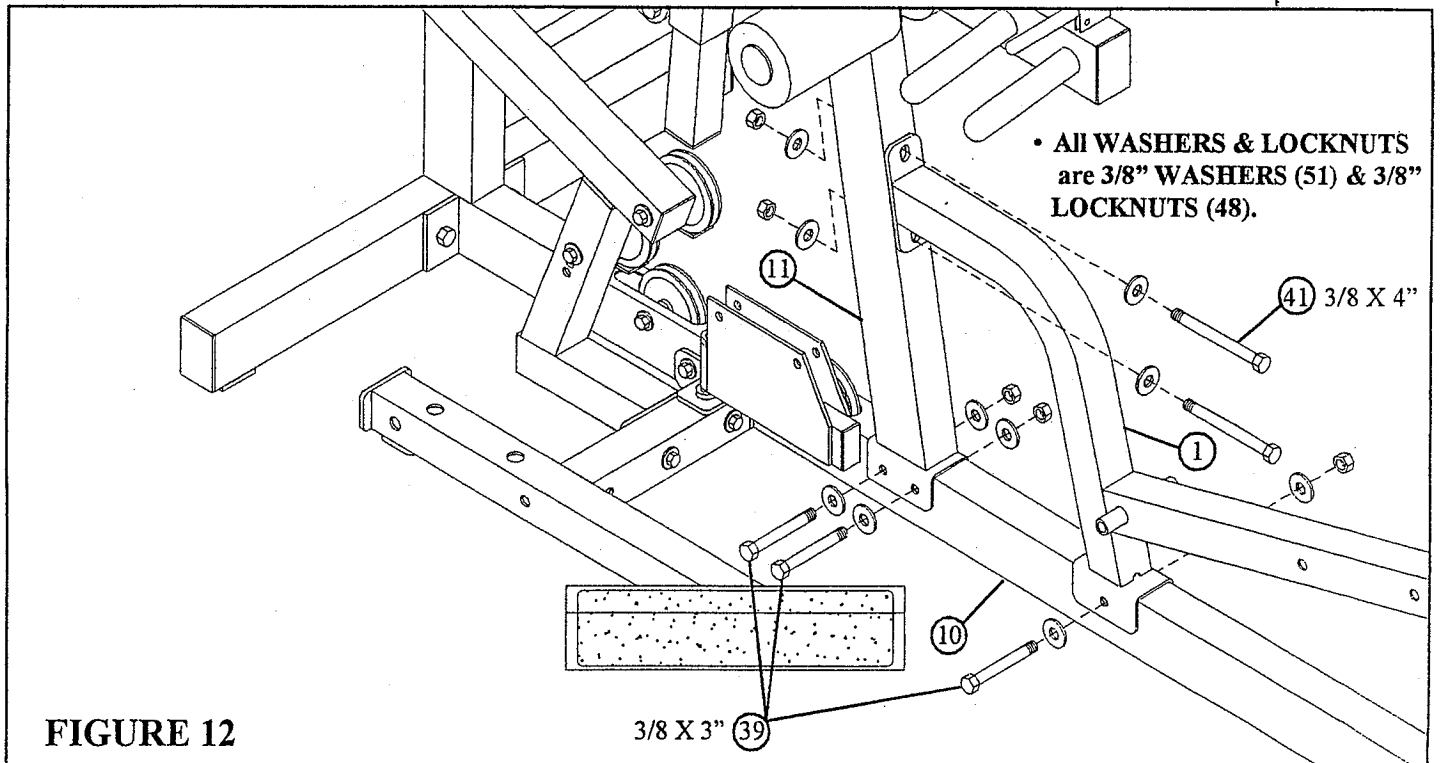
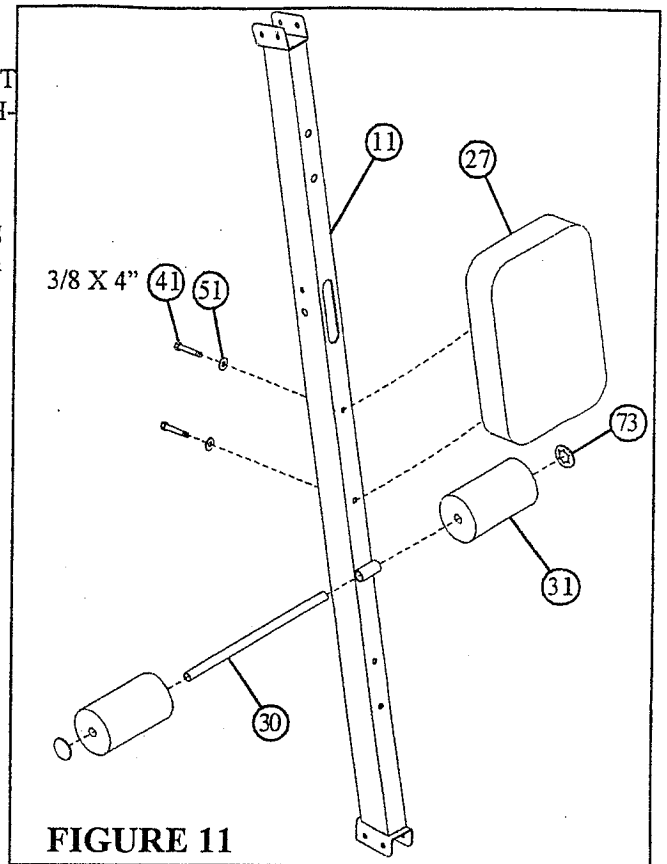


FIGURE 10



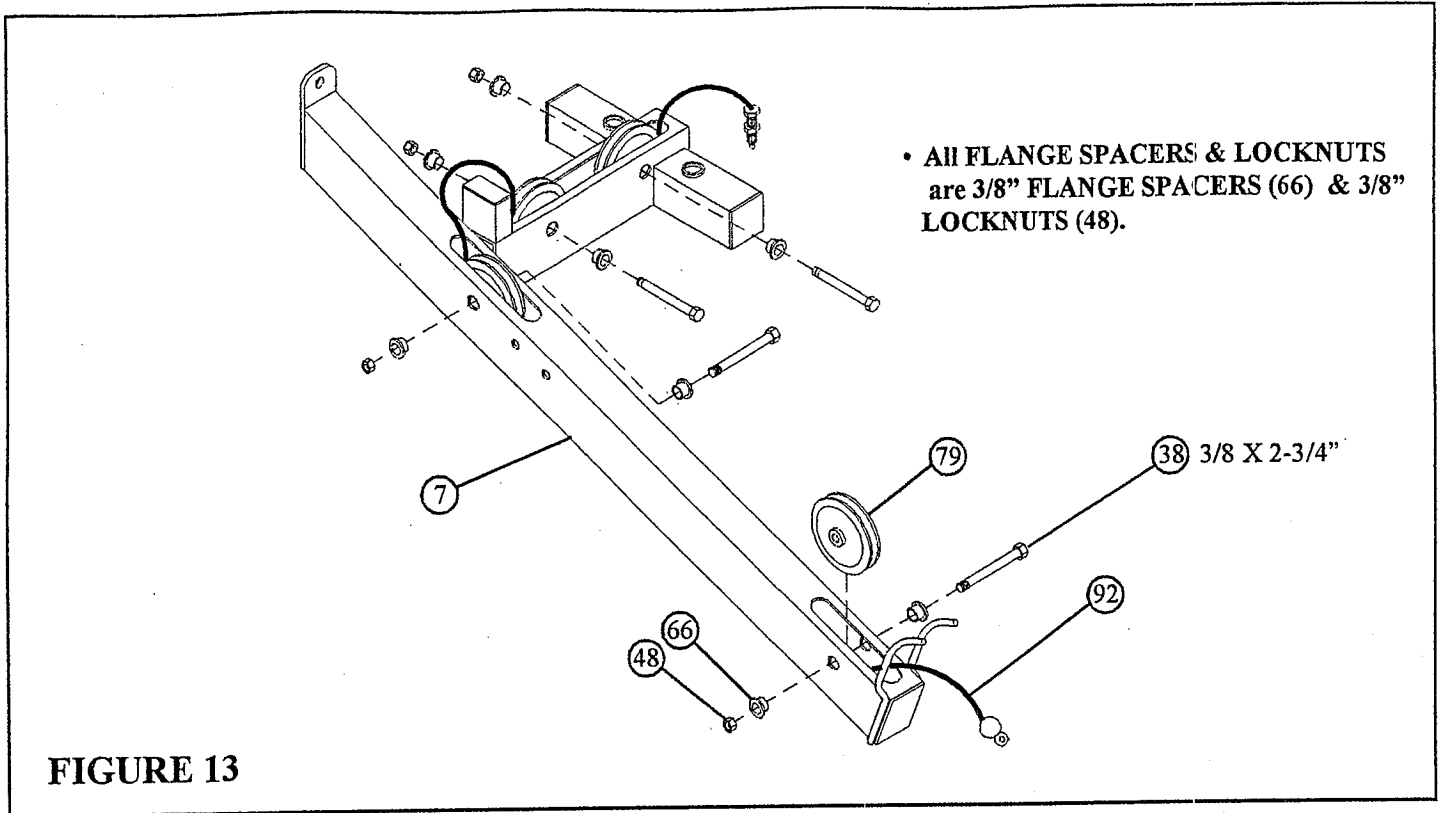
## STEP 11

- Securely assemble the PEC SEAT PAD (27) to the FRONT UPRIGHT (11) as shown, using two 3/8 X 4" BOLTS (41), and two 3/8" WASHERS (51) as shown in FIGURE 11.
- Assemble two ROLLER PADS (31) to the FRONT UPRIGHT (11) using one 16" TUBE (30), and two STARLOCK COLLARS (73) as shown in FIGURE 11.



## STEP 12

- Loosely attach FRONT UPRIGHT (11) to the BASE (10) using two 3/8 X 3" BOLTS (39), four 3/8" WASHERS (51), and two 3/8" LOCKNUTS (48) as shown in FIGURE 12. (NOTE: Make sure cable is routed under the bolts.)
- Loosely attach FRAME SUPPORT (1) to the BASE (10) using one 3/8 X 3" BOLT (39), two 3/8" WASHERS (51), and one 3/8" LOCKNUT (48) as shown in FIGURE 12. (NOTE: Make sure cable is routed under the bolts.)
- Loosely attach FRAME SUPPORT (1) to the FRONT UPRIGHT (11) using two 3/8 X 4" BOLTS (41), four 3/8" WASHERS (51), and two 3/8" LOCKNUTS (48) as shown in FIGURE 12.

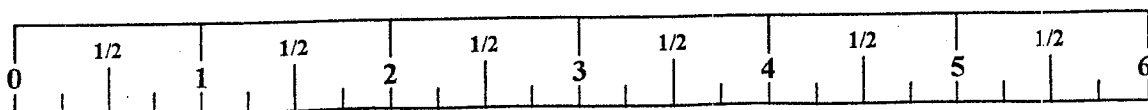
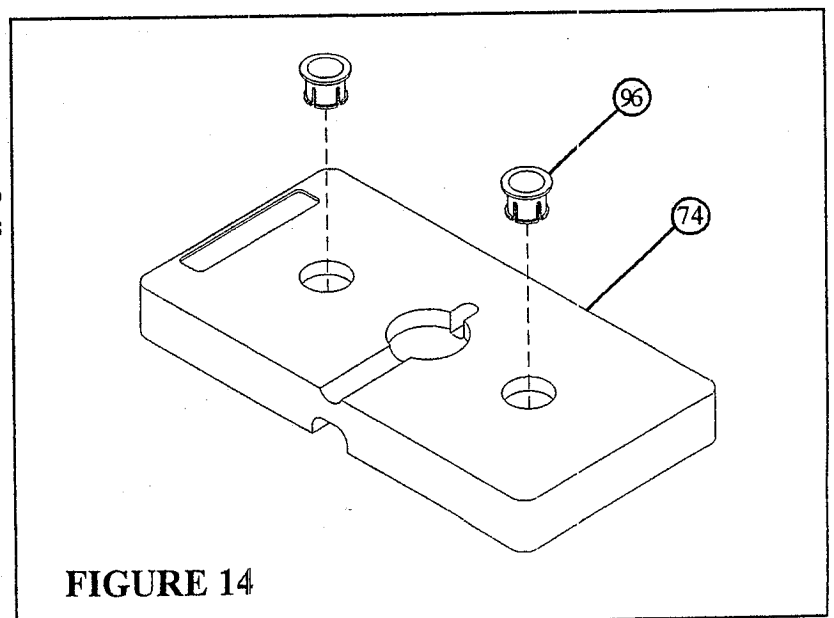


**STEP 13**

- Route the threaded end of LAT CABLE (92) through the TOP BOOM (7) as shown in FIGURE 13.
- Loosely assemble four 3-1/2" PULLEYS (79) to the slots in TOP BOOM (7) using four 3/8 X 2-3/4" BOLTS (38), eight 3/8" FLANGE SPACERS (66), and four 3/8" LOCKNUTS (48) as shown in FIGURE 13. (NOTE: Make sure the cable is routed under all the pulleys.)

**STEP 14**

- Snap two WEIGHT PLATE BUSHINGS (96) each, into the "top" side of fifteen WEIGHT PLATES (74) as shown in FIGURE 14.



### STEP 15

- Securely assemble the WEIGHT STACK SHAFT (80) to the HEAD PLATE (81) using one 3/8 X 1-1/4" BOLT (46) and one 3/8" WASHER (51).
- Insert two GUIDE RODS (33) into the WEIGHT STACK BASE (3) as shown on FIGURE 15. (NOTE: Lubricate GUIDE RODS (33) with silicon or teflon spray available at most hardware stores.)
- Slide two WEIGHT STACK SPACERS (34), two 3/4" WASHERS (53), and two WEIGHT STACK CUSHIONS (88) - **IN THAT ORDER** - down over the GUIDE RODS (33).
- Using **EXTREME CARE** slide all fifteen WEIGHT PLATES (74) down over the GUIDE RODS (33) on to the WEIGHT STACK CUSHIONS (88). Make sure that the keyholes of the WEIGHT PLATES (74) are all facing the right way.
- Slide the head plate assembly down over the GUIDE RODS (33) onto the weight stack.
- Insert two CAP PLUGS (89) into the top ends of the GUIDERODS (33).
- Attach the WEIGHT STACK LABELS (94) to the weight stack. Also insert the WEIGHT STACK PIN (57) into the first WEIGHT PLATE (74) of the weight stack.

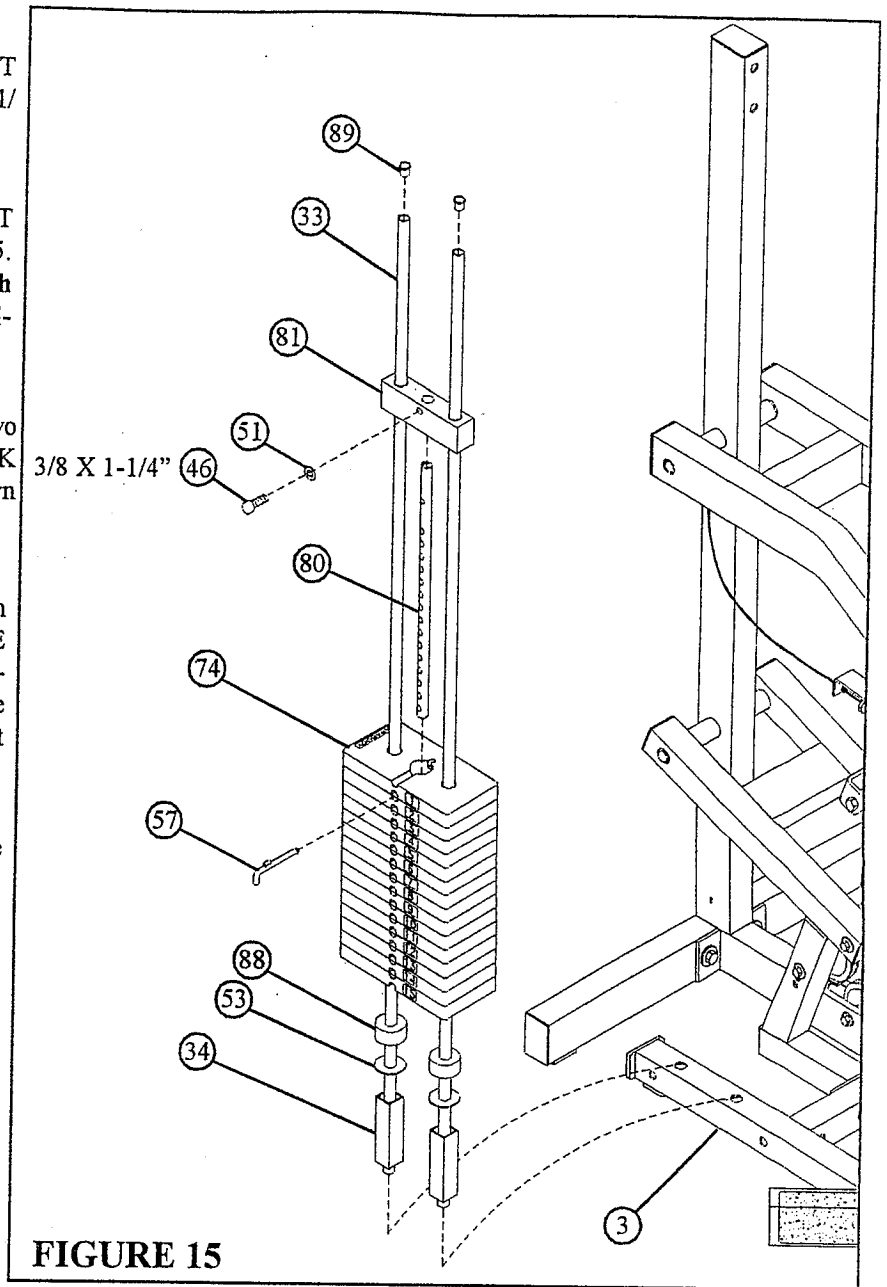


FIGURE 15

### STEP 16

- Swing the GUIDE RODS (33) under the TOP BOOM (7) as shown on FIGURE 16.
- Loosely assemble the TOP BOOM (7) to the REAR UPRIGHT (16) using two 1/2 X 4" BOLTS (44), two 1/2" WASHERS (52), and one 1/2" LOCKNUT (49).
- Loosely assemble the TOP BOOM (7) to the FRONT UPRIGHT (11) using two 3/8 X 3" BOLTS (39), four 3/8" WASHERS (51), and two 3/8" LOCKNUTS (48). Make sure LAT CABLE (92) is routed **OVER** top of bolts.

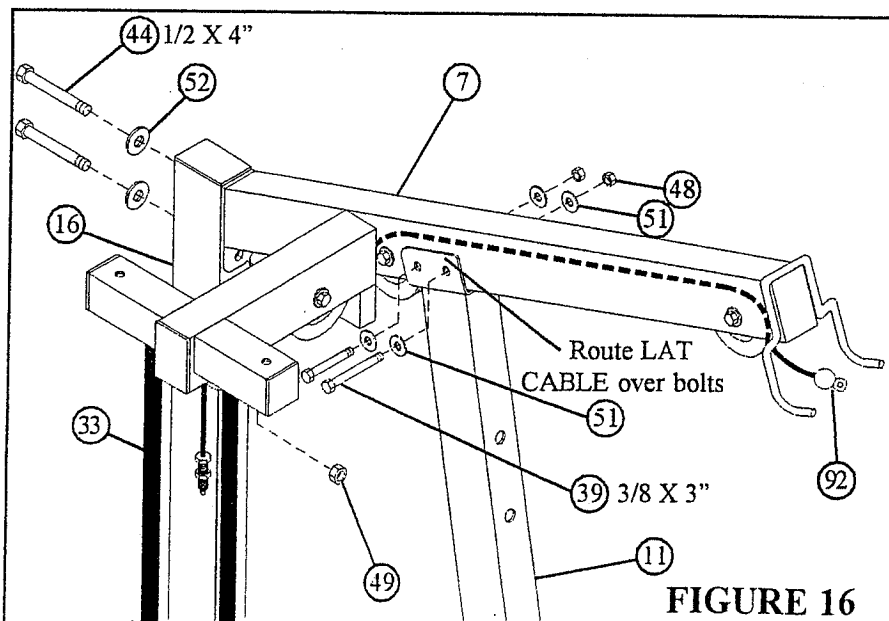
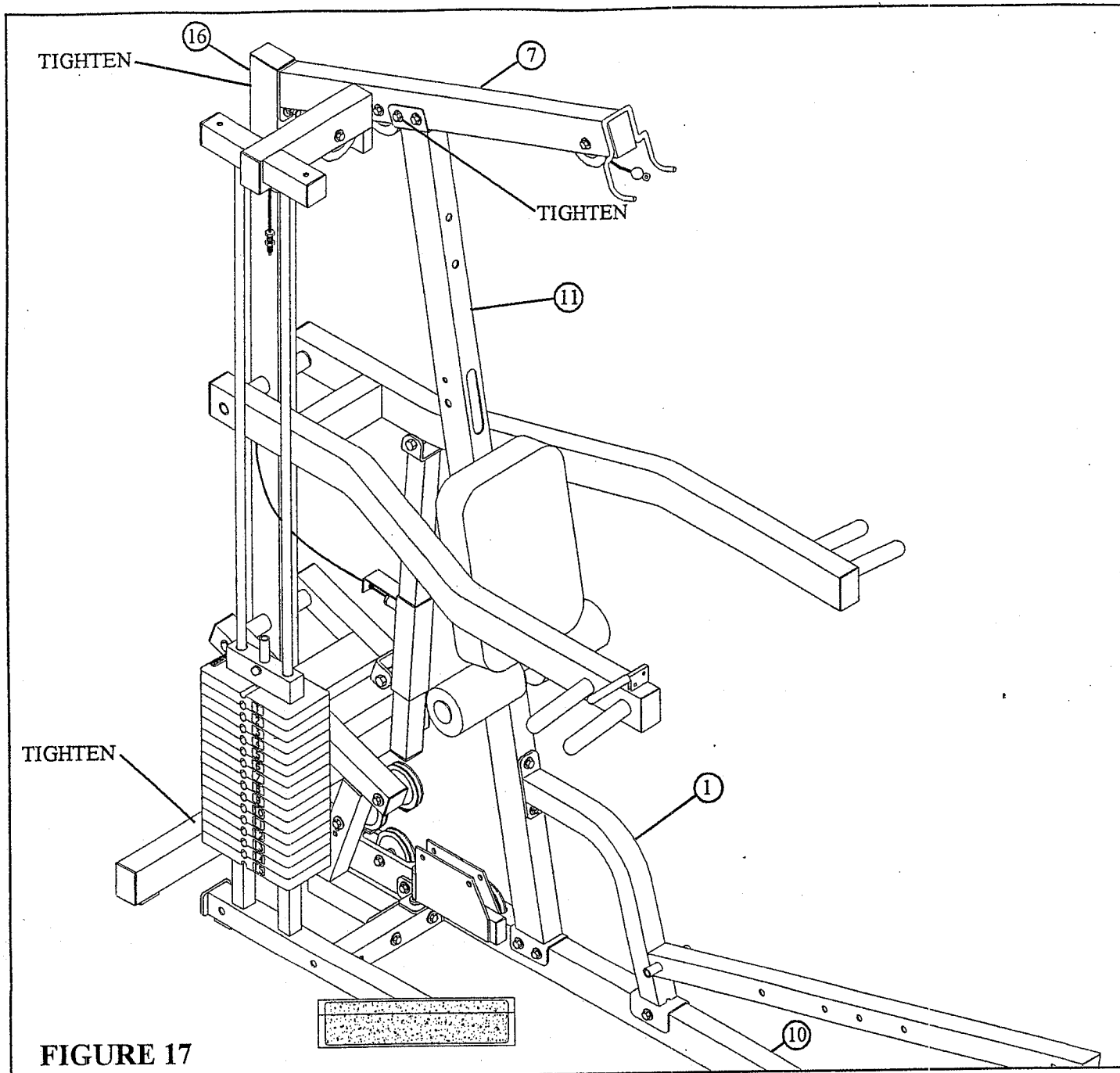


FIGURE 16



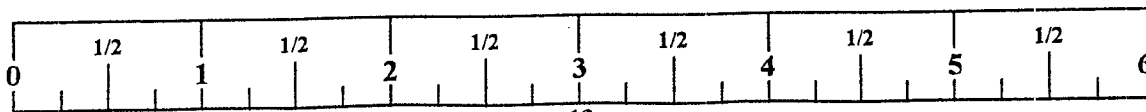
**FIGURE 17**

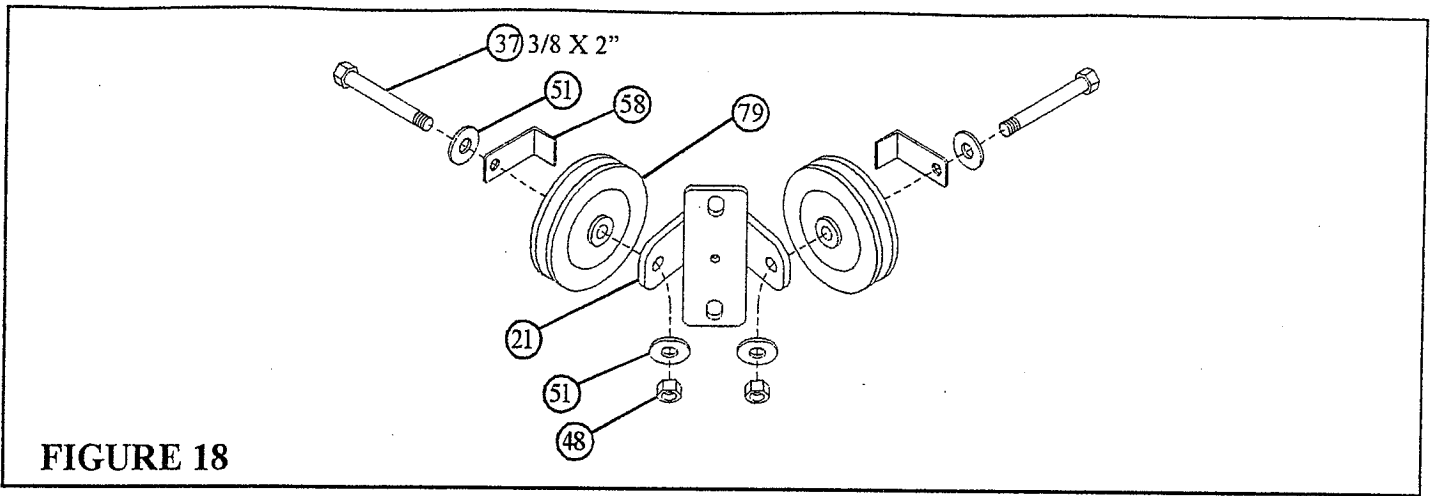
**STEP 17**

Securely tighten all loose frame connections made to this point.

Tighten the:

- REAR UPRIGHT (16) to the BASE (10).
- FRONT UPRIGHT (11) to the BASE (10).
- TOP BOOM (7) to the REAR UPRIGHT (16).
- and the TOP BOOM (7) to the FRONT UPRIGHT (11).

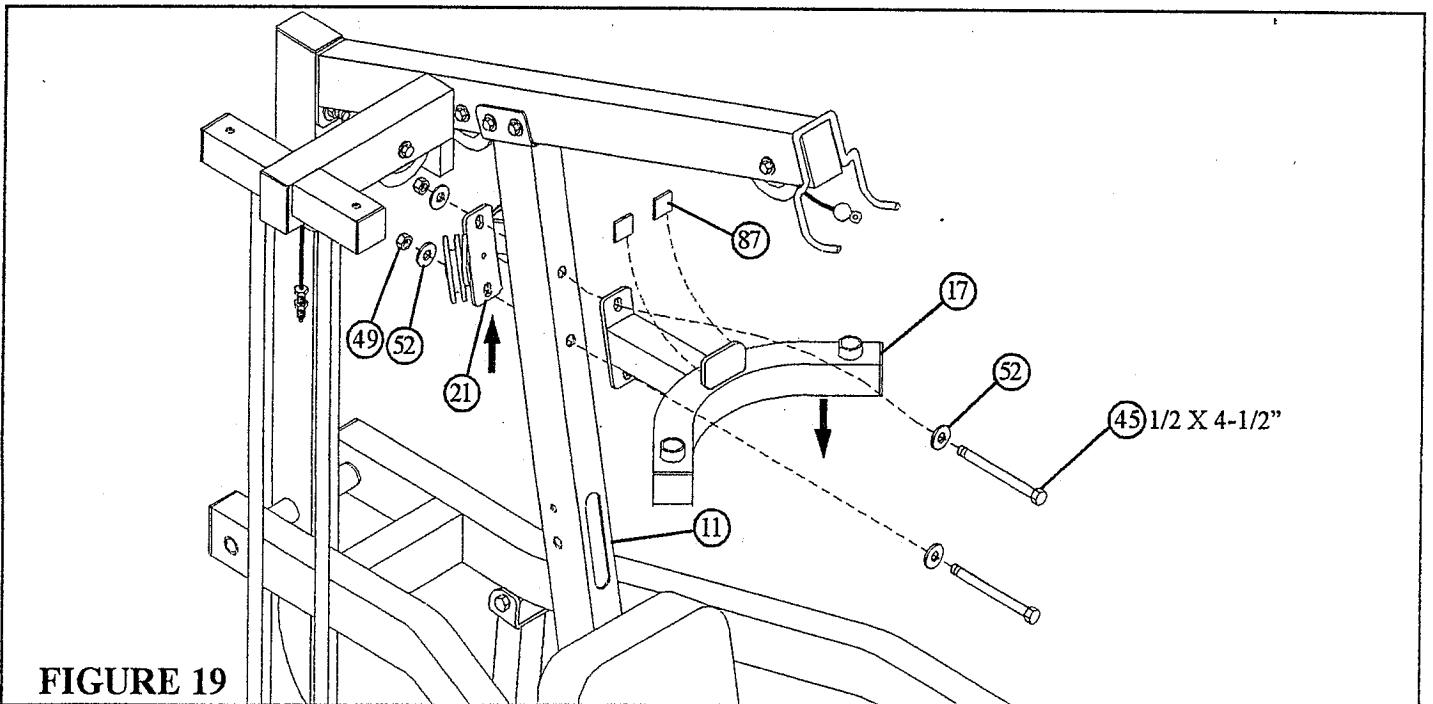




**FIGURE 18**

**STEP 18**

- Loosely assemble two 3-1/2" PULLEYS (79) and two 2-3/8" CABLE RETAINING CLIPS (58) to the CENTER PULLEY BRACKET (21) using two 3/8 X 2" BOLTS (37), four 3/8" WASHERS (51), and two 3/8" LOCKNUTS (48). See FIGURE 18. (NOTE: This connection will be tightened after the cable has been routed.)



**FIGURE 19**

**STEP 19**

- Securely assemble the BEARING HOUSING (17) and the CENTER PULLEY BRACKET (21) to the FRONT UPRIGHT (11) as shown in FIGURE 19, using two 1/2 X 4-1/2" BOLTS (45), four 1/2" WASHERS (52), and two 1/2" LOCKNUTS (49). (NOTE: The connector plates on the BEARING HOUSING (17) and the CENTER PULLEY BRACKET (21) have slotted holes. Shift the BEARING HOUSING (17) down as far as possible and the CENTER PULLEY BRACKET (21) up as far as possible before tightening.)
- Attach two 1" X 1" GLIDES (87) to plate on the BEARING HOUSING (17) as shown.

STEP 20

- Assemble two 3/4" THRUST WASHERS (68) and two PEC CAMS (24) to the LEFT (20) & RIGHT (19) PEC ARMS, as shown on FIGURE 20.
- Insert four 3/4" FLANGE BEARINGS (69) into the bushings of the BEARING HOUSING (17).
- Insert the LEFT (20) & RIGHT (19) PEC ARMS through the 3/4" FLANGE BEARINGS (69) in the BEARING HOUSING (17) on their respective side as shown, and secure them in place with two 3/4" STARLOCK COLLARS (73).
- Slide two PEC DEC ROLLER PADS (32) onto the LEFT (20) & RIGHT (19) PEC ARMS until the ROLLER PAD (32) is flush with the bottom of the pec arms.
- **(NOTE: If a lubricant is required coat the inside of the ROLLER PAD (32) with rubbing alcohol or water. Also, rotating the pad while pushing up will help ease assembly.)**
- Securely assemble two 3/8" SPRING PIN ASSEMBLIES (71) to the spring pin barrels of the PEC ARMS (19 & 20).

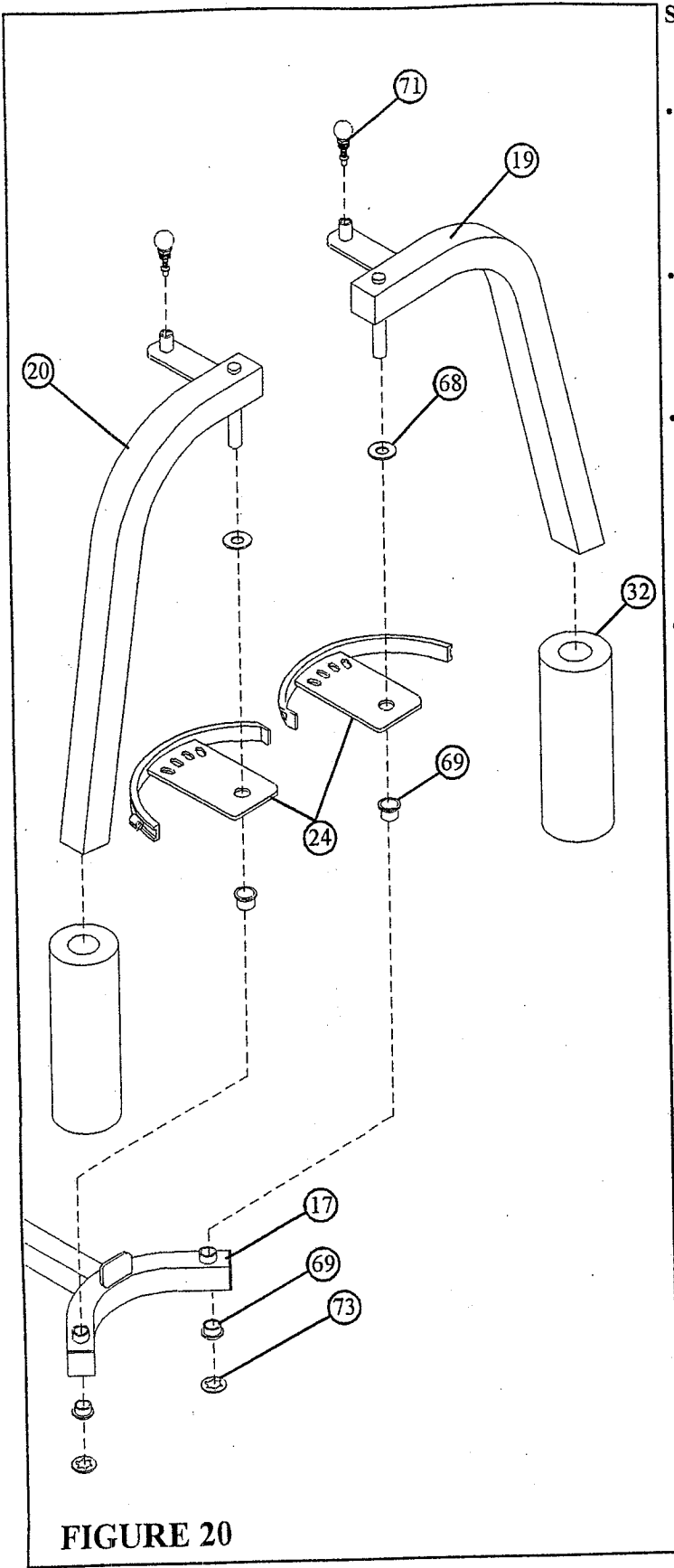
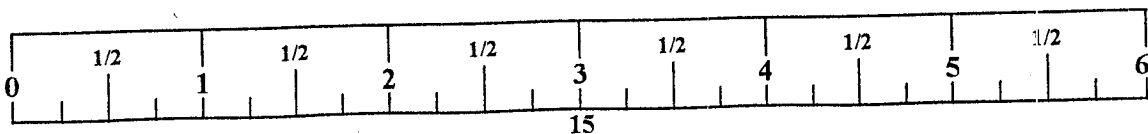
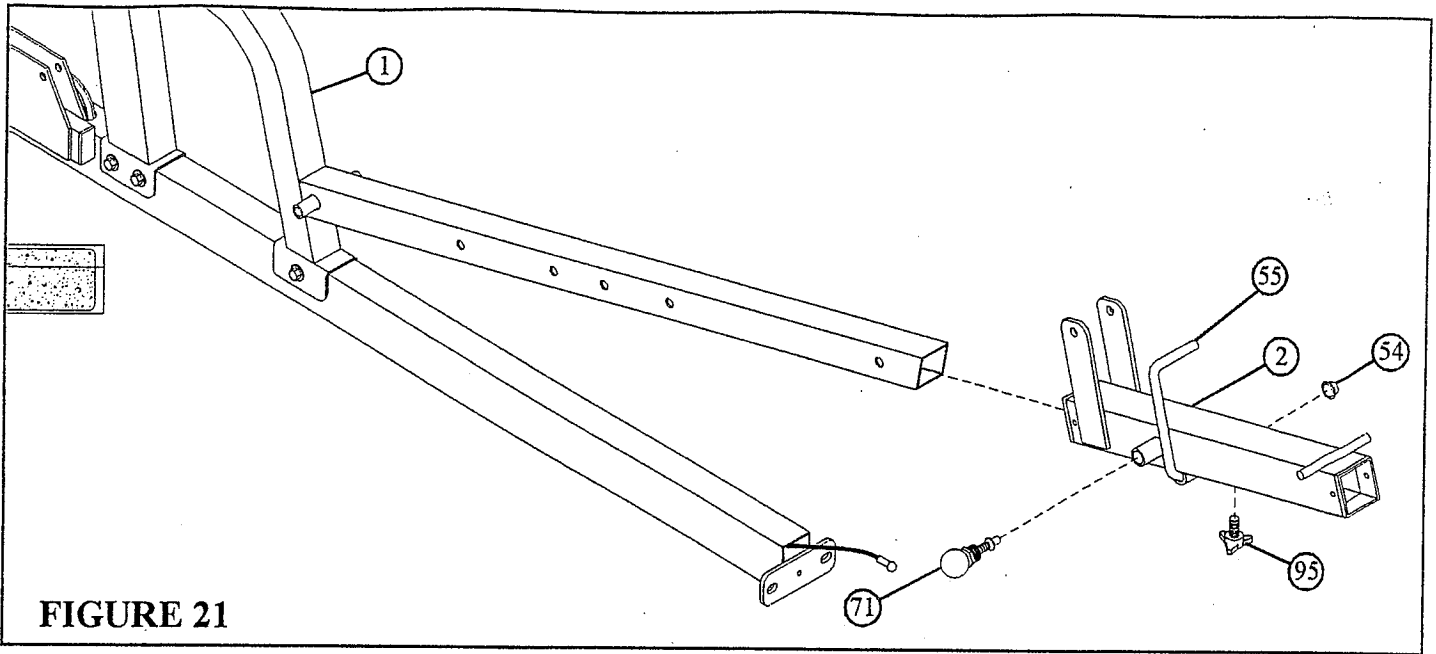


FIGURE 20

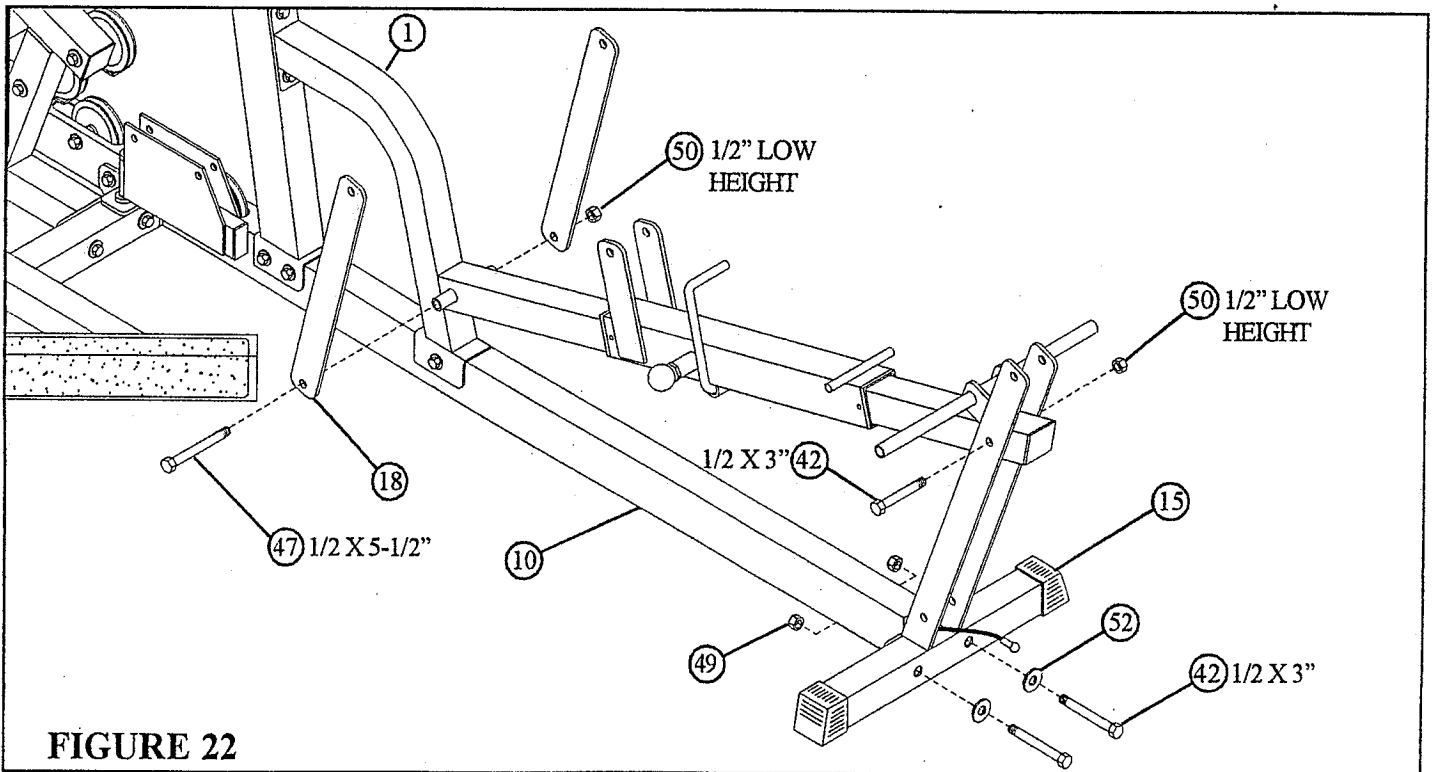




**FIGURE 21**

**STEP 21**

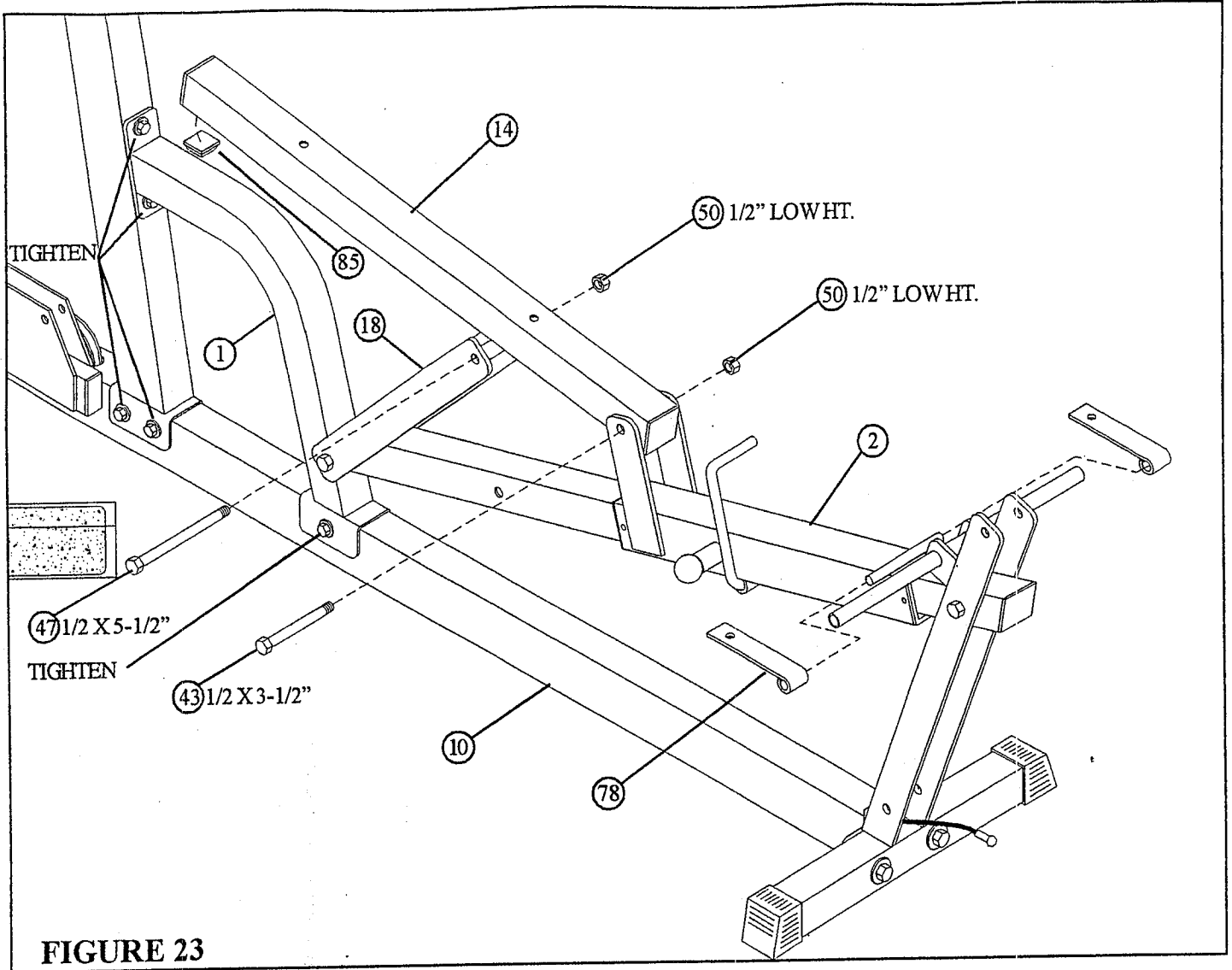
- Slide the 1/2" DIA U-PIN (55) through the bushing in the WOLFF SLEEVE (2) then force 1/2" PAL NUT (54) over end of 1/2" DIA U-PIN (55).
- Slide the WOLFF SLEEVE (2) over the FRAME SUPPORT (1). (NOTE: Make sure the spring pin barrel is facing as shown in FIGURE 21.)
- Securely assemble one 3/8" SPRING PIN ASSEMBLY (71) and one THUMBSCREW (95) to the WOLFF SLEEVE (2).



**FIGURE 22**

**STEP 22**

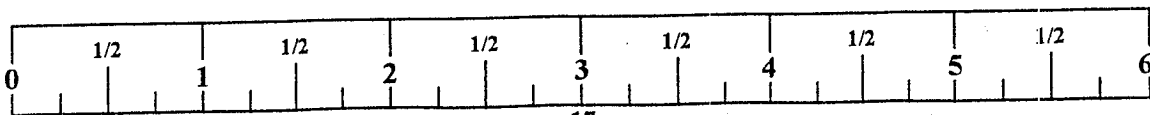
- Securely fasten the LEG SUPPORT (15) to the BASE (10) using two 1/2 X 3" BOLTS (42), two 1/2" WASHERS (52) and two 1/2" LOCKNUTS (49).
- Securely attach FRAME SUPPORT (1) to the LEG SUPPORT (15) using one 1/2" X 3" BOLT (42) and one 1/2" LOW HEIGHT LOCKNUT (50) as shown in FIGURE 22.
- Attach two 2 X 16-1/2" PLATES (18) to the FRAME SUPPORT (1) using one 1/2 X 5-1/2" BOLT (47), and one 1/2" LOW HEIGHT LOCKNUT (50) as shown on FIGURE 22. (NOTE: Securely tighten, then back nut off 1/4 turn to allow the 2 X 16-1/2" PLATES (18) to rotate freely.)

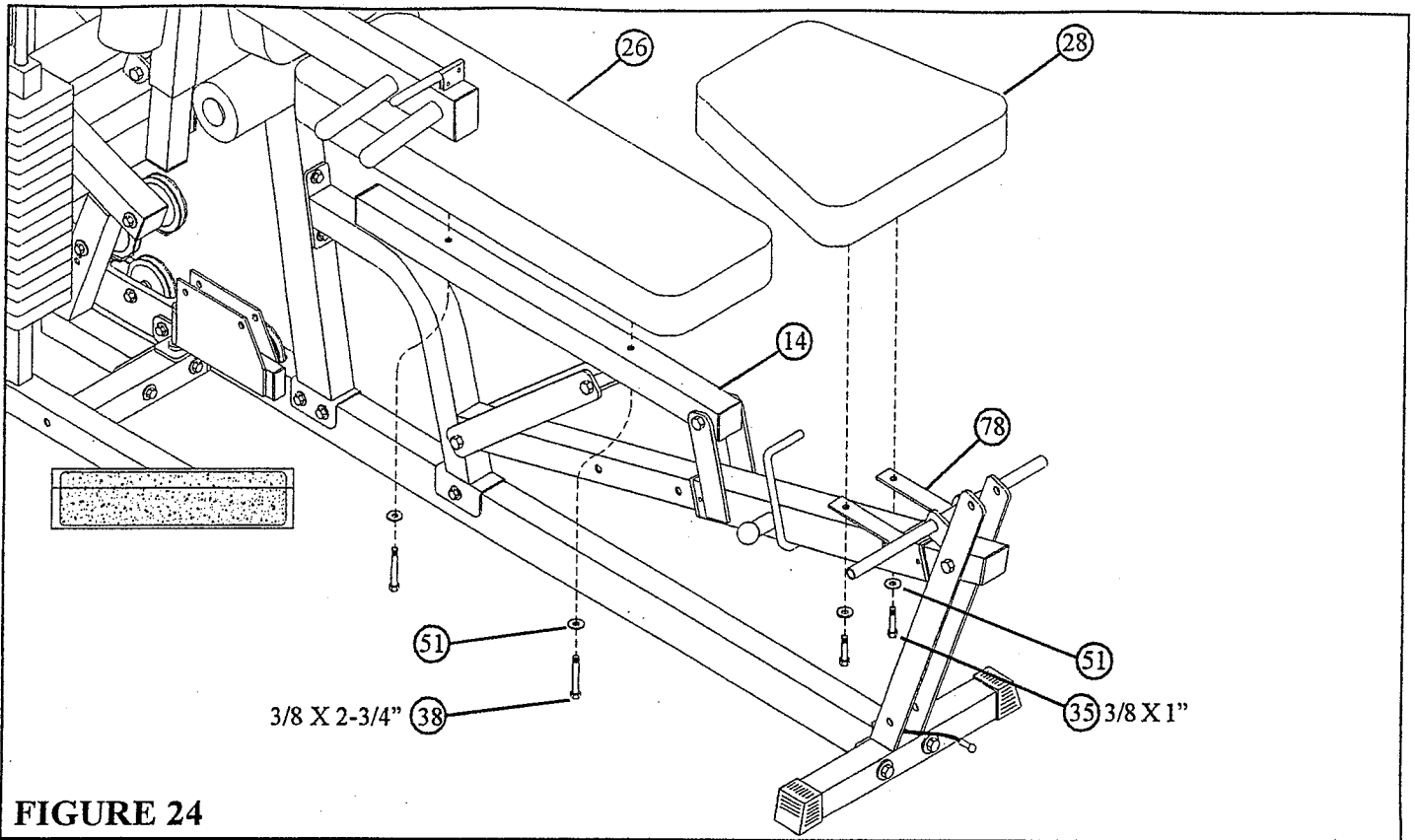


**FIGURE 23**

**STEP 23**

- Attach WOLFF SLEEVE (2) to the BACK PAD SUPPORT (14) using one 1/2 X 3-1/2" BOLT (43) and one 1/2" **LOW HEIGHT LOCKNUT** (50). (NOTE: Securely tighten, then back nut off 1/4 turn to allow the BACK PAD SUPPORT (14) to rotate freely.) See FIGURE 23.
- Attach both 2 X 16-1/2" PLATES (18) to the bushing on the BACK PAD SUPPORT (14) using one 1/2 X 5-1/2" BOLT (47) and one 1/2" **LOW HEIGHT LOCKNUT** (50). (NOTE: Securely tighten, then back nut off 1/4 turn to allow the 2 X 16-1/2" PLATES (18) to rotate freely.) See FIGURE 23.
- Slide one HINGE TAB (78) on each side of shaft on WOLFF SLEEVE (2). See FIGURE 23.
- Stick one 1-1/4" RUBBER BUMPER (85) on the BACK PAD SUPPORT (14) approximately 1/2" from the end of BACK PAD SUPPORT (14).
- At this time, **SECURELY** tighten the FRAME SUPPORT (1) to the BASE (10) and the FRONT UPRIGHT (11).





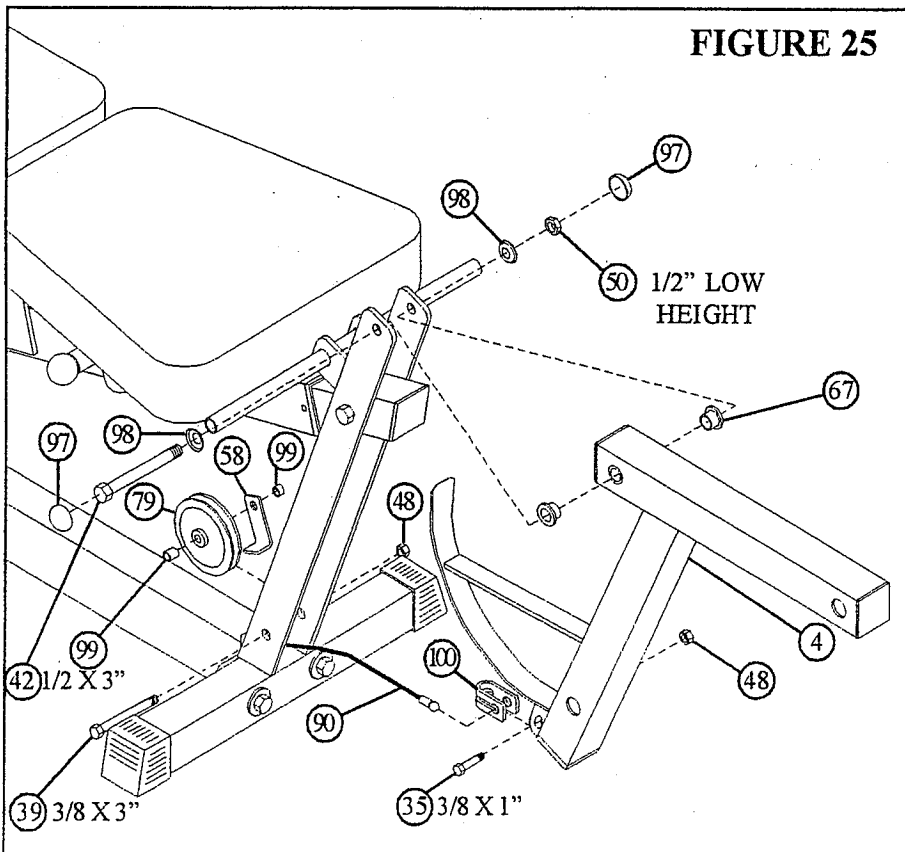
**FIGURE 24**

**STEP 24**

- Securely attach BACK SEAT PAD (26) to BACK PAD SUPPORT (14) using two 3/8 X 2-3/4" (38) and two 3/8" WASHERS (51).
- Securely attach LEG SEAT PAD (28) to HINGE TABS (78) using two 3/8 X 1" (35) and two 3/8" WASHERS (51) as shown in FIGURE 24.

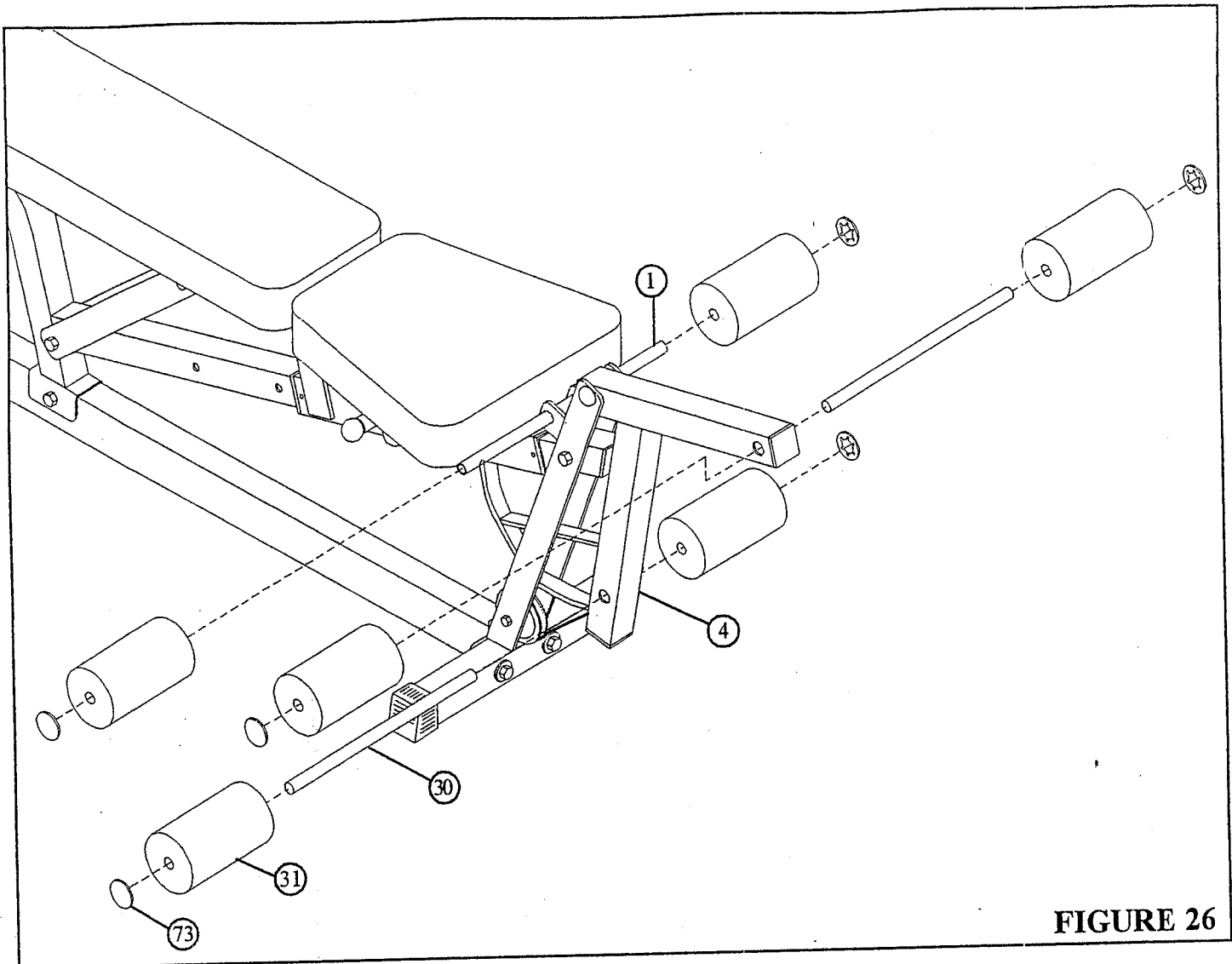
**STEP 25**

Assemble the LEG CURL/EXTENSION (4) to the LEG SUPPORT (15) using the following steps:



**FIGURE 25**

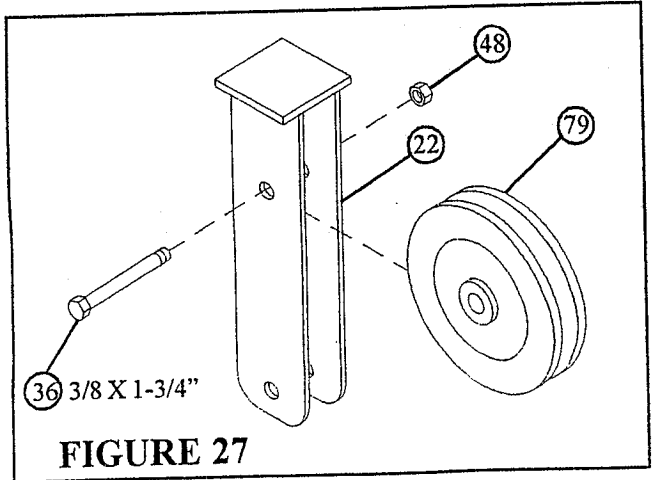
- Assemble one 3-1/2" PULLEY(79) to the LEG SUPPORT (15) using one 3/8 X 3" BOLT (39), two 3/8 X 1/2" SPACERS (99), one CABLE RETAINING CLIP (58) and one 3/8" LOCK NUT (48). (NOTE: Make sure LEG EXT. CABLE (90) is running under the PULLEY.)
- Insert two 1/2" FLANGE BEARINGS (67) into the LEG CURL/EXTENSION (4).
- Assemble the LEG CURL/EXTENSION (4) to the BENCH FRAME (15) using one 1/2 X 3" (42), two BOLT COVER CAPS (97), two BOLT COVER WASHERS (98) and one 1/2" LOW HEIGHT LOCKNUT (50). (NOTE: Securely tighten, then back nut off 1/4 turn to allow the LEG CURL/EXTENSION (4) to rotate freely.)
- Assemble the ball end of the LEG EXT. CABLE (90) to the KEYHOLE CLEVIS (100) as shown in FIGURE 25.
- **SECURE** the KEYHOLE CLEVIS (100) to the tab on the LEG CURL/EXTENSION (4) using one 3/8 X 1" BOLT (35) and one 3/8" LOCK NUT (48) as shown in FIGURE 25. (NOTE: Do not overtighten! Keyhole clevis should rotate freely.)



**FIGURE 26**

**STEP 26**

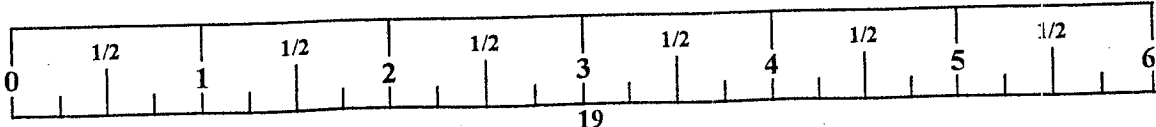
- Assemble four ROLLER PADS (31) to the LEG CURL/EXTENSION (4) as shown on FIGURE 26 using two 16" TUBES (30) and four STARLOCK COLLARS (73).
- Assemble two ROLLER PAD (31) to the tubes on FRAME SUPPORT (1) using two STARLOCK COLLARS (73) as shown in FIGURE 26..



**FIGURE 27**

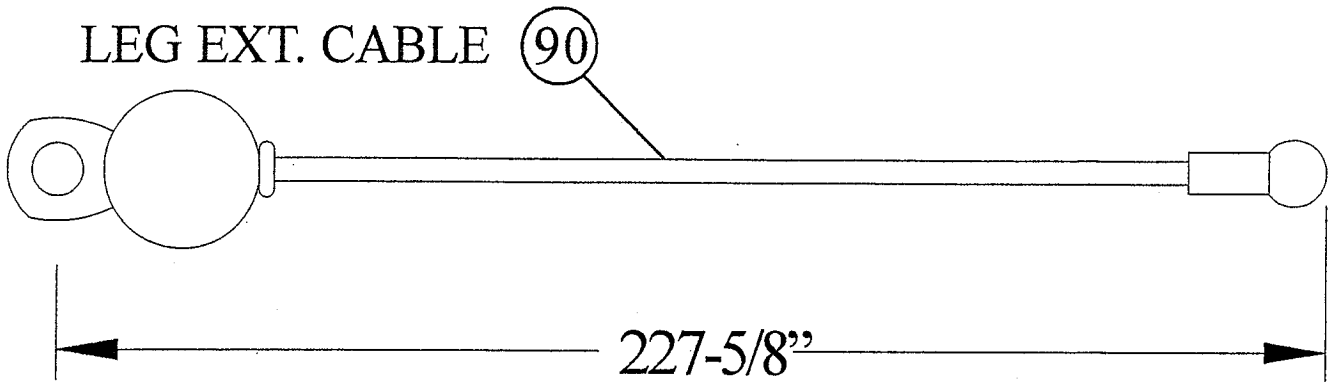
**STEP 27**

- Assemble one 3-1/2" PULLEY (79) to the FLOATING PULLEY BRACKET (22) using one 3/8 X 1-3/4" BOLT (36) and one 3/8" LOCKNUT (48) as shown in FIGURE 27.

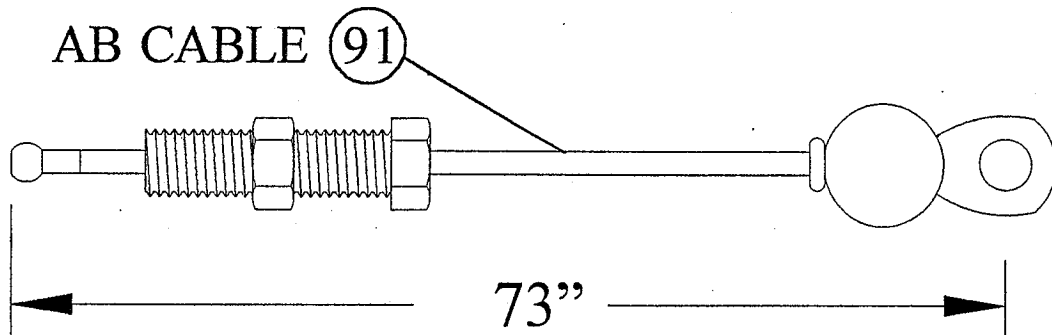


# CABLE GUIDE

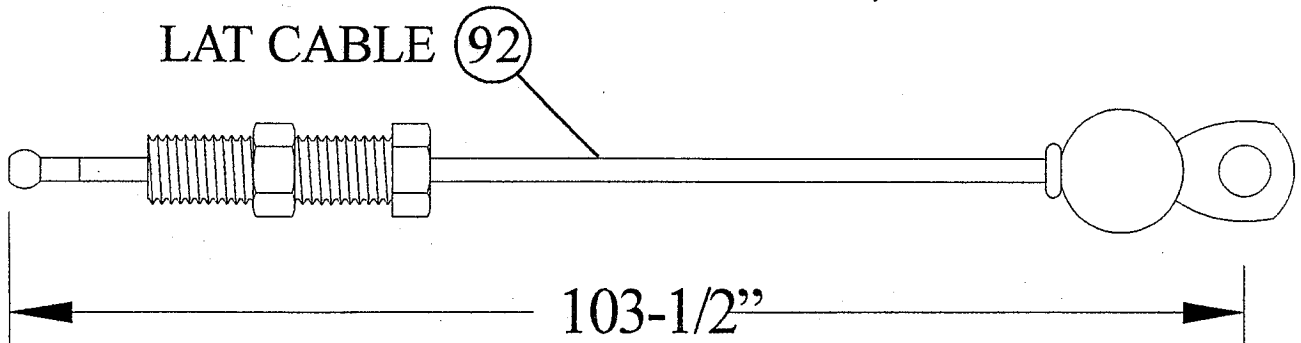
LEG EXT. CABLE (90)



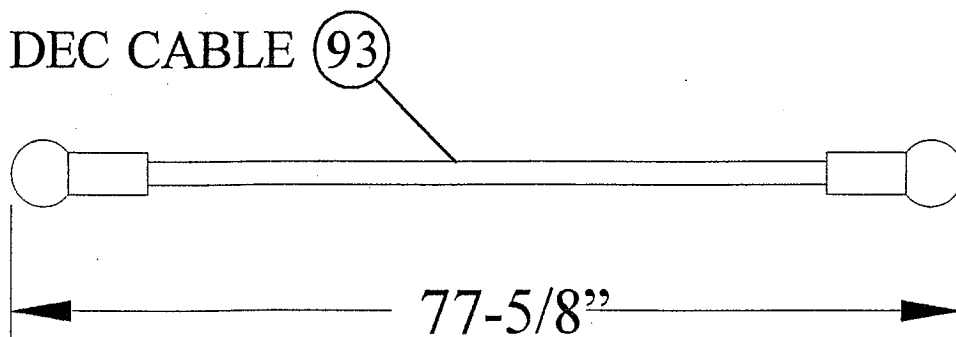
AB CABLE (91)

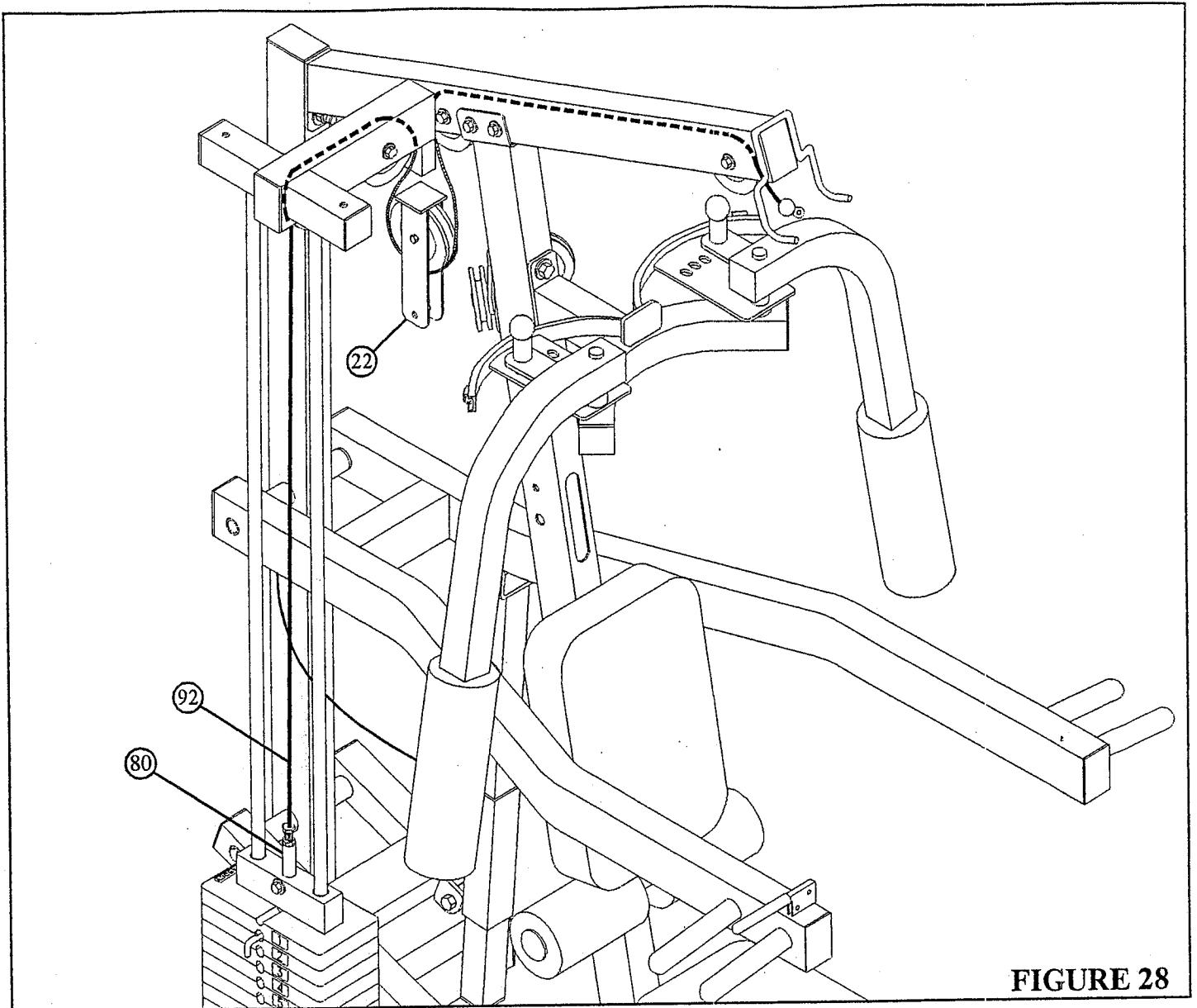


LAT CABLE (92)



PEC DEC CABLE (93)





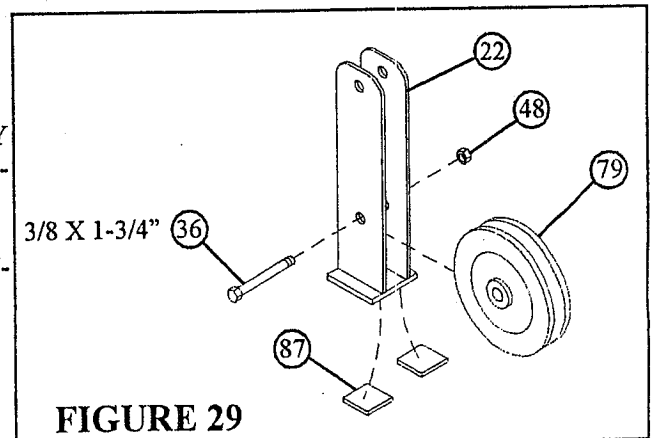
**FIGURE 28**

**STEP 28**

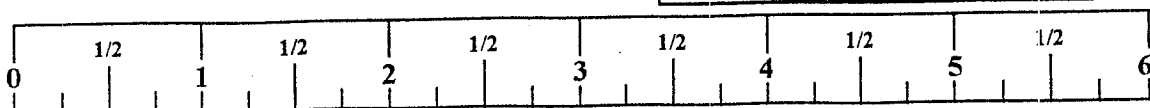
- Loop LAT CABLE (92) around pulley in FLOATING PULLEY BRACKET (22) as shown in FIGURE 27.
- Screw the threaded end of LAT CABLE (92) into the end of the WEIGHT STACK SHAFT (80) until the FLOATING PULLEY BRACKET (22) firmly contacts the end cap on the TOP BOOM (7) and the CABLE (92) slightly pulls on the HEAD PLATE (81). Tighten the jam nut securely. See FIGURE 28.

**STEP 29**

- Assemble one 3-1/2" PULLEY (79) to the other FLOATING PULLEY BRACKET (22) using one 3/8 X 1-3/4" BOLT (36) and one 3/8" LOCK-NUT (48) as shown in FIGURE 29.
- Attach two 1" X 1" GLIDES (87) to the bottom of the second FLOATING PULLEY BRACKET (22) as shown.

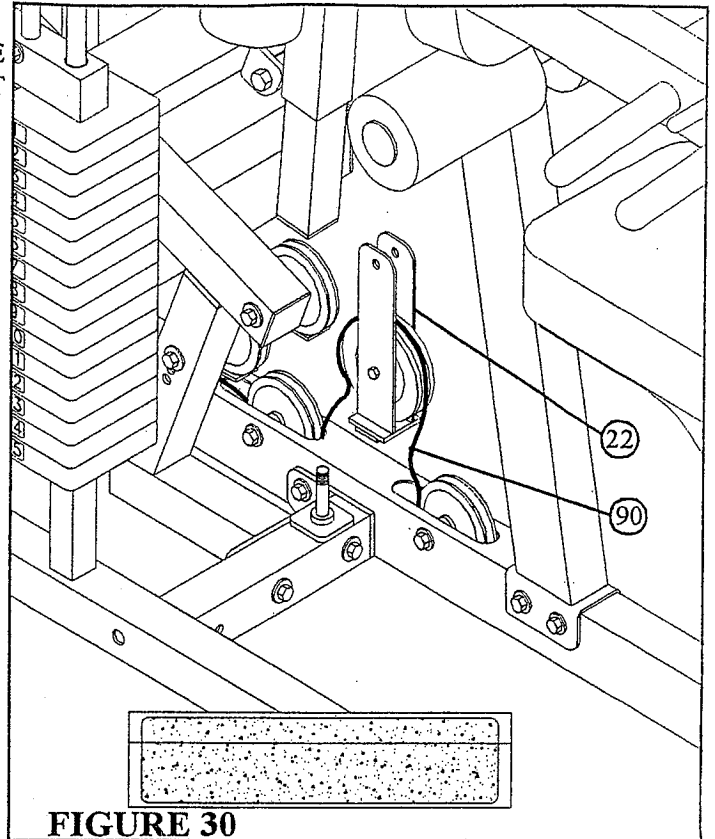


**FIGURE 29**

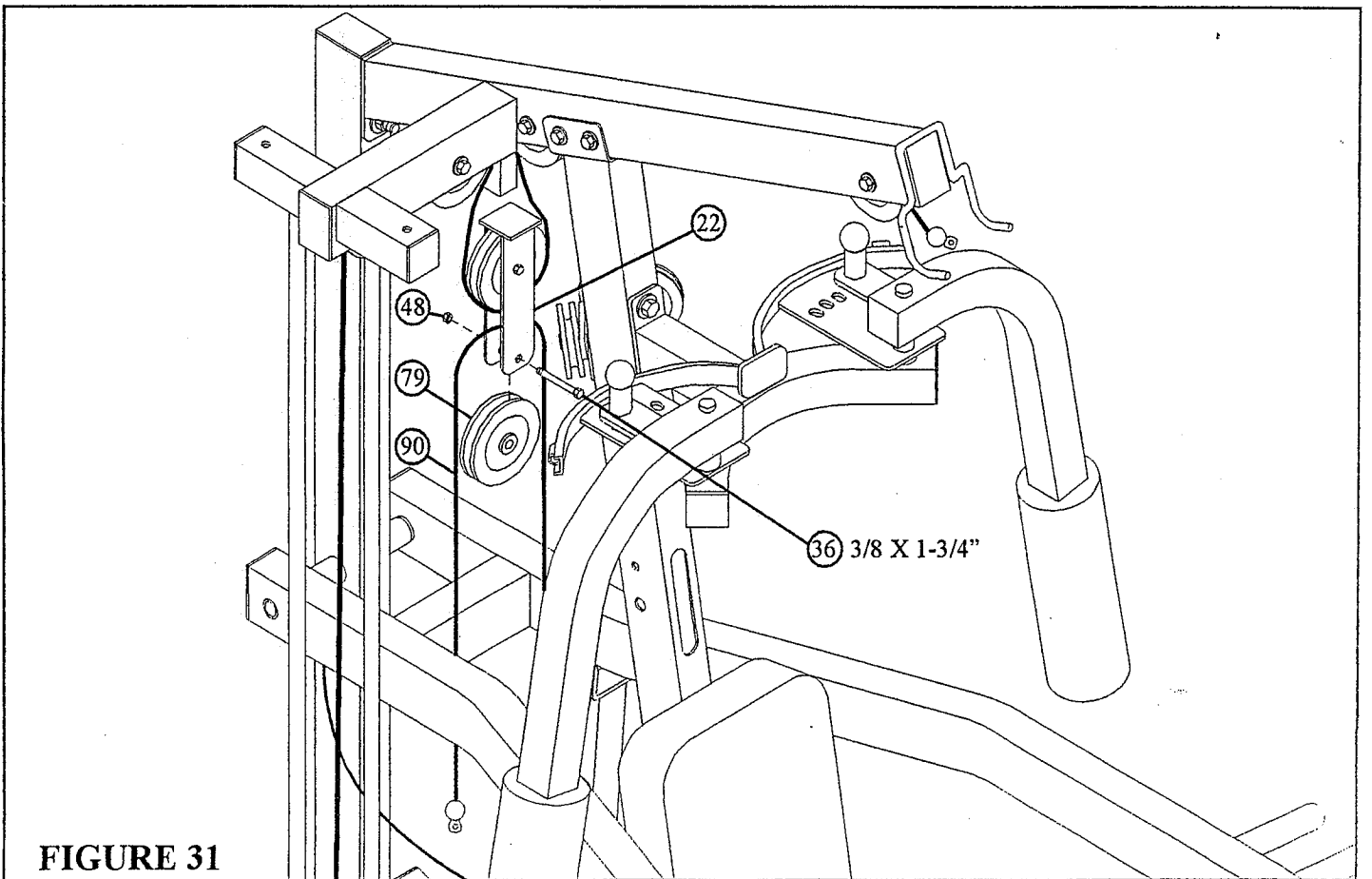


**STEP 30**

- Loop LEG EXT. CABLE (90), previously installed in BASE (10), around pulley in lower FLOATING PULLEY BRACKET (22) as shown in FIGURE 30.



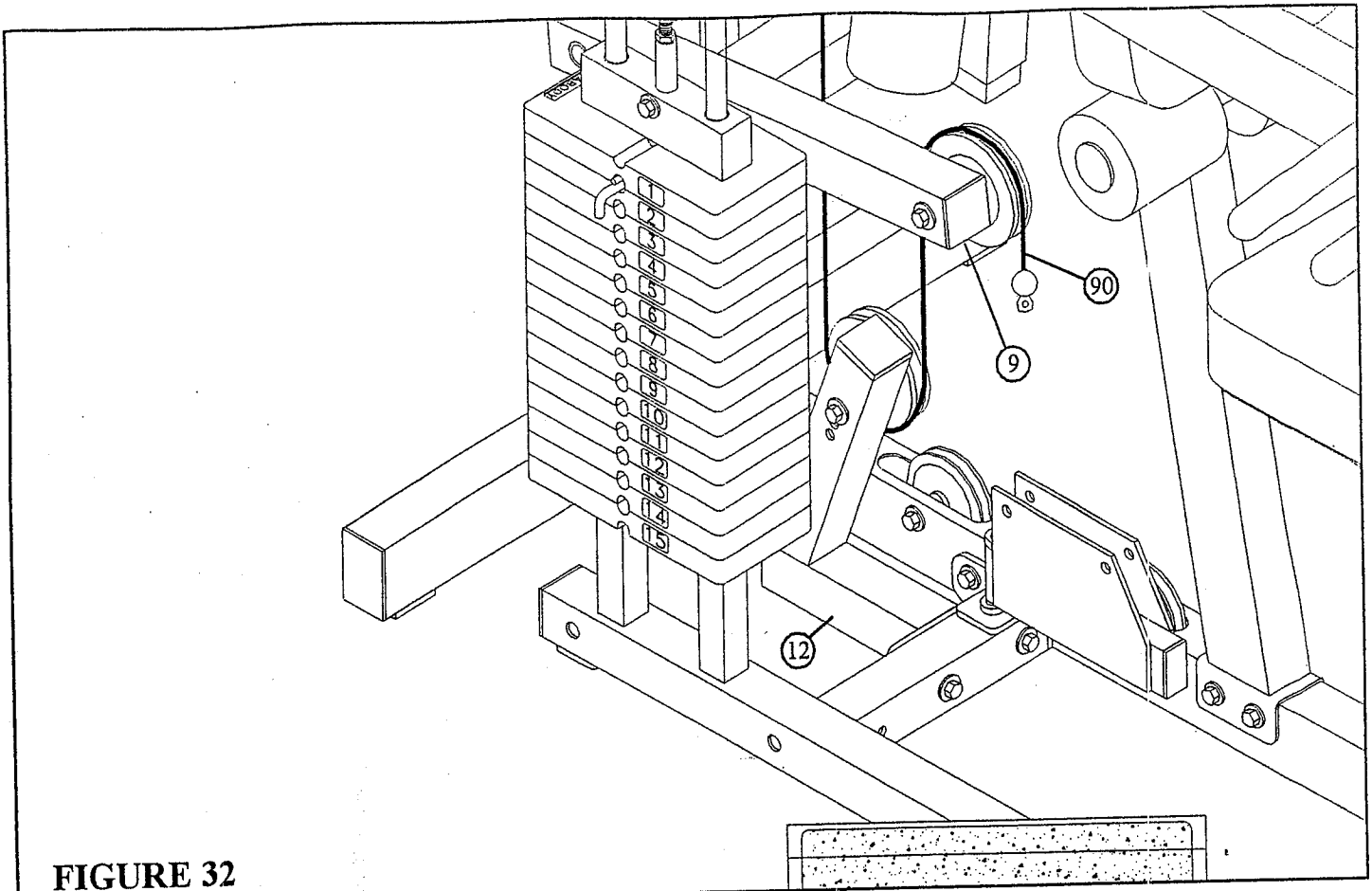
**FIGURE 30**



**FIGURE 31**

**STEP 31**

- Assemble one 3-1/2" PULLEY (79) around the LEG EXT. CABLE (90) and to the upper FLOATING PULLEY BRACKET (22) using one 3/8 X 1-3/4" BOLT (36) and one 3/8" LOCKNUT (48) as shown in FIGURE 31.



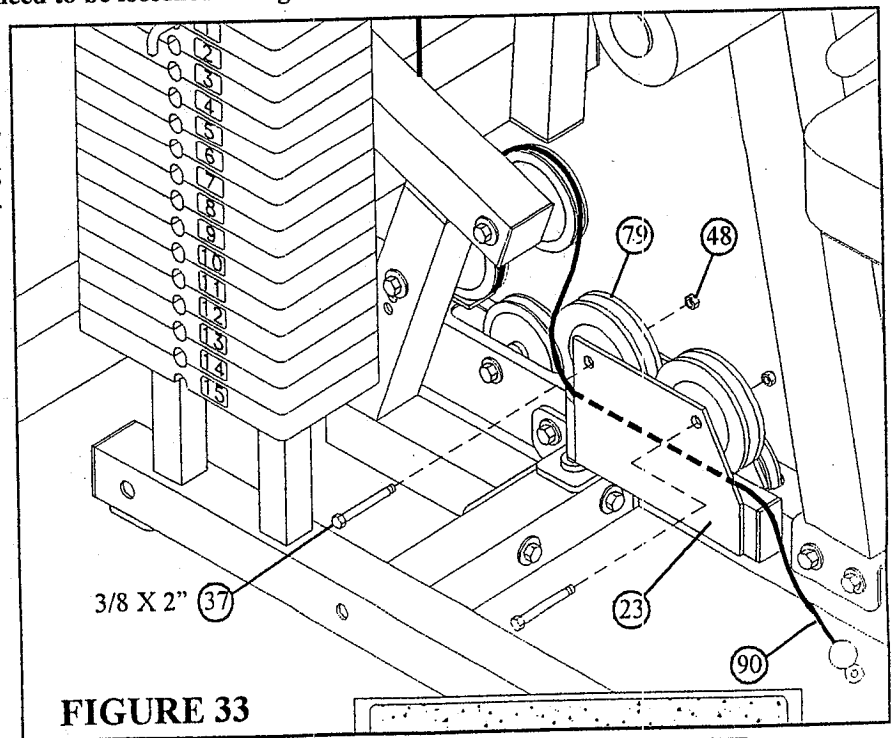
**FIGURE 32**

**STEP 32**

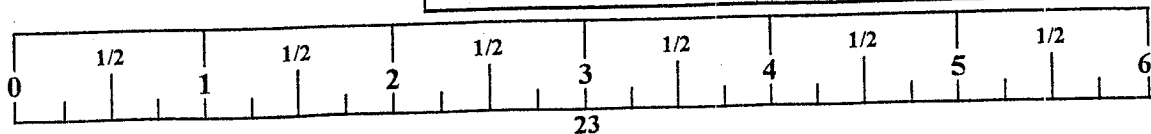
- Route ball end of LEG EXT. CABLE (90) under pulley and cable retaining clip on LEVER STOP (12) as shown in FIGURE 32. (NOTE: The bolt holding pulley and cable retaining clip may need to be loosened to align cable retaining clip with cable.)
- Route ball end of LEG EXT. CABLE (90) under pulley and cable retaining clip on PRESS ARM LEVER (9). (NOTE: The bolt holding pulley and cable retaining clip may need to be loosened to align cable retaining clip with cable.)

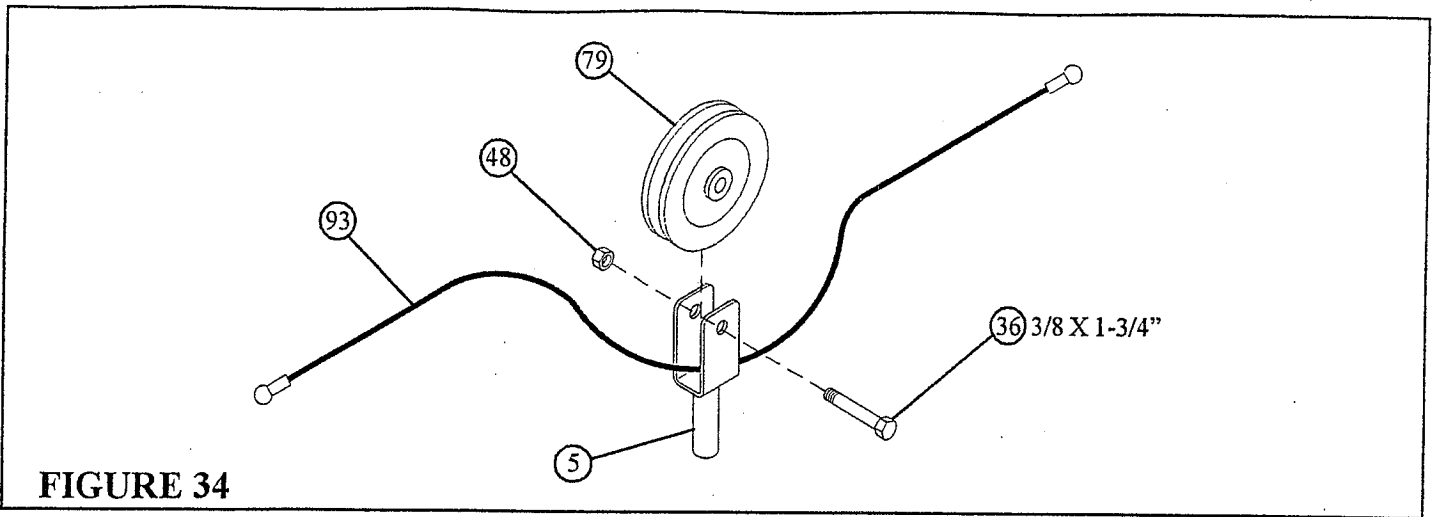
**STEP 33**

- After routing ball end of LEG EXT. CABLE (90) through SWIVEL PULLEY BRACKET (23), attach two 3-1/2" PULLEYS (79) using two 3/8" X 2" BOLTS (37) and two 3/8" LOCK-NUTS (48). See FIGURE 33.



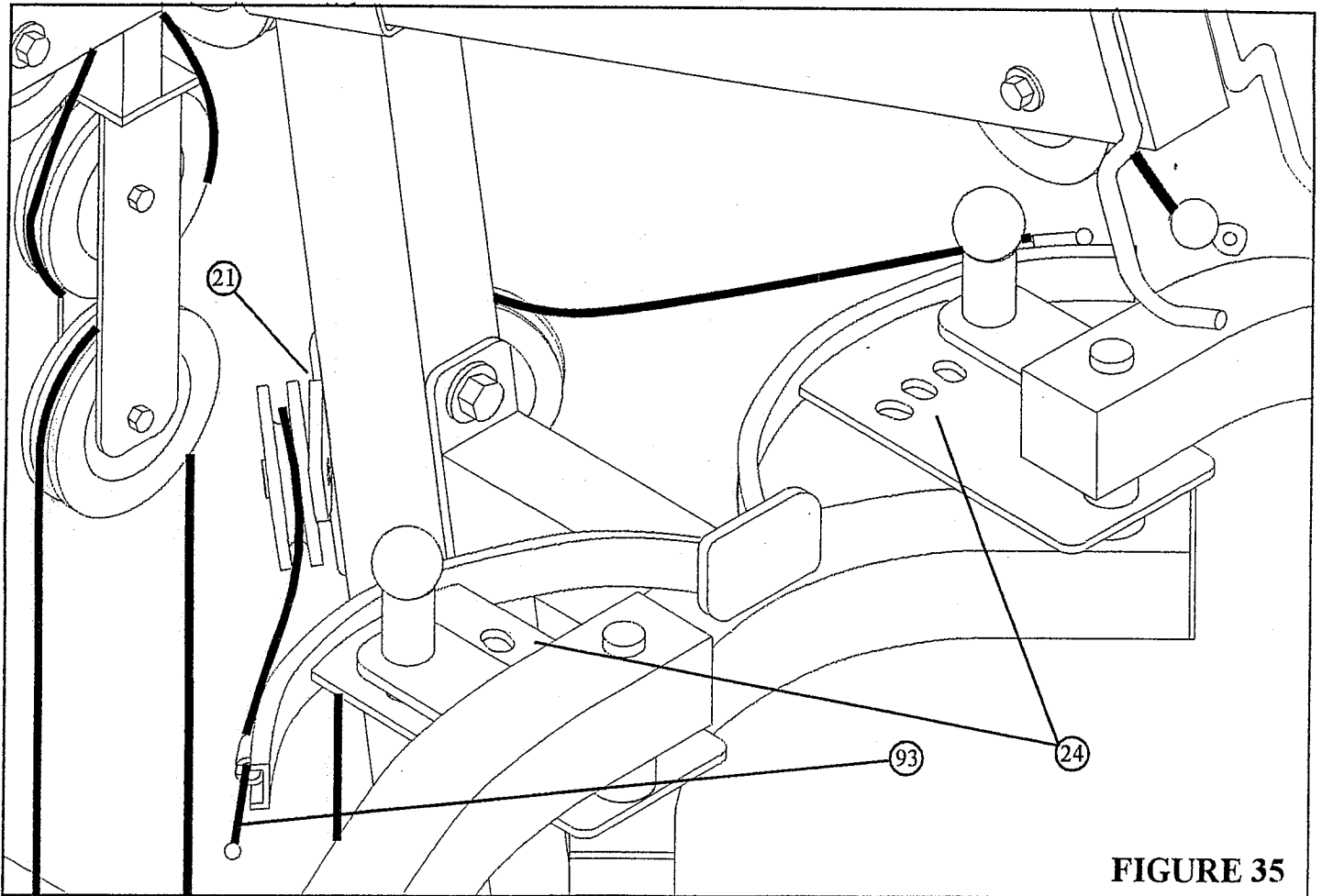
**FIGURE 33**





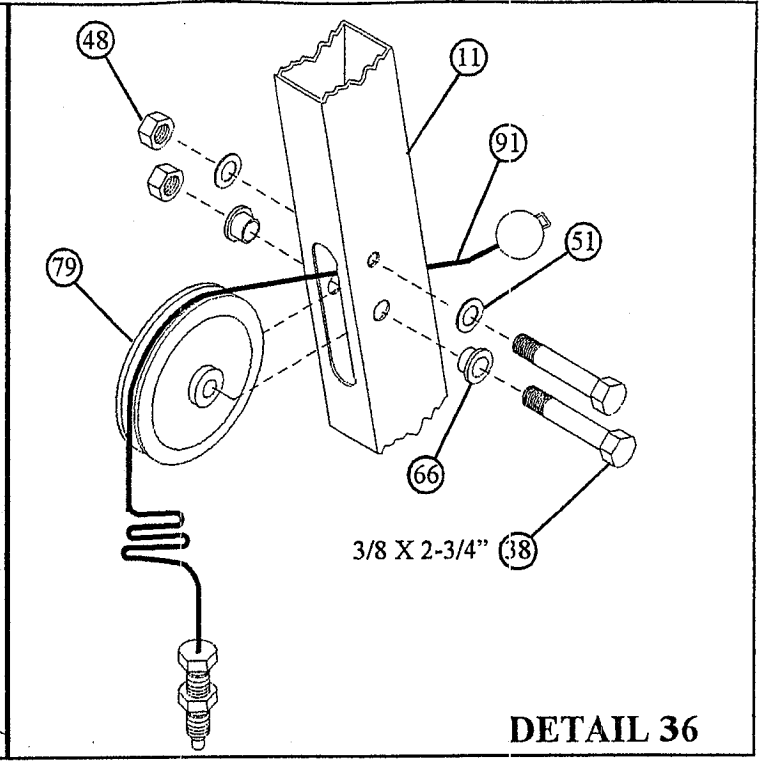
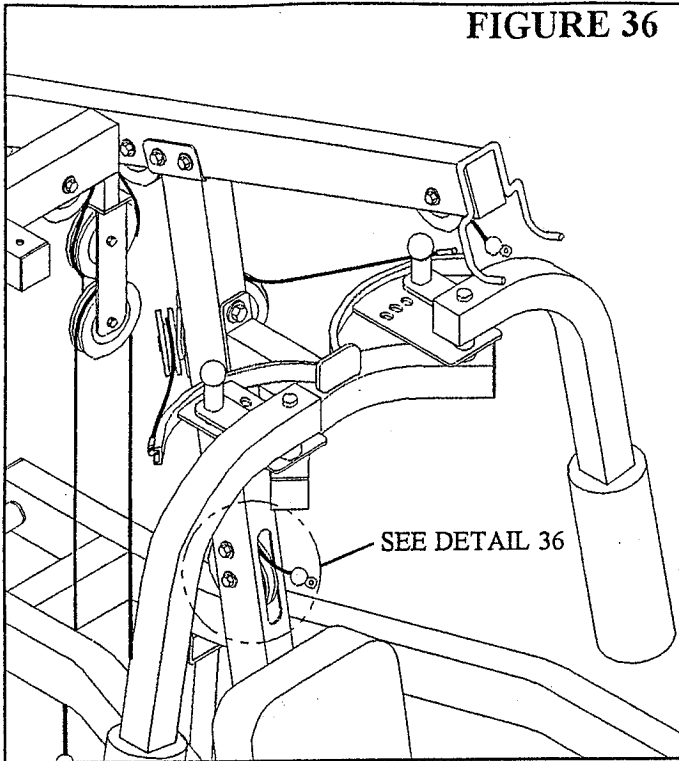
**STEP 34**

- Assemble one 3-1/2" PULLEY (79) around the PEC DEC CABLE (93) and to the PULLEY BRACKET (5) using one 3/8 X 1-3/4" BOLT (36) and one 3/8" LOCKNUT (48) as shown in FIGURE 34.



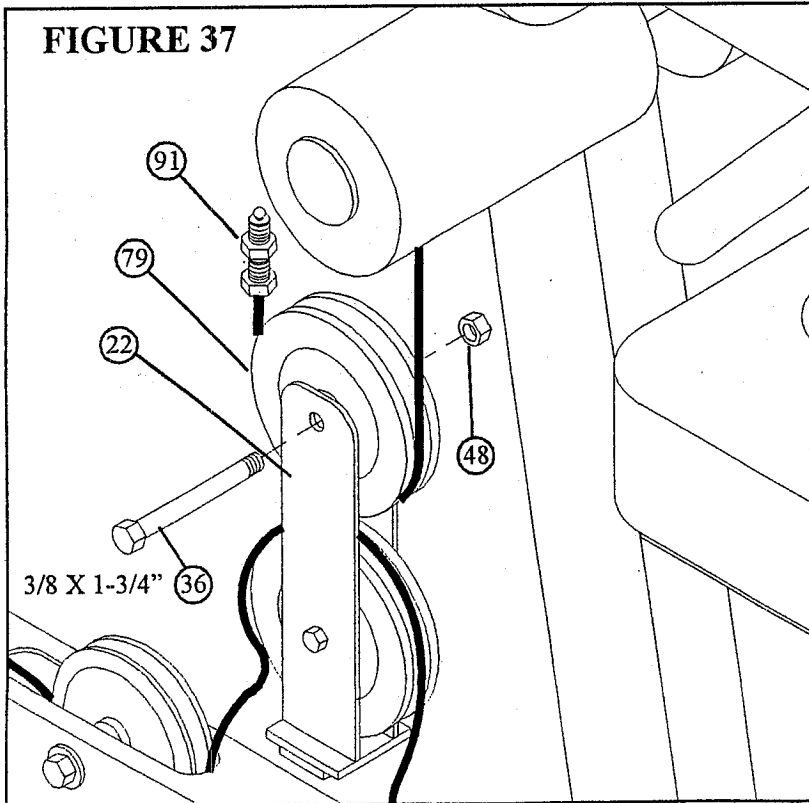
**STEP 35**

- Slide the ends of the PEC DEC CABLE (93) into the bushings on the PEC CAMS (24) as shown on FIGURE 35.
- Lay the PEC DEC CABLE (93) over the pulleys and under the cable retaining clips in the CENTER PULLEY BRACKET (21) as shown in FIGURE 35. (NOTE: The bolt holding pulley and cable retaining clips may need to be loosened to align cable retaining clips with cable.)



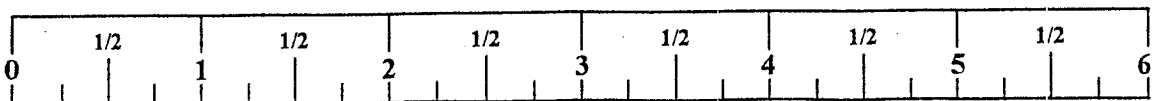
**STEP 36**

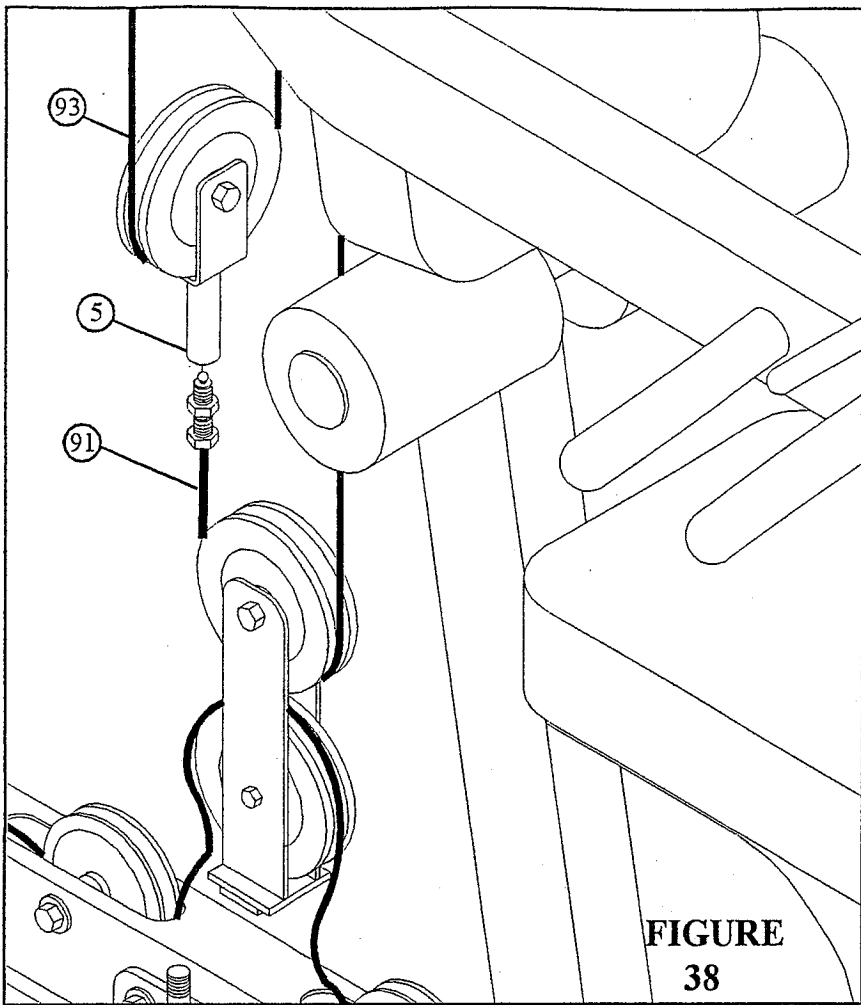
- Securely assemble the ball end of the AB CABLE (91) and one 3-1/2" PULLEY (79) to the FRONT UPRIGHT (11) using two 3/8 X 2-3/4" BOLTS (38), two 3/8" FLANGE SPACERS (66), two 3/8" WASHERS (51), and two 3/8" LOCKNUTS (48). (NOTE: The AB CABLE (91) should be routed underneath the retaining bolt as shown in DETAIL 36.)



**STEP 37**

- Route threaded end of AB CABLE (91) around 3-1/2" PULLEY (79) while assembling one 3-1/2" PULLEY (79) to the lower FLOATING PULLEY BRACKET (22) using one 3/8 X 1-3/4" BOLT (36) and one 3/8" LOCK-NUT (48) as shown in FIGURE 37.





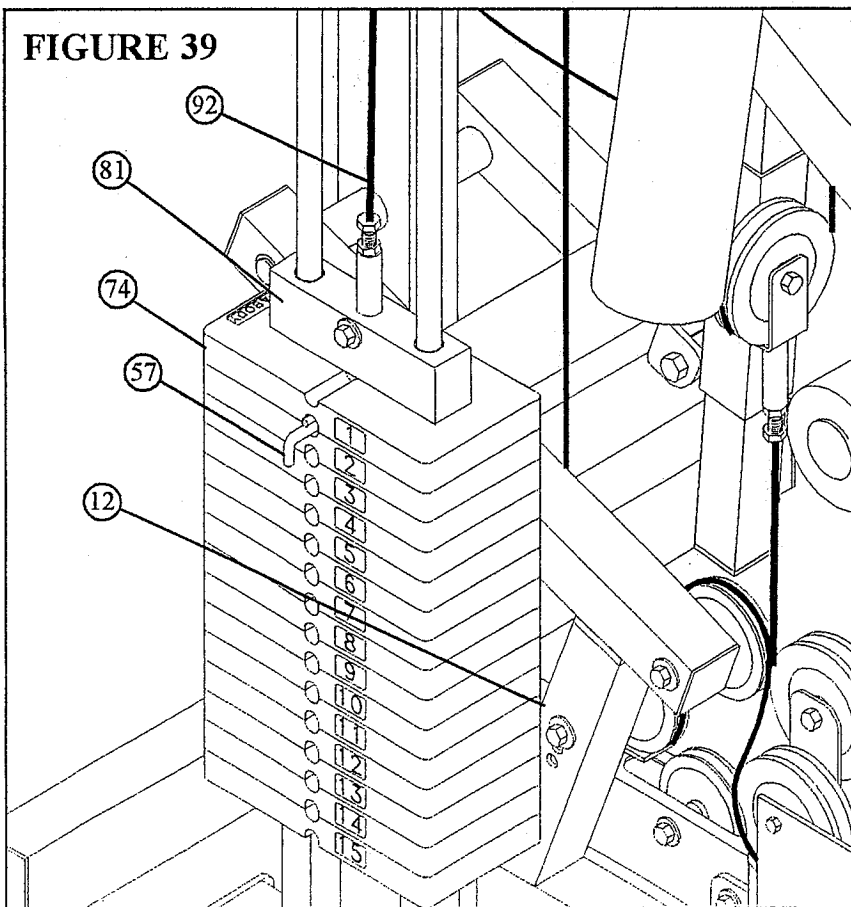
**FIGURE**  
**38**

**STEP 38**

- Screw the threaded end of AB CABLE (91) approximately 3/4" into the end of the PULLEY BRACKET (5) and tighten jam nut securely as shown in FIGURE 38.
- **IMPORTANT!** Make sure the cables are running in the grooves of all pulleys.

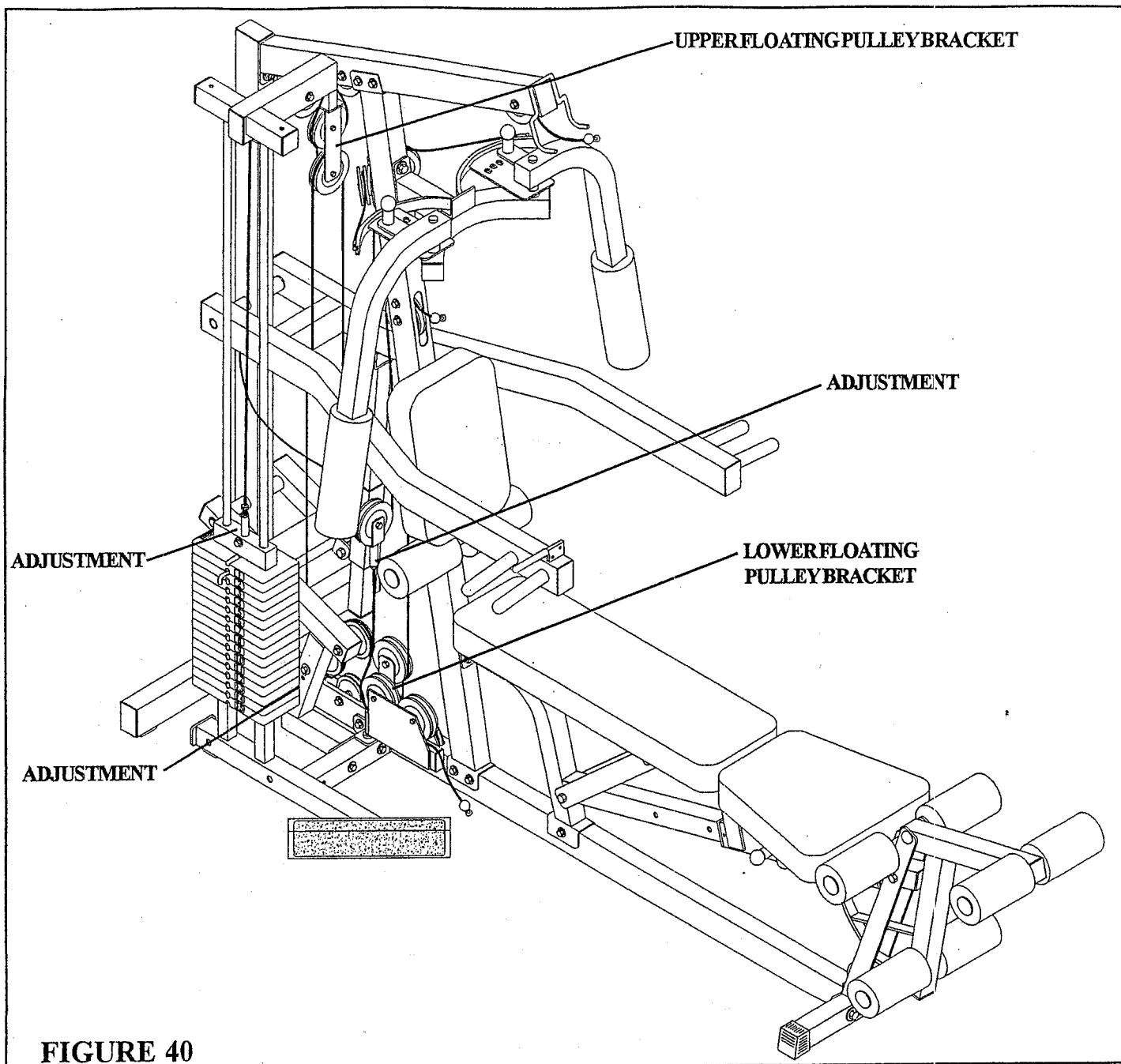
**CABLE ADJUSTMENT**

For maximum performance, the HEAD PLATE should just barely sit on the top WEIGHT PLATE and the UPPER FLOATING PULLEY BRACKET should firmly contact the PLATE on the TOPBOOM, and the LOWER FLOATING PULLEY BRACKET should firmly contact the BASE.



**FIGURE 39**

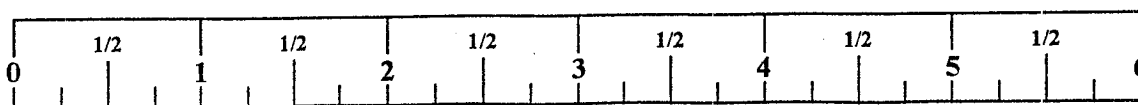
- The following adjustments can be made to adjust the cable tension:
- If upon completion of assembly, the HEAD PLATE (81) does not sit on top of the first WEIGHT PLATE (74), push the HEAD PLATE (81) down, insert the WEIGHT STACK PIN (57) and perform several repetitions at the press station. This will relax the cable system and prevent the HEAD PLATE (81) from lifting up.
- If after completing previous step, the HEAD PLATE (81) still does not sit on top of the first WEIGHT PLATE (74) or if there is excess slack in the cable system, adjust the threaded end of the LAT CABLE (92) accordingly and retighten the jam nut.
- If there is excess slack in the LEG CABLE, move the PULLEY attached to the LEVER STOP (12) down one hole.
- If there is excess slack in the AB or PEC DEC cable system, adjust the threaded end of the AB CABLE (91) accordingly and retighten the jam nut.
- **IMPORTANT!** Retighten both jam nuts when adjustment is completed.

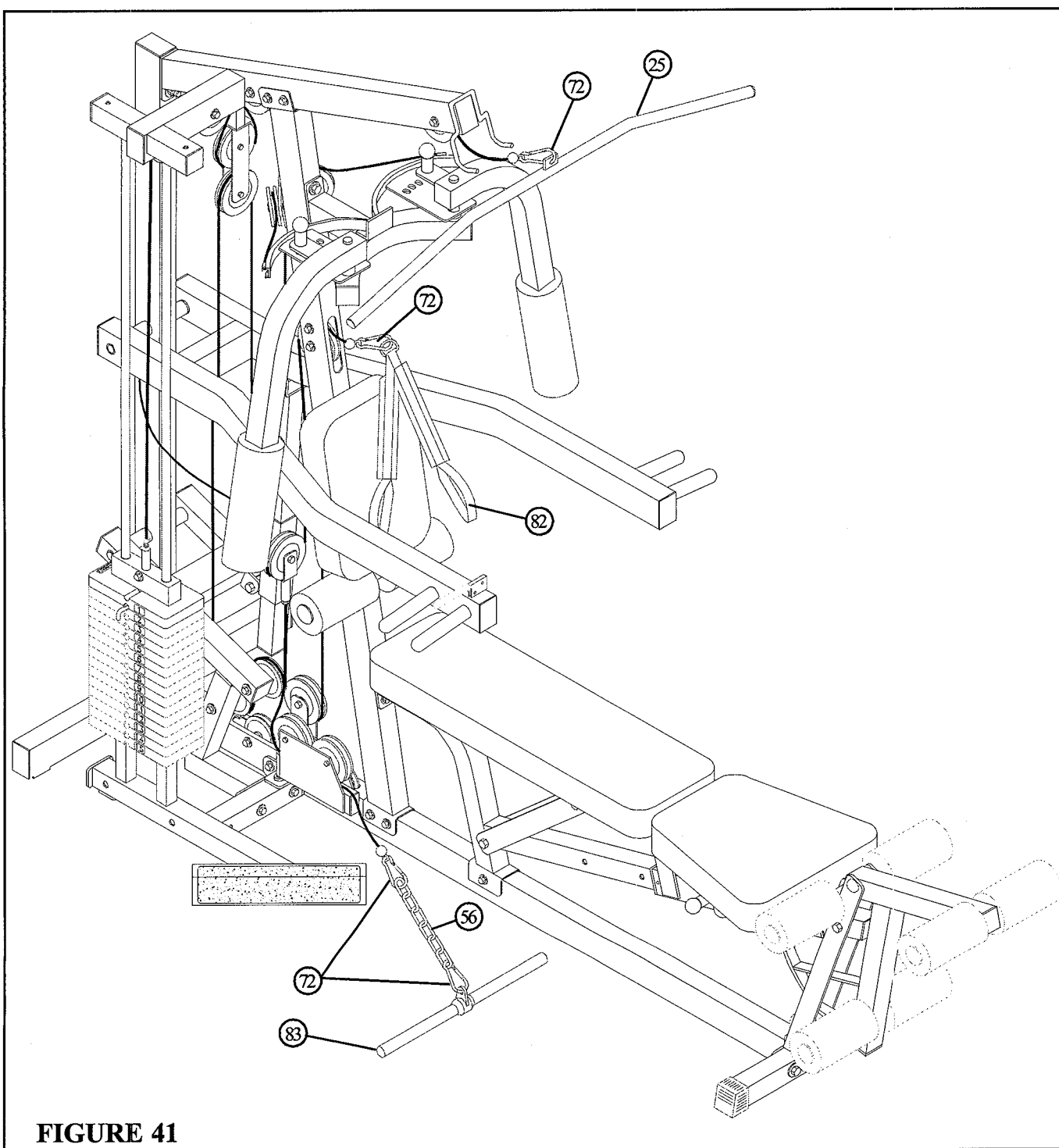


**FIGURE 40**

**STEP 40:**

- Adjustments can be made in the above locations to set the correct amount of tension in the cables.
- For maximum performance, the HEAD PLATE should just barely sit on the top WEIGHT PLATE and the UPPER FLOATING PULLEY BRACKET should firmly contact the end cap in the TOP BOOM, and the LOWER FLOATING PULLEY BRACKET should firmly contact the BASE.





**FIGURE 41**

**STEP 41**

- Attach the LAT BAR (25) to the ball end of cable using one 5/16" SNAP LINK (72).
- Attach the AB CRUNCH STRAP (82) to the ball end of cable using one 5/16" SNAP LINK (72).
- Attach the LOW ROW BAR to the ball end of cable using two 5/16" SNAP LINKS (72) and one CHAIN (56).

**Thank you for purchasing the Parabody 400102 Home Gym. If unsure of proper use of equipment, call your local Parabody distributor or call the Parabody customer service department at (800) 328-9714.**