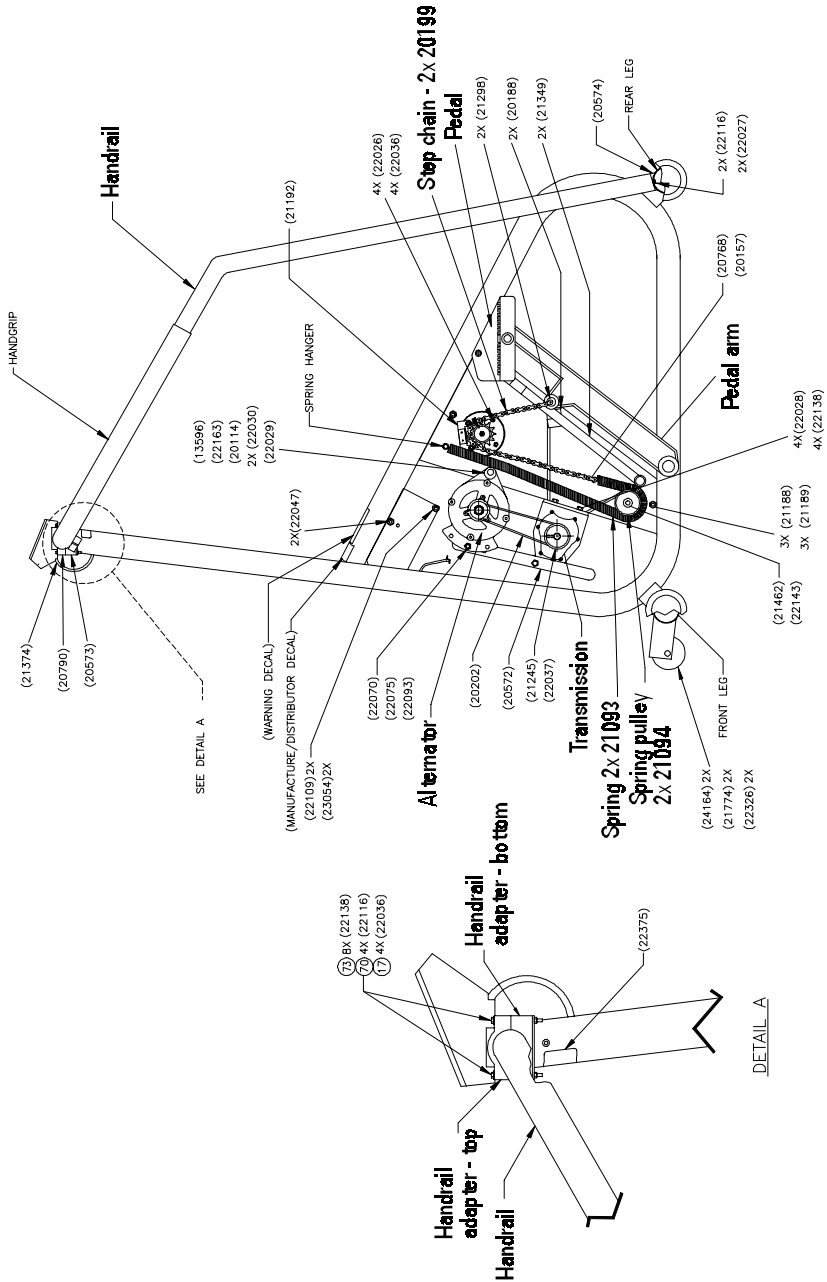


Figure 6: Final Assembly, Left Side



FIGURES

Figure 7: Final Assembly, Right Side

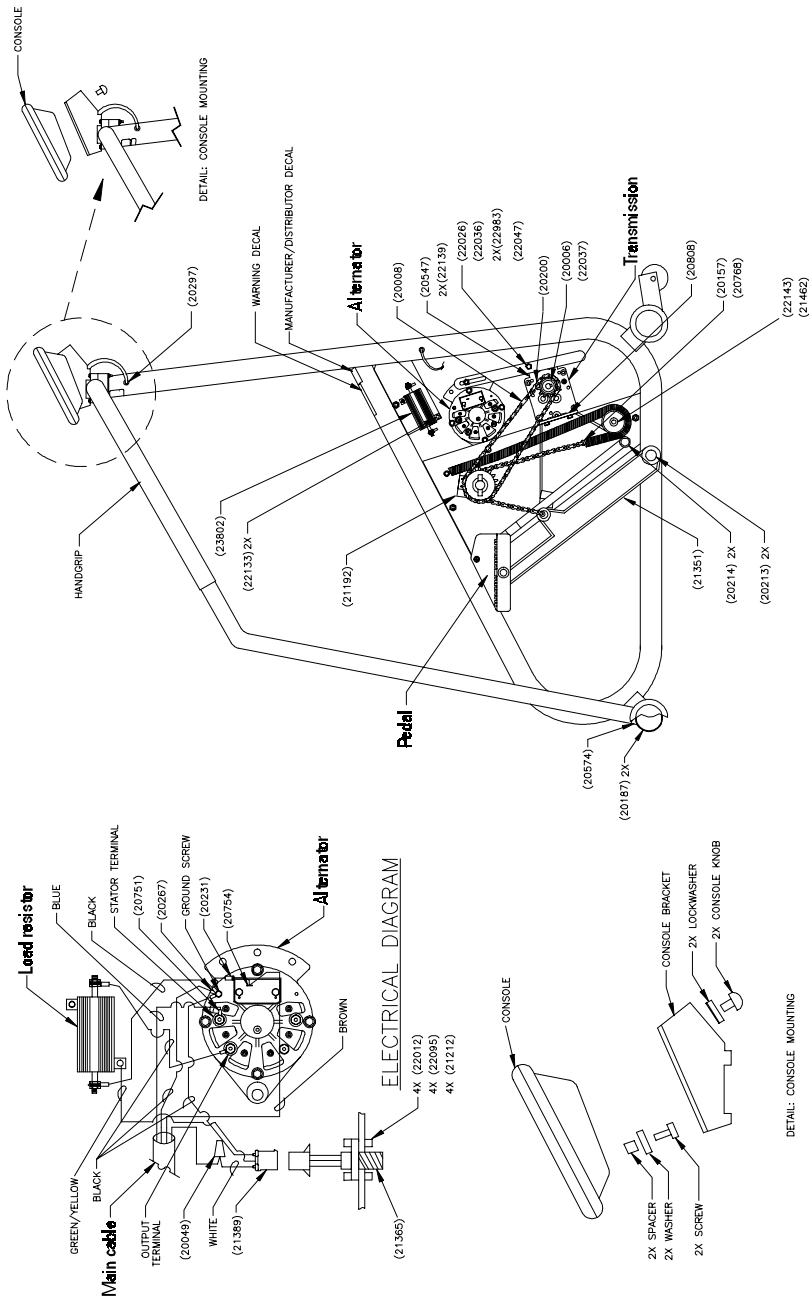
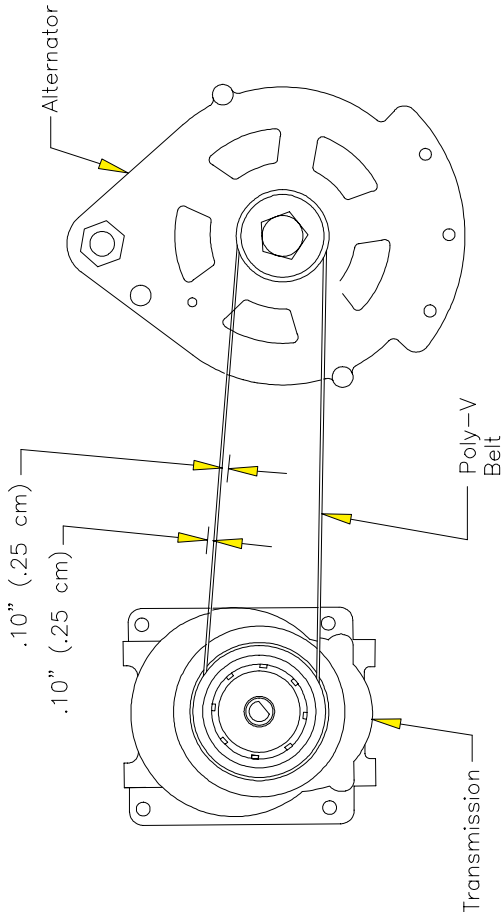


Figure 8: Belt Tension



FIGURES

Figure 9: Drive Hub Assembly

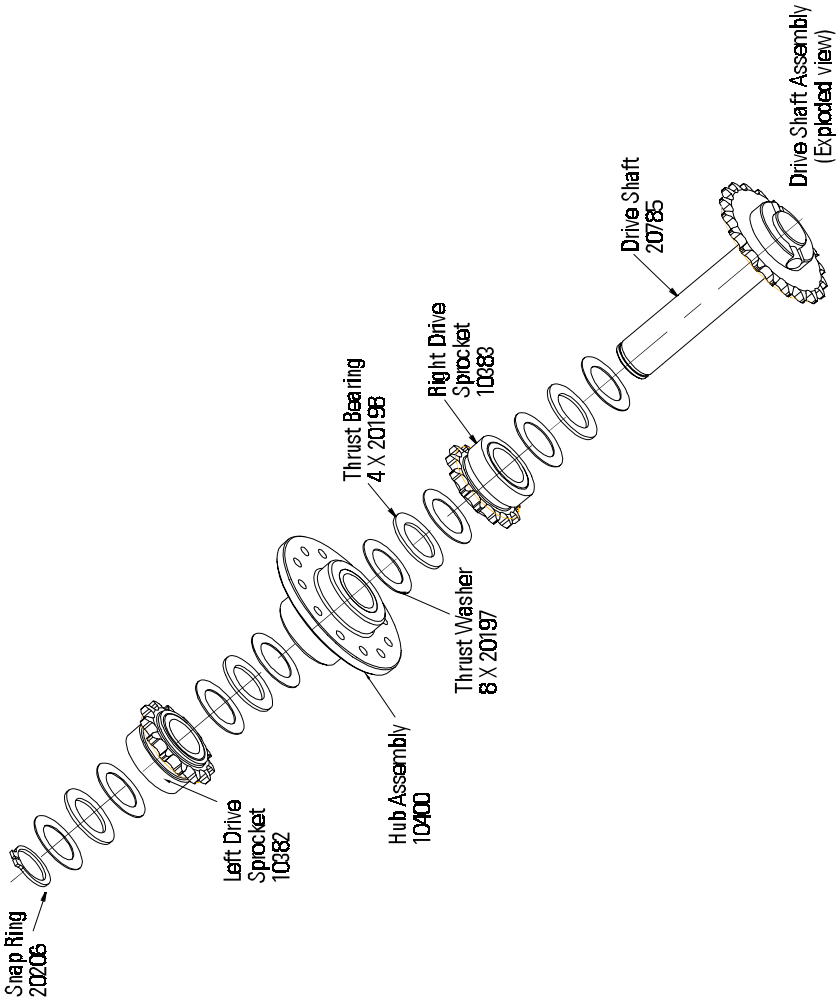


Figure 10: Drive Chain Tensioning

