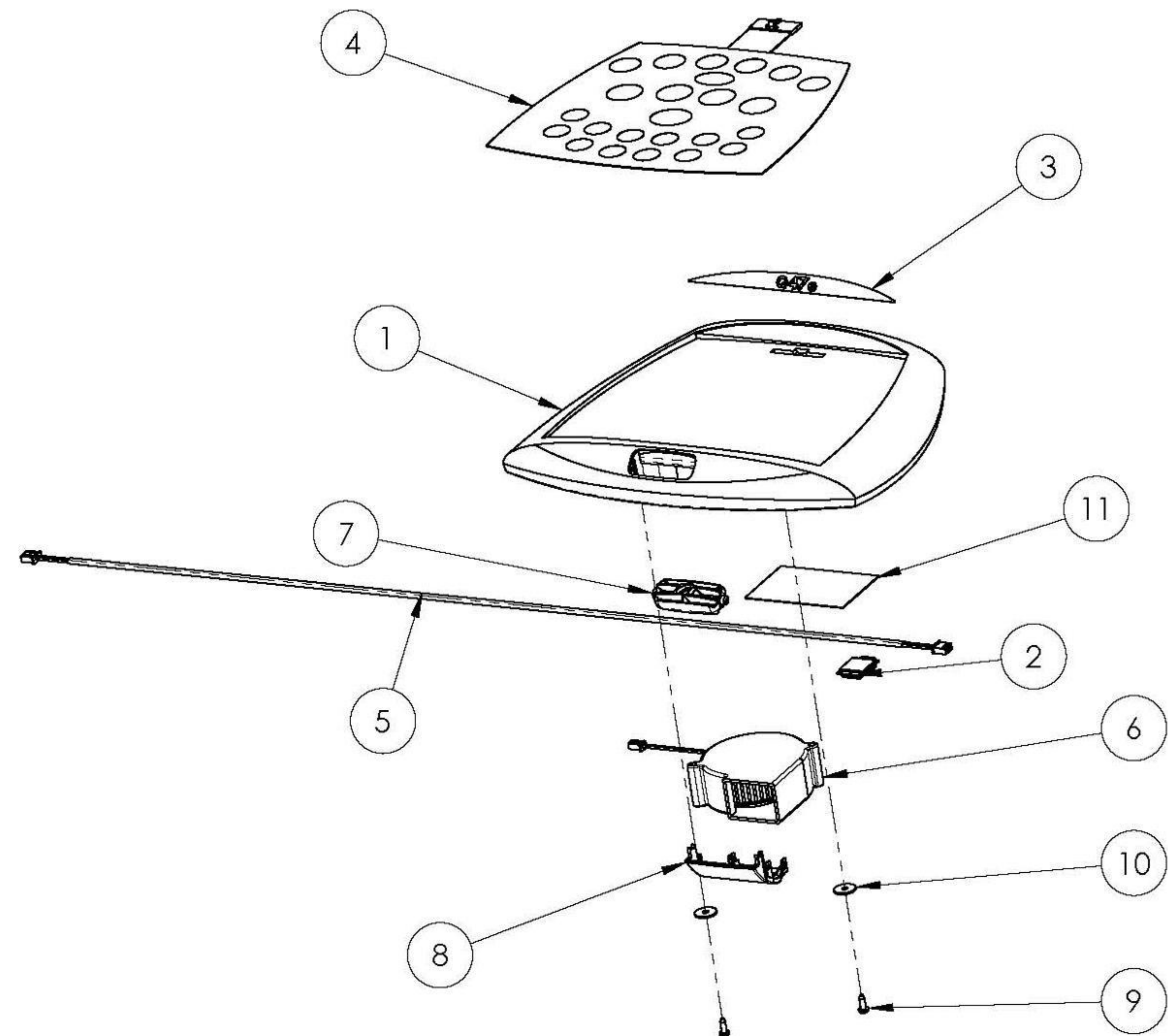
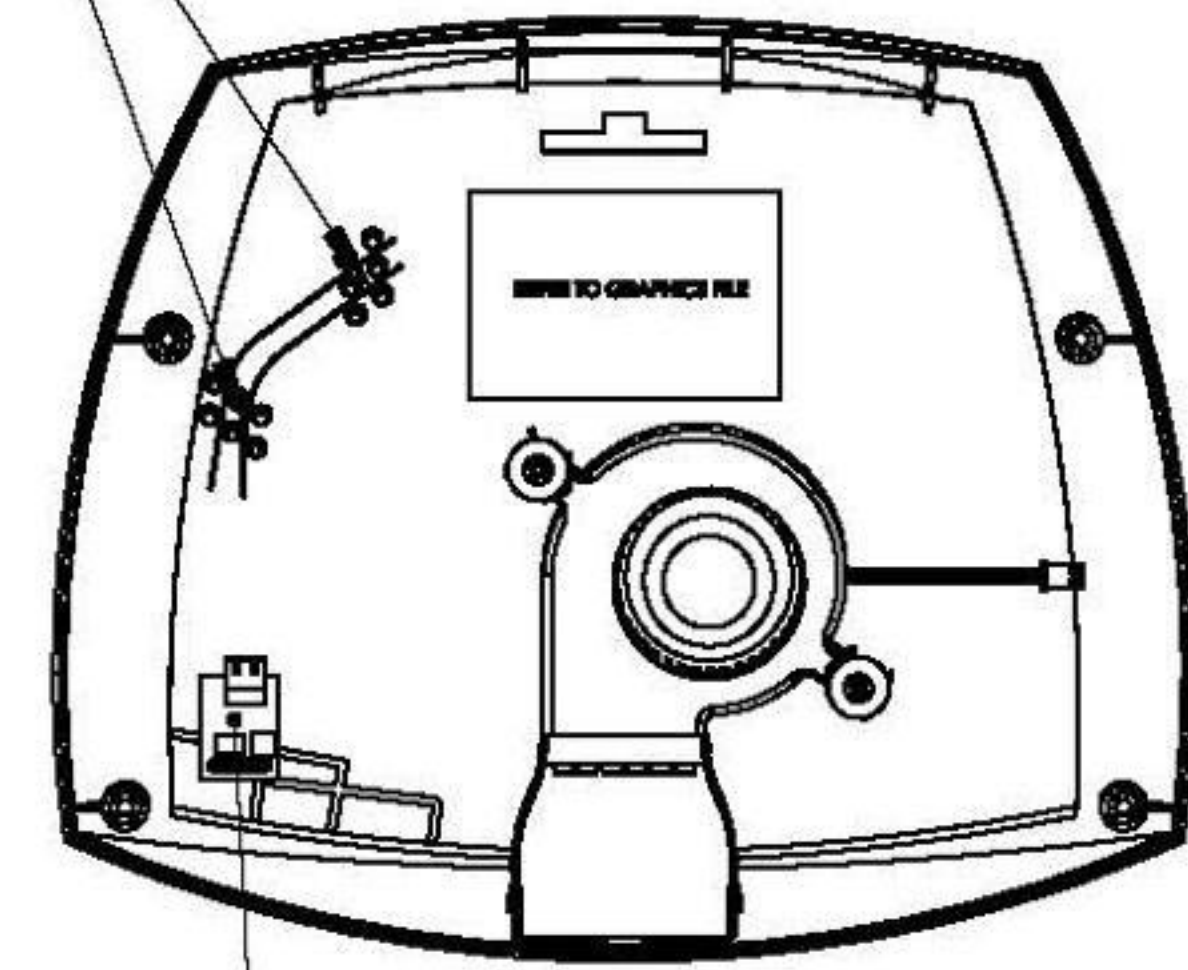


THE INFORMATION CONTAINED IN THIS DRAWING IS THE SOLE PROPERTY OF OCTANE FITNESS. ANY REPRODUCTION IN PART OR WHOLE WITHOUT THE WRITTEN PERMISSION OF OCTANE FITNESS IS PROHIBITED.

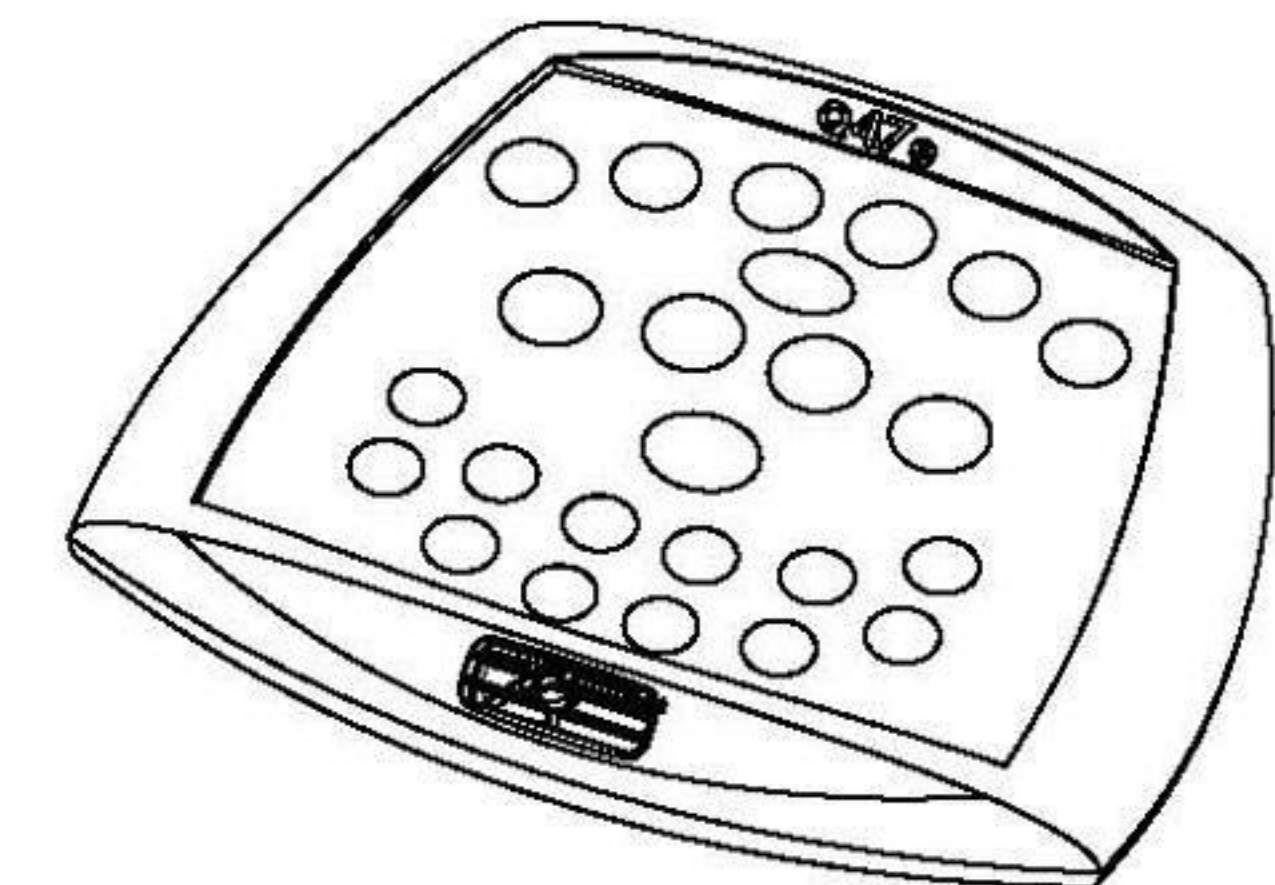
REV	DESCRIPTION	ECO #	DATE	ENG
A	RELEASE FOR PRODUCTION	001-00-014776	7/14/2008	PRS
B	MODIFIED HEART RATE BOARD LOCATION	001-00-014826	10/31/2008	PRS
C	ADDED GERMAN, FRENCH, SPANISH, AND DUTCH CONFIGURATIONS TO DRAWING.	001-00-014843	2/25/2009	BHG



ROUTE ITEM 5 THROUGH BOTH SETS OF POSTS



LOCATE ITEM 2, HEART RATE BOARD, IN THIS POSITION AND ORIENTATION



ITEM NO.	PART NUMBER	DESCRIPTION	Default/QTY.
1	101882-001	COVER, FAN KEYPAD	1
2	102989-001	CIRCUIT BOARD ASSEMBLY, POLAR HR	1
3	101783-001	LABEL, MODEL Q47E	1
4	103024-001	KEYPAD, DELUXE Q47, 2008	1
5	102913-001	CABLE ASSEMBLY, HR-CONSOLE, POLAR	1
6	102001-001	FAN, 75MM X 30MM 24V	1
7	101884-001	VENT, AIR DEFLECTOR	1
8	101883-001	COVER, DUCT, FAN KEYPAD	1
9	100913-001	SCREW, M3.5 X 1.3 X 10 TYPE B, TYPE 1 CROSS RECESS PAN HEAD, ST, BZ	2
10	102002-001	WASHER, 4 X 15 X 1.2, STEEL, BZ	2
11	102335-001	LABEL, Q47 CONSOLE CONNECTIONS	1

NOTES:
 1. OCTANE FITNESS ENGINEERING APPROVAL ON FIRST SAMPLES AND VENDOR INSPECTION REPORT REQUIRED PRIOR TO PRODUCTION FROM NEW OR REVISED TOOLING.

UNLESS OTHERWISE SPECIFIED DIMENSIONS ARE IN MILLIMETERS TOLERANCES ARE: DECIMALS ANGLES .XX ±0.2 ±0.5° .XXX ±0.1	CAD GENERATED DRAWING, DO NOT MANUALLY UPDATE		OCTANE FITNESS <i>Fuel Your Life</i>	
	APPROVALS	DATE		
MATERIAL SEE NOTES	DRAWN	NRL	3/08/2007	PART DESCRIPTION ASSY, Q47 CNSL-DLX, KEYPAD, ENGLISH
	CHECKED	---	XX-XX-XX	
FINISH SEE NOTES	RESP ENG	---	XX-XX-XX	
	MFG ENG	---	XX-XX-XX	
DO NOT SCALE DRAWING	QUAL ENG	---	XX-XX-XX	SIZE B DWG. NO. 103023-001 REV. C SCALE 1:5 CAD FILE SHEET 1 OF 5